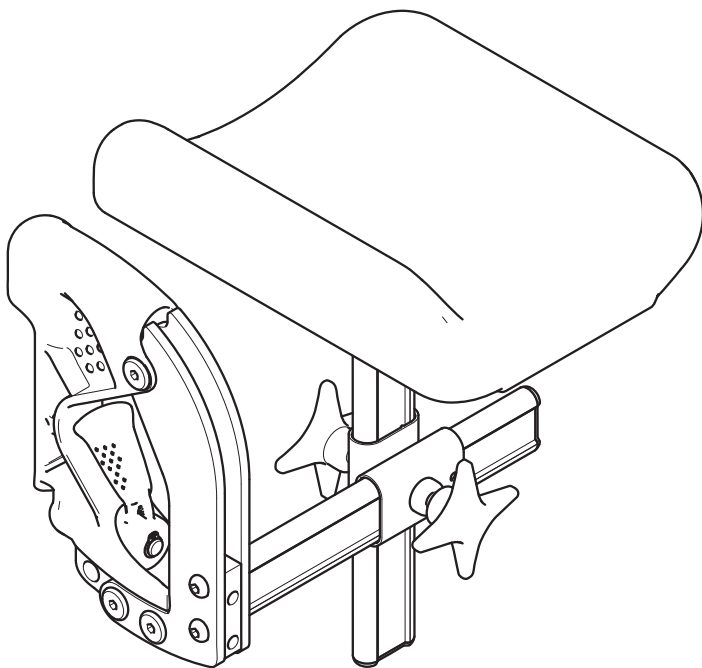


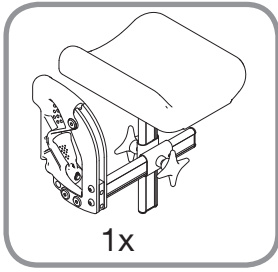
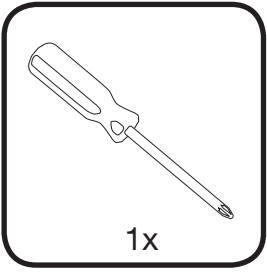
ASSEMBLY INSTRUCTION

Amputation support

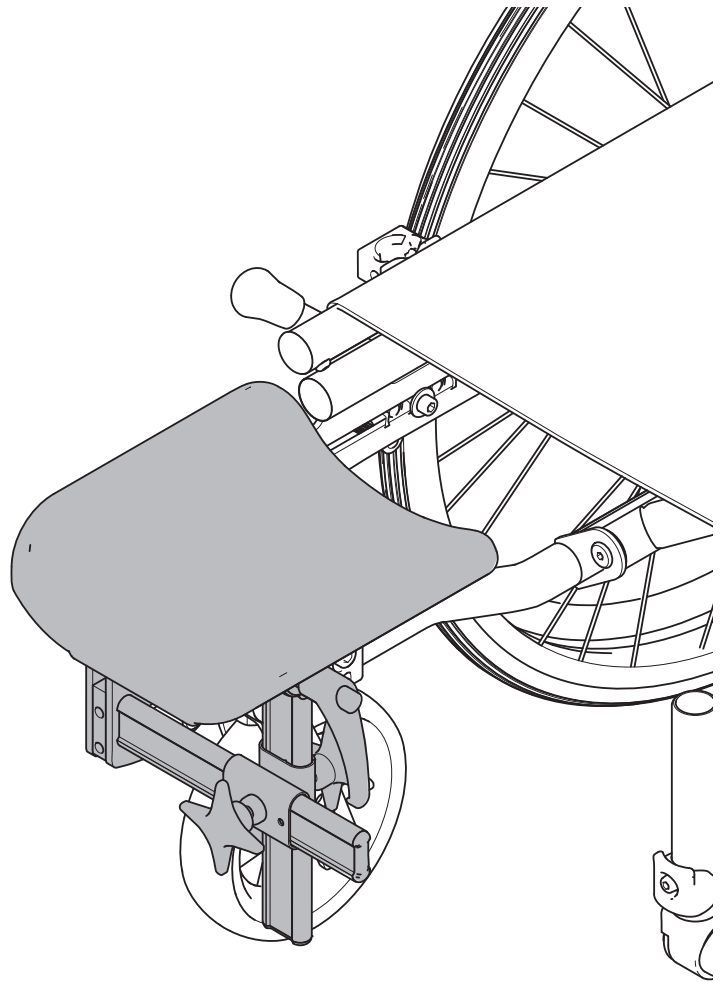
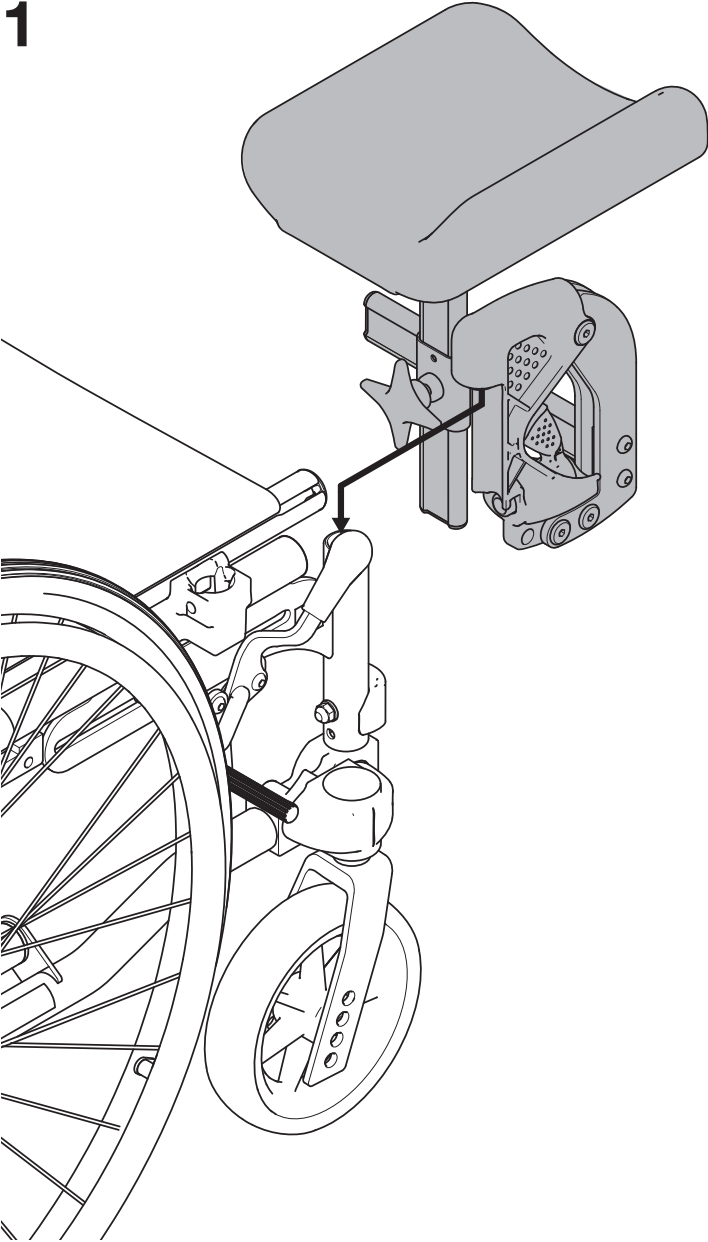


| Description | Article number |
|------------------------|----------------------------------|
| Amputation support RHS | <input type="checkbox"/> 3003640 |
| Amputation support LHS | <input type="checkbox"/> 3003641 |

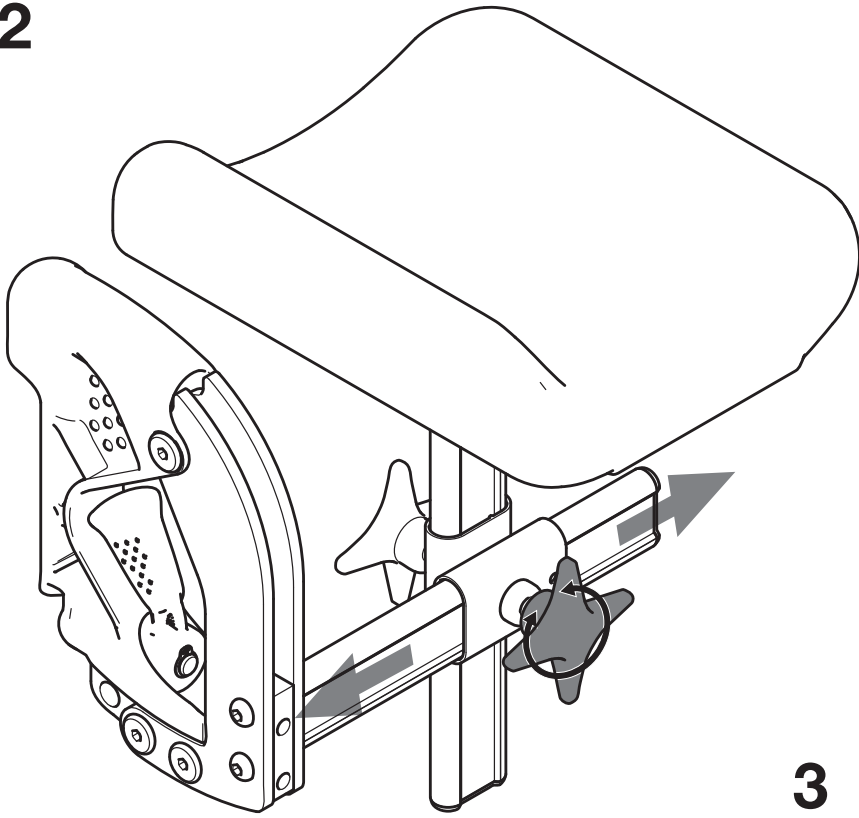




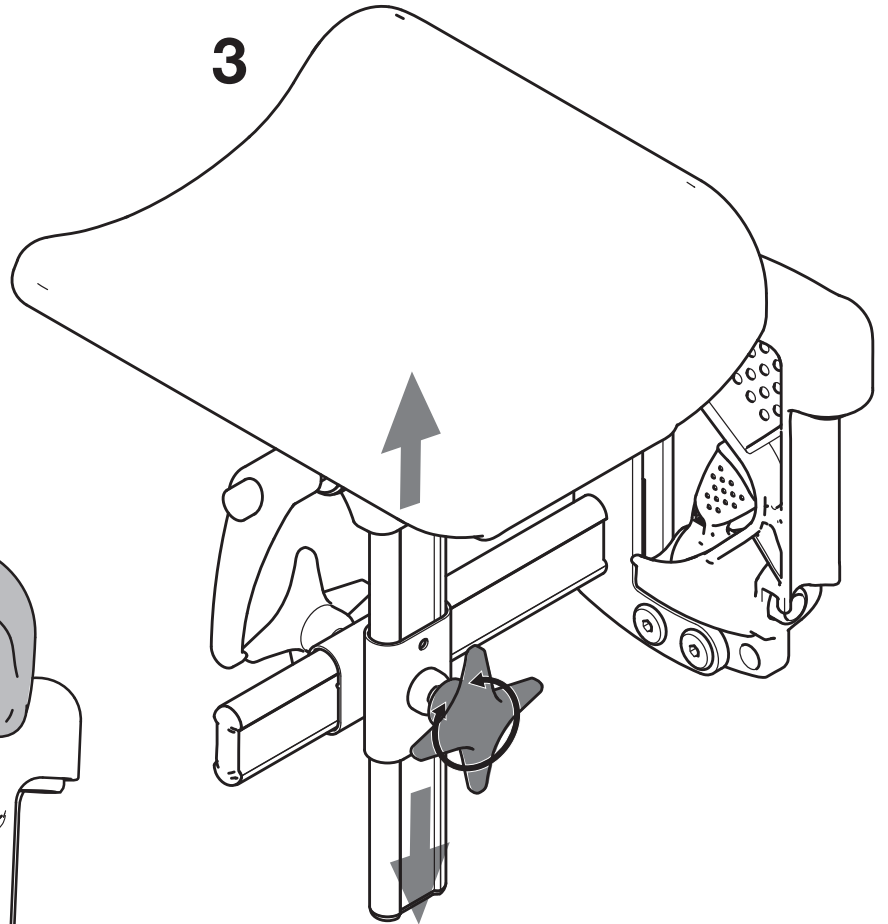
1



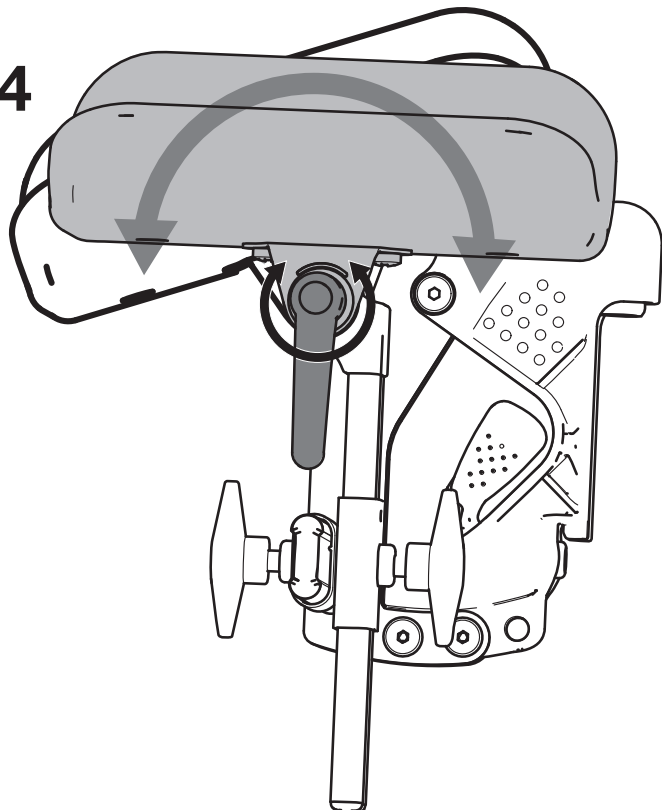
2



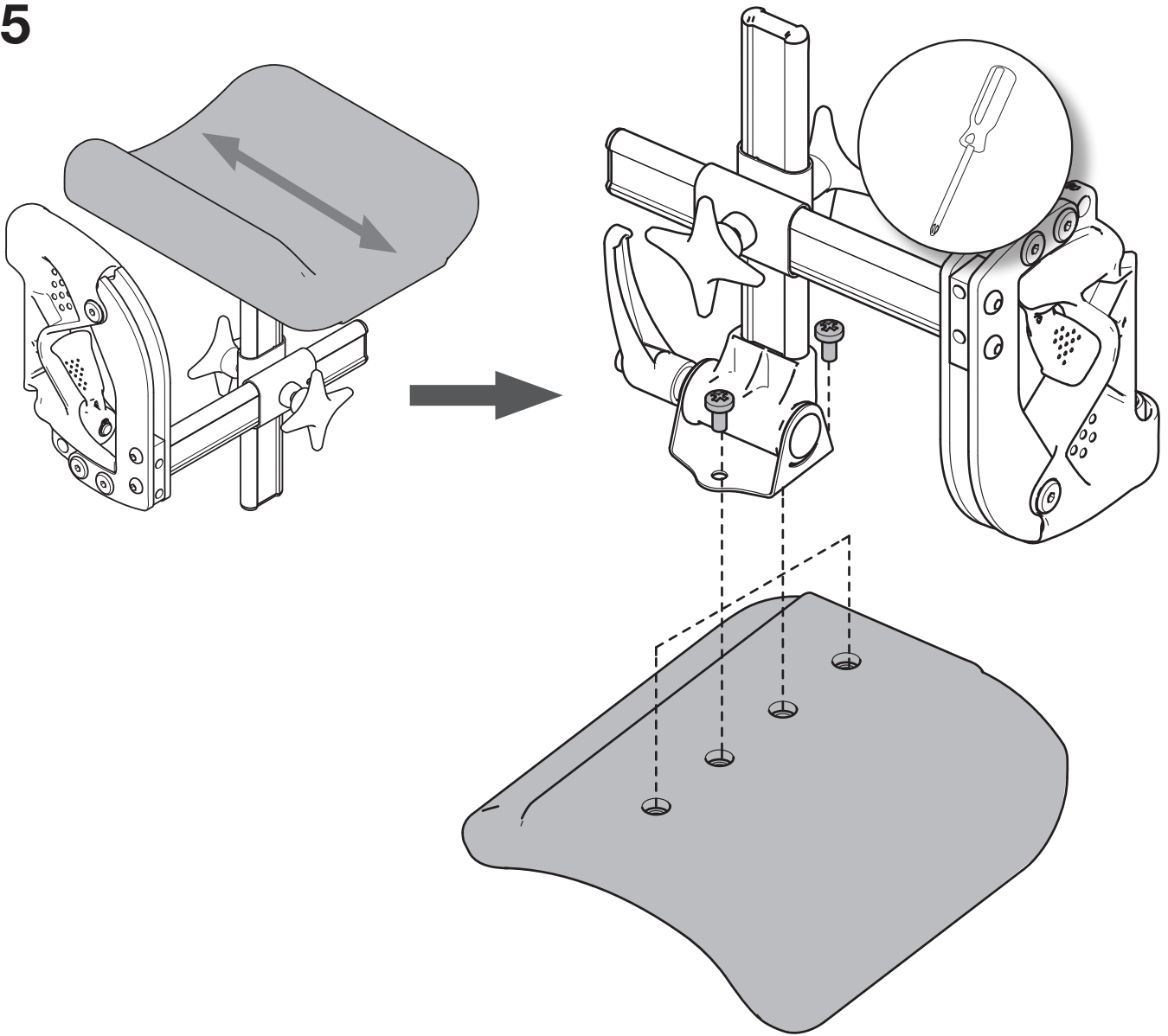
3



4



5



Sunrise Medical HCM B.V.
Vossenbeemd 104
5705 CL Helmond
The Netherlands

T: +31 (0)492 593 888
customerservice@sunrisemedical.nl
www.SunriseMedical.eu