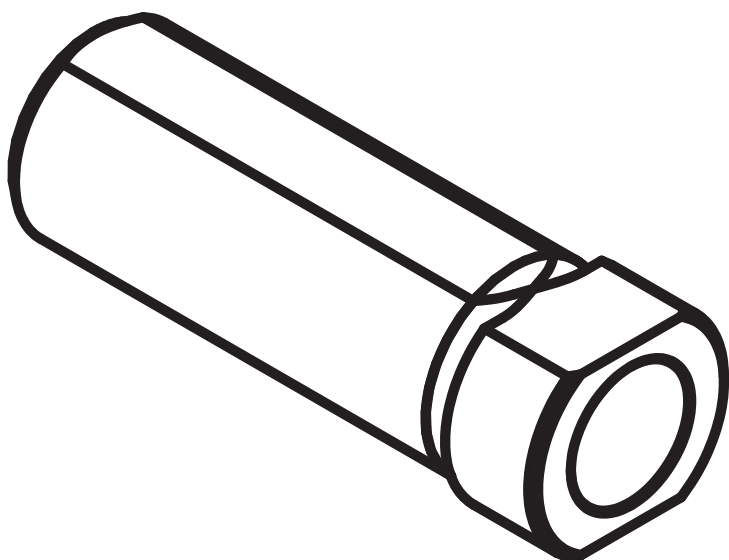


ASSEMBLY INSTRUCTION

Adapter for Quikc release Hylse for Quick release



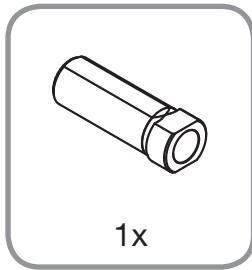
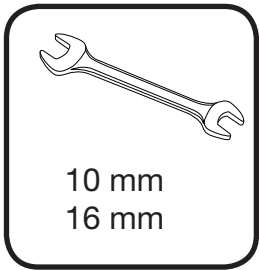
Description

Adapter for Quikc release One-tool / Hylse for Quick release One-tool

Article number

3307160





EN

- 1 Dismount the wheel. In order to remove the existing adapter for QR use a 27 mm wrench to loosen the nut with washer (A).
Pull the adapter for QR to position 1 or 5.
Use a 16 mm wrench to screw out the adapter for QR.
- 2 Repeat the procedure in reverse order to mount a new adapter for QR.



It is important to ensure that the pins in the wheel block go into the holes in the frame and that the casing lies horizontally in the track before tightening the nut.

NO

- 1 Ta av hjulet. Fjern eksisterende hjulhylse. Benytt en 27 mm fastnøkkel for å løsne mutteren med skive (A).

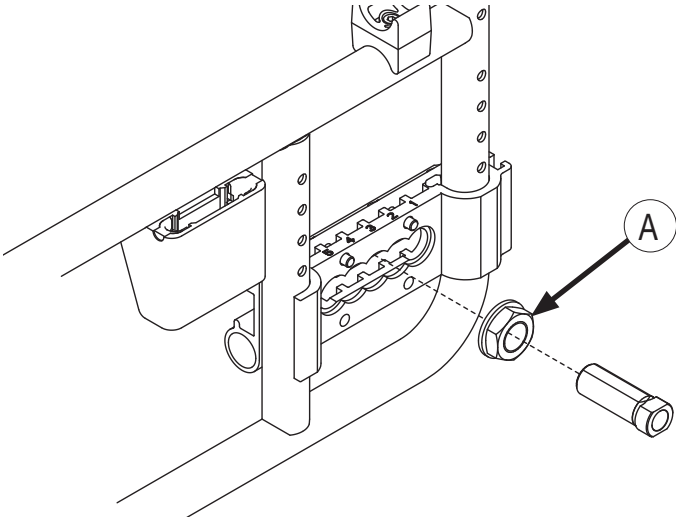
Dra hjulhylsen til posisjon 1 eller 5.

Benytt en 16 mm fastnøkkel for å skru ut selve hjulhylsen.
- 2 Gjenta prosedyren i motsatt rekkefølge for å montere ny hjulhylse.

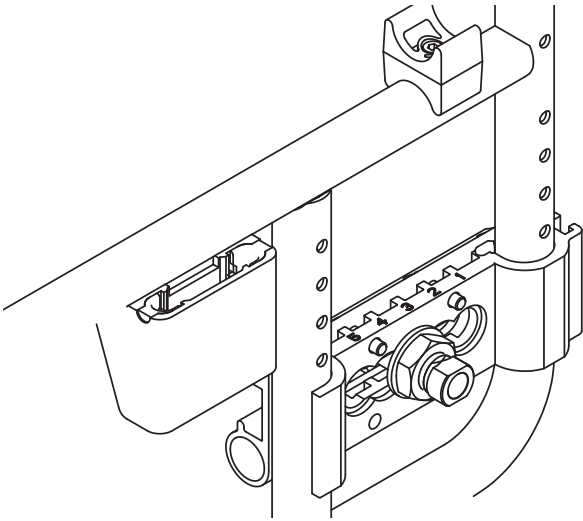


Det er viktig at tappene i hjulblokka går inn i hullene i rammen, og at hylsen legger seg ned i sporet før du trekker til mutteren

1



2





Sunrise Medical HCM B.V.
Vossenbeemd 104
5705 CL Helmond
The Netherlands

T: +31 (0)492 593 888
customerservice@sunrisemedical.nl
www.SunriseMedical.eu