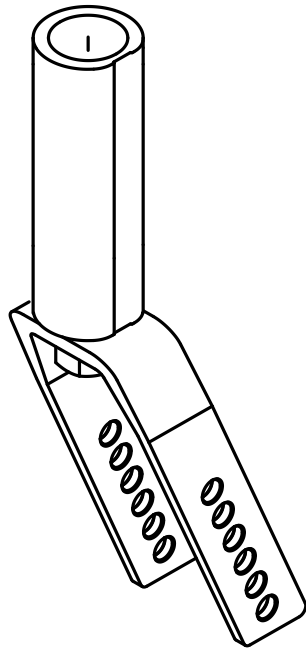


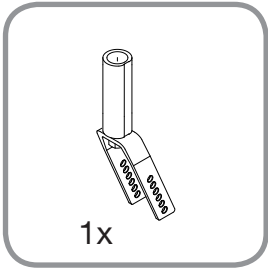
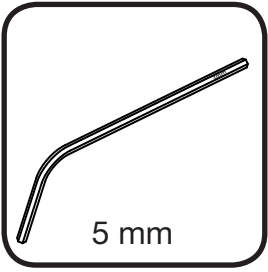
## ASSEMBLY INSTRUCTION

# Castor housing telescope with fork

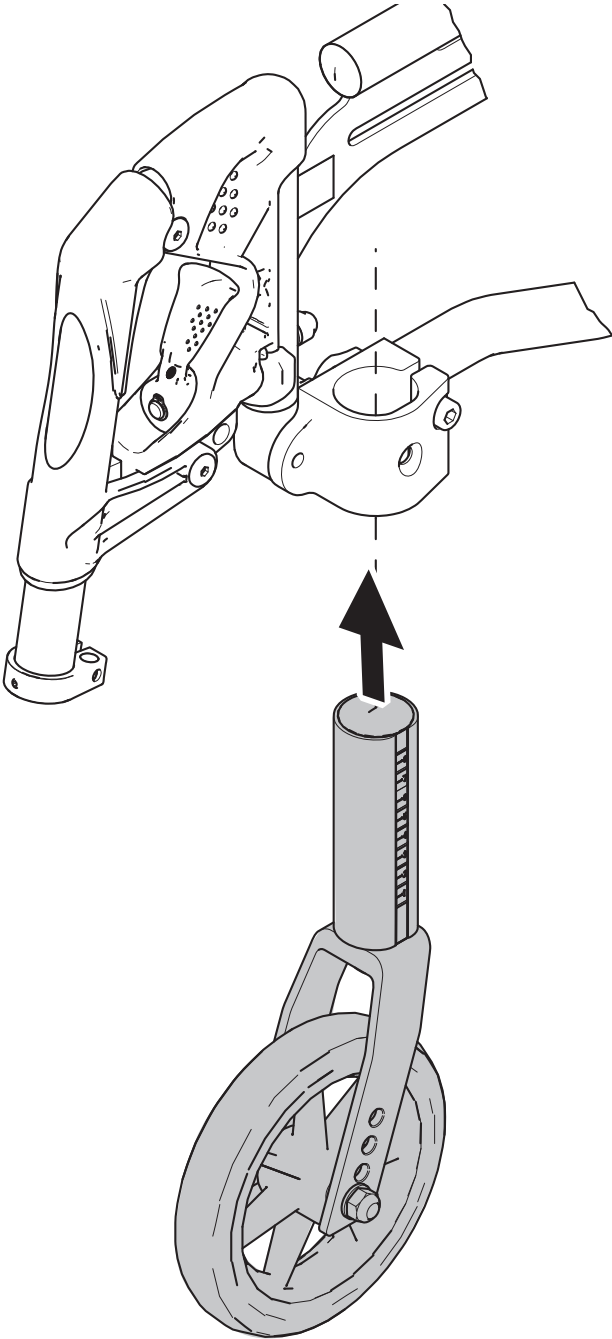


Description	Article number	
Castor housing telescopic with fork 92 mm	<input type="checkbox"/>	3307020
Castor housing telescopic with fork 120 mm	<input type="checkbox"/>	3307021
Castor housing telescopic with fork 146 mm	<input type="checkbox"/>	3307022
Castor housing telescopic with fork 146x60 mm	<input type="checkbox"/>	3307025

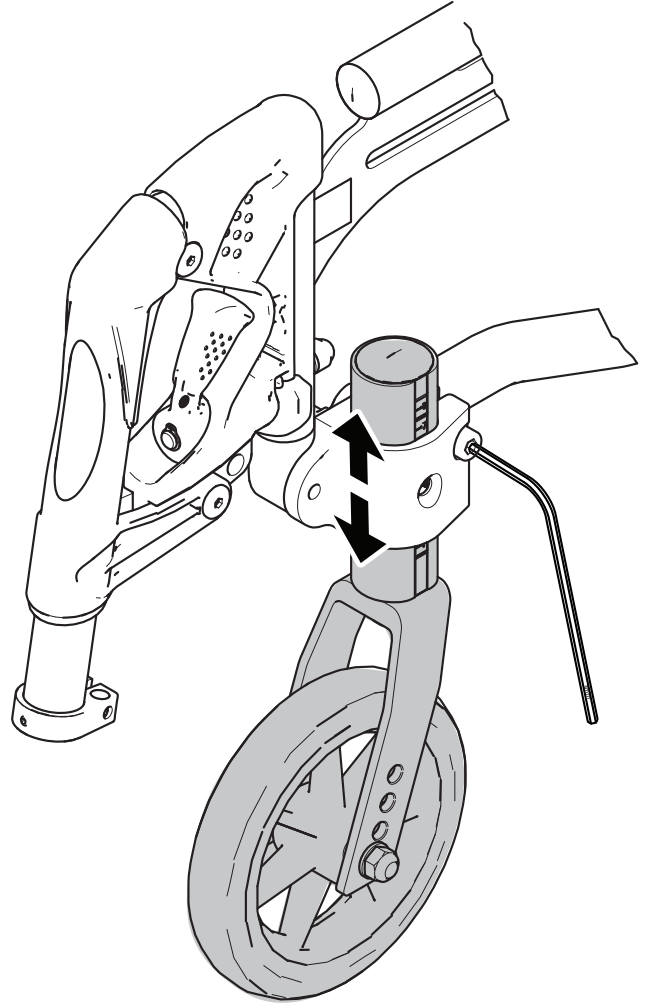




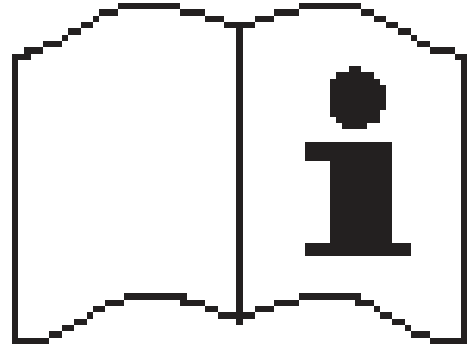
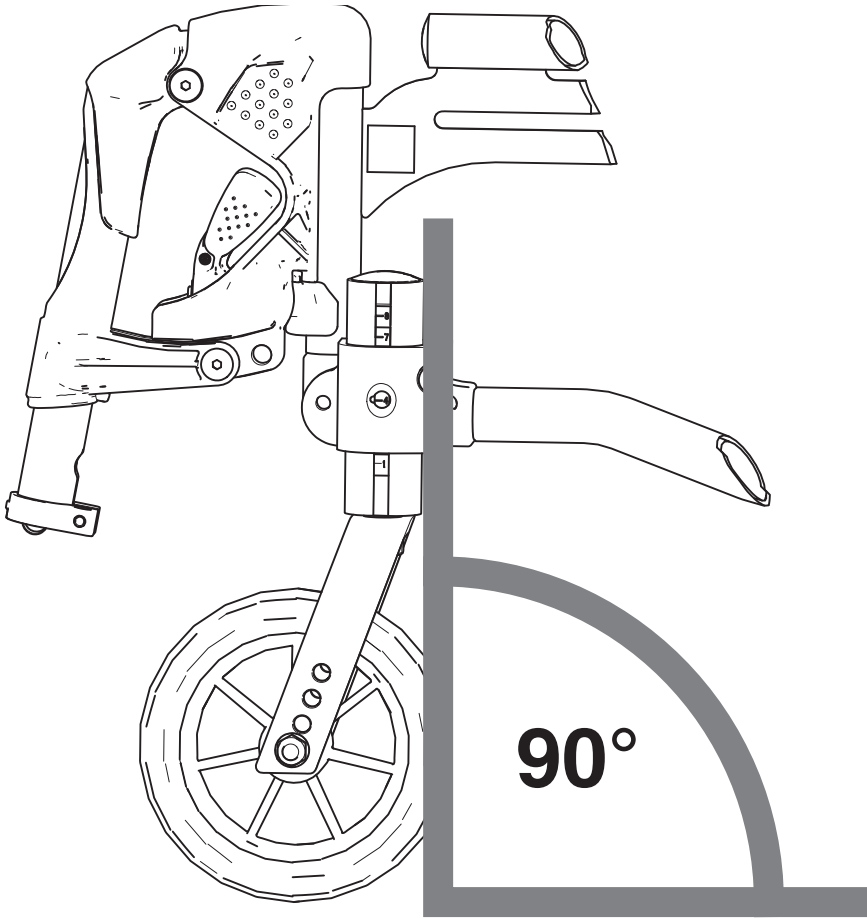
1



2



**3**



User manual



Sunrise Medical HCM B.V.  
Vossenbeemd 104  
5705 CL Helmond  
The Netherlands

T: +31 (0)492 593 888  
[customerservice@sunrisemedical.nl](mailto:customerservice@sunrisemedical.nl)  
[www.SunriseMedical.eu](http://www.SunriseMedical.eu)