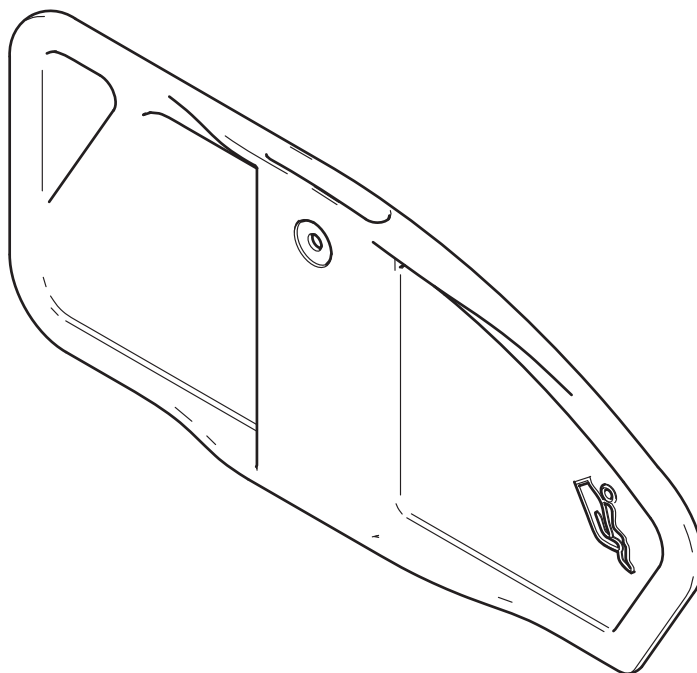


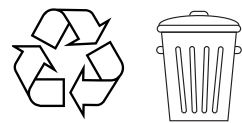
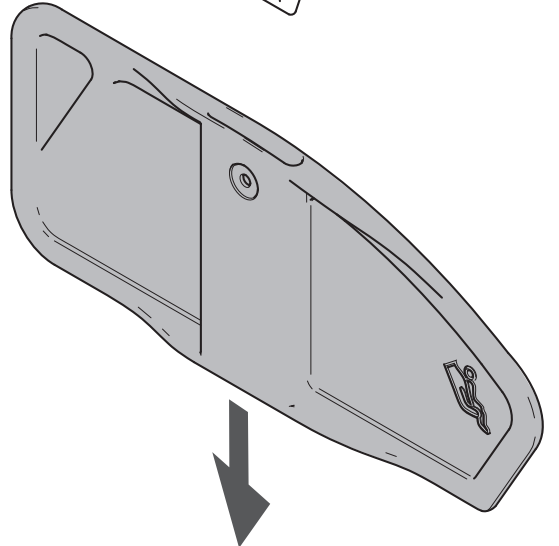
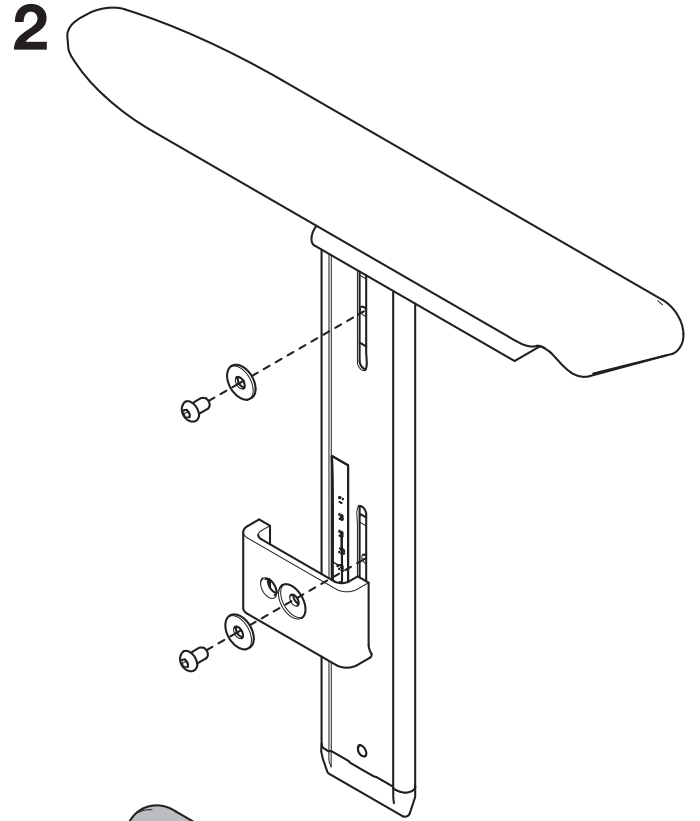
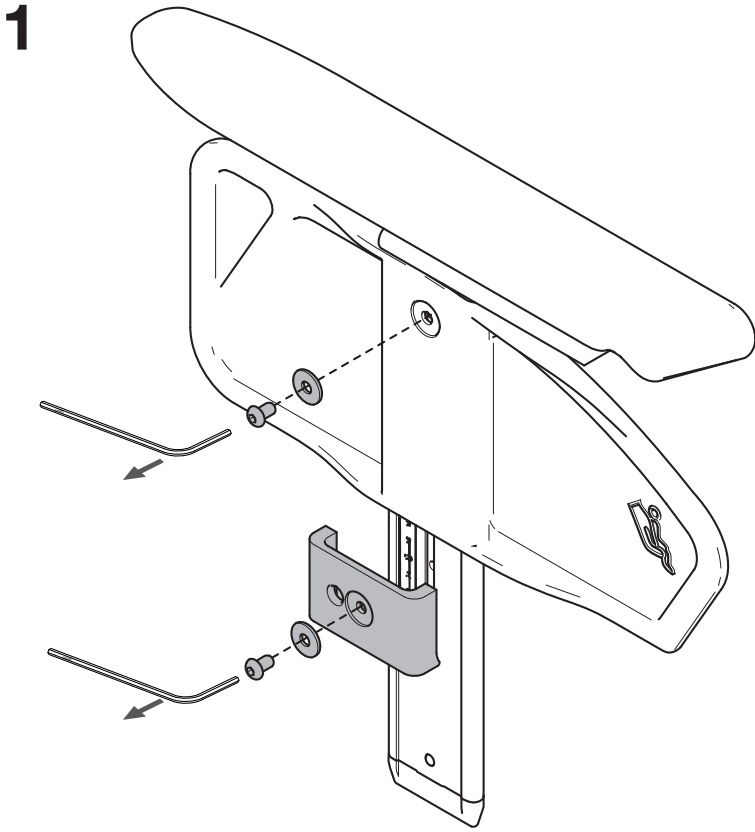
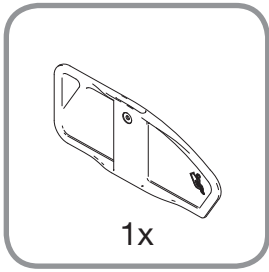
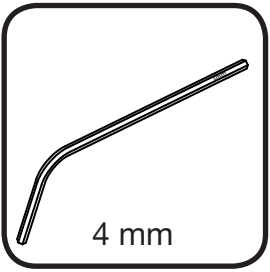
ASSEMBLY INSTRUCTION

Side guard

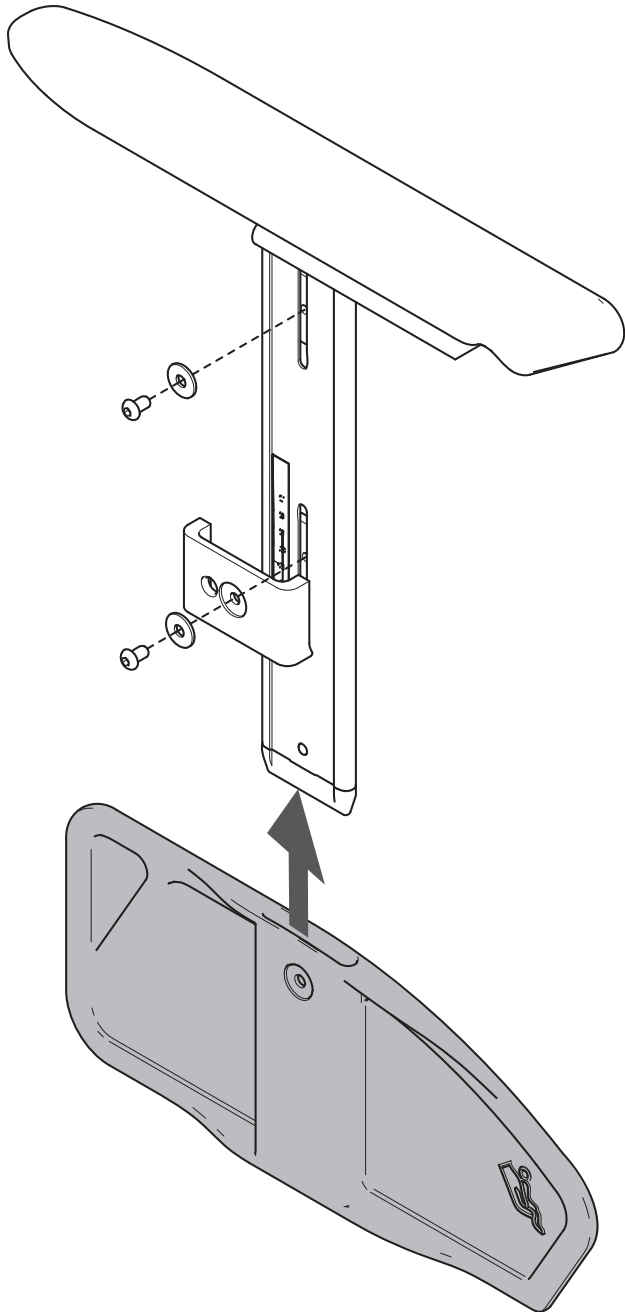
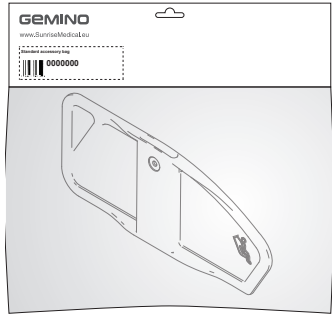


Description	Article number
Side guard RHS	<input type="checkbox"/> 3306210
Side guard LHS	<input type="checkbox"/> 3306211

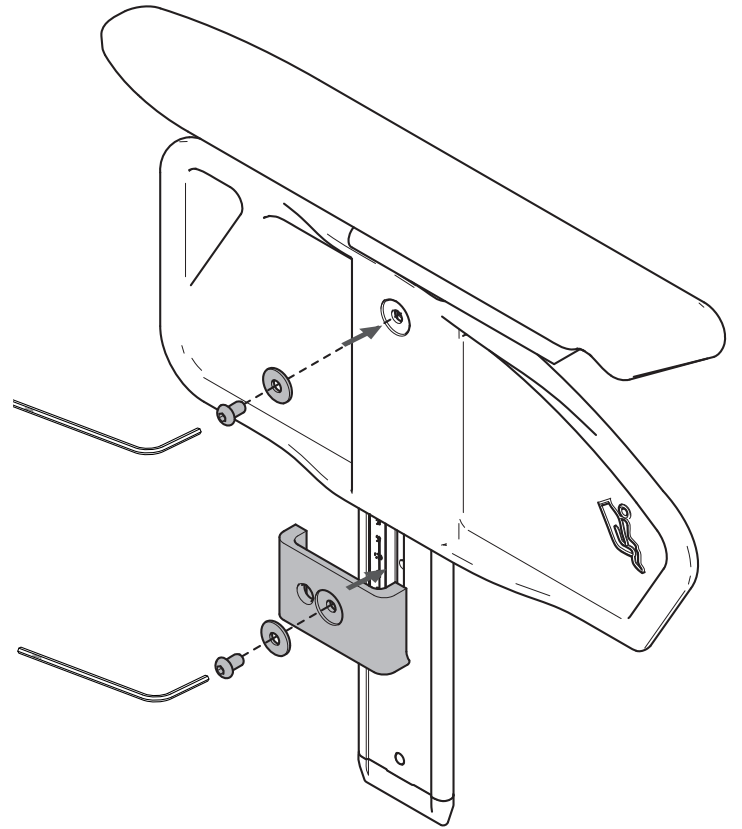




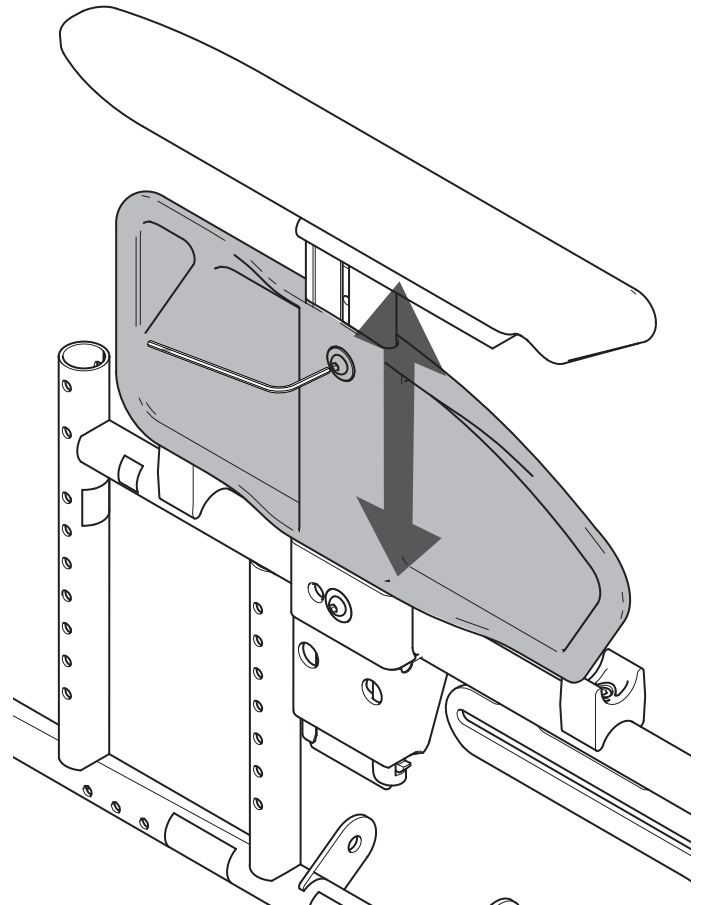
3



4



5





Sunrise Medical HCM B.V.
Vossenbeemd 104
5705 CL Helmond
The Netherlands

T: +31 (0)492 593 888
customerservice@sunrisemedical.nl
www.SunriseMedical.eu