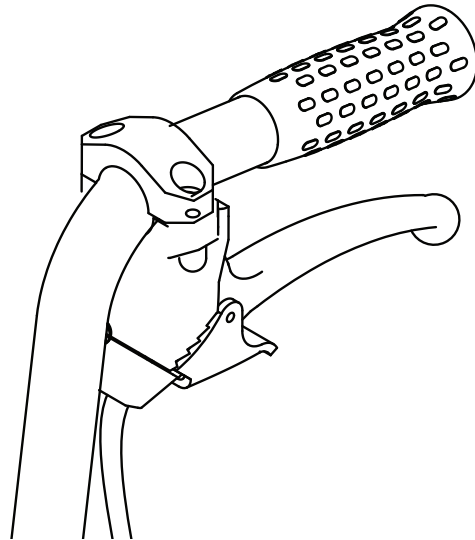


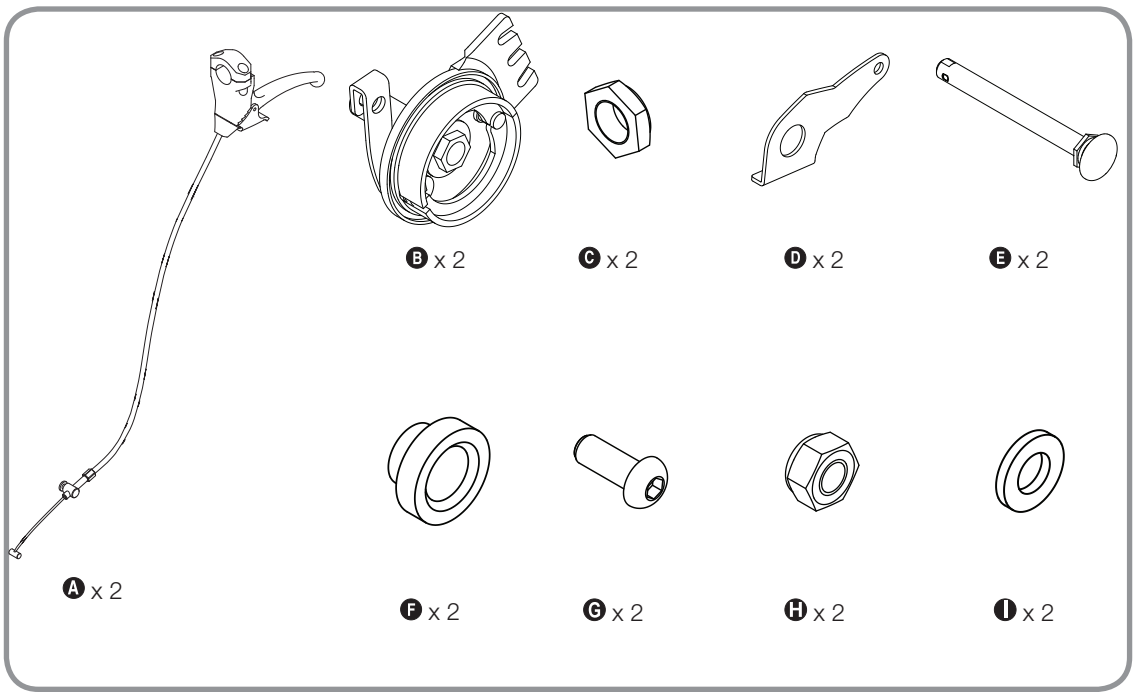
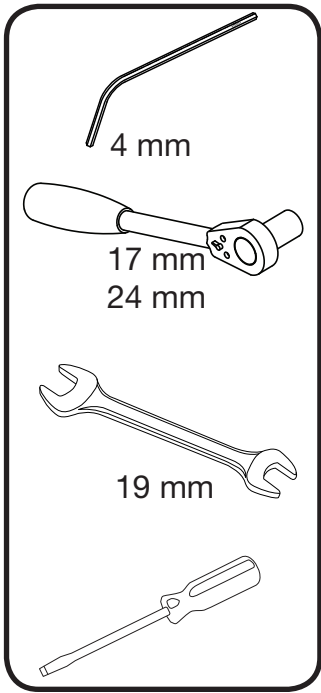
# ASSEMBLY INSTRUCTION

## Drum brake

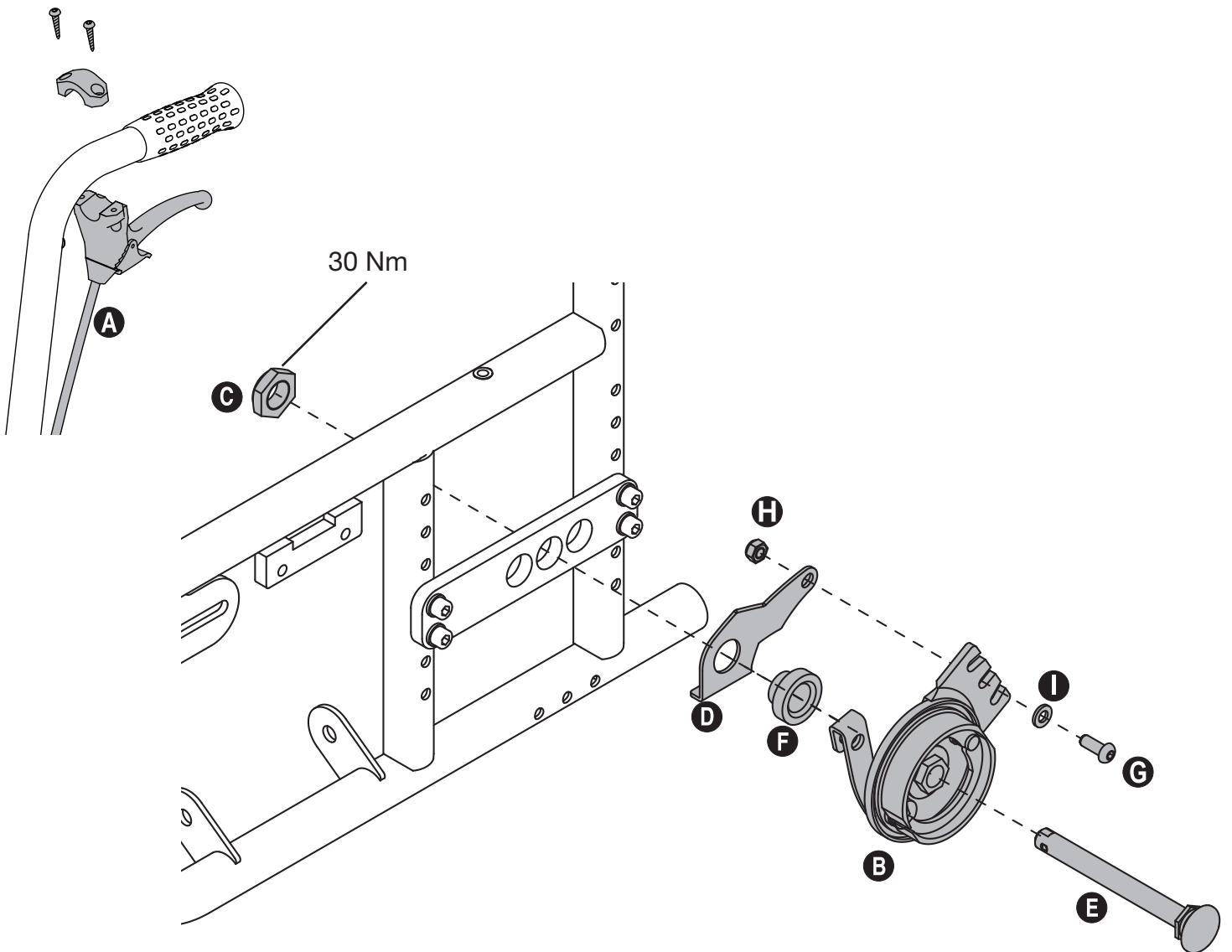


Description	Article number	
Parts for dum brake	<input type="checkbox"/> 3349995	
Dimension	Pneumatic	Compact
20" Wheel	<input type="checkbox"/> 84416	<input type="checkbox"/> 84419
22" Wheel	<input type="checkbox"/> 84436	<input type="checkbox"/> 84439
24" Wheel	<input type="checkbox"/> 84456	<input type="checkbox"/> 84458

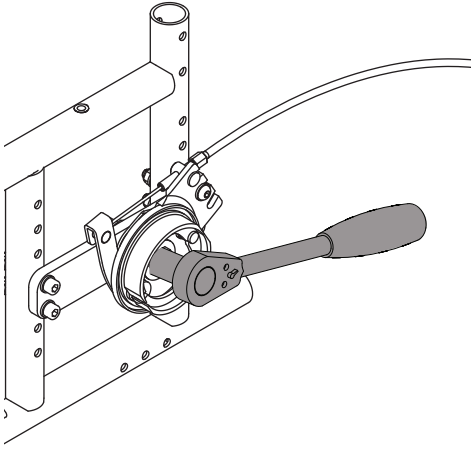




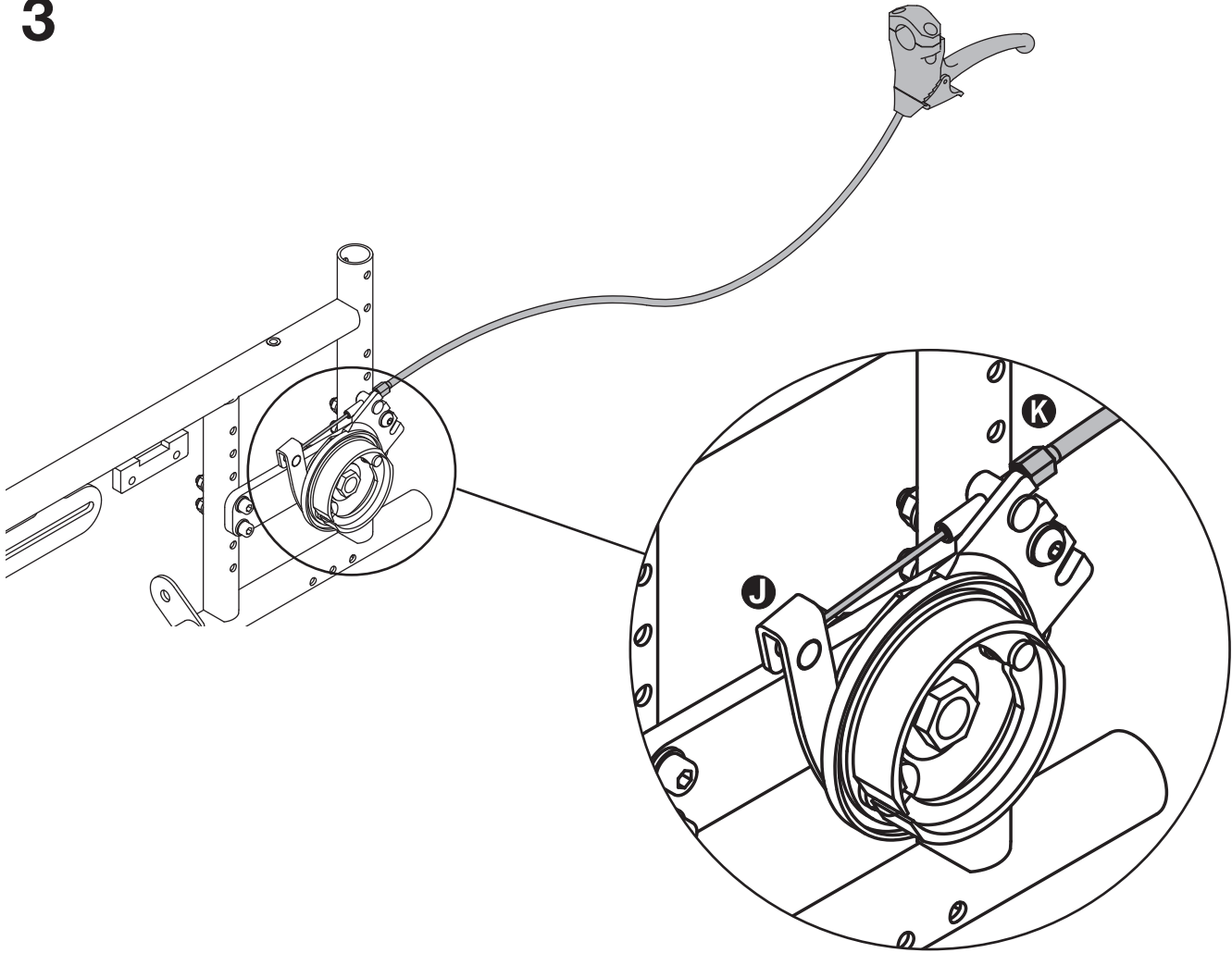
1

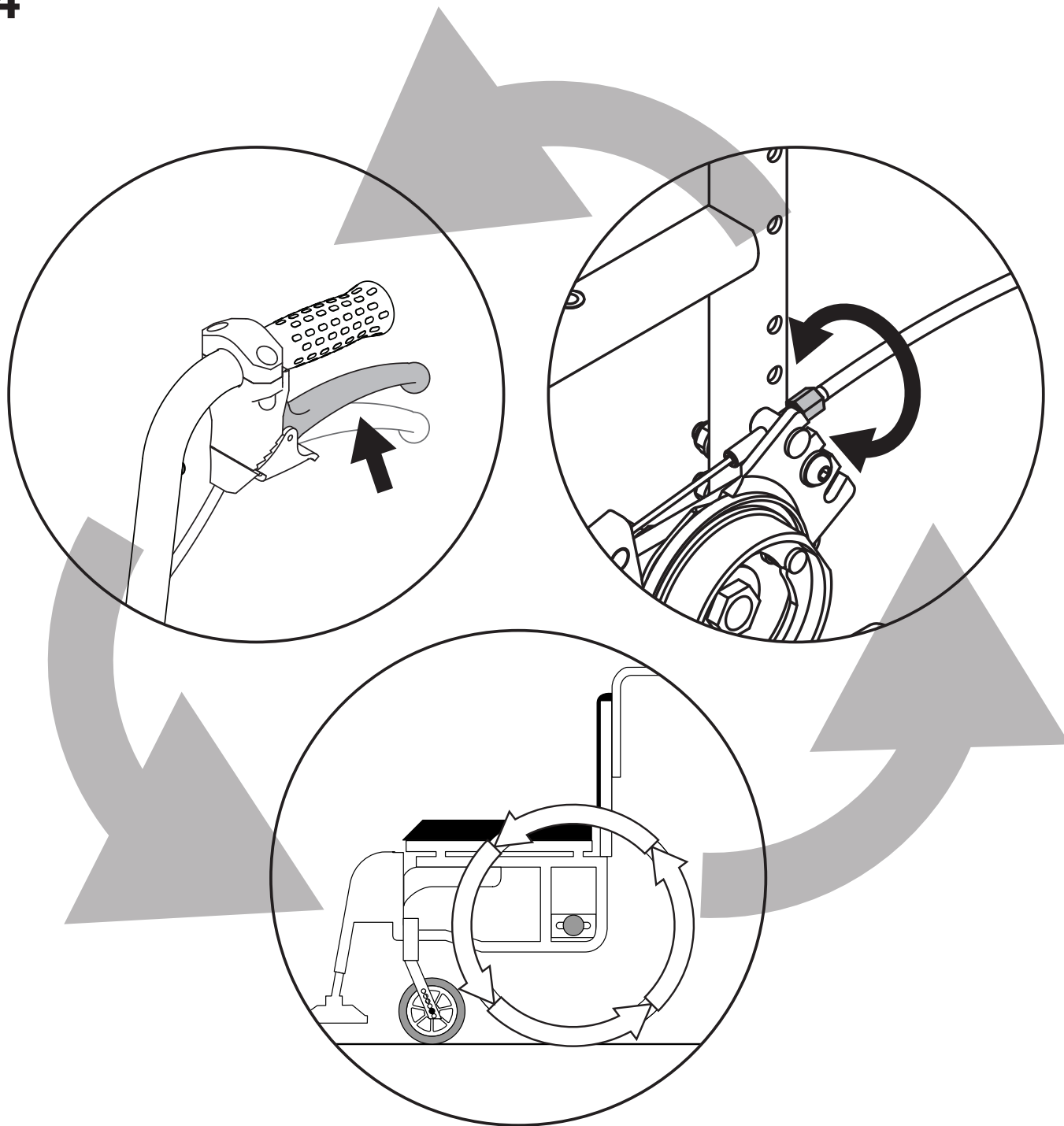


2



3





Sunrise Medical HCM B.V.  
Vossenbeemd 104  
5705 CL Helmond  
The Netherlands

T: +31 (0)492 593 888  
customerservice@sunrisemedical.nl  
www.SunriseMedical.eu