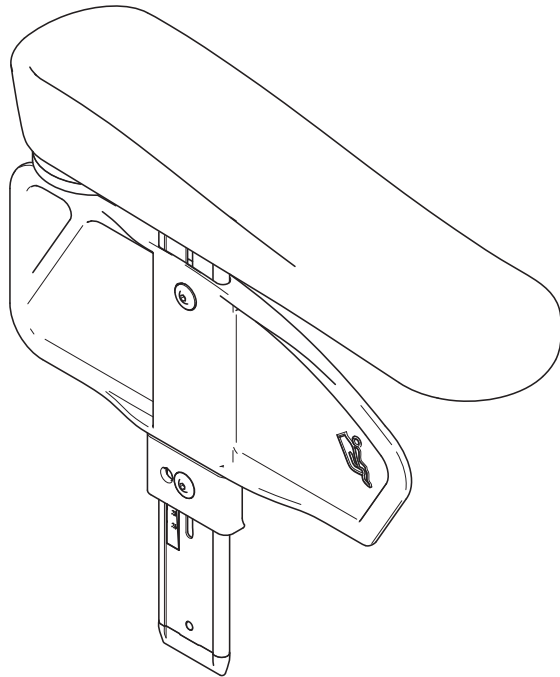


ASSEMBLY INSTRUCTION

Hemiplegia armrest

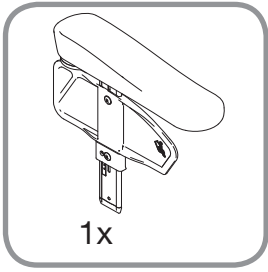
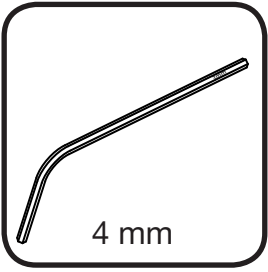


Description

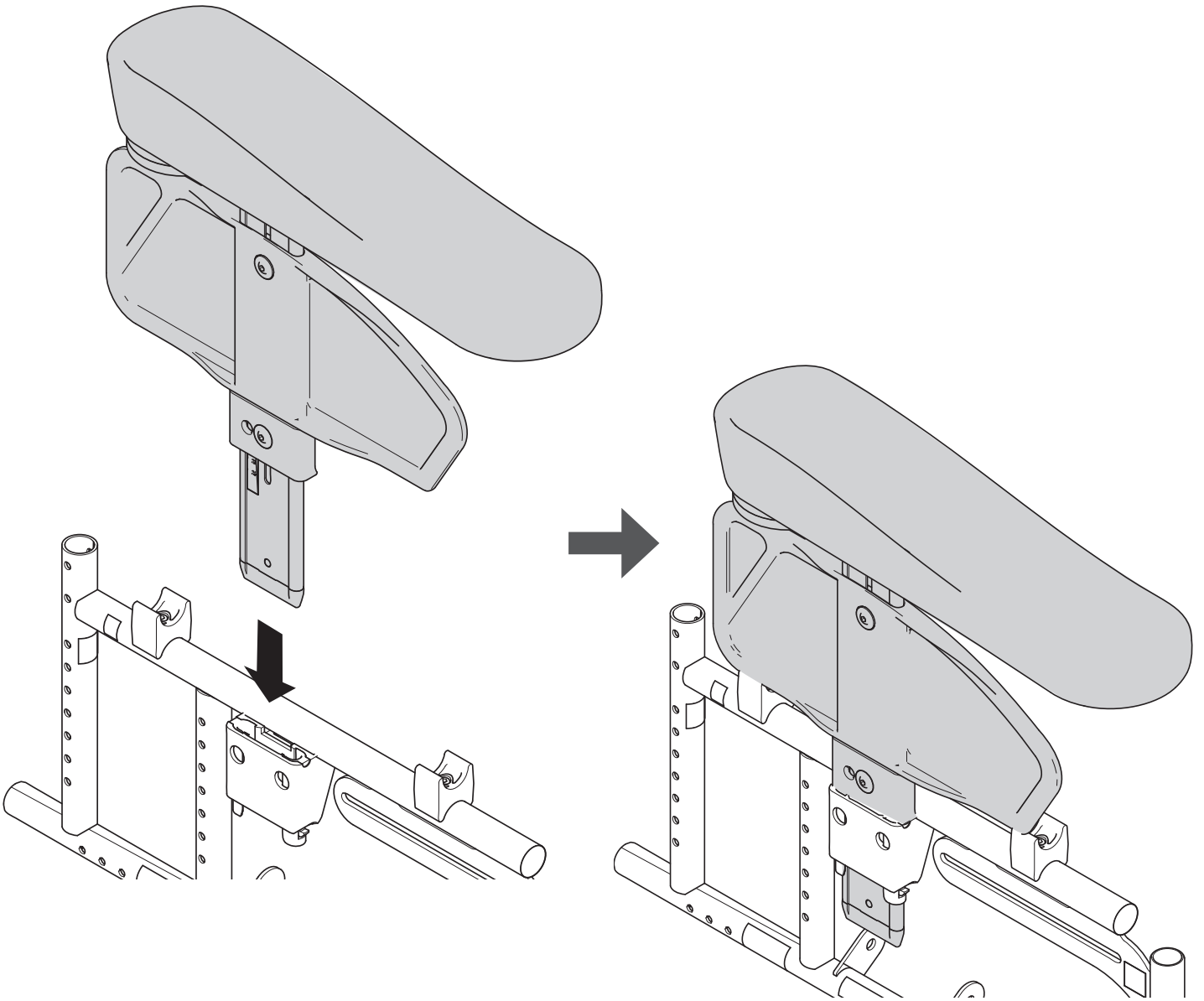
Article number

	RHS	LHS
Hemiplegia armrest, standard height	<input type="checkbox"/> 3306015	<input type="checkbox"/> 3306016
Hemiplegia armrest, heigh	<input type="checkbox"/> 3306035	<input type="checkbox"/> 3306036

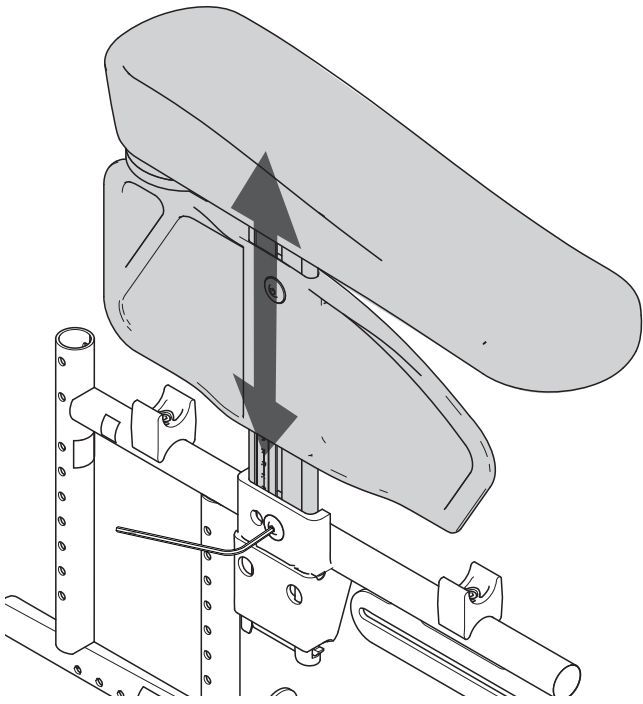




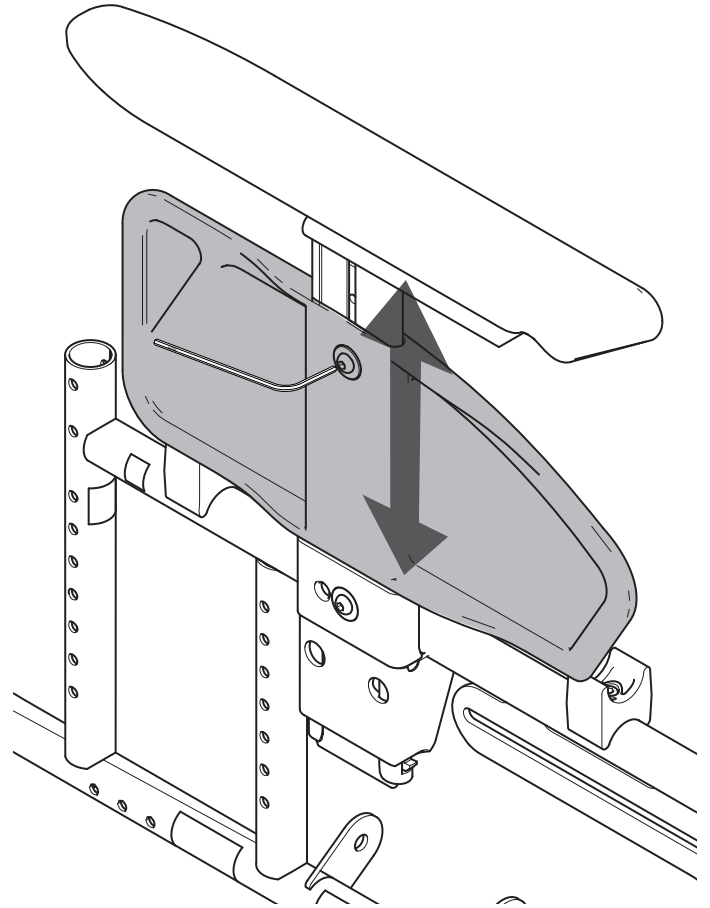
1



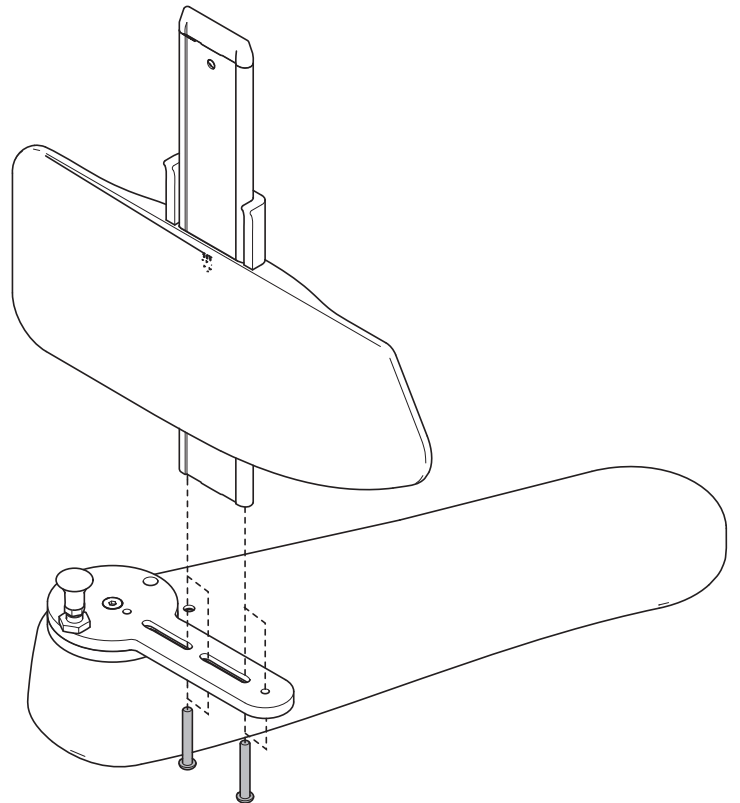
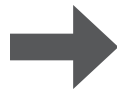
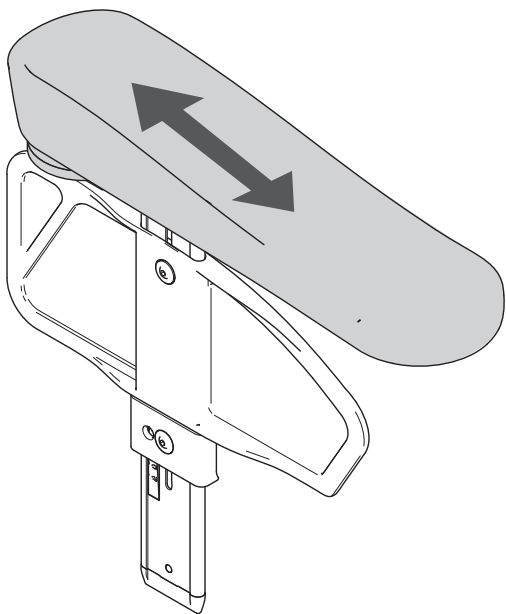
2



3



4





Sunrise Medical HCM B.V.
Vossenbeemd 104
5705 CL Helmond
The Netherlands

T: +31 (0)492 593 888
customerservice@sunrisemedical.nl
www.SunriseMedical.eu