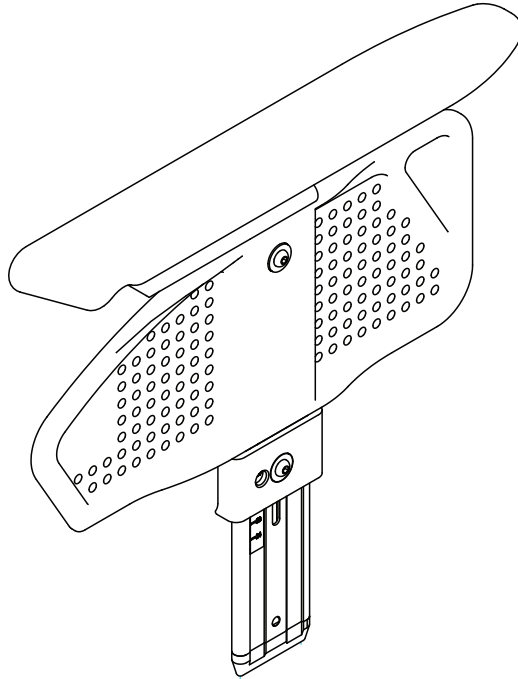


ASSEMBLY INSTRUCTION

Armrest



Description

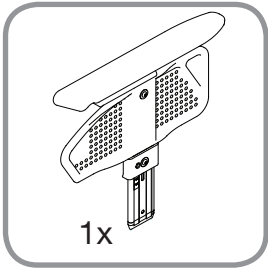
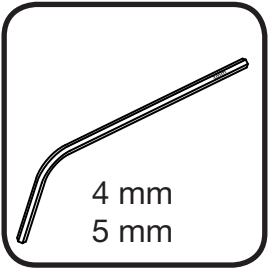
Article number

RHS

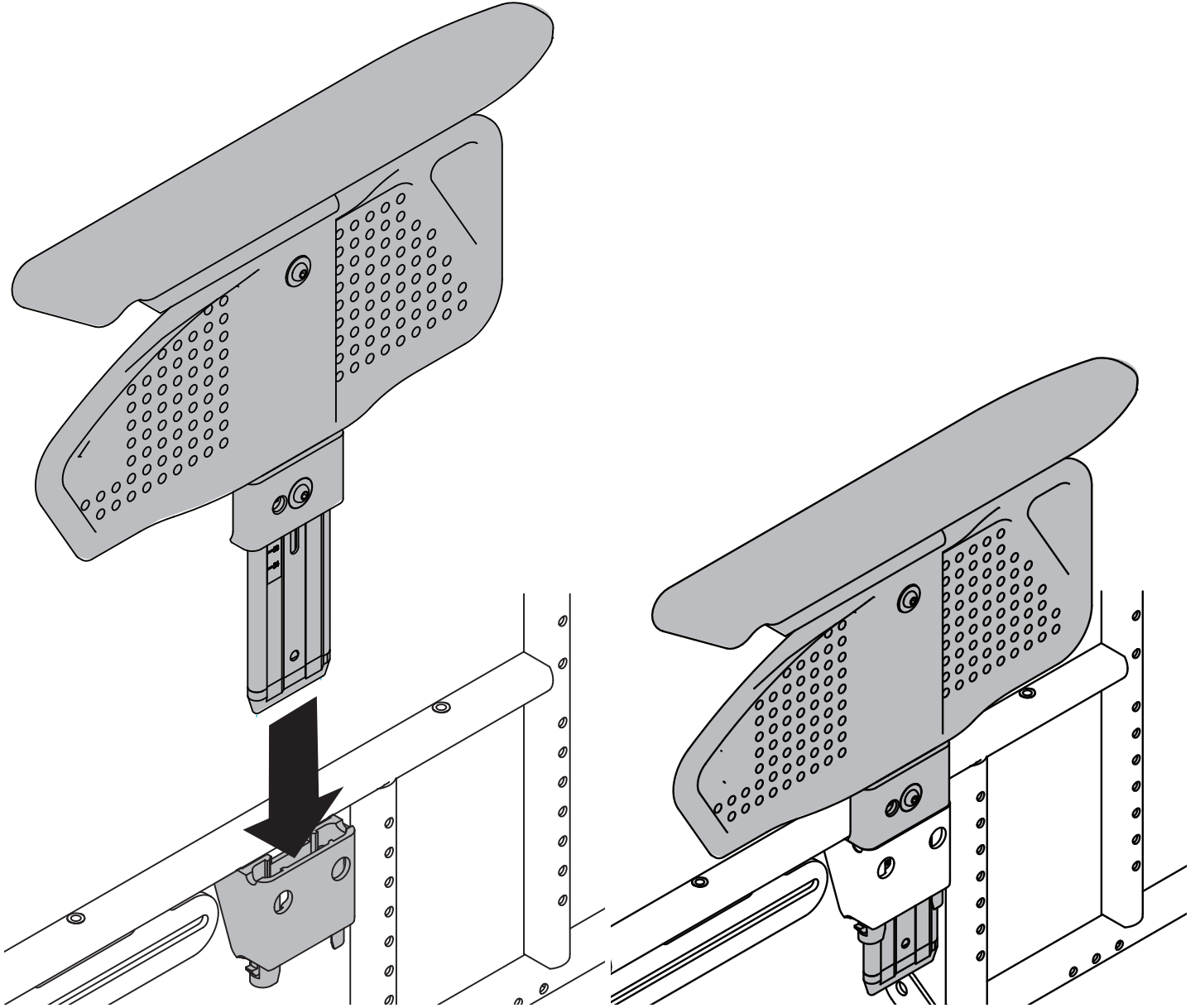
LHS

Armrest, 40 cm pads, height 17-24 cm	<input type="checkbox"/>	3306050	<input type="checkbox"/>	3306051
Armrest, 40 cm pads, height 22-29 cm	<input type="checkbox"/>	3306060	<input type="checkbox"/>	3306061
Armrest, 30 cm pads, height 17-24 cm	<input type="checkbox"/>	3306070	<input type="checkbox"/>	3306071
Armrest, 30 cm pads, height 22-29 cm	<input type="checkbox"/>	3306080	<input type="checkbox"/>	3306081

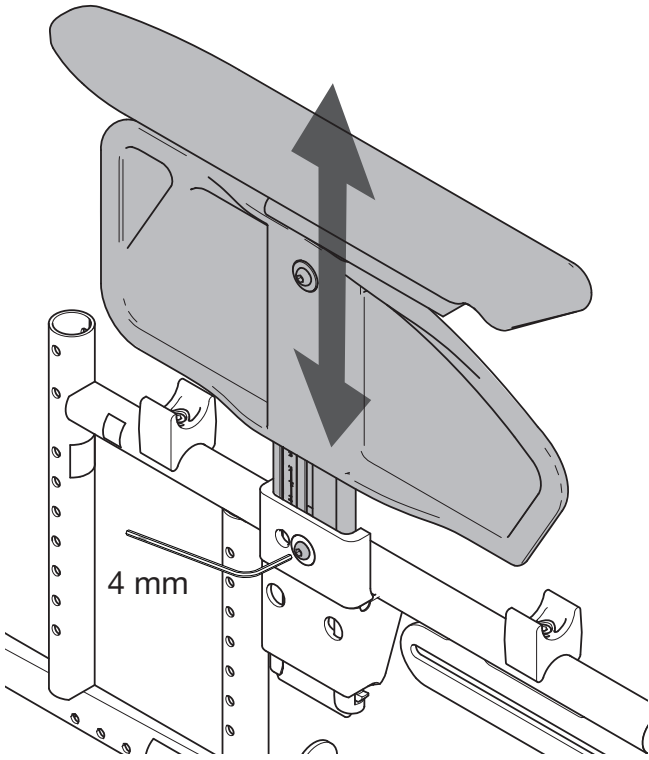




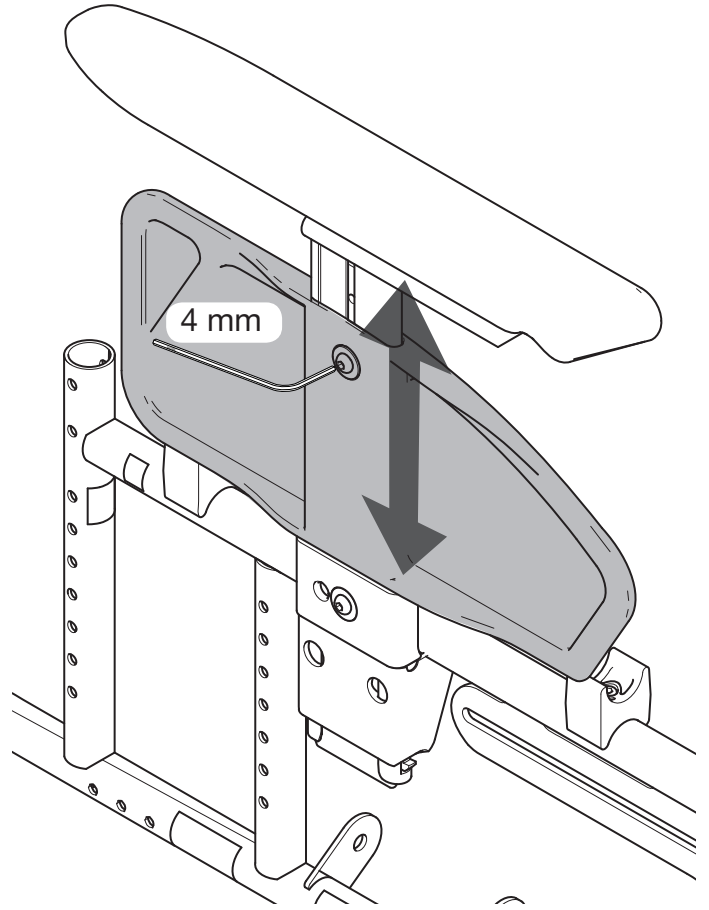
1



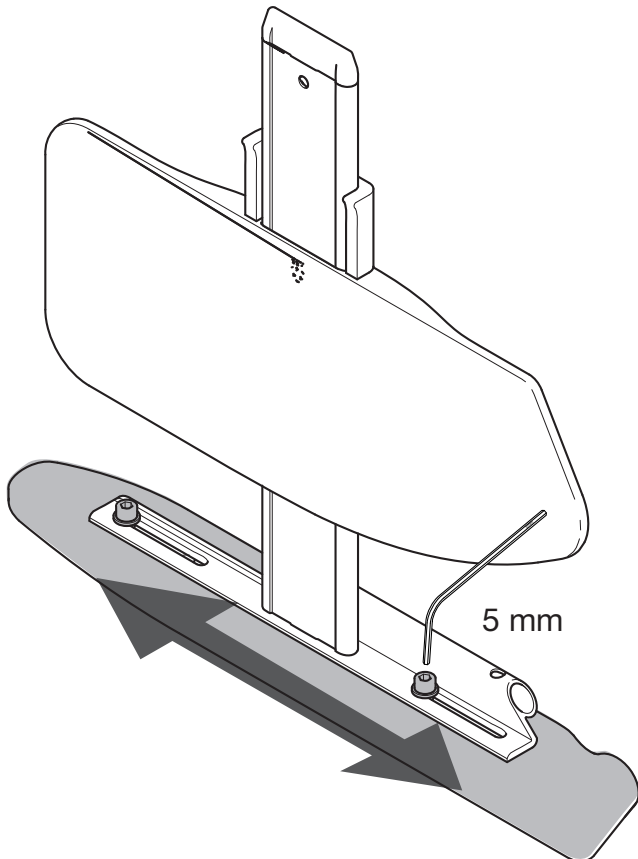
2



3



3





Sunrise Medical HCM B.V.
Vossenbeemd 104
5705 CL Helmond
The Netherlands

T: +31 (0)492 593 888
customerservice@sunrisemedical.nl
www.SunriseMedical.eu