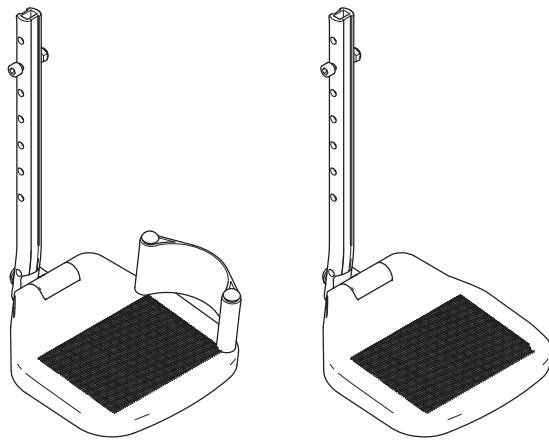


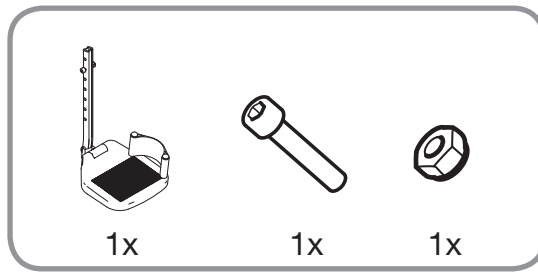
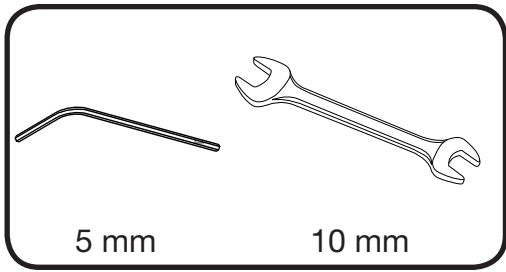
ASSEMBLY INSTRUCTION

Footplate

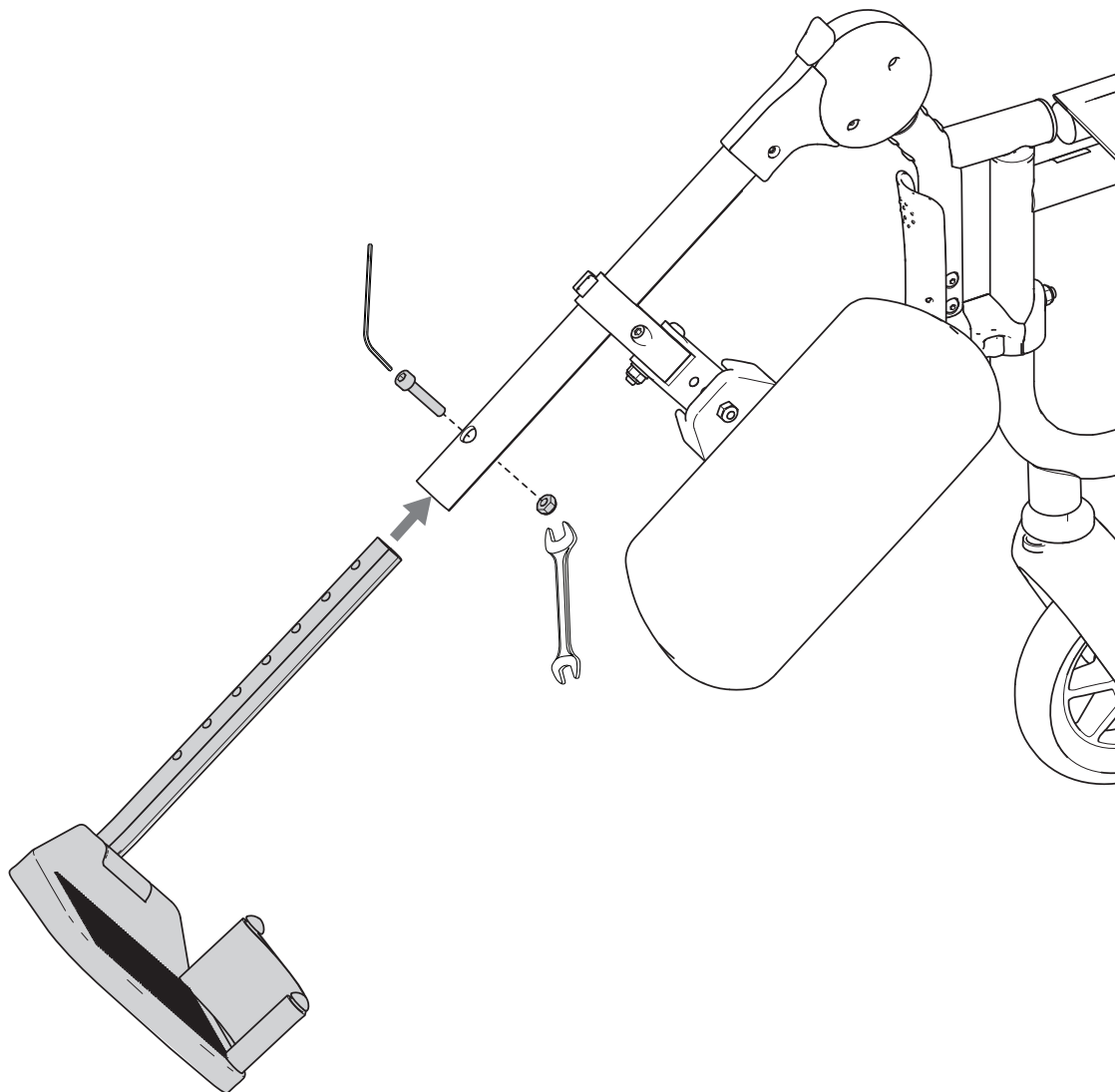


Seat width	With heelstrap		Without heelstrap	
	RHS	LHS	RHS	LHS
39	<input type="checkbox"/> 3353316	<input type="checkbox"/> 3353317	<input type="checkbox"/> 3353336	<input type="checkbox"/> 3353337
42	<input type="checkbox"/> 3353318	<input type="checkbox"/> 3353319	<input type="checkbox"/> 3353338	<input type="checkbox"/> 3353339
45	<input type="checkbox"/> 3353320	<input type="checkbox"/> 3353321	<input type="checkbox"/> 3353340	<input type="checkbox"/> 3353341
48	<input type="checkbox"/> 3353322	<input type="checkbox"/> 3353323	<input type="checkbox"/> 3353342	<input type="checkbox"/> 3353343
51	<input type="checkbox"/> 3353324	<input type="checkbox"/> 3353325	<input type="checkbox"/> 3353344	<input type="checkbox"/> 3353345

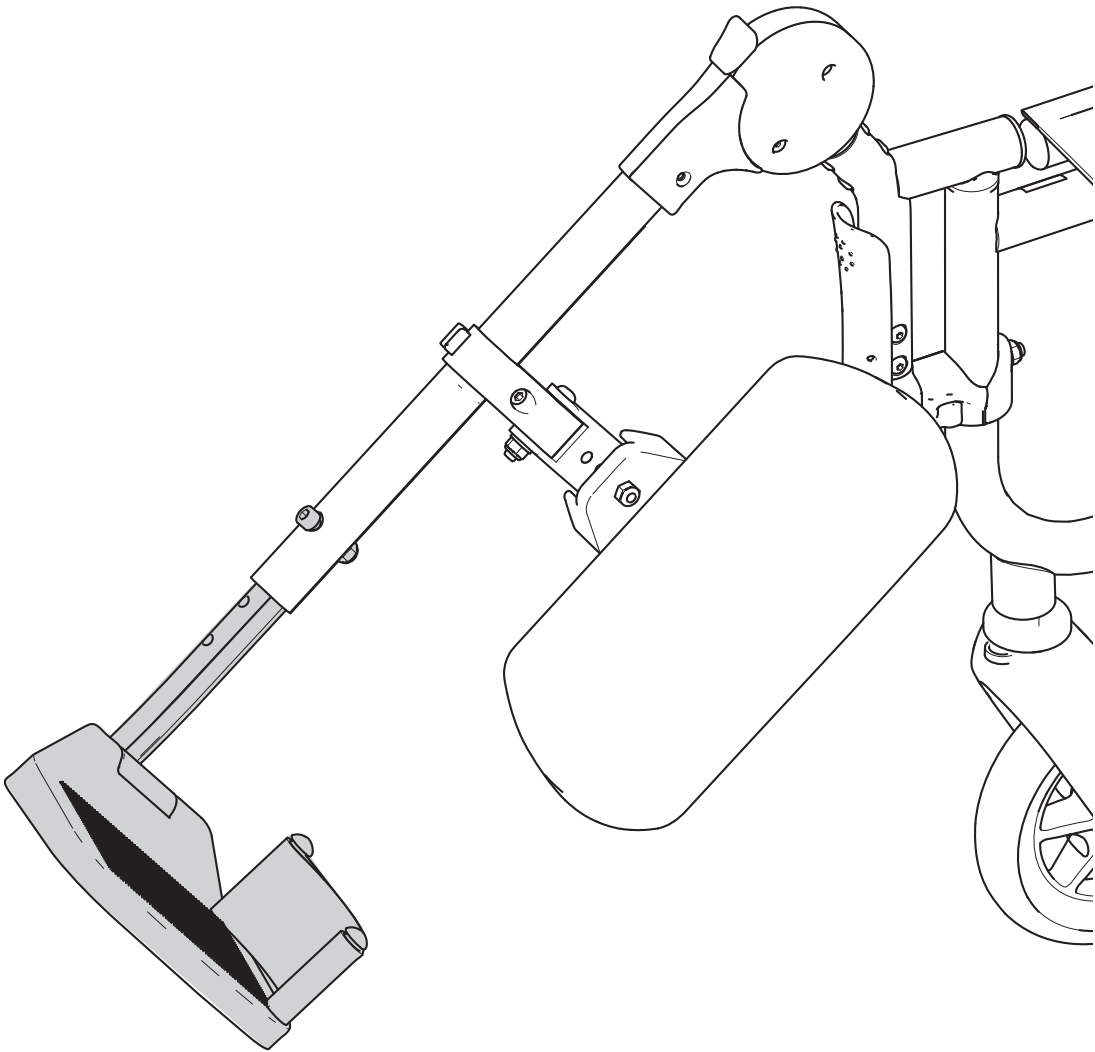




1



2





Sunrise Medical HCM B.V.
Vossenbeemd 104
5705 CL Helmond
The Netherlands

T: +31 (0)492 593 888
customerservice@sunrisemedical.nl
www.SunriseMedical.eu