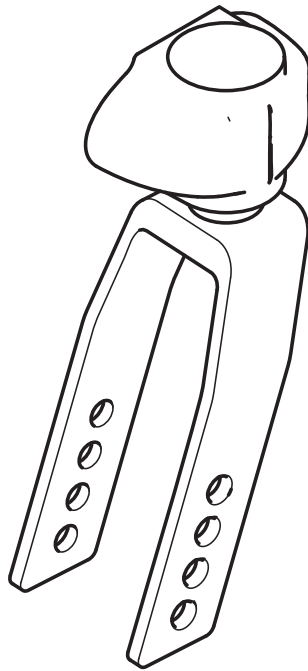


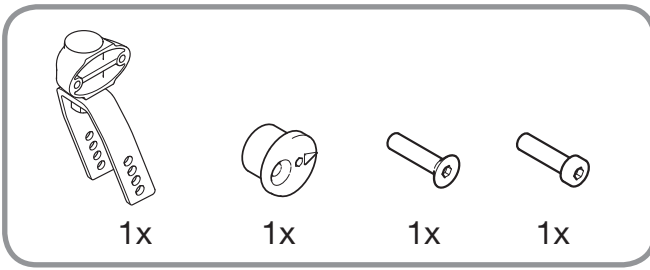
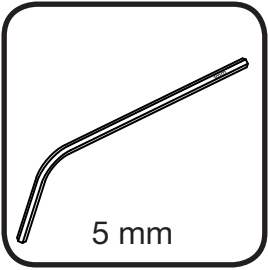
ASSEMBLY INSTRUCTION

Castor housing with fork

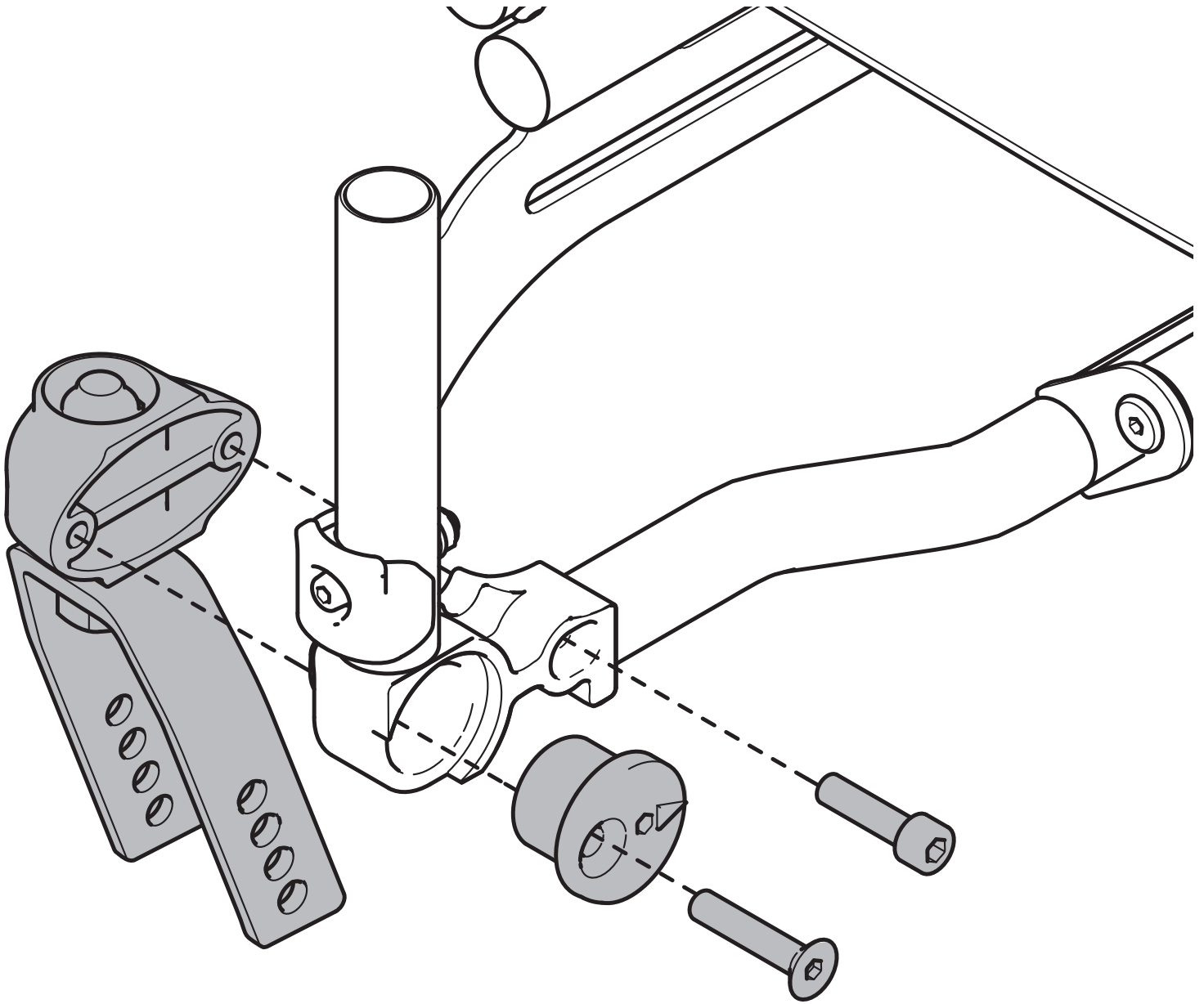


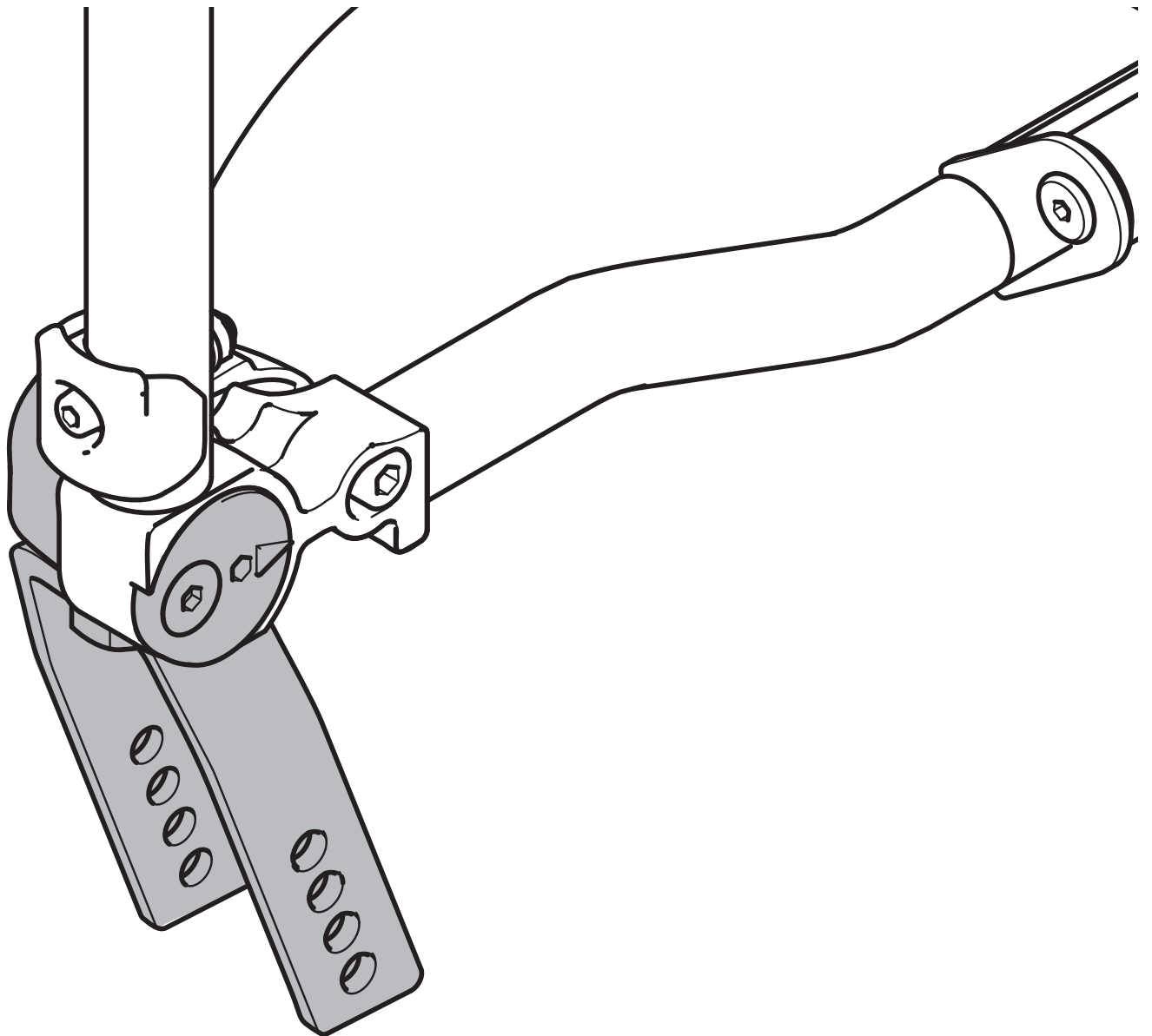
| Description | Article number | |
|--------------------------------------|--------------------------|---------|
| Castor housing with 92 mm fork | <input type="checkbox"/> | 3007025 |
| Castor housing wiht 120 mm fork | <input type="checkbox"/> | 3007026 |
| Castor housing wiht 146 mm fork | <input type="checkbox"/> | 3007027 |
| Castor housing with 146 mm fork high | <input type="checkbox"/> | 3007024 |



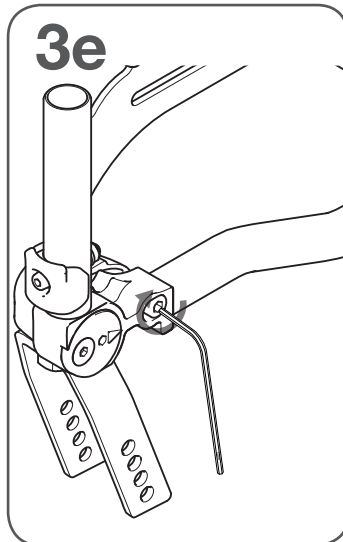
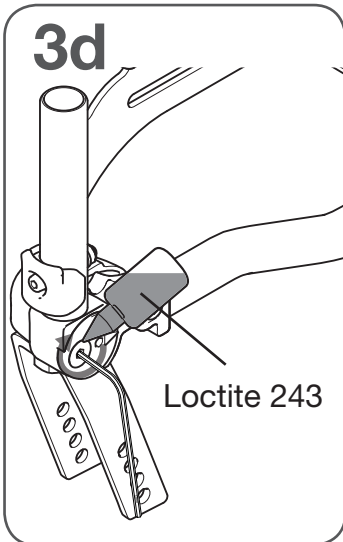
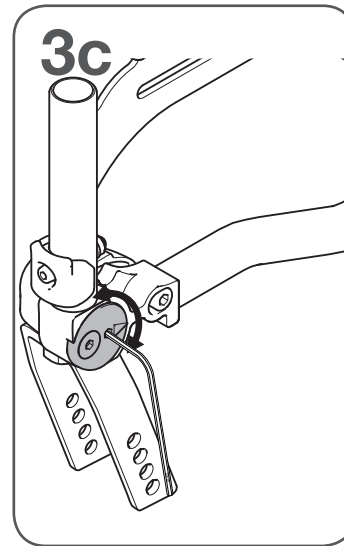
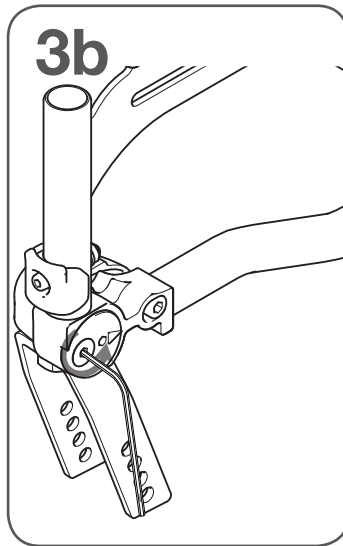
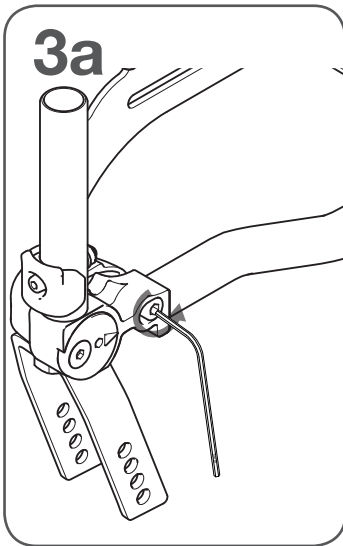
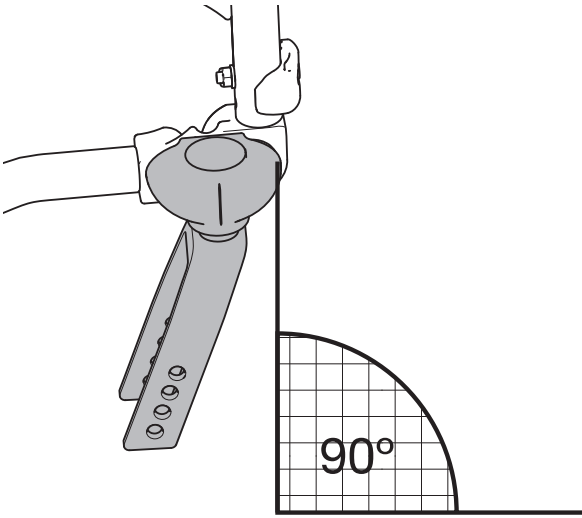


1





3



Sunrise Medical HCM B.V.
Vossenbeemd 104
5705 CL Helmond
The Netherlands

T: +31 (0)492 593 888
customerservice@sunrisemedical.nl
www.SunriseMedical.eu