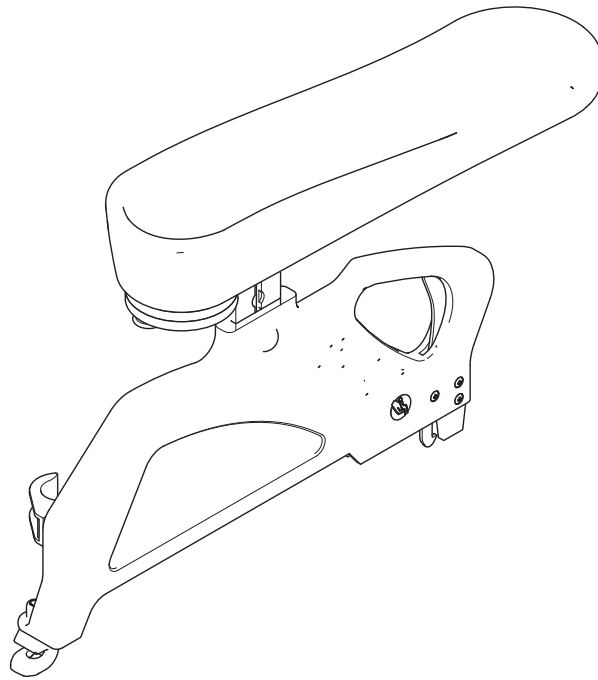


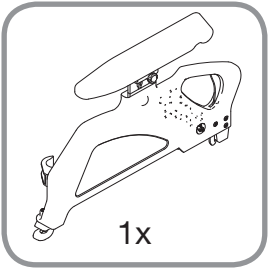
ASSEMBLY INSTRUCTION

Hemiplegia armrest-swing up-height adjustable

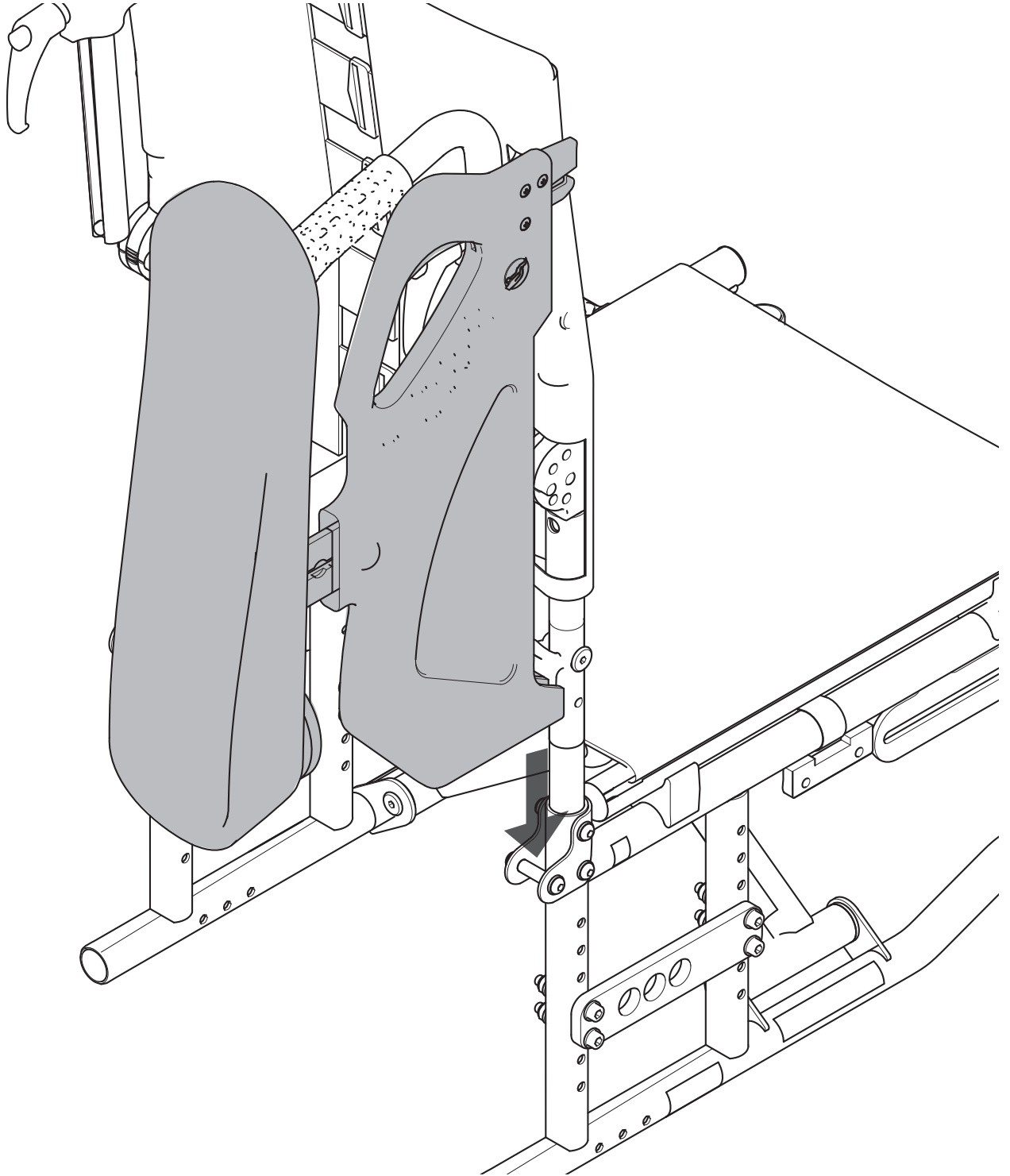


Description	Article number
Hemiplegia armrest RHS	<input type="checkbox"/> 3346135
Hemiplegia armrest LHS	<input type="checkbox"/> 3346136

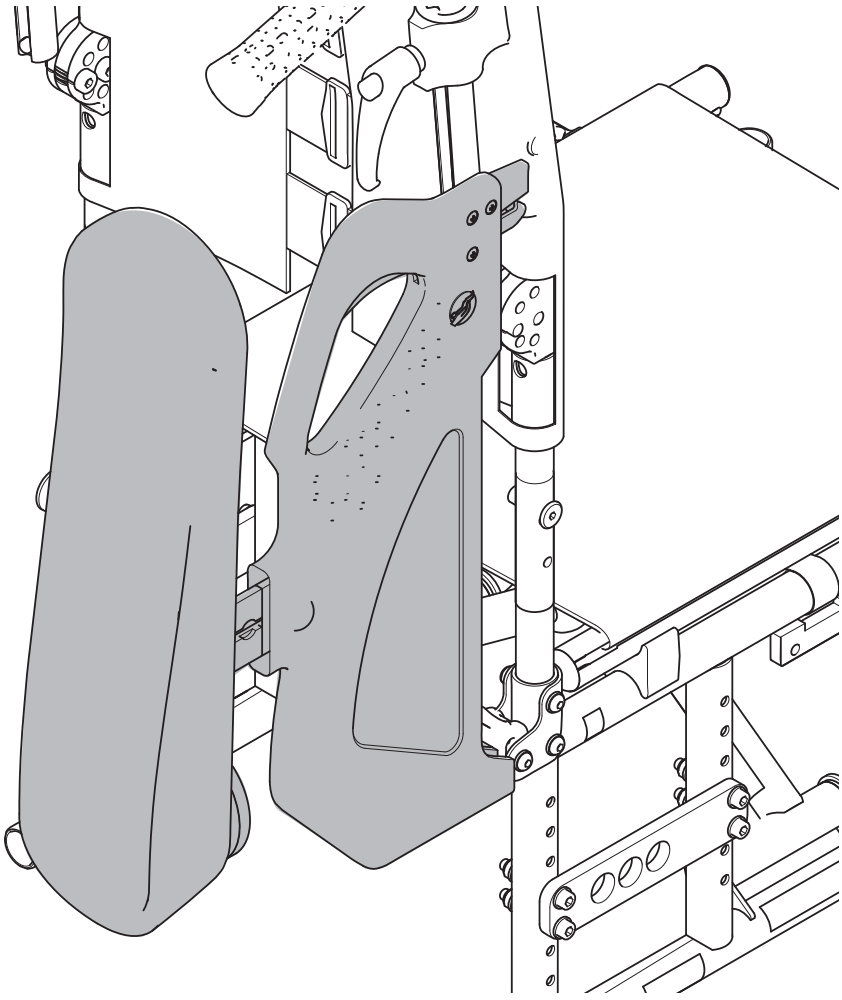




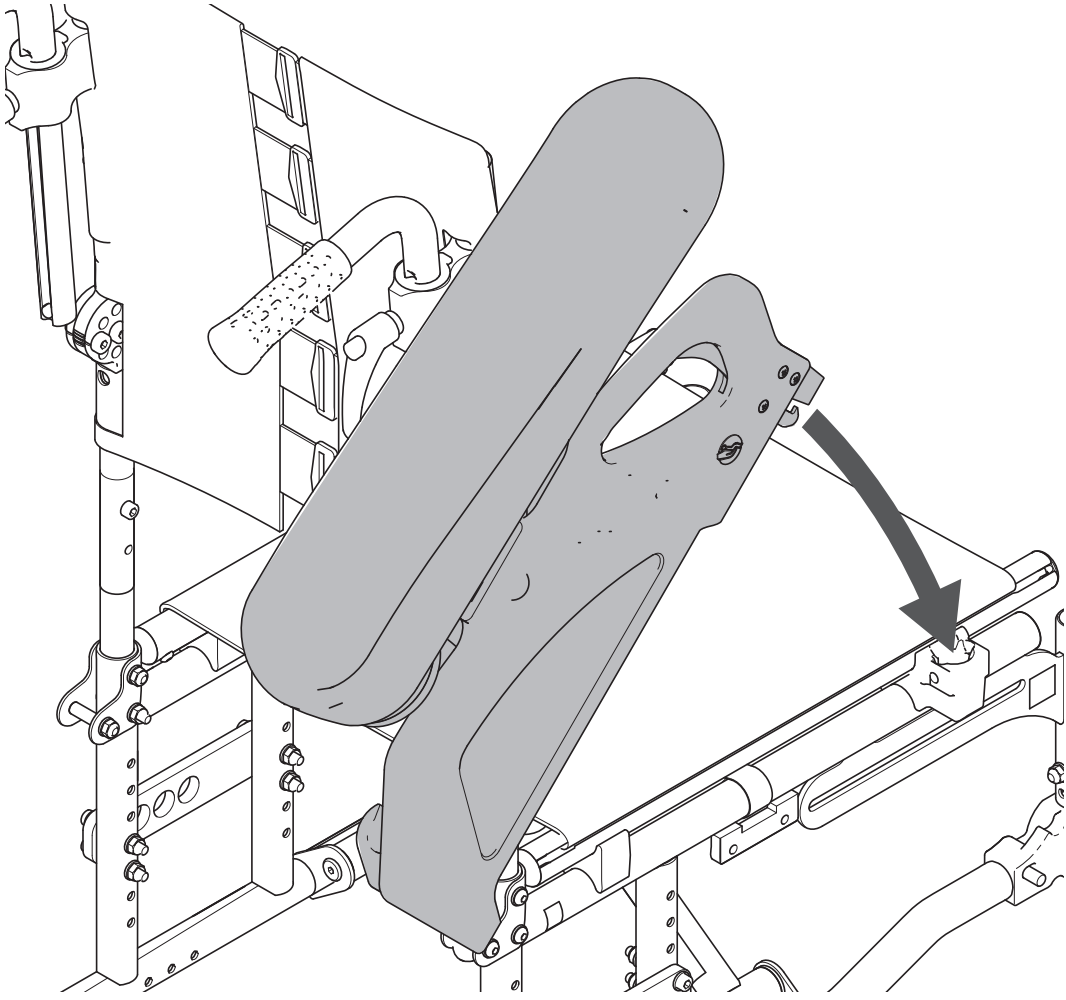
1 



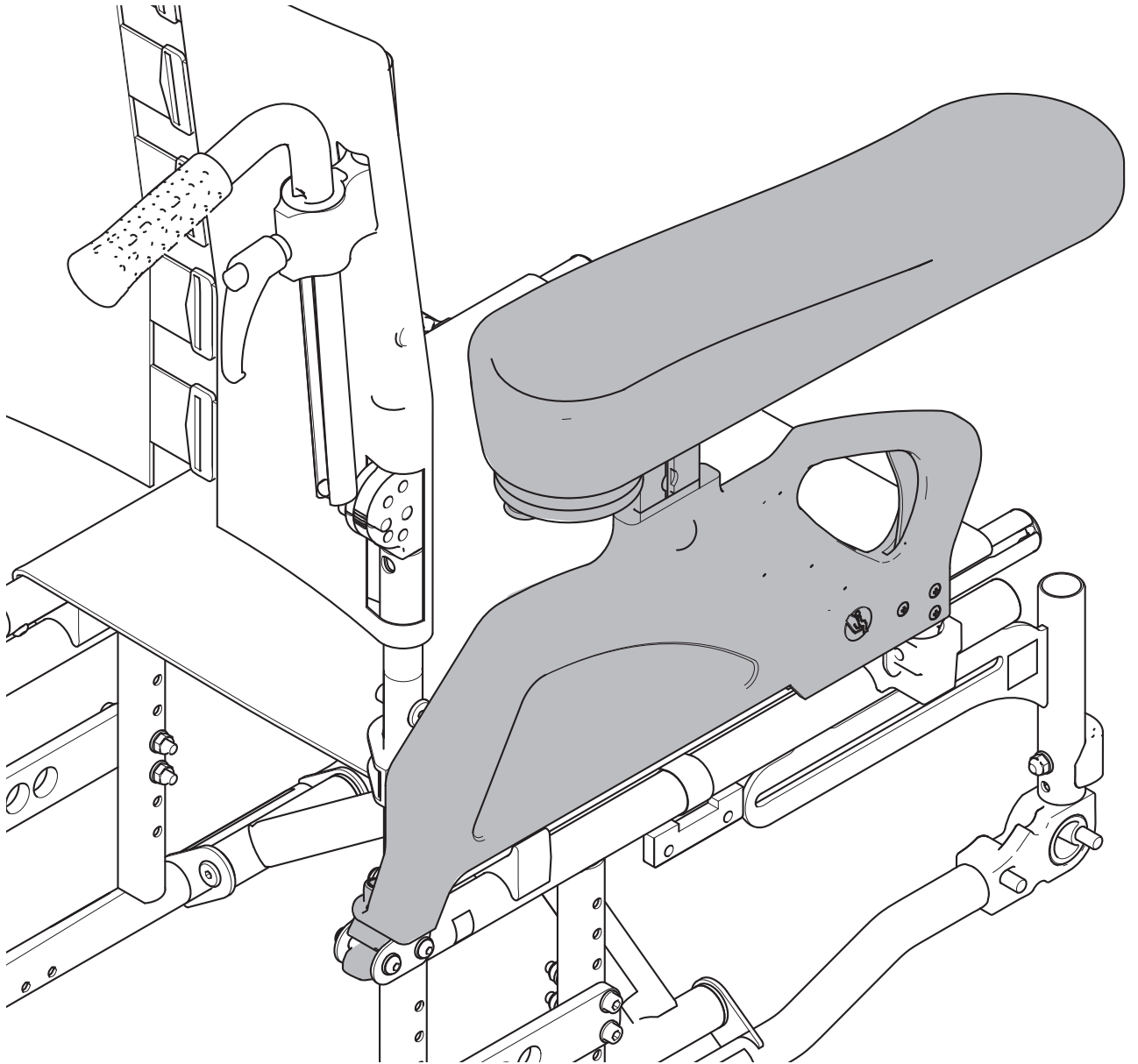
2



3



4



Sunrise Medical HCM B.V.
Vossenbeemd 104
5705 CL Helmond
The Netherlands

T: +31 (0)492 593 888
customerservice@sunrisemedical.nl
www.SunriseMedical.eu