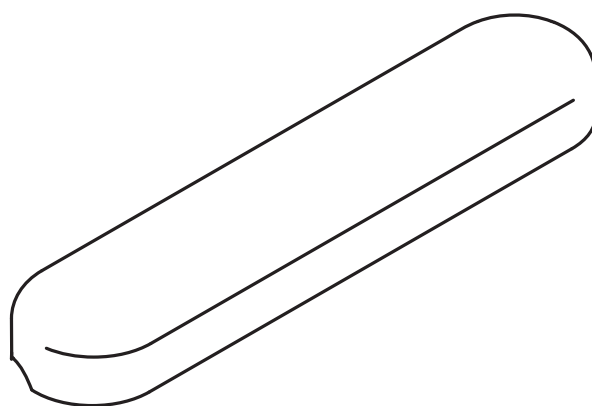


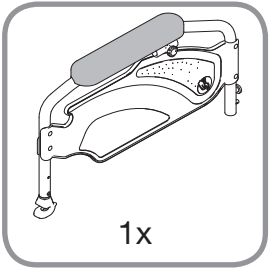
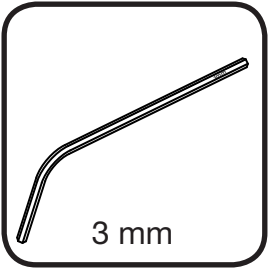
ASSEMBLY INSTRUCTION

Pad for armrest

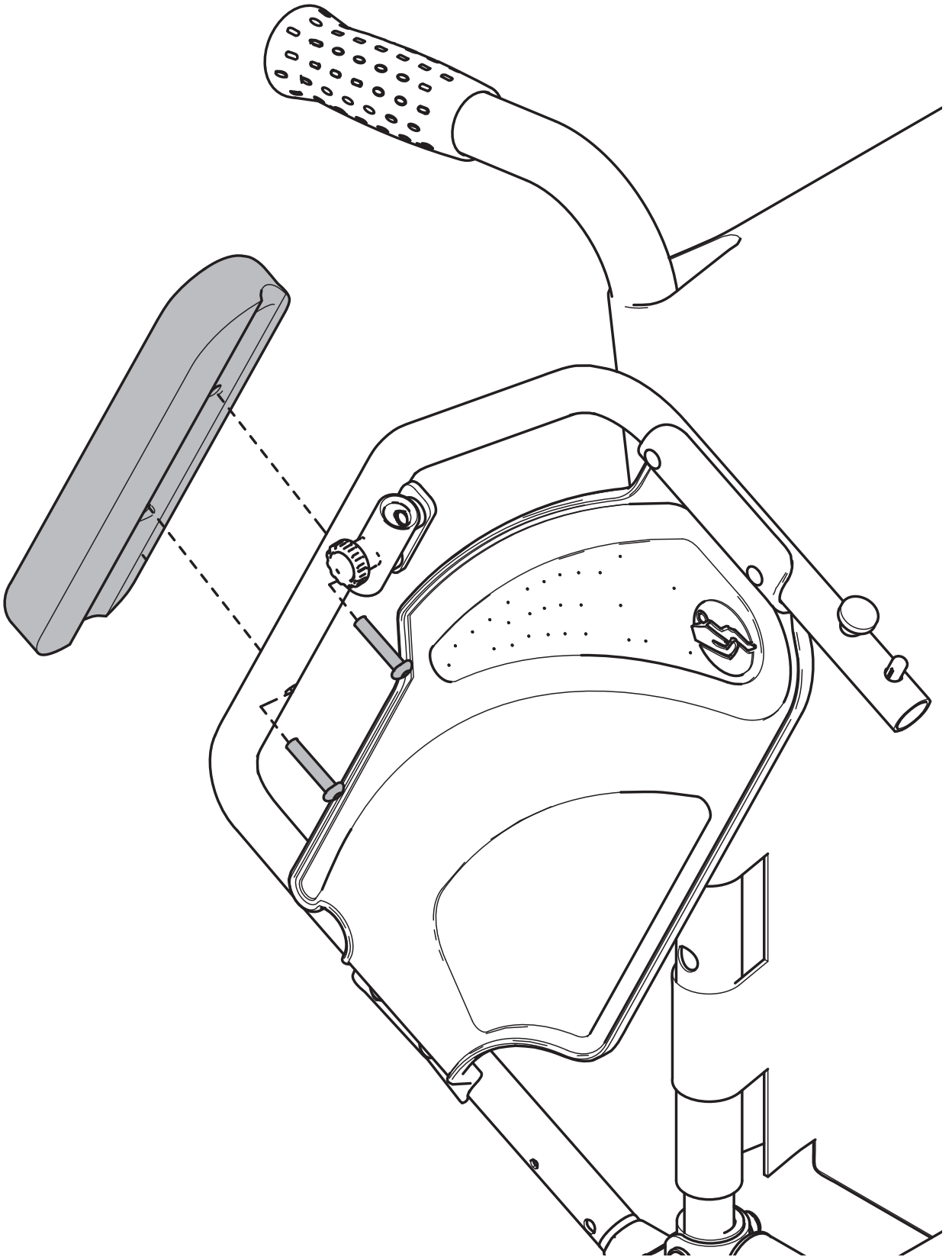


Description	Article number
Pad for armrest, 23 cm, RHS	<input type="checkbox"/> 3356150
Pad for armrest, 23 cm, LHS	<input type="checkbox"/> 3356151
Pad for armrest, 36 cm, RHS	<input type="checkbox"/> 3356160
Pad for armrest, 36 cm, LHS	<input type="checkbox"/> 3356161

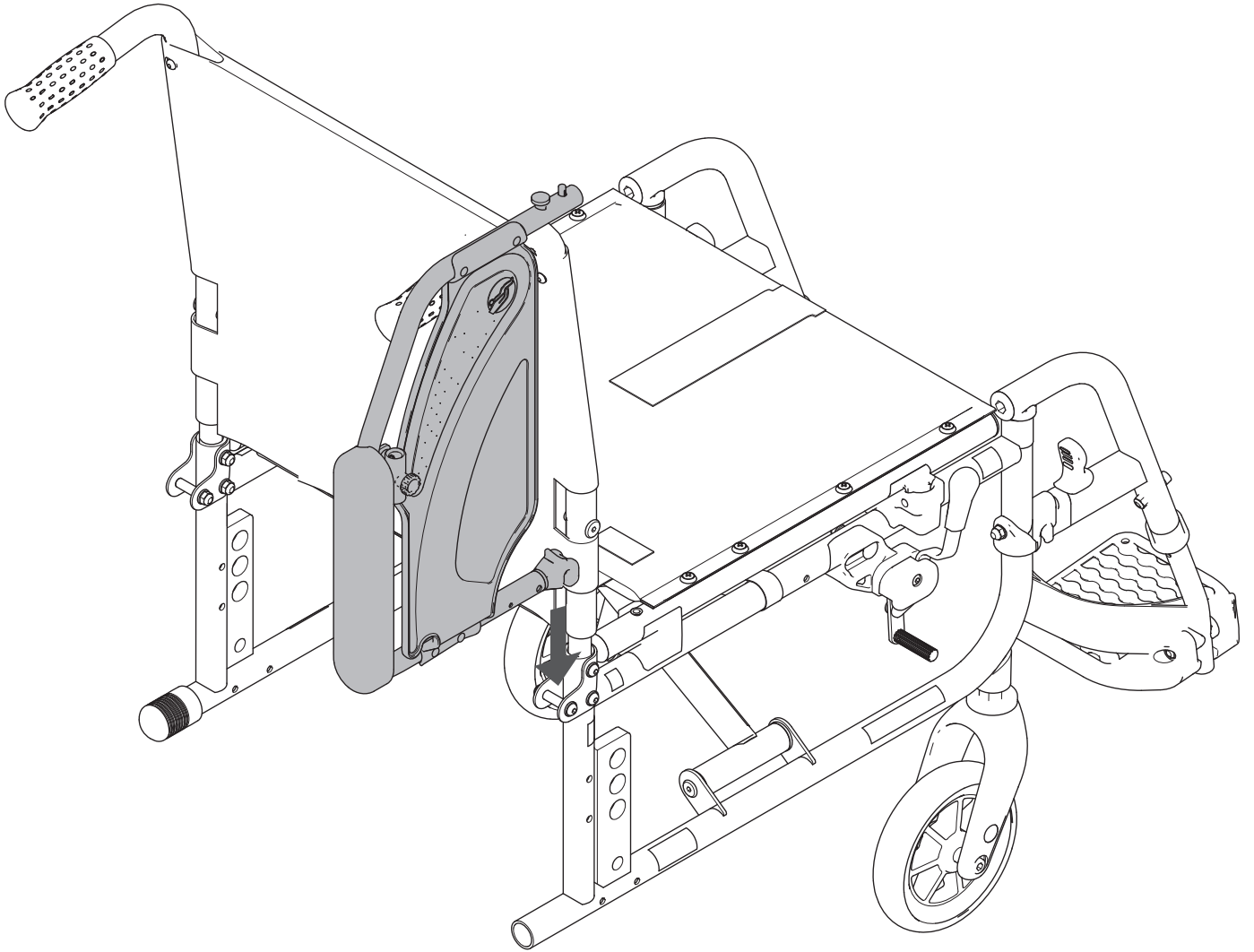




1



2





Sunrise Medical HCM B.V.
Vossenbeemd 104
5705 CL Helmond
The Netherlands

T: +31 (0)492 593 888
customerservice@sunrisemedical.nl
www.SunriseMedical.eu