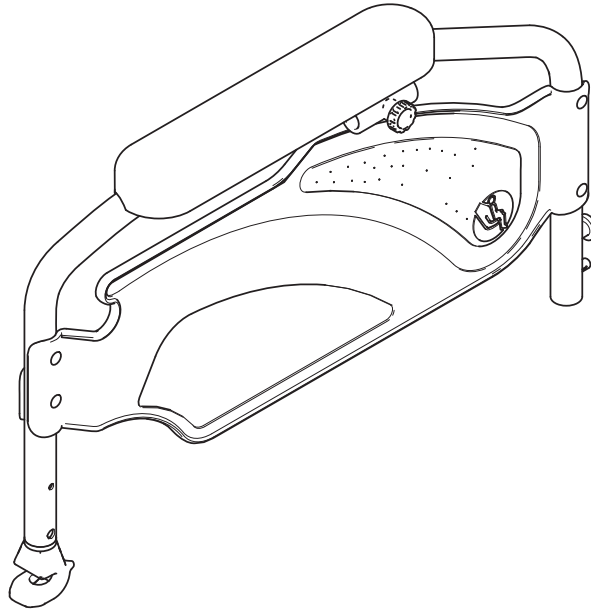


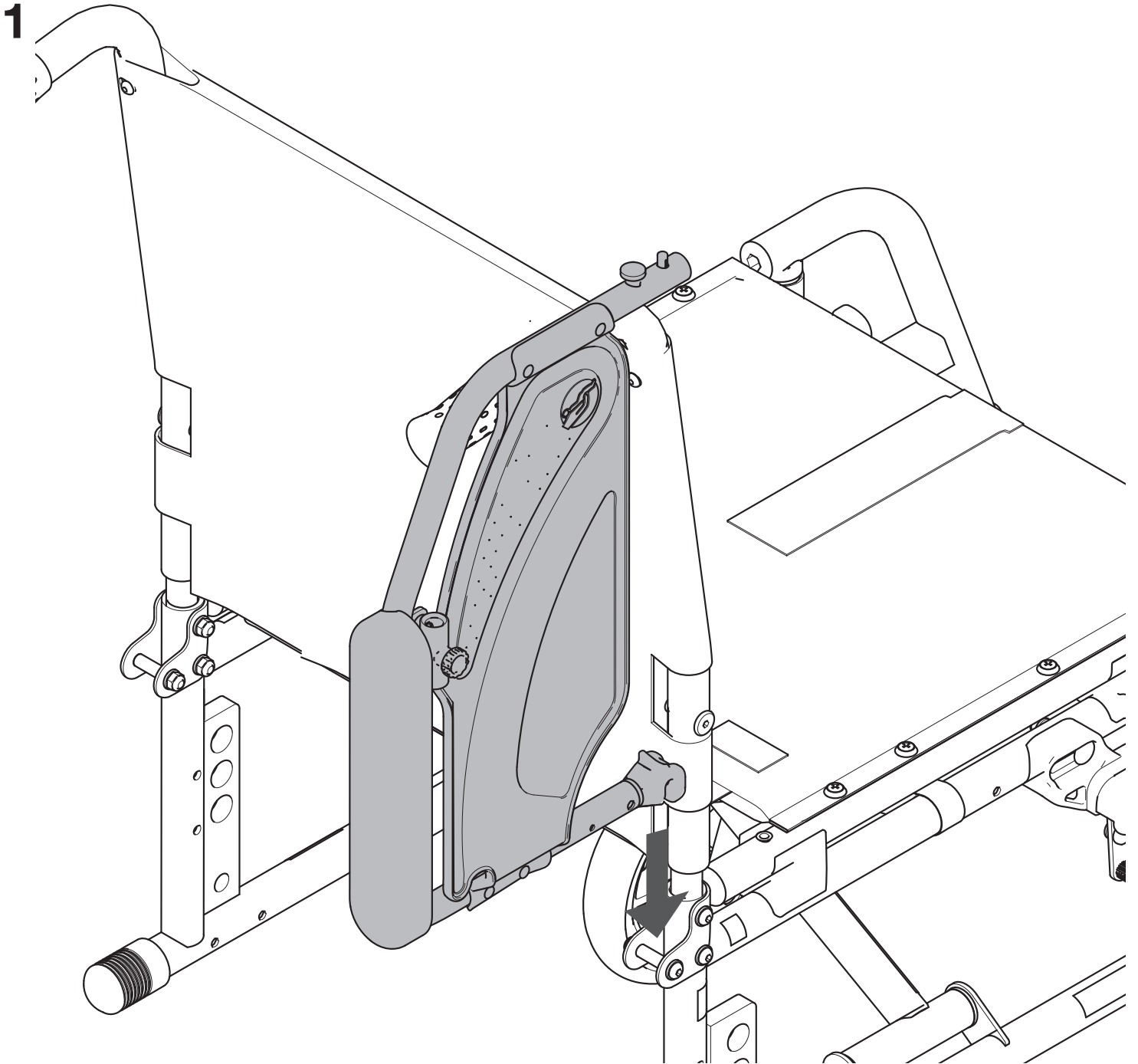
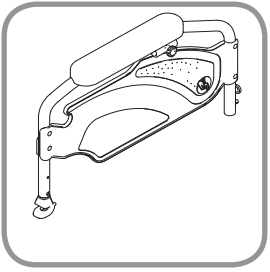
ASSEMBLY INSTRUCTION

Armrest-swing up-height adjustable

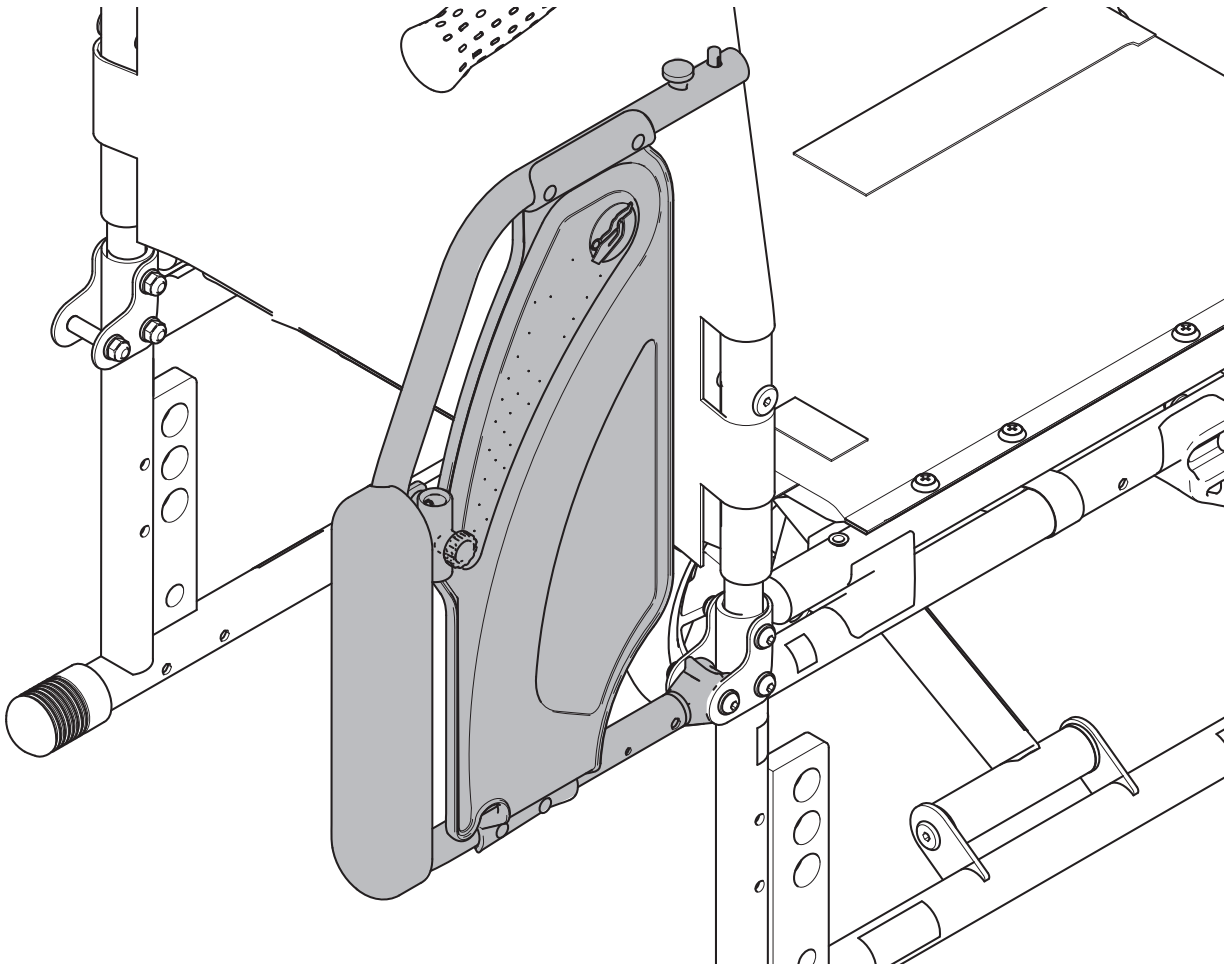


Description	Article number
Armrest, 23 cm pads, RHS	<input type="checkbox"/> 3356102
Armrest, 23 cm pads, LHS	<input type="checkbox"/> 3356103
Armrest, 36 cm pads, RHS	<input type="checkbox"/> 3356100
Armrest, 36 cm pads, LHS	<input type="checkbox"/> 3356101

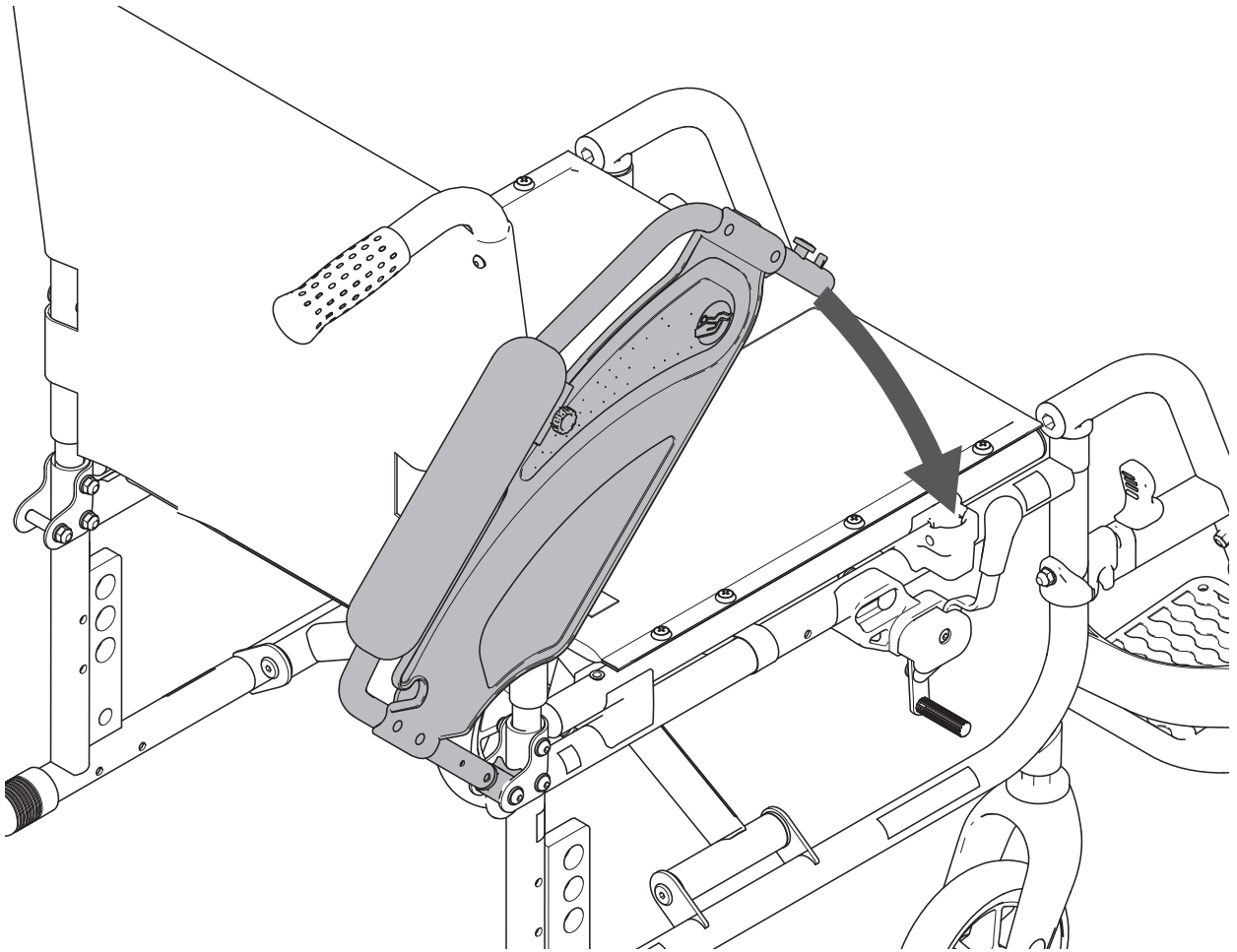
 **Breezy**[®]



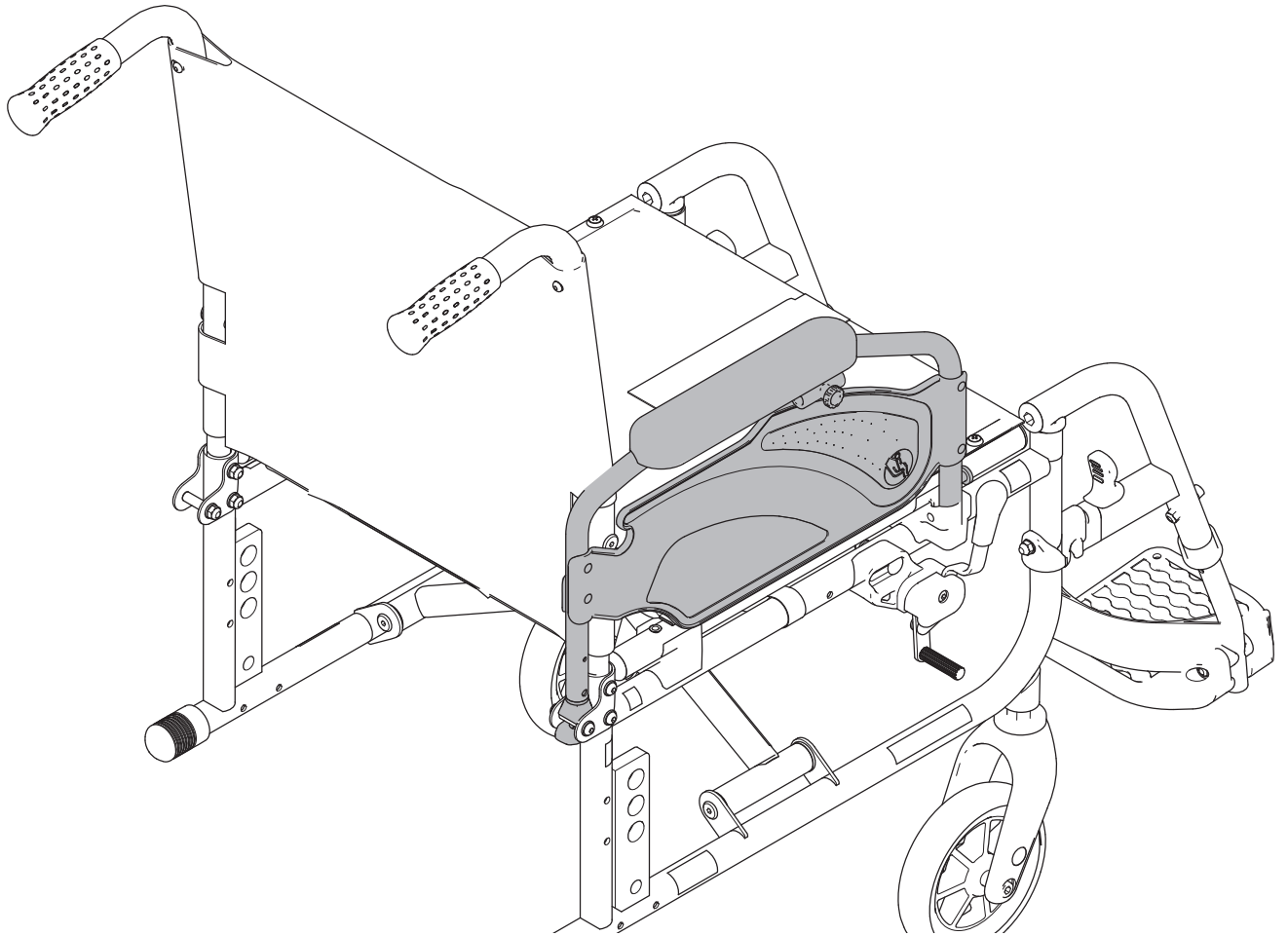
2



3



4



Sunrise Medical HCM B.V.
Vossenbeemd 104
5705 CL Helmond
The Netherlands

T: +31 (0)492 593 888
customerservice@sunrisemedical.nl
www.SunriseMedical.eu