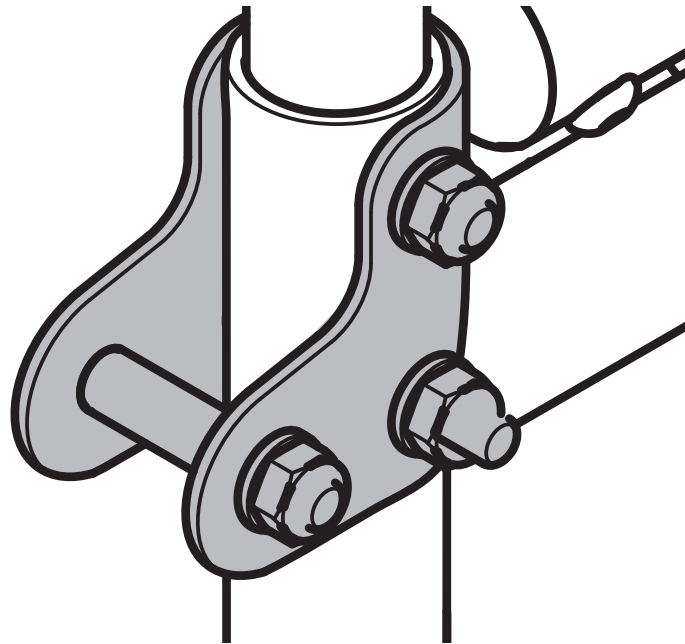


ASSEMBLY INSTRUCTION

# Assembly material for flip up armrest



**Description**

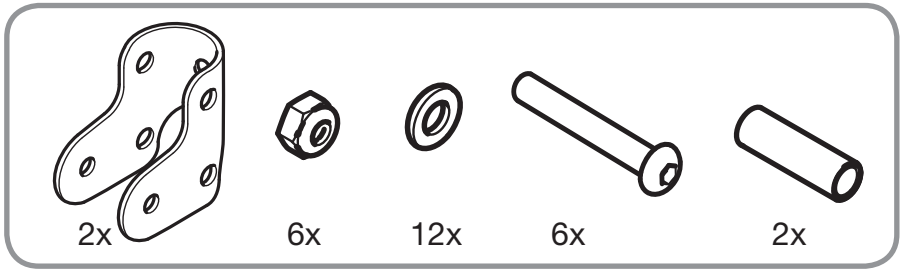
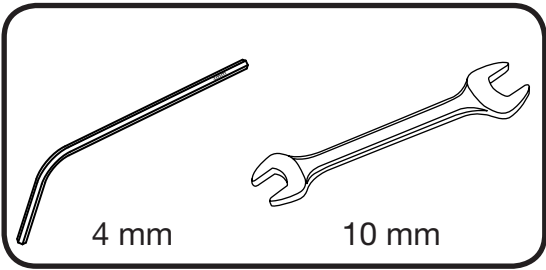
Assembly material for flip up armrest

**Article number**

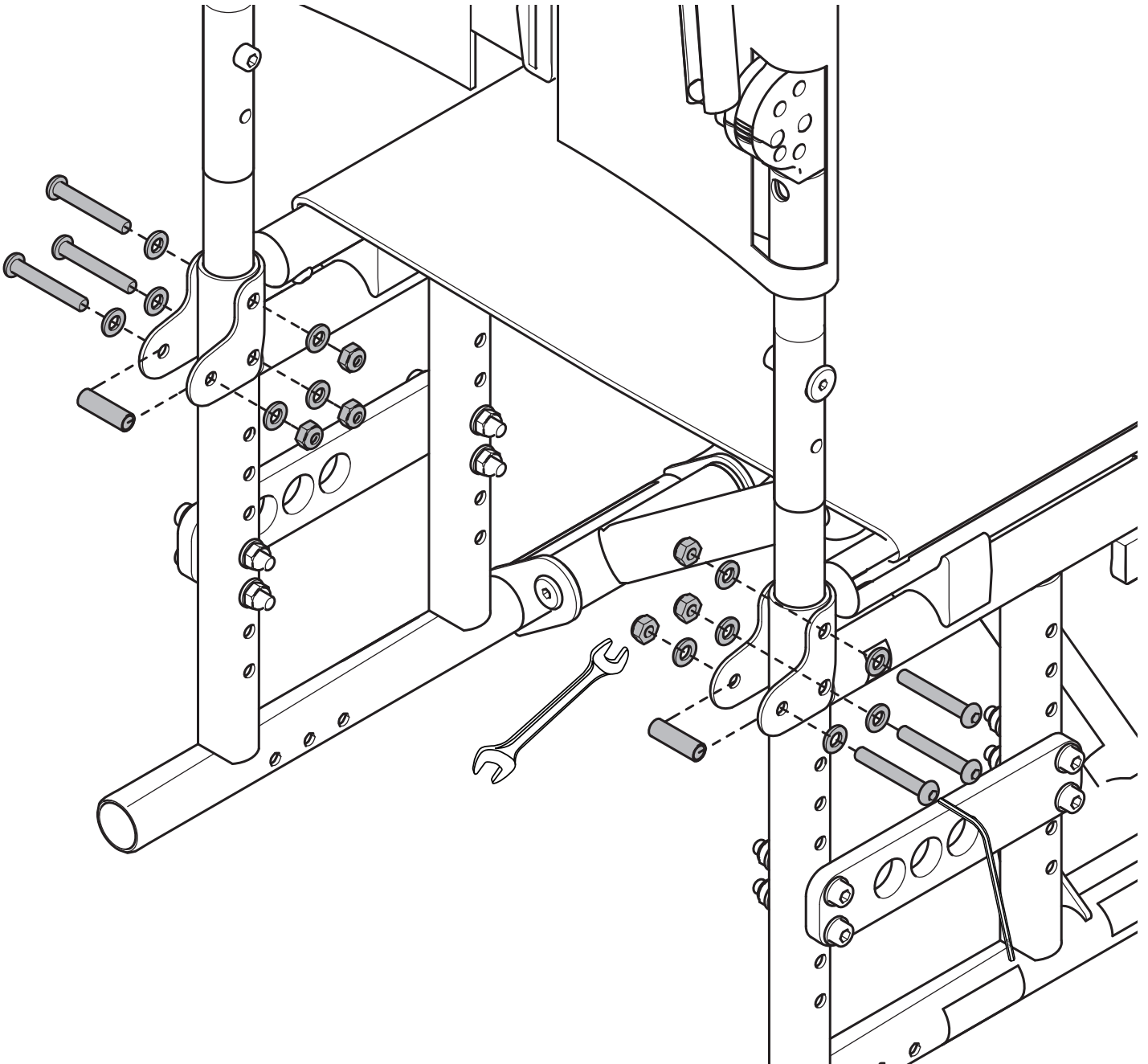


3346118

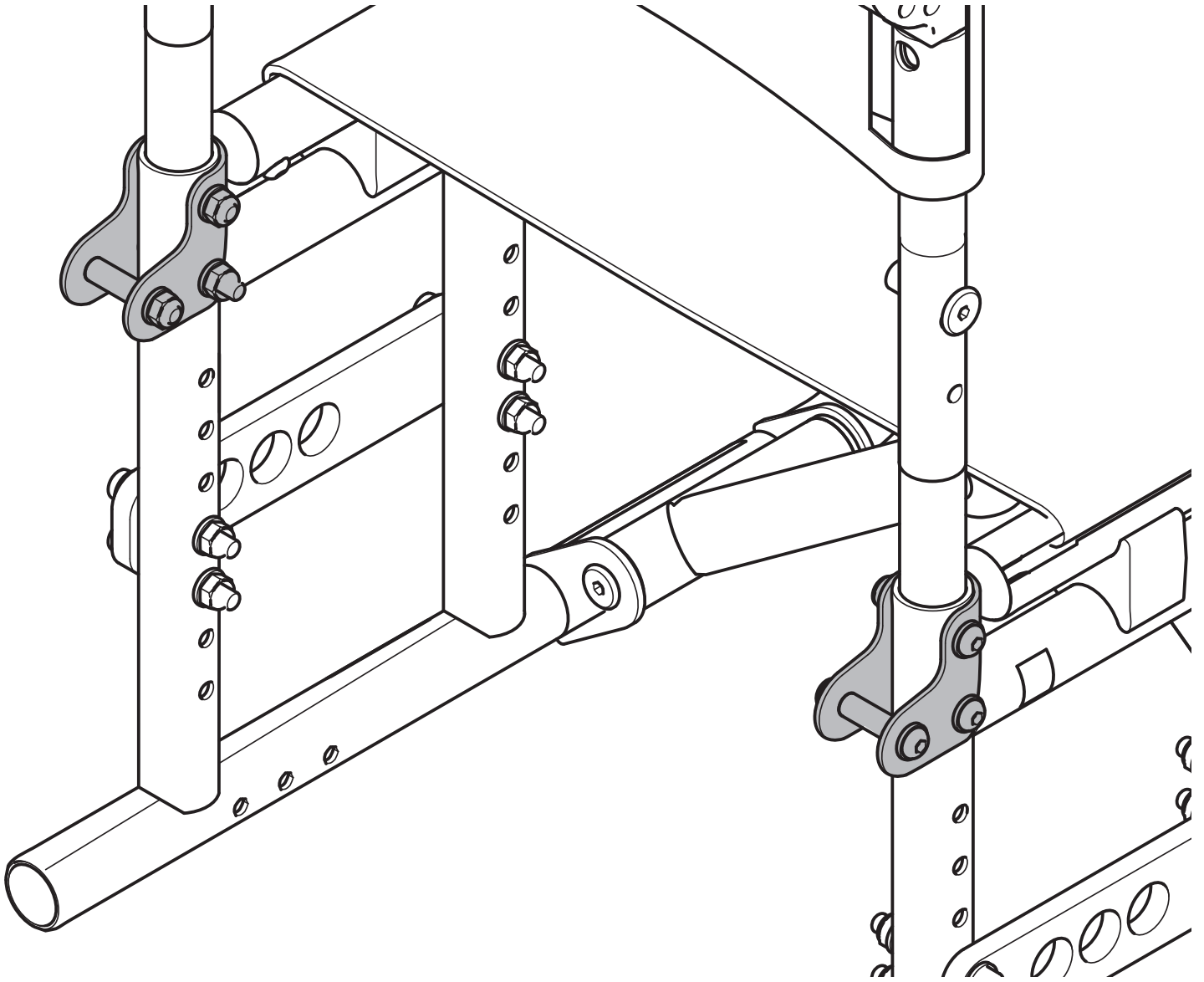




1



2





Sunrise Medical HCM B.V.  
Vossenbeemd 104  
5705 CL Helmond  
The Netherlands

T: +31 (0)492 593 888  
[customerservice@sunrisemedical.nl](mailto:customerservice@sunrisemedical.nl)  
[www.SunriseMedical.eu](http://www.SunriseMedical.eu)