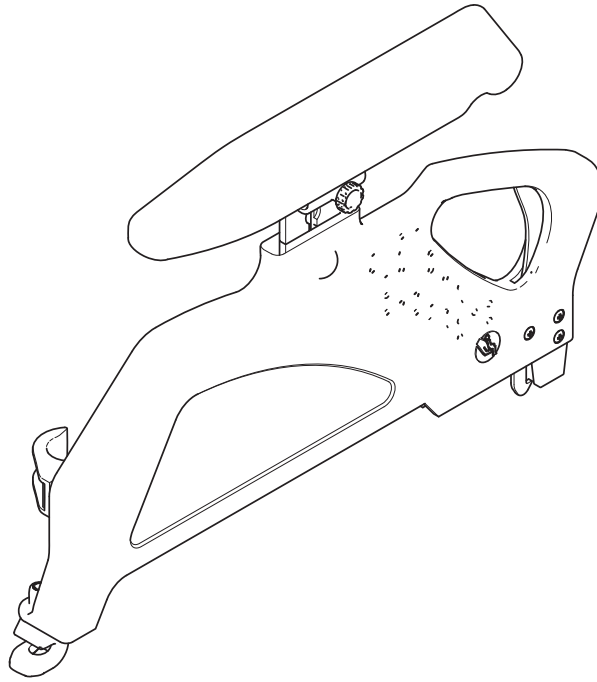


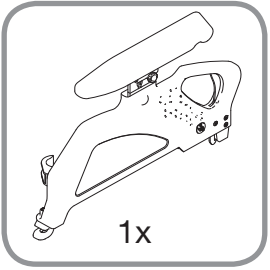
ASSEMBLY INSTRUCTION

Armrest-swing up-height adjustable

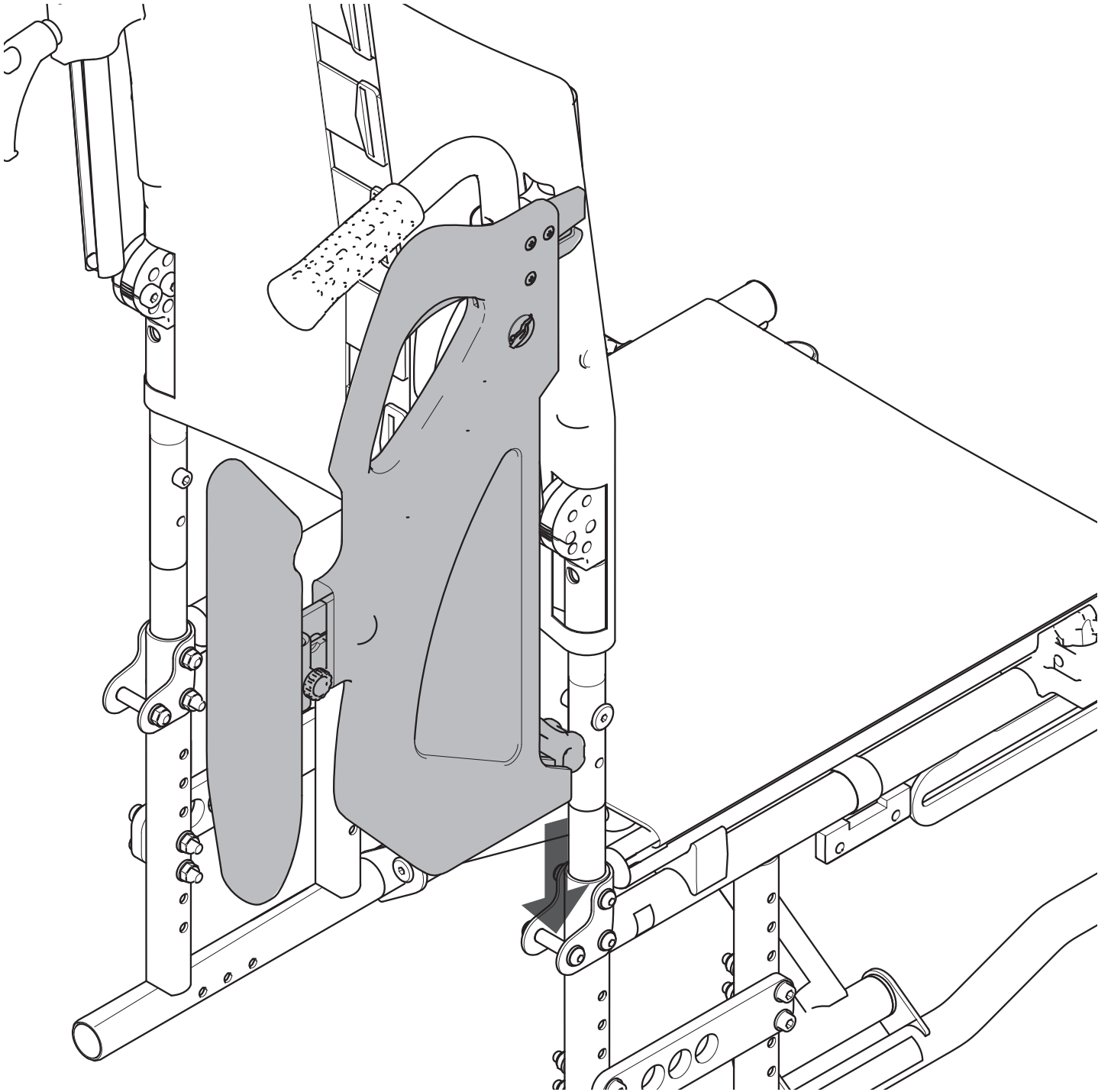


Description	Article number
Armrest, 30 cm pads, RHS	<input type="checkbox"/> 3346110
Armrest, 30 cm pads, LHS	<input type="checkbox"/> 3346111
Armrest, 40 cm pads, RHS	<input type="checkbox"/> 3346115
Armrest, 40 cm pads, LHS	<input type="checkbox"/> 3346116

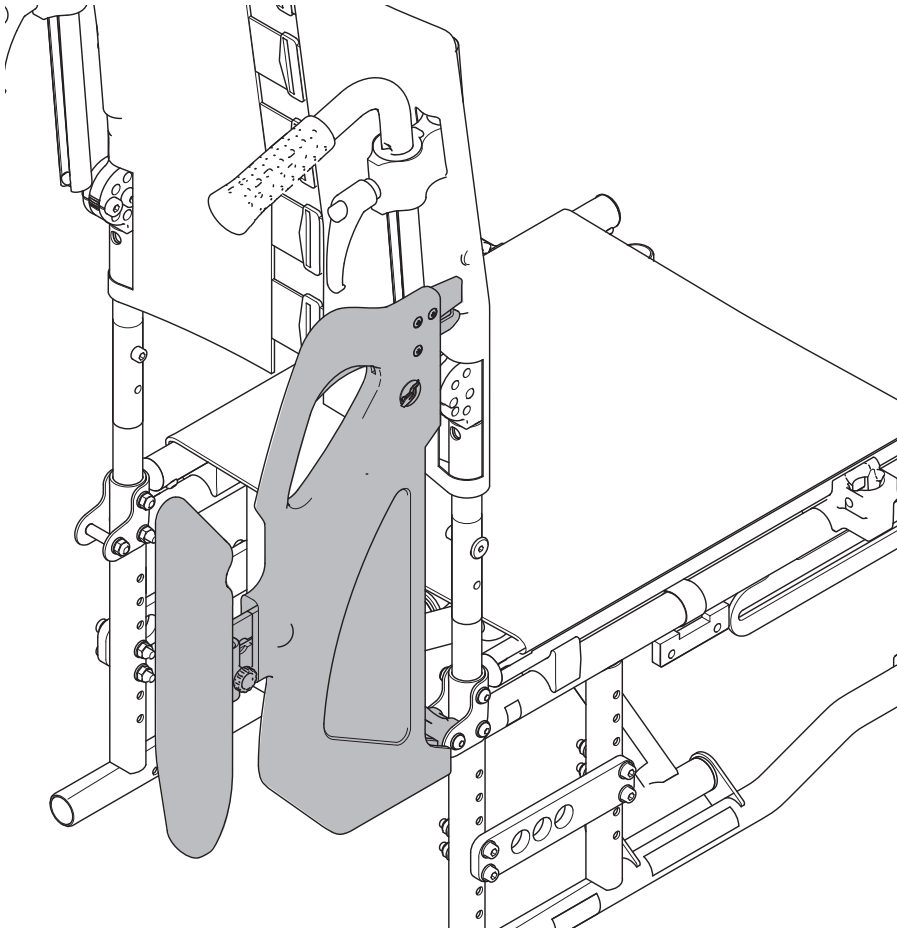




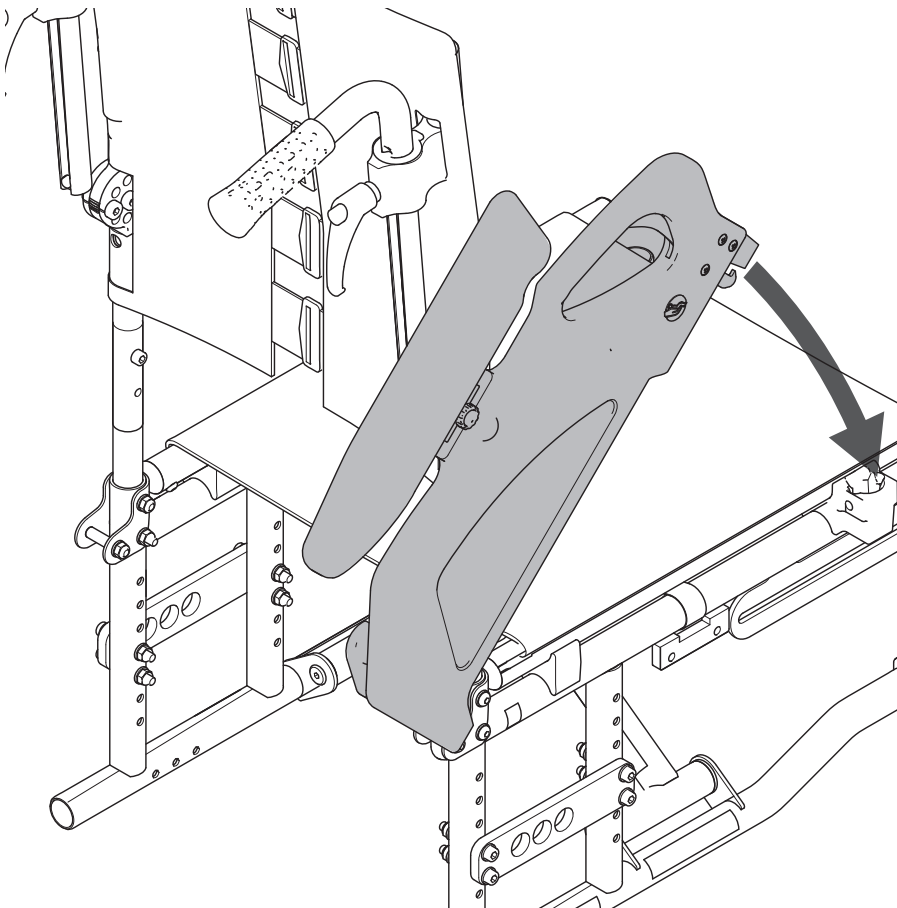
1



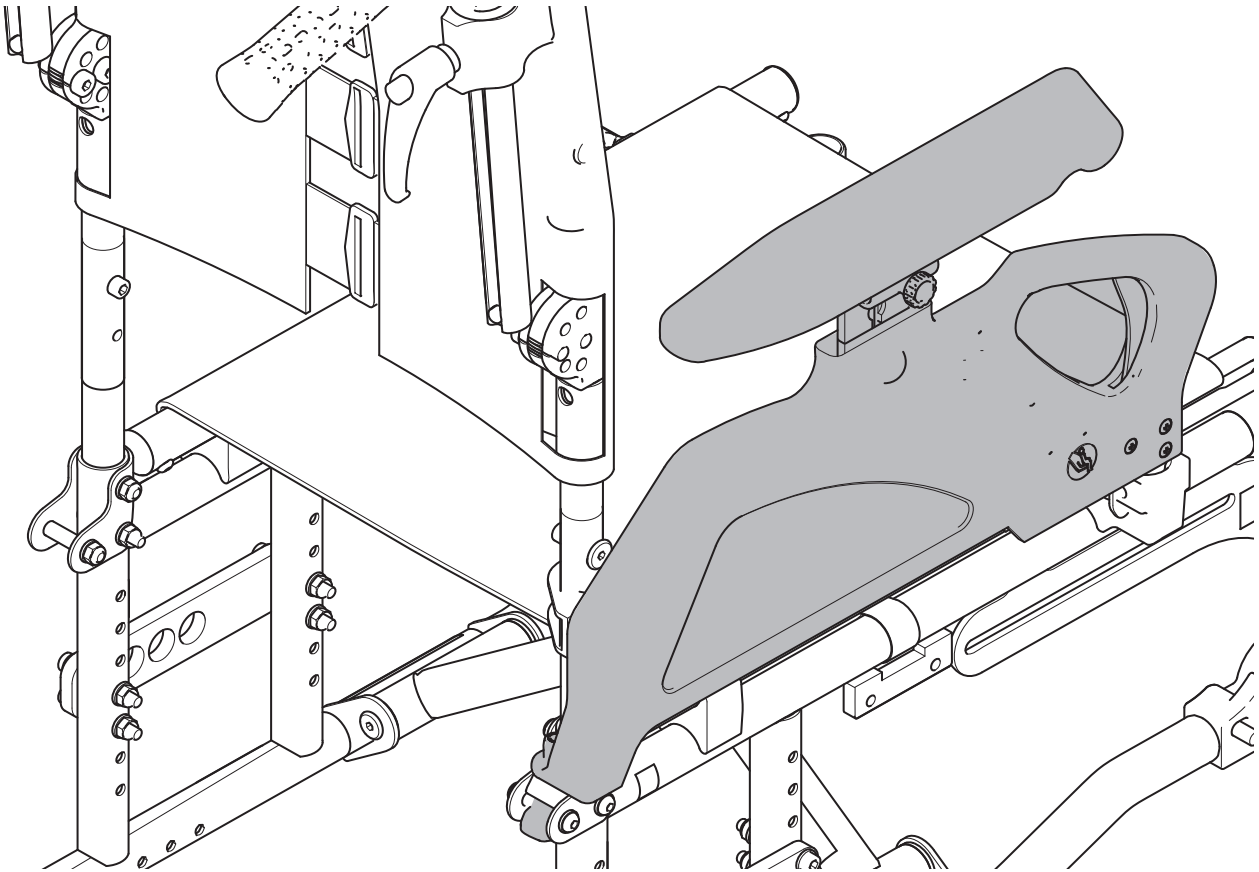
2



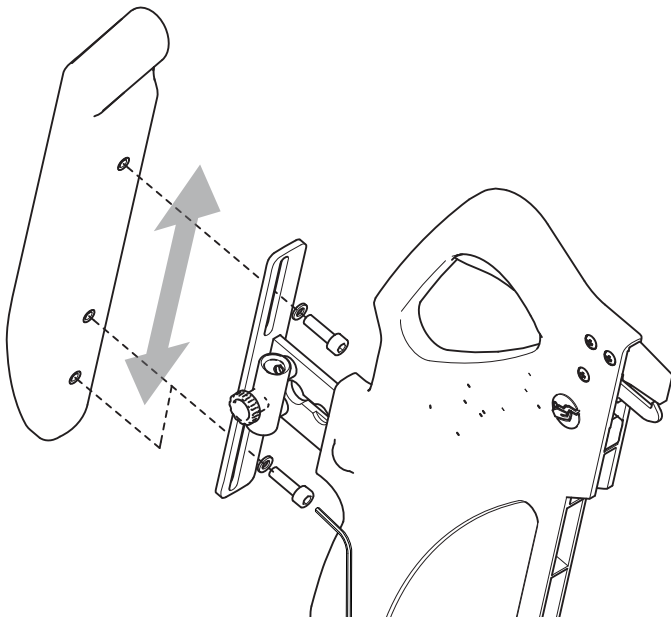
3



4



5



Sunrise Medical HCM B.V.
Vossenbeemd 104
5705 CL Helmond
The Netherlands

T: +31 (0)492 593 888
customerservice@sunrisemedical.nl
www.SunriseMedical.eu