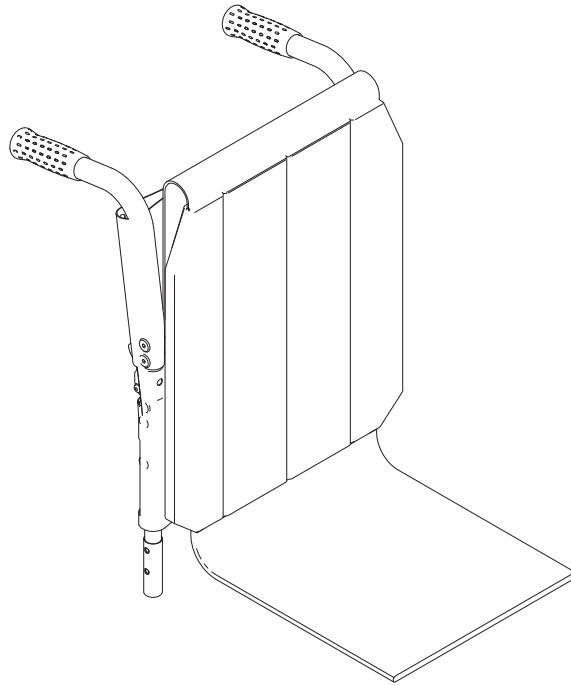


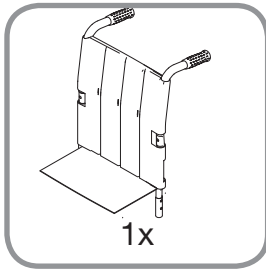
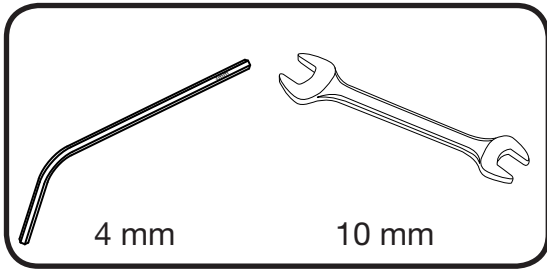
ASSEMBLY INSTRUCTION

Half folding back Velcro

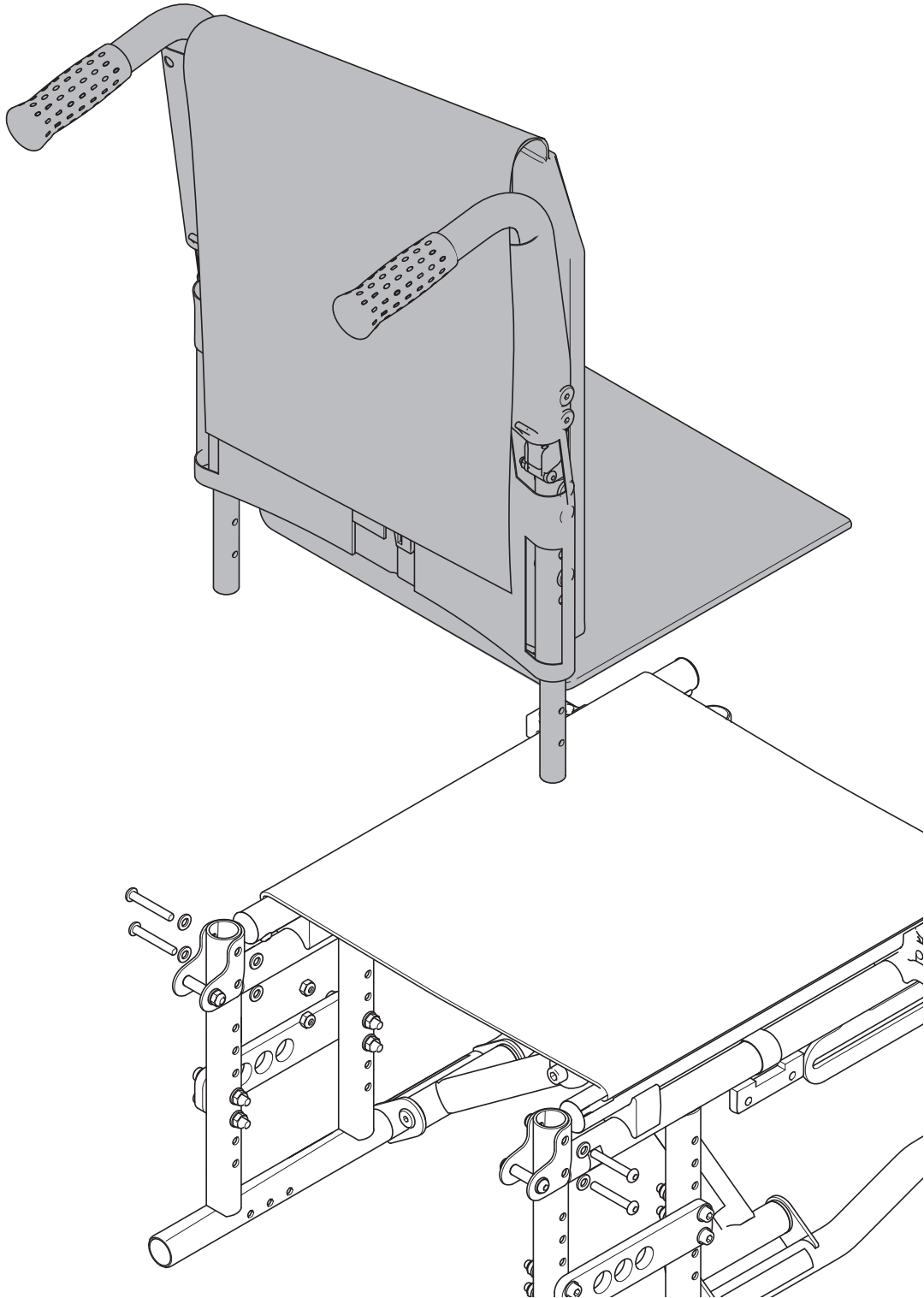


Description	Article number	
Half folding back - Velcro SW 36	<input type="checkbox"/>	3345070
Half folding back - Velcro SW 39	<input type="checkbox"/>	3345071
Half folding back - Velcro SW 42	<input type="checkbox"/>	3345072
Half folding back - Velcro SW 45	<input type="checkbox"/>	3345073
Half folding back - Velcro SW 48	<input type="checkbox"/>	3345074
Half folding back - Velcro SW 51	<input type="checkbox"/>	3345075

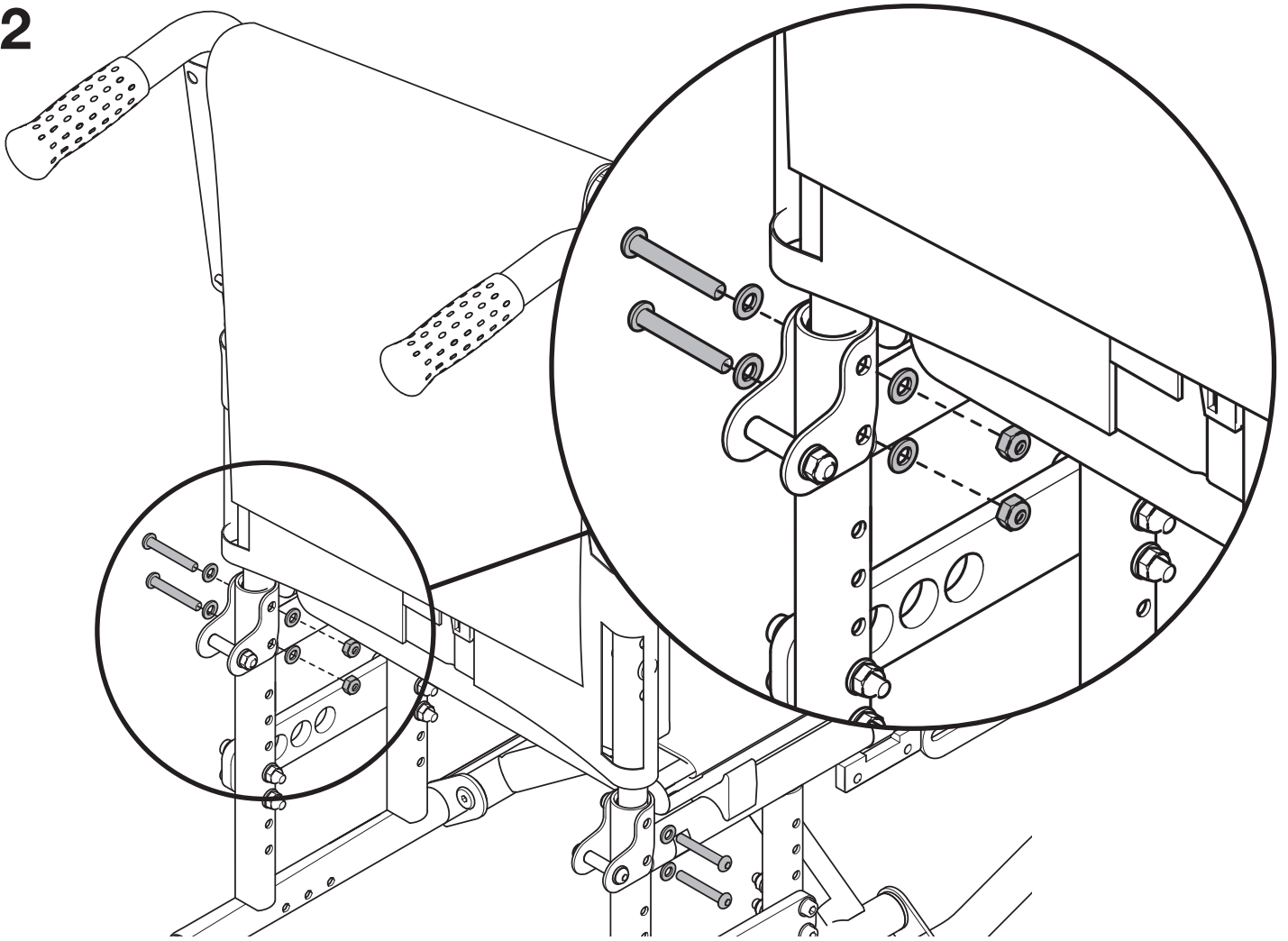
 **Breezy**[®]



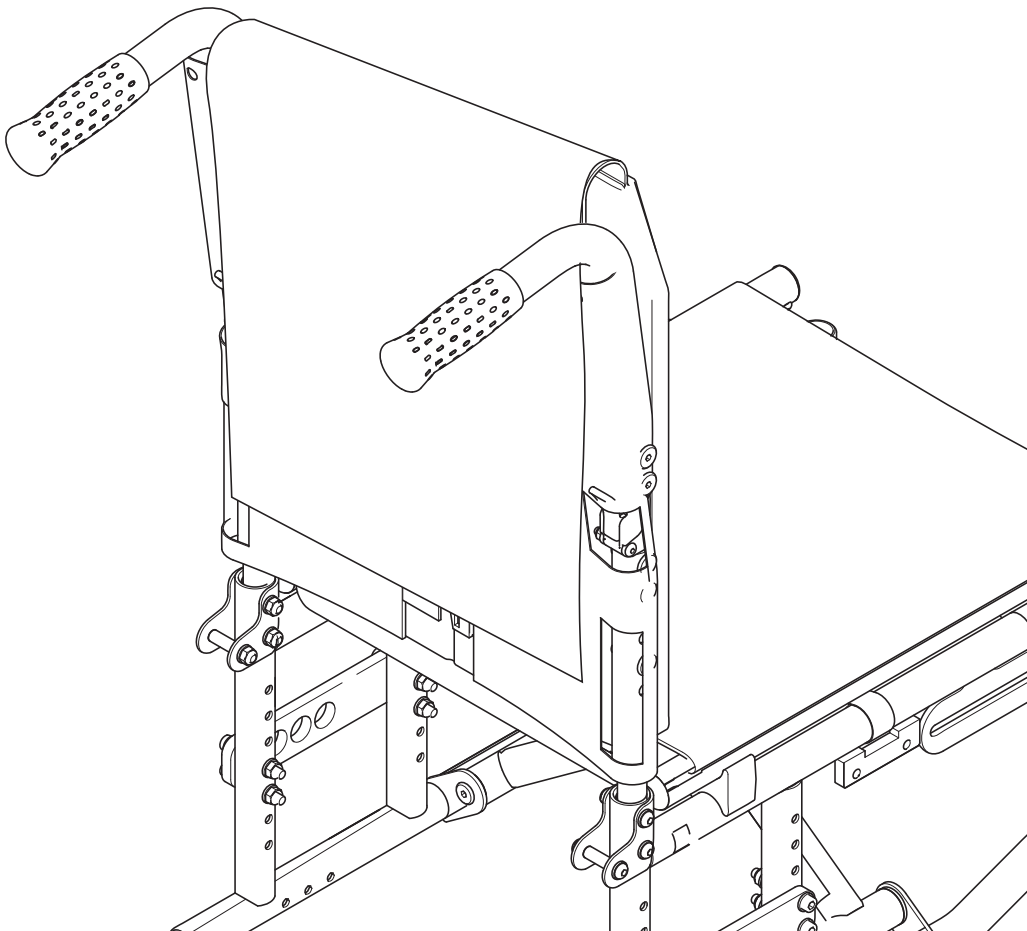
1



2



3





Sunrise Medical HCM B.V.
Vossenbeemd 104
5705 CL Helmond
The Netherlands

T: +31 (0)492 593 888
customerservice@sunrisemedical.nl
www.SunriseMedical.eu