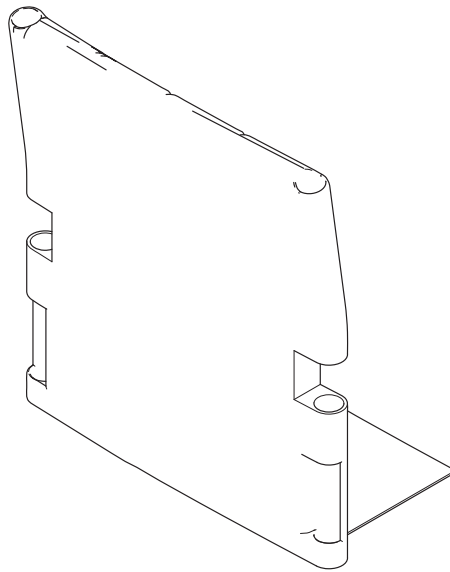


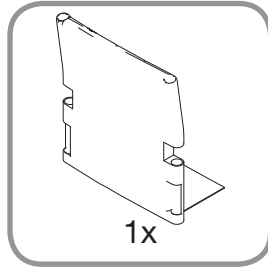
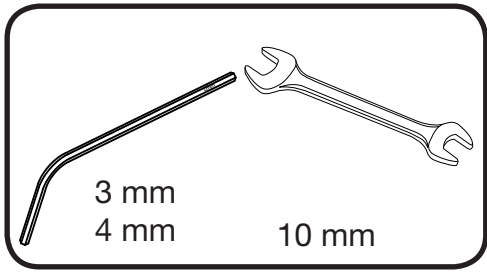
## ASSEMBLY INSTRUCTION

# Sling back textiles for half folding back

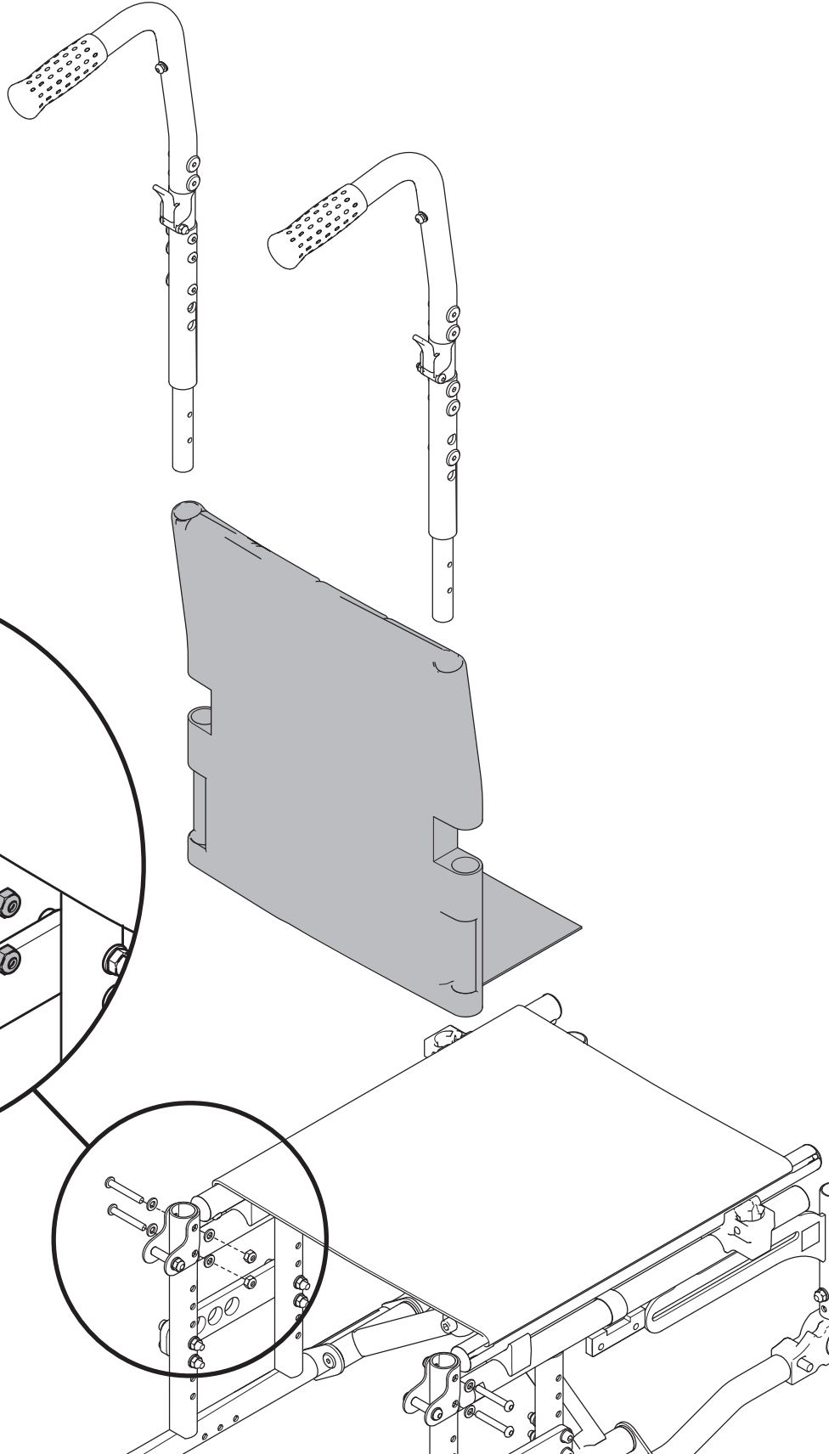


<b>Description</b>	<b>Article number</b>	
Sling back textiles for half folding back SW 36	<input type="checkbox"/>	3345470
Sling back textiles for half folding back SW 39	<input type="checkbox"/>	3345471
Sling back textiles for half folding back SW 42	<input type="checkbox"/>	3345472
Sling back textiles for half folding back SW 45	<input type="checkbox"/>	3345473
Sling back textiles for half folding back SW 48	<input type="checkbox"/>	3345474
Sling back textiles for half folding back SW 51	<input type="checkbox"/>	3345475

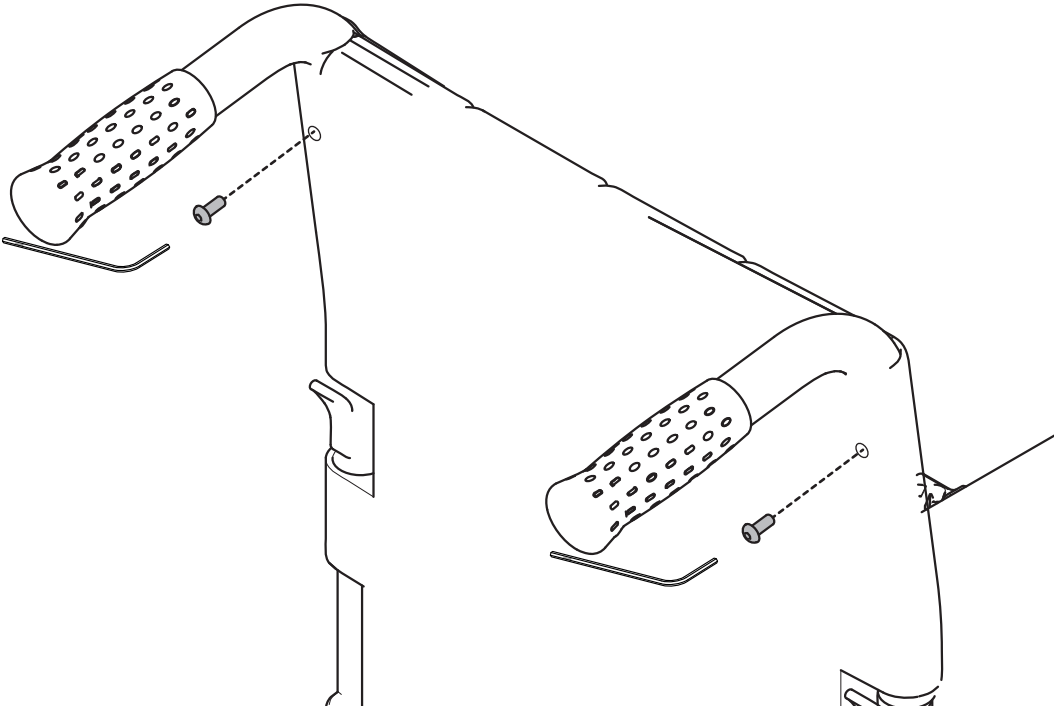




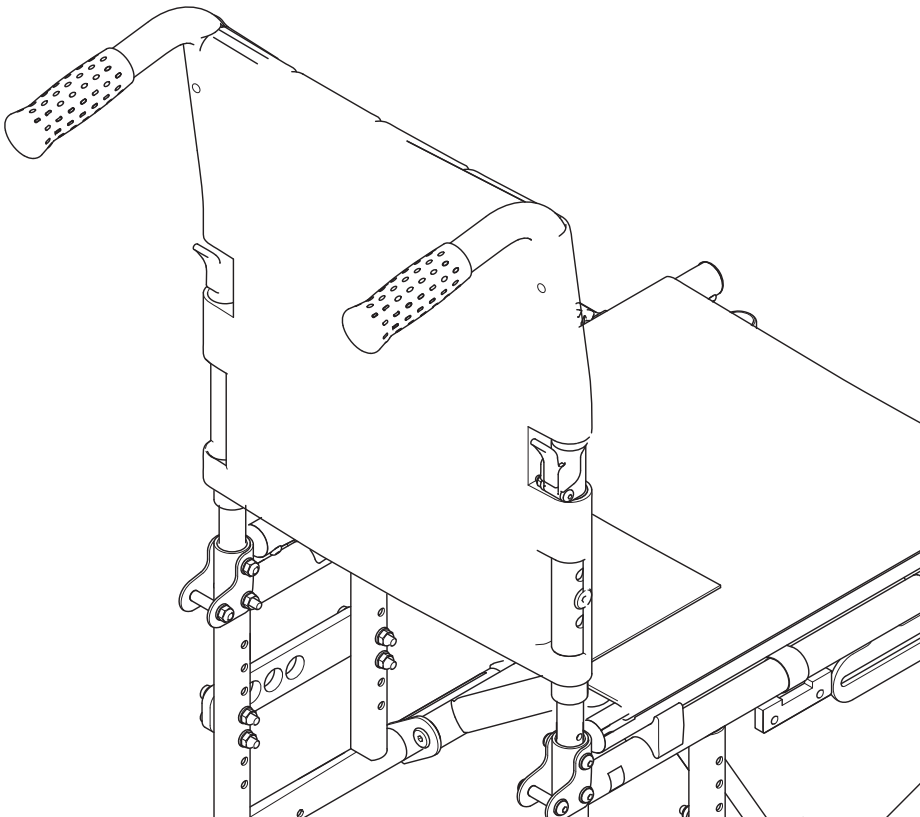
1



2



3





Sunrise Medical HCM B.V.  
Vossenbeemd 104  
5705 CL Helmond  
The Netherlands

T: +31 (0)492 593 888  
[customerservice@sunrisemedical.nl](mailto:customerservice@sunrisemedical.nl)  
[www.SunriseMedical.eu](http://www.SunriseMedical.eu)