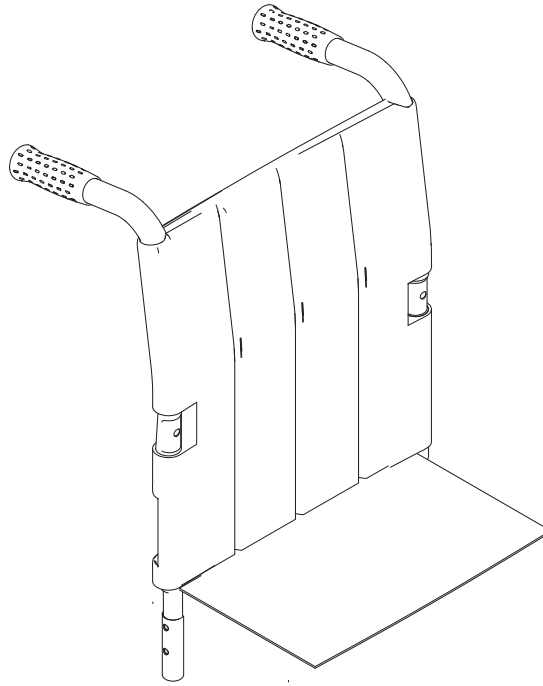


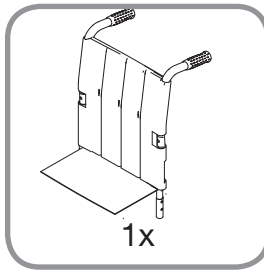
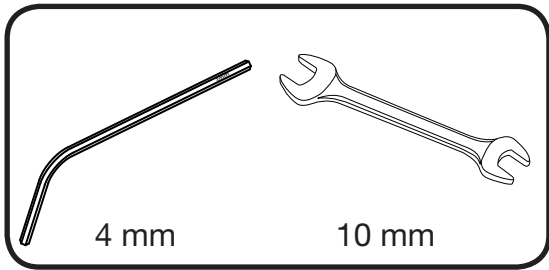
ASSEMBLY INSTRUCTION

Half folding back - Sling back

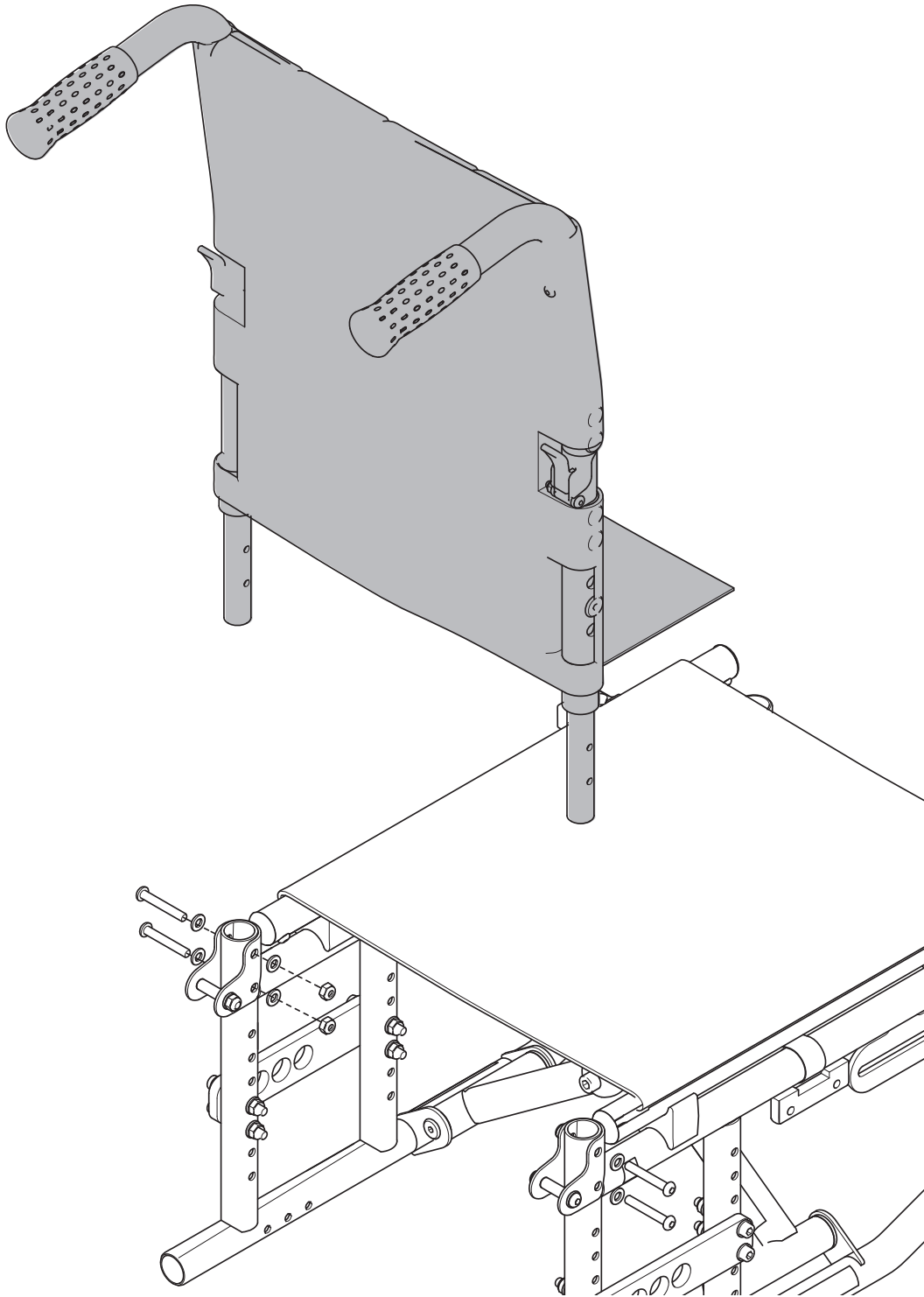


Description	Article number
Half folding back - Sling back SW 36	<input type="checkbox"/> 3345060
Half folding back - Sling back SW 39	<input type="checkbox"/> 3345061
Half folding back - Sling back SW 42	<input type="checkbox"/> 3345062
Half folding back - Sling back SW 45	<input type="checkbox"/> 3345063
Half folding back - Sling back SW 48	<input type="checkbox"/> 3345064
Half folding back - Sling back SW 51	<input type="checkbox"/> 3345065

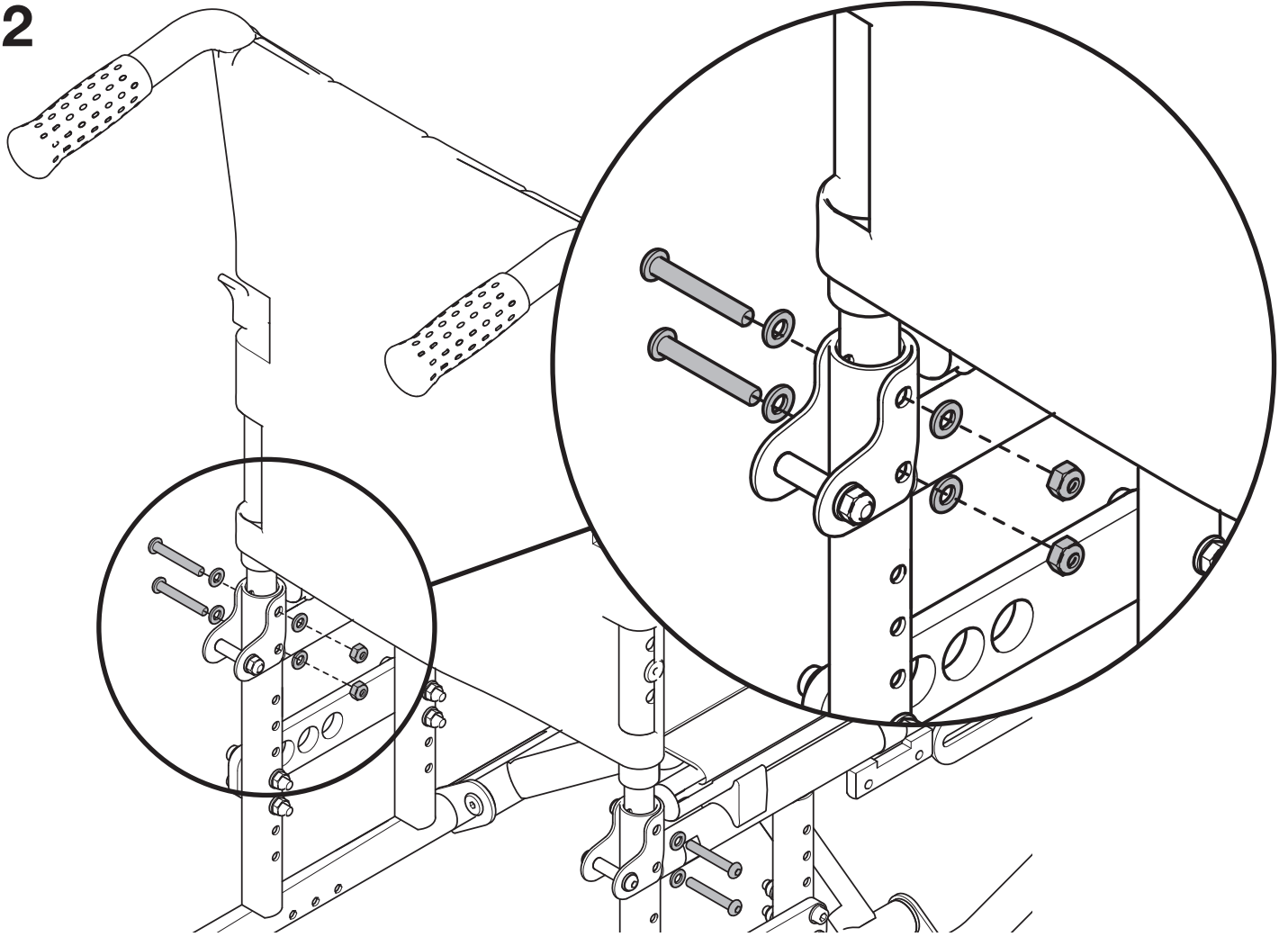




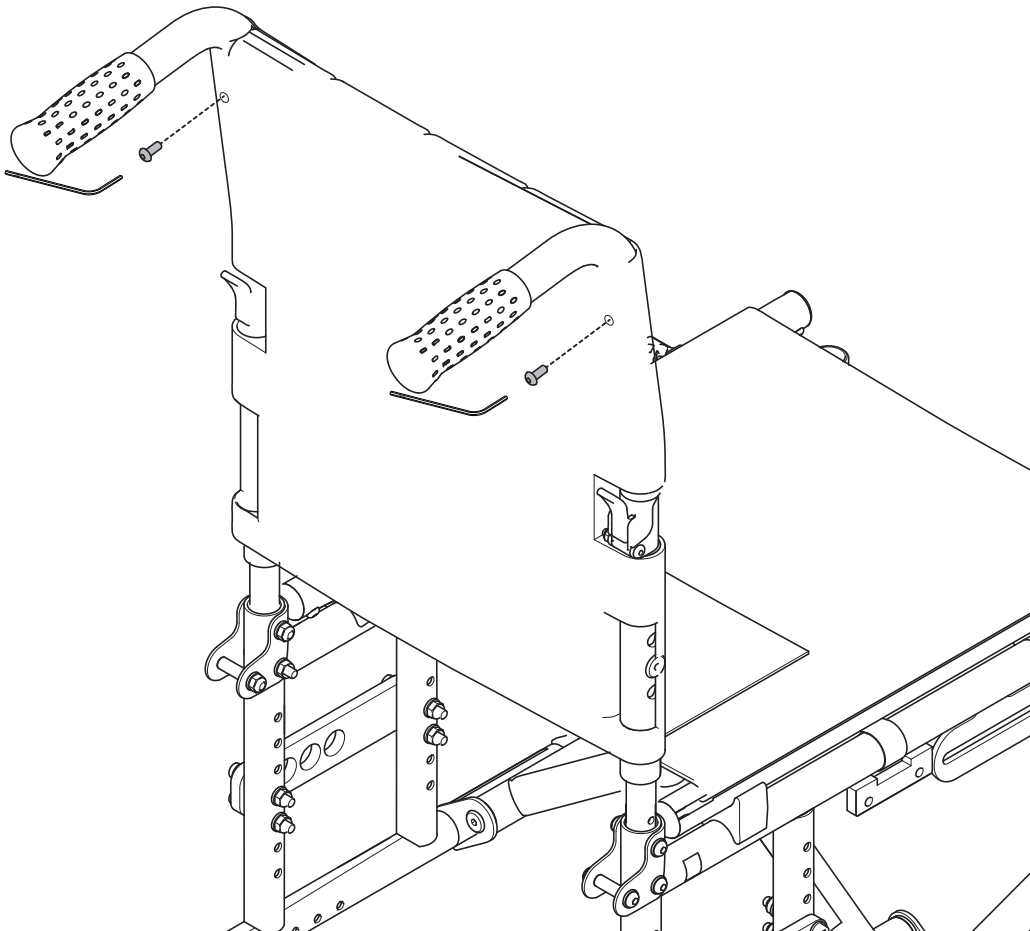
1



2



3





Sunrise Medical HCM B.V.
Vossenbeemd 104
5705 CL Helmond
The Netherlands

T: +31 (0)492 593 888
customerservice@sunrisemedical.nl
www.SunriseMedical.eu