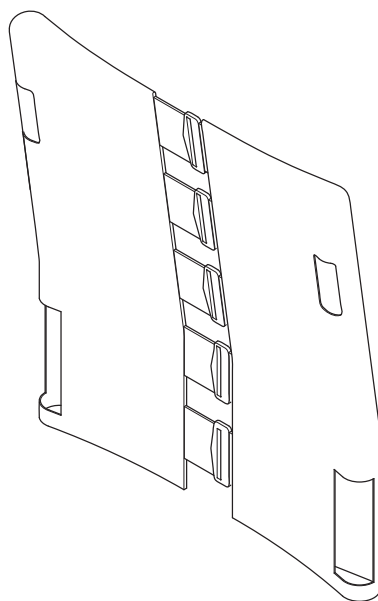


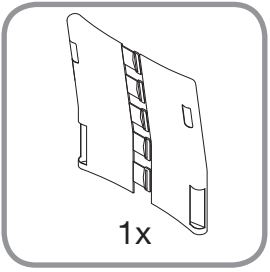
ASSEMBLY INSTRUCTION

Velcro back with 5 straps

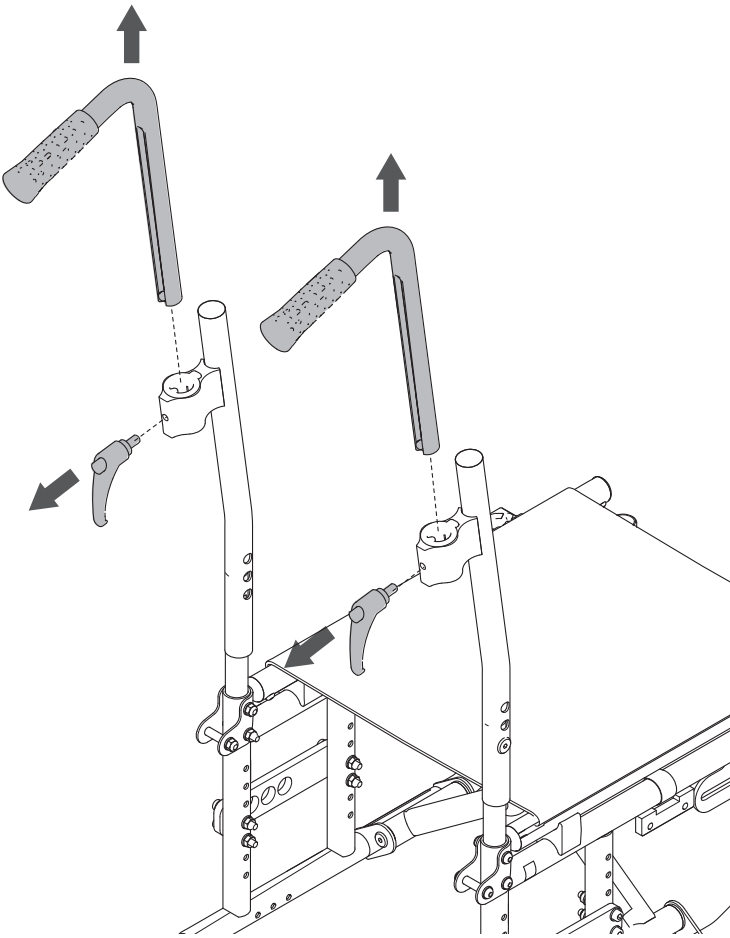


Description	Article number
Velcro back with 5 straps SW 36-39	<input type="checkbox"/> 3345350
Velcro back with 5 straps SW 42-45	<input type="checkbox"/> 3345351
Velcro back with 5 straps SW 48-51	<input type="checkbox"/> 3345352

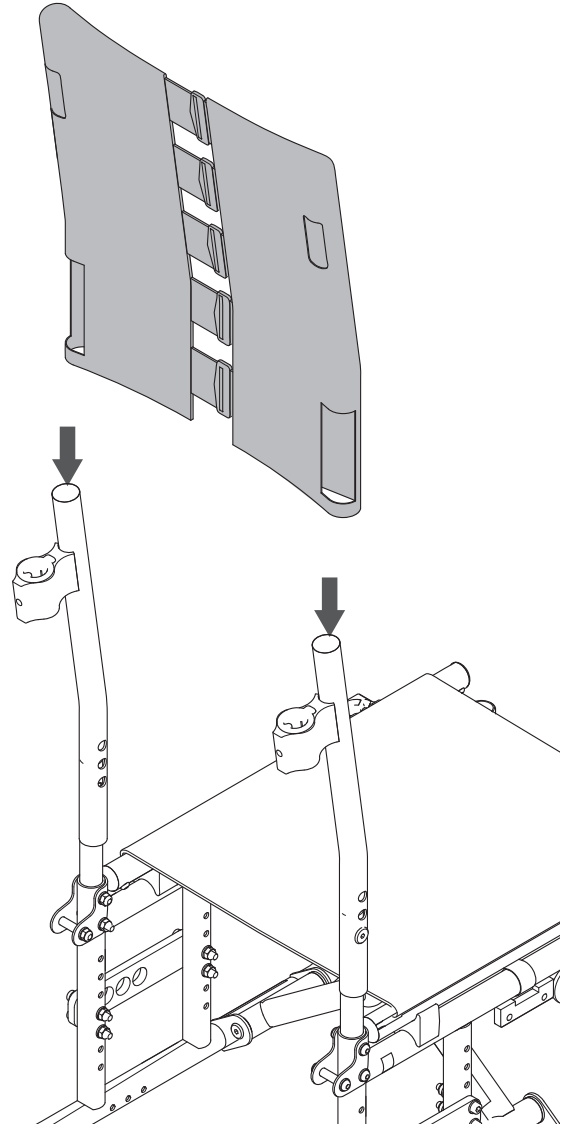




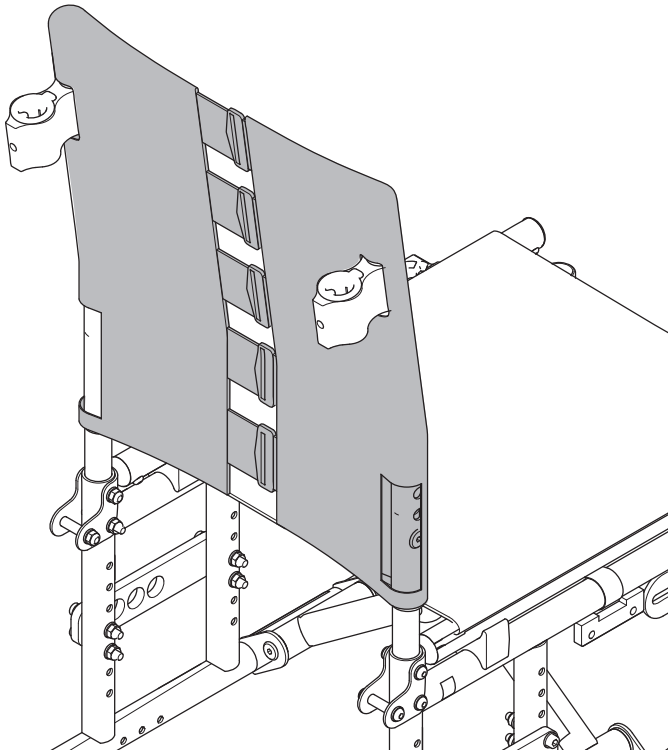
1



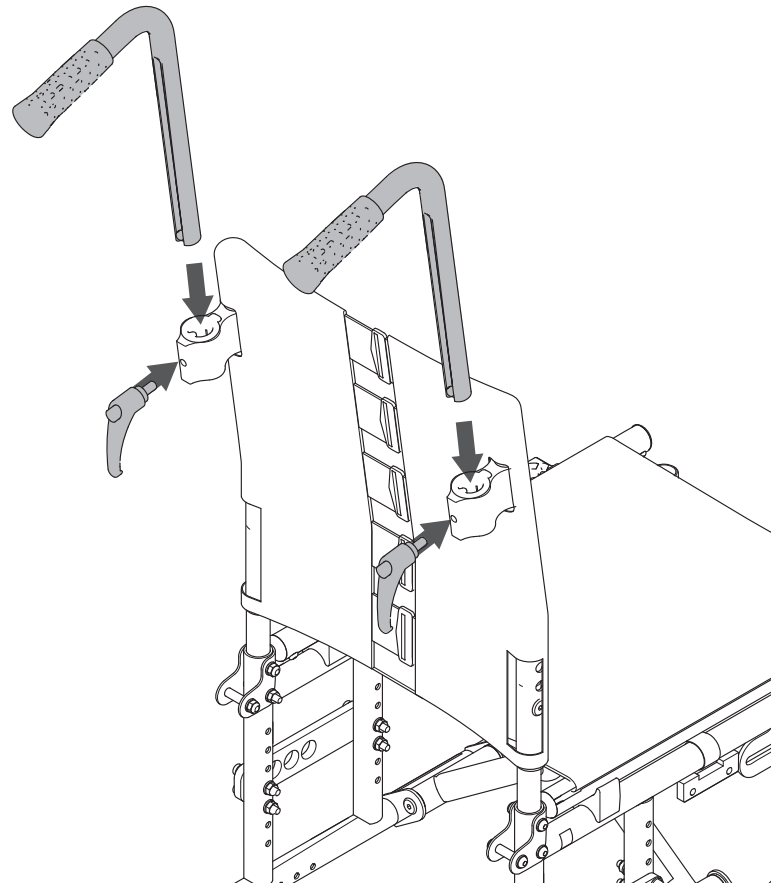
2



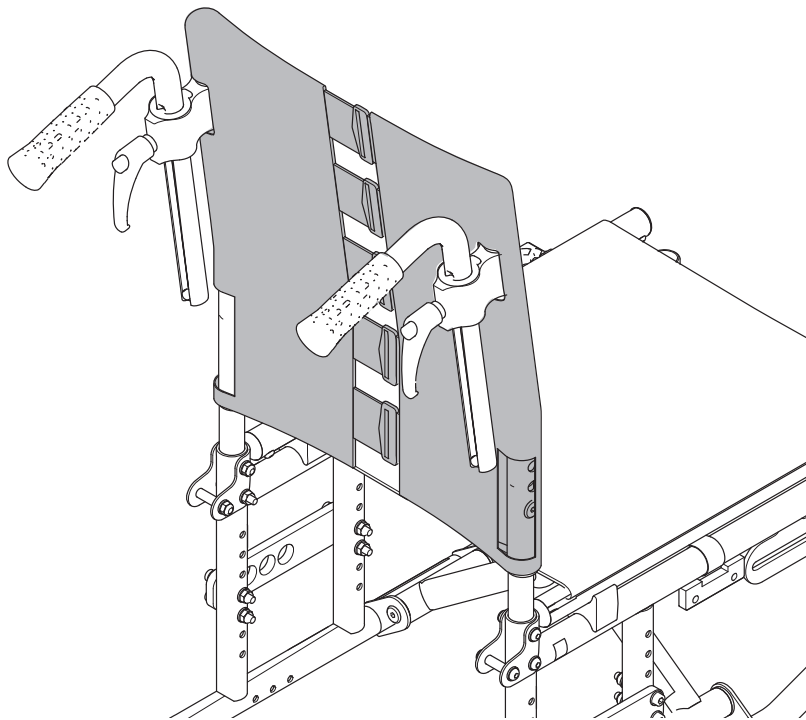
3



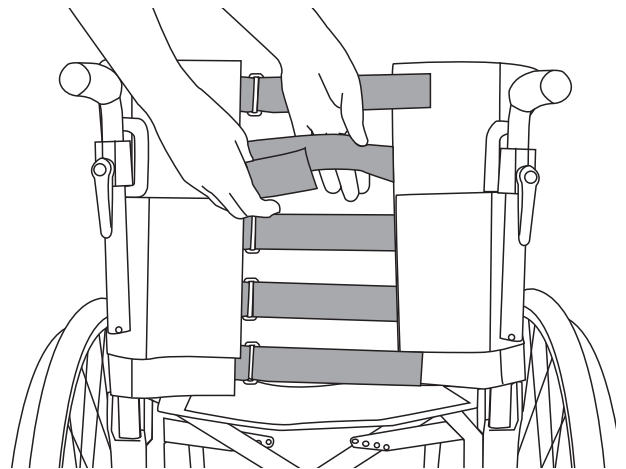
4



5



6





Sunrise Medical HCM B.V.
Vossenbeemd 104
5705 CL Helmond
The Netherlands

T: +31 (0)492 593 888
customerservice@sunrisemedical.nl
www.SunriseMedical.eu