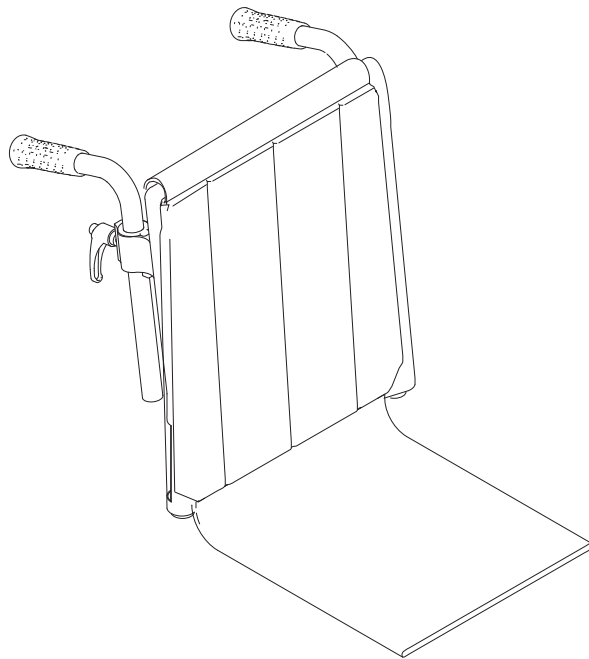


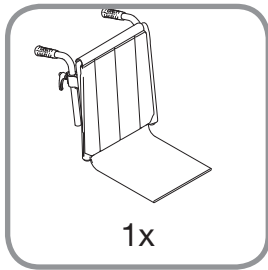
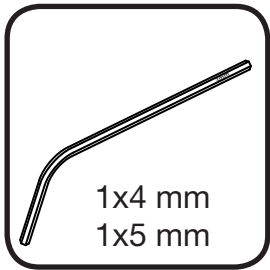
## ASSEMBLY INSTRUCTION

# Velcro back with hight adjustable push handles

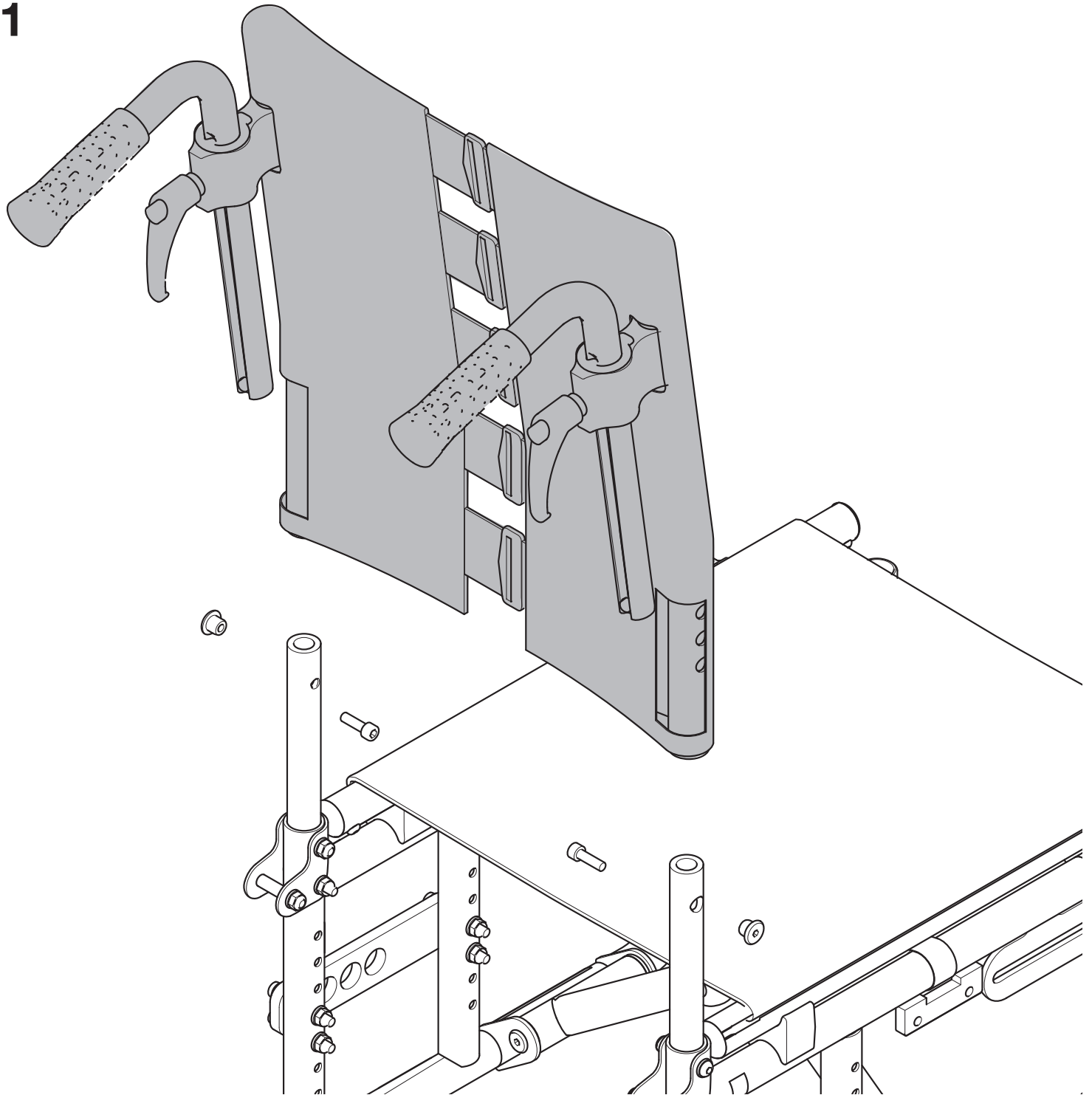


<b>Description</b>	<b>Article number</b>	
Velcro back with hight adjustable push handles SW 36	<input type="checkbox"/>	3345010
Velcro back with hight adjustable push handles SW 39	<input type="checkbox"/>	3345011
Velcro back with hight adjustable push handles SW 42	<input type="checkbox"/>	3345012
Velcro back with hight adjustable push handles SW 45	<input type="checkbox"/>	3345013
Velcro back with hight adjustable push handles SW 48	<input type="checkbox"/>	3345014
Velcro back with hight adjustable push handles SW 51	<input type="checkbox"/>	3345015

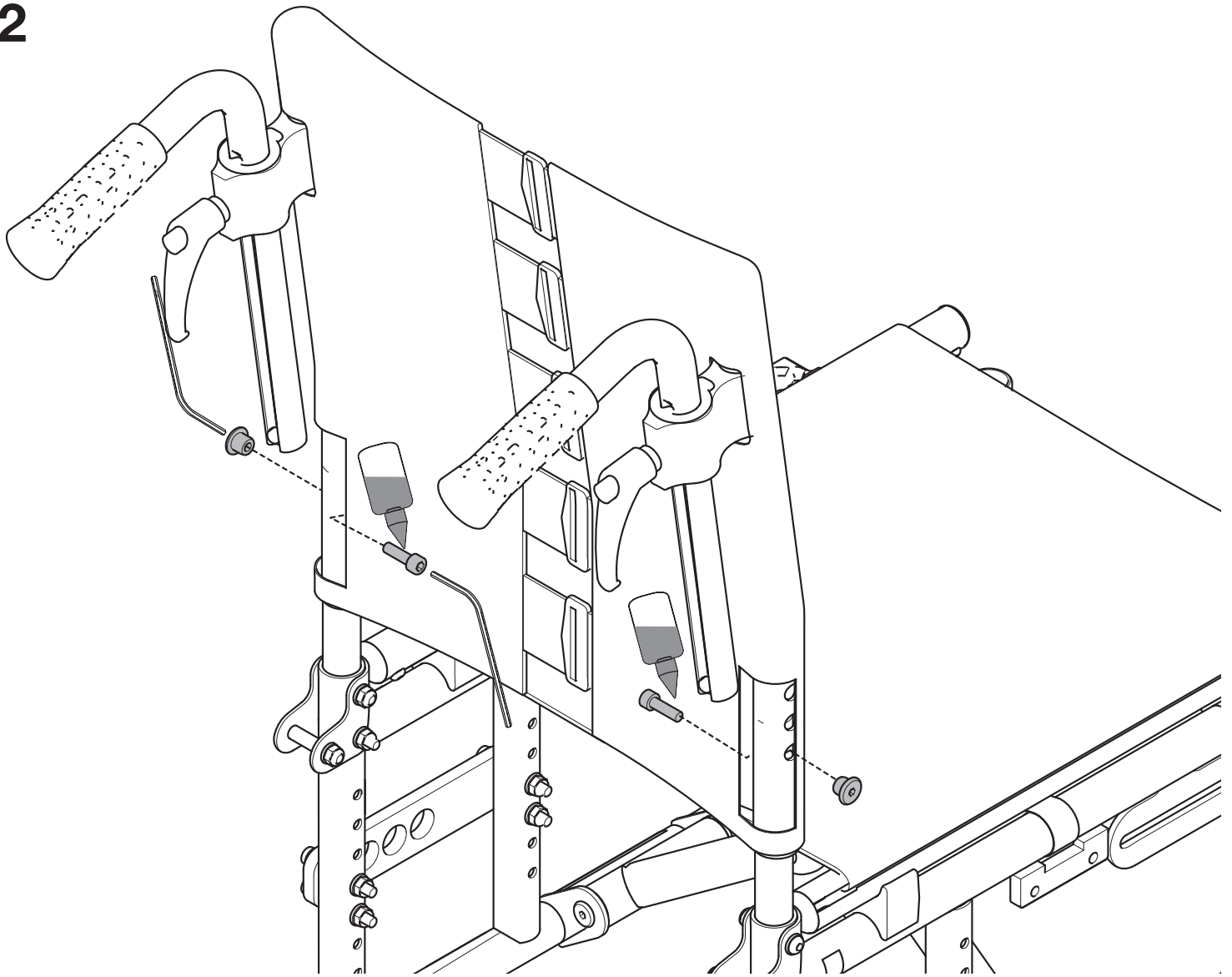




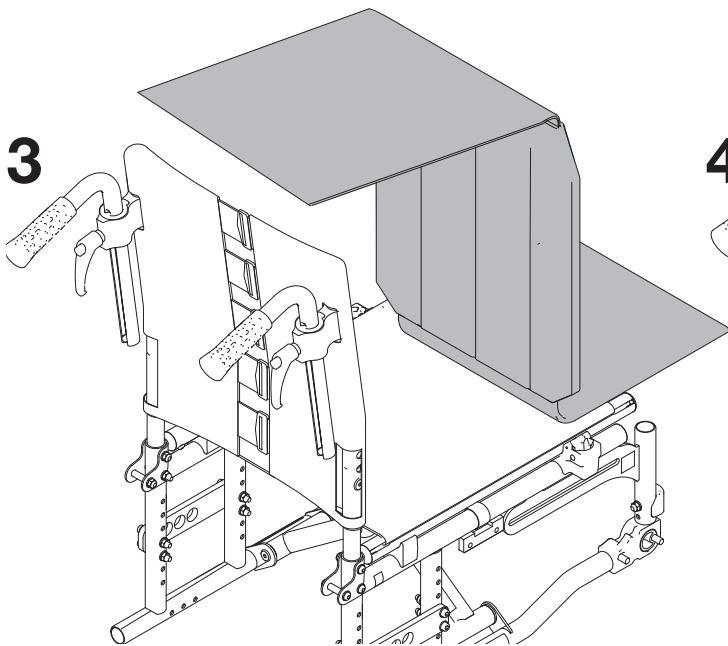
1



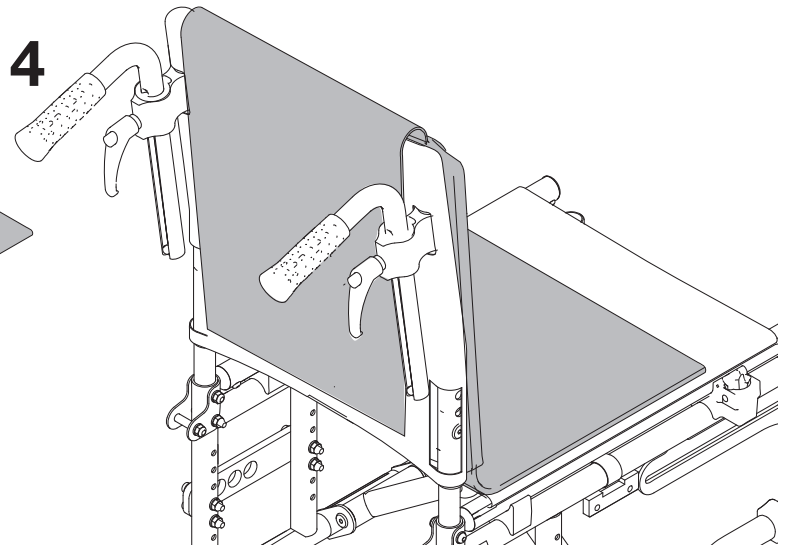
2



3



4





Sunrise Medical HCM B.V.  
Vossenbeemd 104  
5705 CL Helmond  
The Netherlands

T: +31 (0)492 593 888  
[customerservice@sunrisemedical.nl](mailto:customerservice@sunrisemedical.nl)  
[www.SunriseMedical.eu](http://www.SunriseMedical.eu)