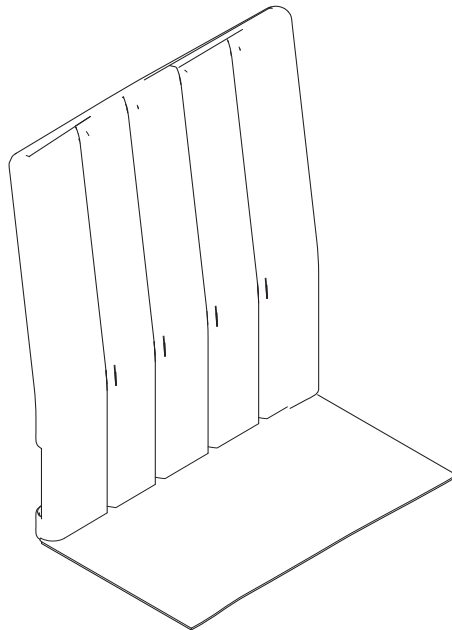


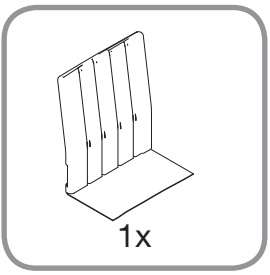
ASSEMBLY INSTRUCTION

Sling back textiles for adjustable push handles

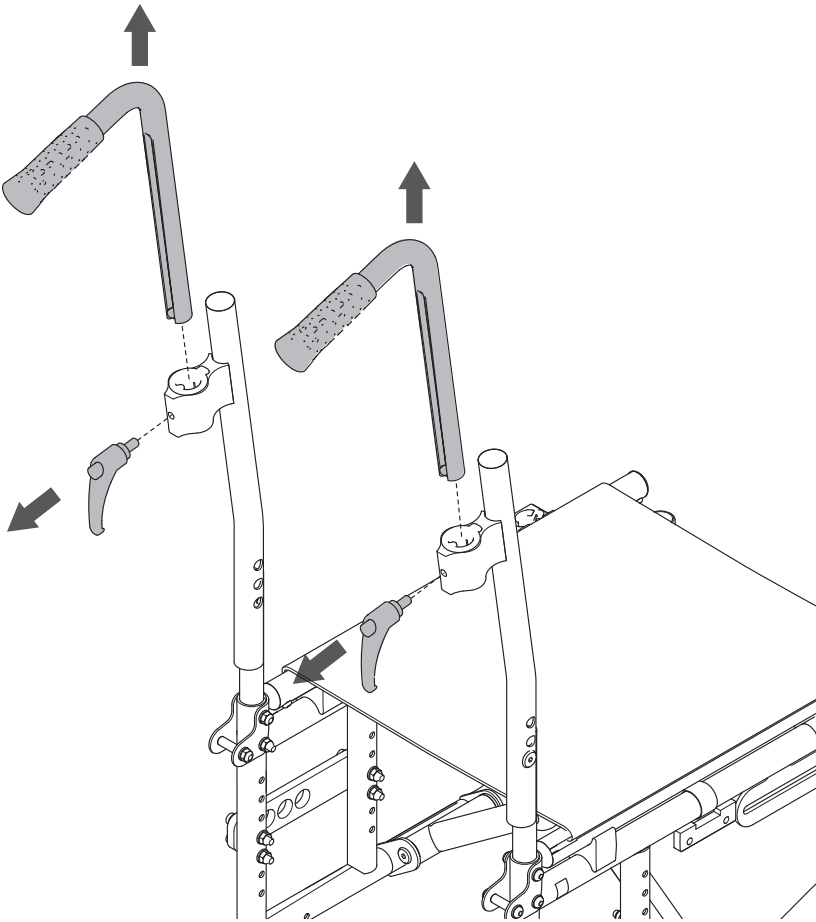


Description	Article number
Sling back textiles for adjustable push handles SW 36	<input type="checkbox"/> 3355336
Sling back textiles for adjustable push handles SW 39	<input type="checkbox"/> 3355339
Sling back textiles for adjustable push handles SW 42	<input type="checkbox"/> 3355342
Sling back textiles for adjustable push handles SW 45	<input type="checkbox"/> 3355345
Sling back textiles for adjustable push handles SW 48	<input type="checkbox"/> 3355348
Sling back textiles for adjustable push handles SW 51	<input type="checkbox"/> 3355351

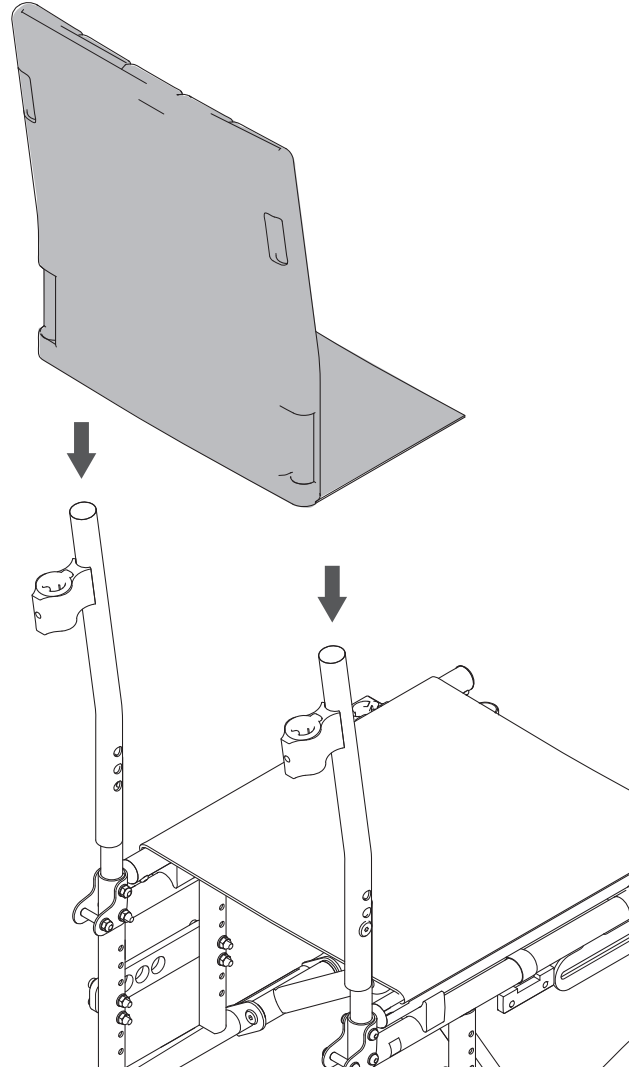




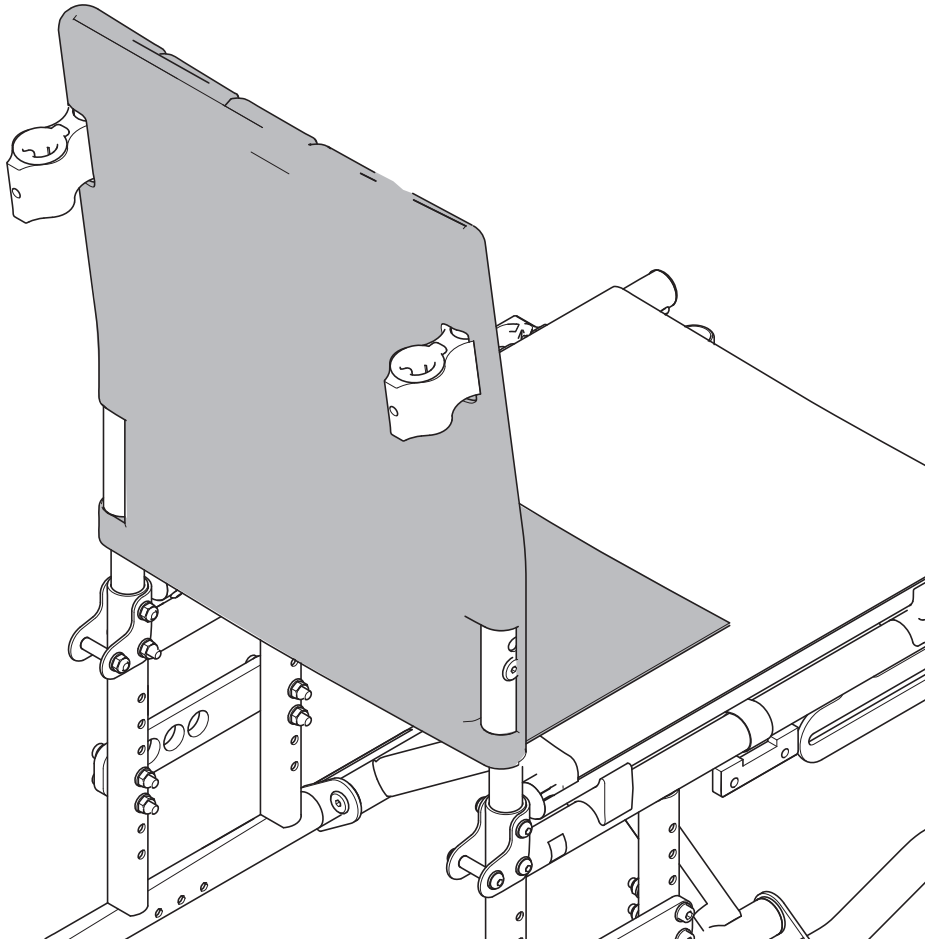
1



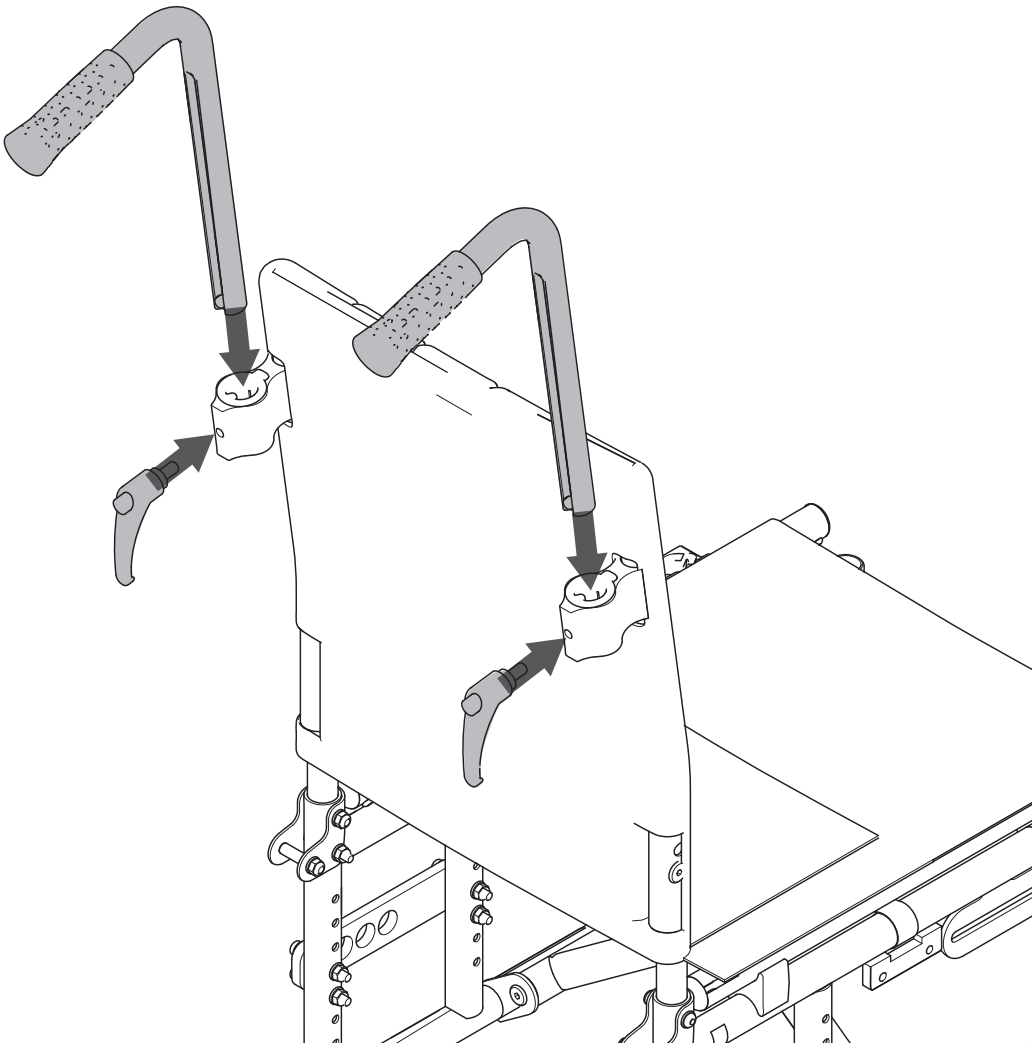
2



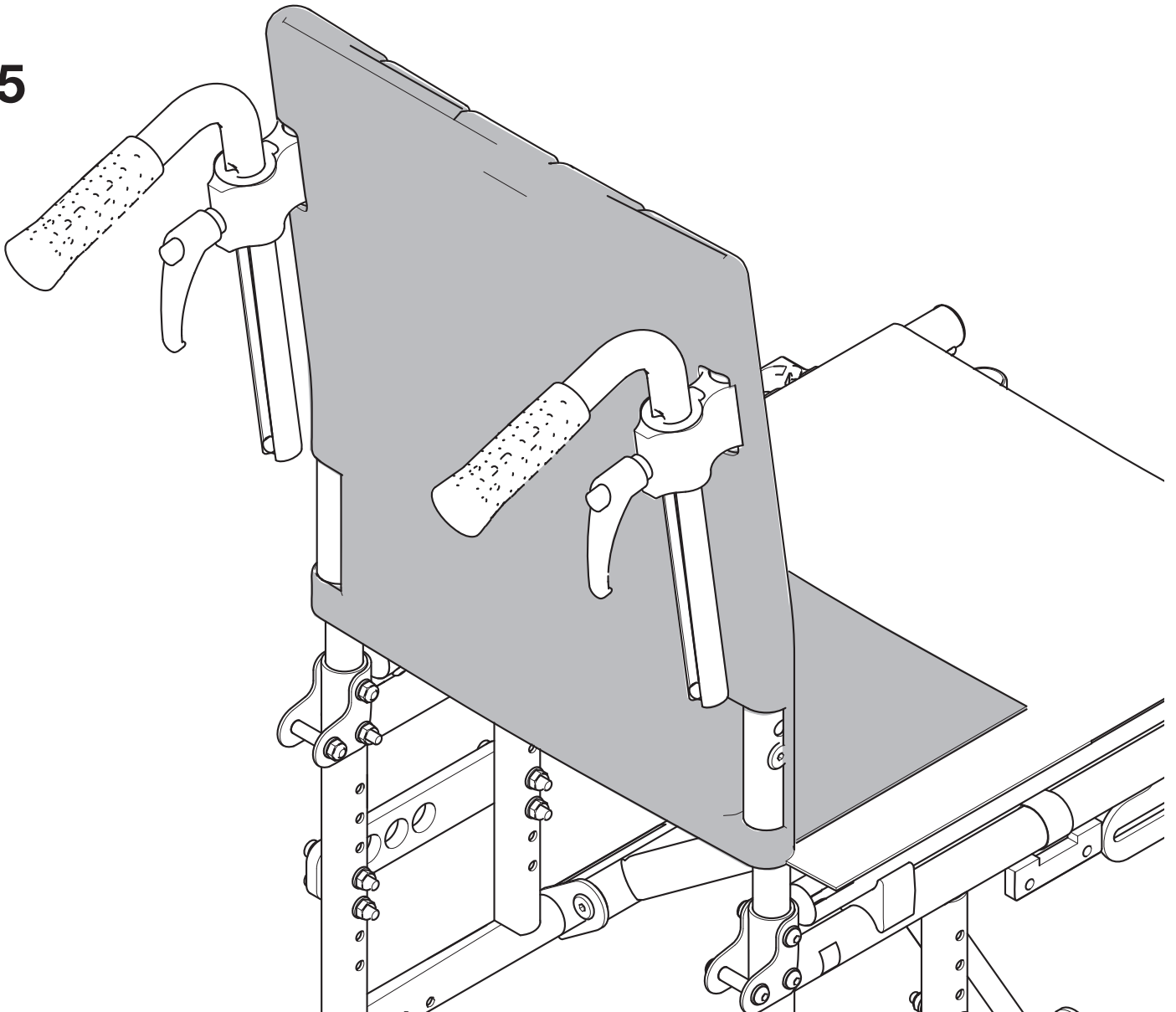
3



4



5



Sunrise Medical HCM B.V.
Vossenbeemd 104
5705 CL Helmond
The Netherlands

T: +31 (0)492 593 888
customerservice@sunrisemedical.nl
www.SunriseMedical.eu