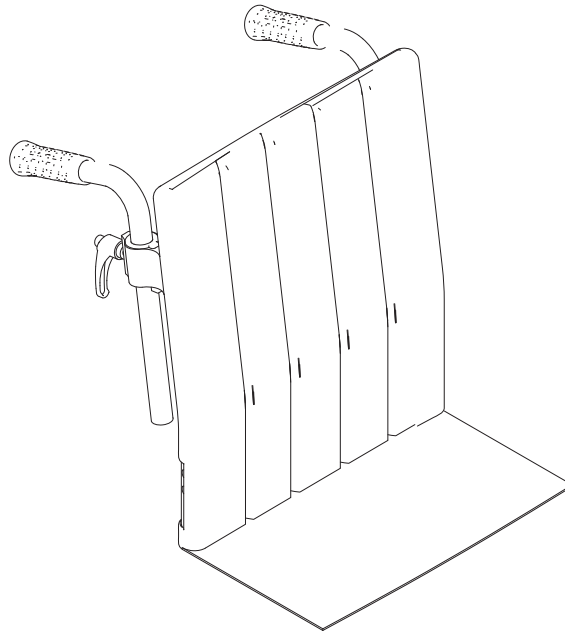


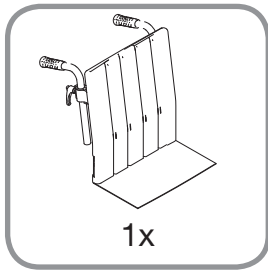
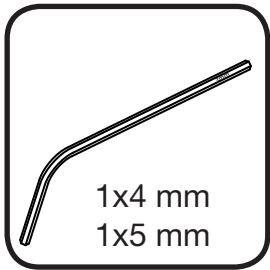
ASSEMBLY INSTRUCTION

Sling back with hight adjustable push handles

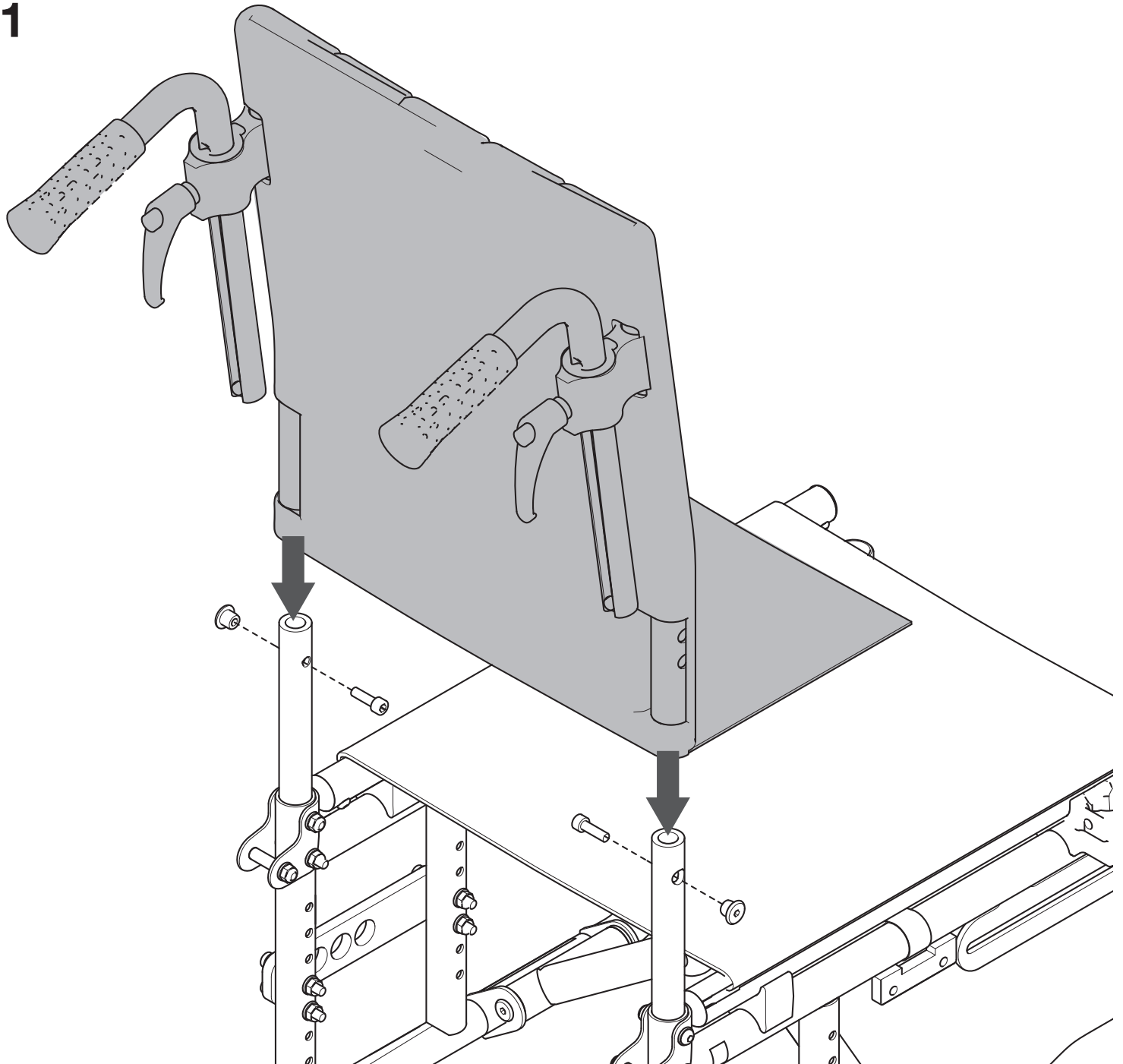


Description	Article number
Sling back with hight adjustable push handles SW 36	<input type="checkbox"/> 3355010
Sling back with hight adjustable push handles SW 39	<input type="checkbox"/> 3355011
Sling back with hight adjustable push handles SW 42	<input type="checkbox"/> 3355012
Sling back with hight adjustable push handles SW 45	<input type="checkbox"/> 3355013
Sling back with hight adjustable push handles SW 48	<input type="checkbox"/> 3355014
Sling back with hight adjustable push handles SW 51	<input type="checkbox"/> 3355015

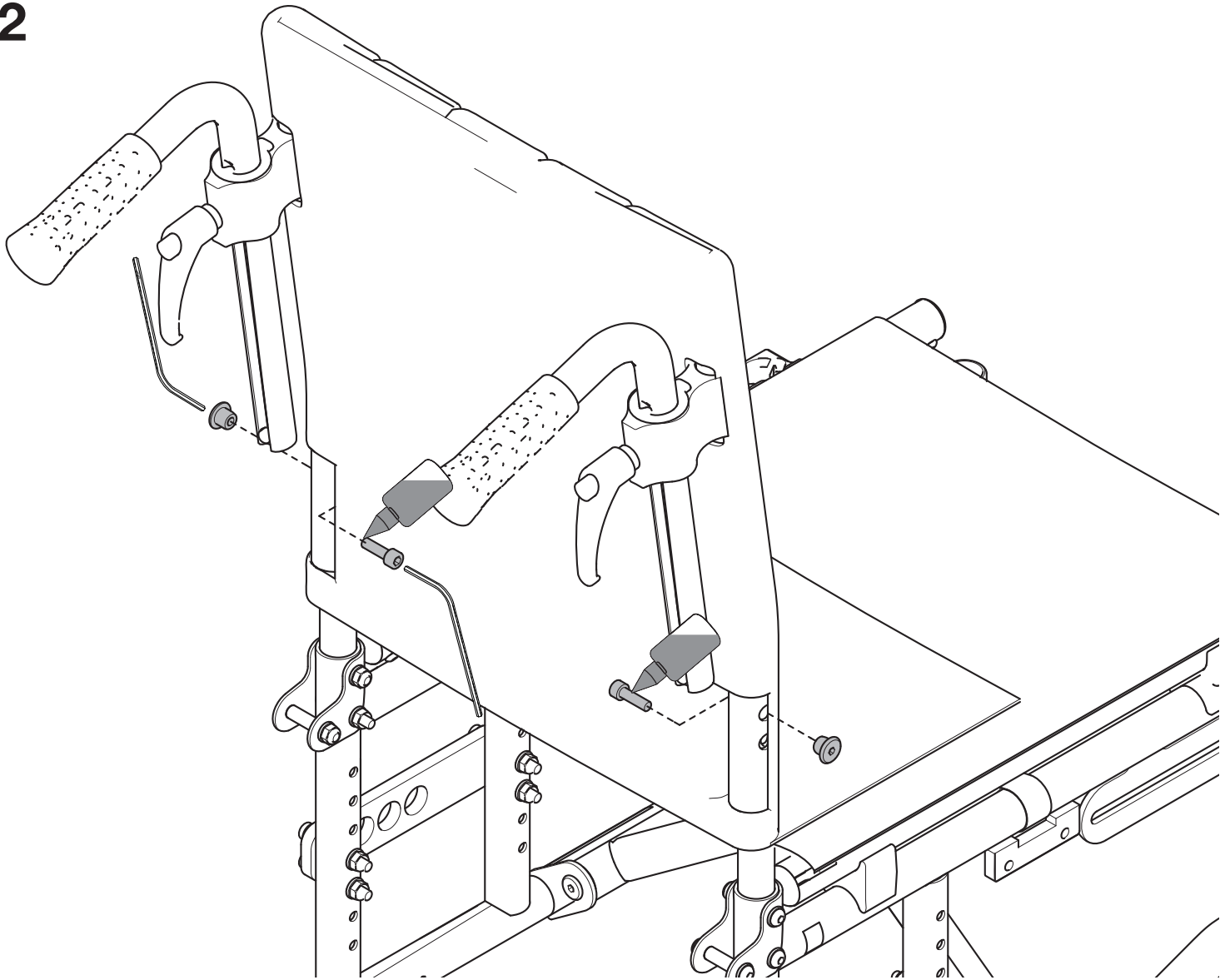




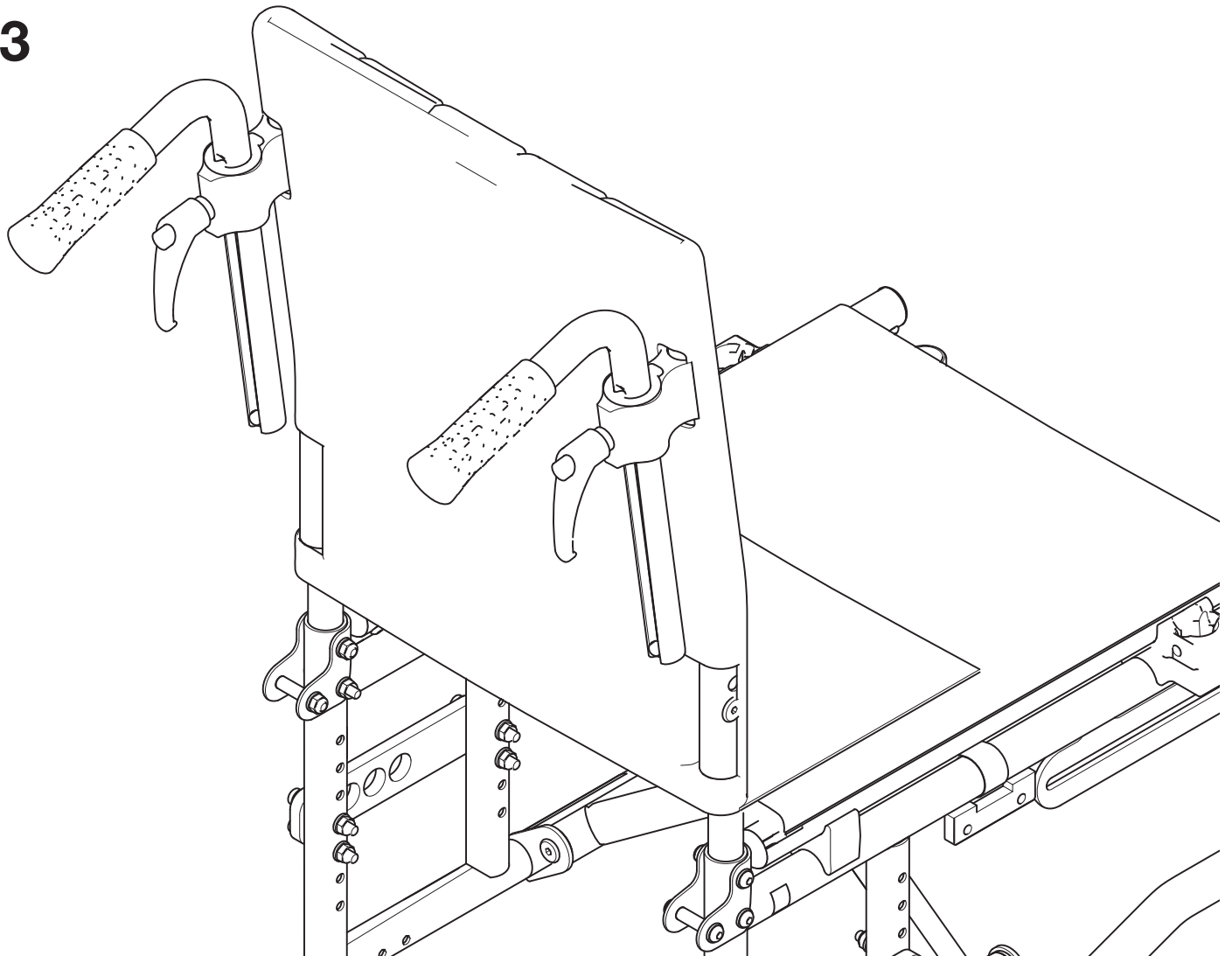
1



2



3



Sunrise Medical HCM B.V.
Vossenbeemd 104
5705 CL Helmond
The Netherlands

T: +31 (0)492 593 888
customerservice@sunrisemedical.nl
www.SunriseMedical.eu