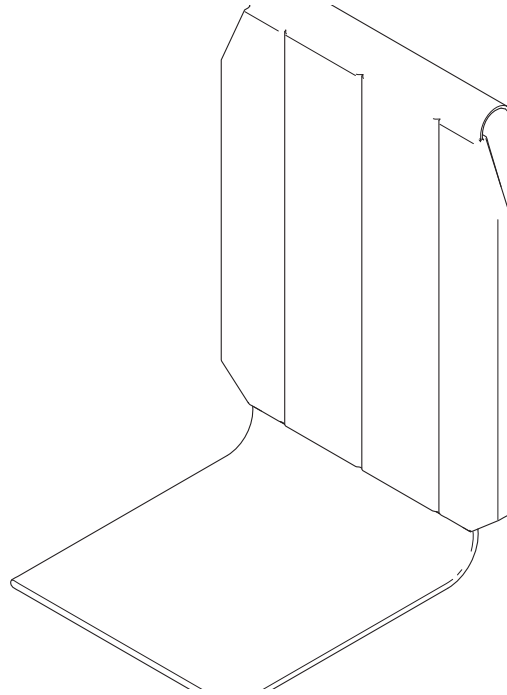


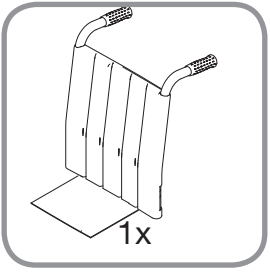
ASSEMBLY INSTRUCTION

Cover for Velcro back

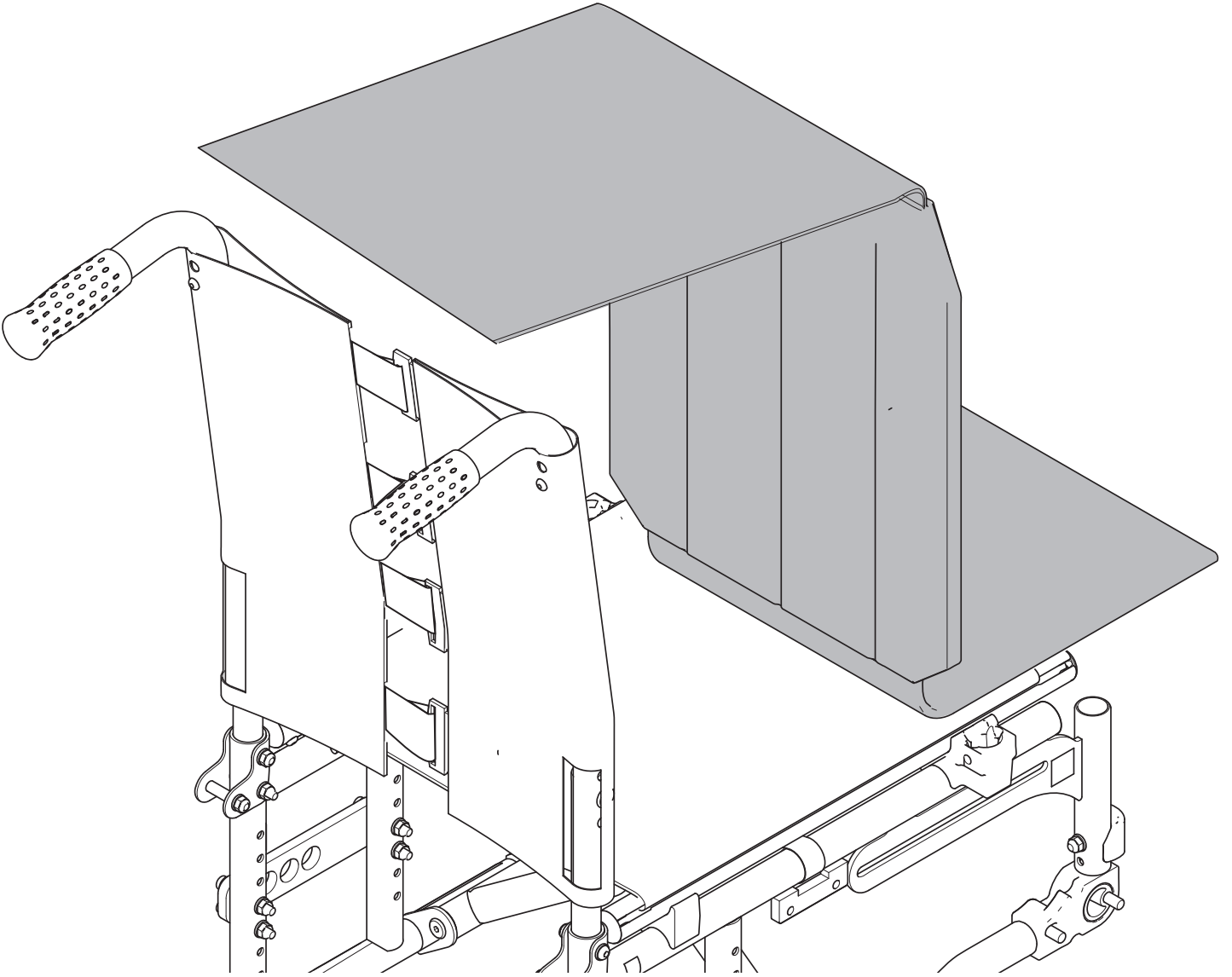


Description	Article number	
Cover for Velcro back SW 36	<input type="checkbox"/>	3345370
Cover for Velcro back SW 39	<input type="checkbox"/>	3345371
Cover for Velcro back SW 42	<input type="checkbox"/>	3345372
Cover for Velcro back SW 45	<input type="checkbox"/>	3345373
Cover for Velcro back SW 48	<input type="checkbox"/>	3345374
Cover for Velcro back SW 51	<input type="checkbox"/>	3345375

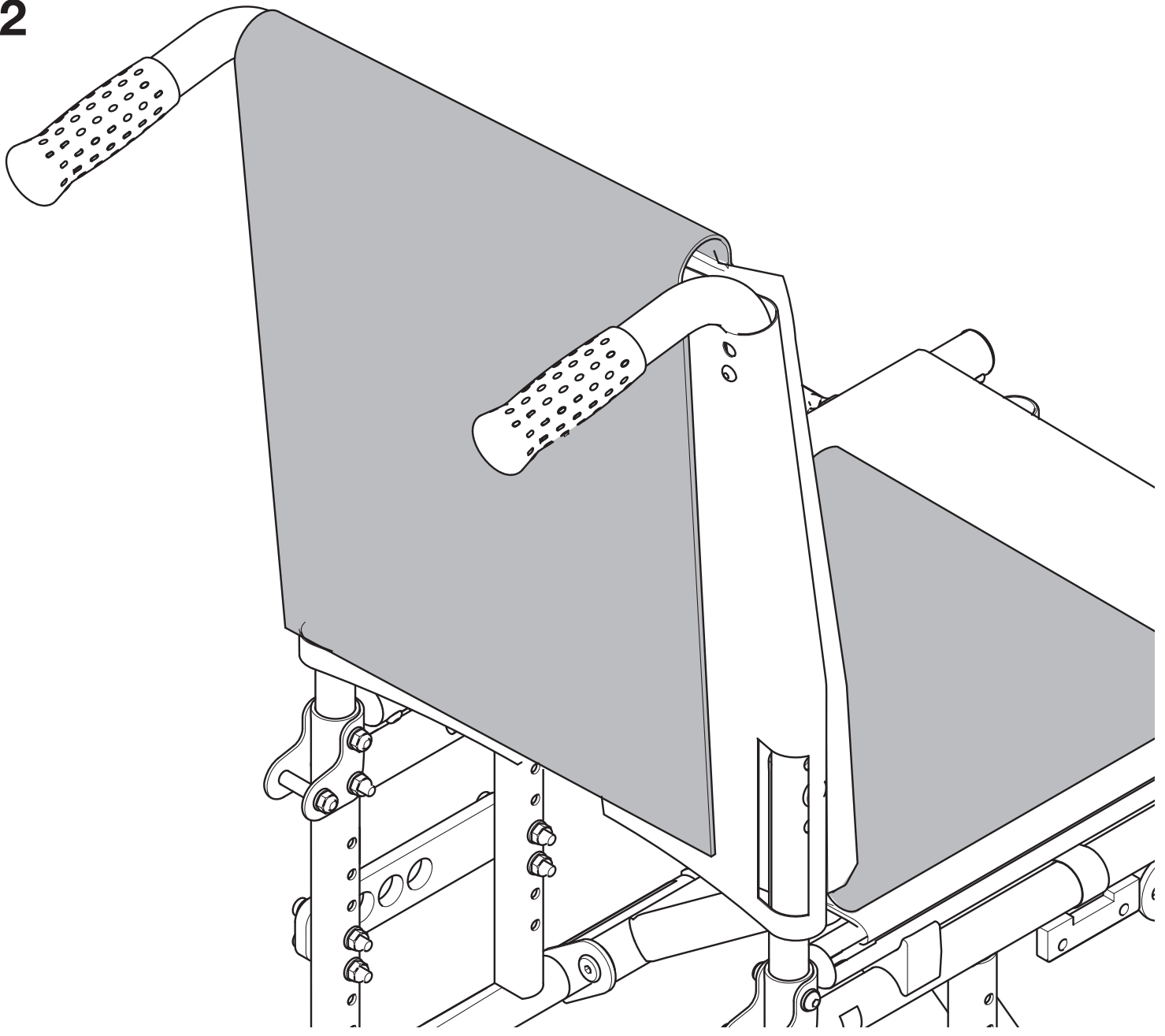




1



2





Sunrise Medical HCM B.V.
Vossenbeemd 104
5705 CL Helmond
The Netherlands

T: +31 (0)492 593 888
customerservice@sunrisemedical.nl
www.SunriseMedical.eu