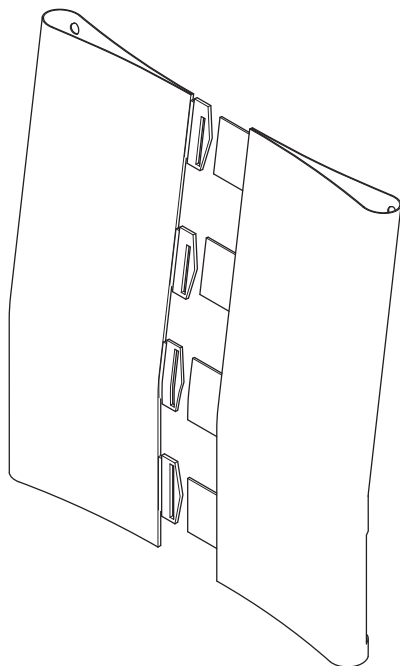


ASSEMBLY INSTRUCTION

Velcro back with fixed push handles



Description

Article number

Velcro back with 4 straps SW 36-39



3345360

Velcro back with 4 straps SW 42-45



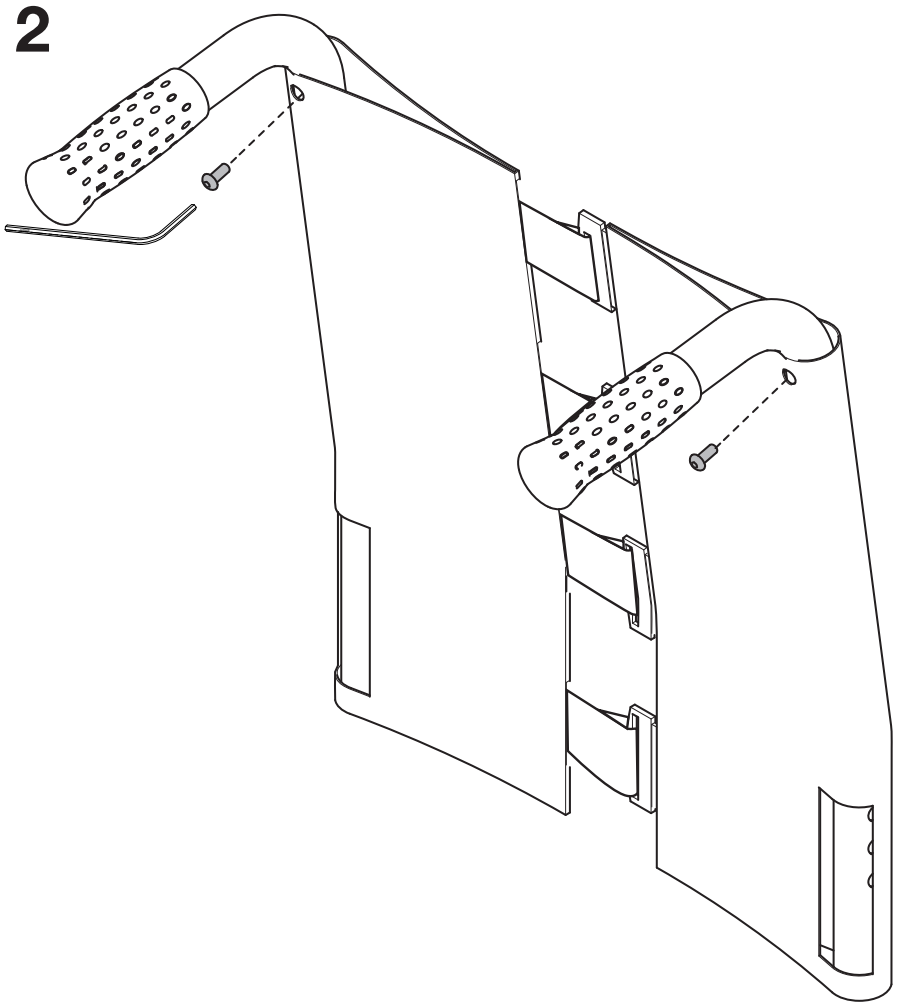
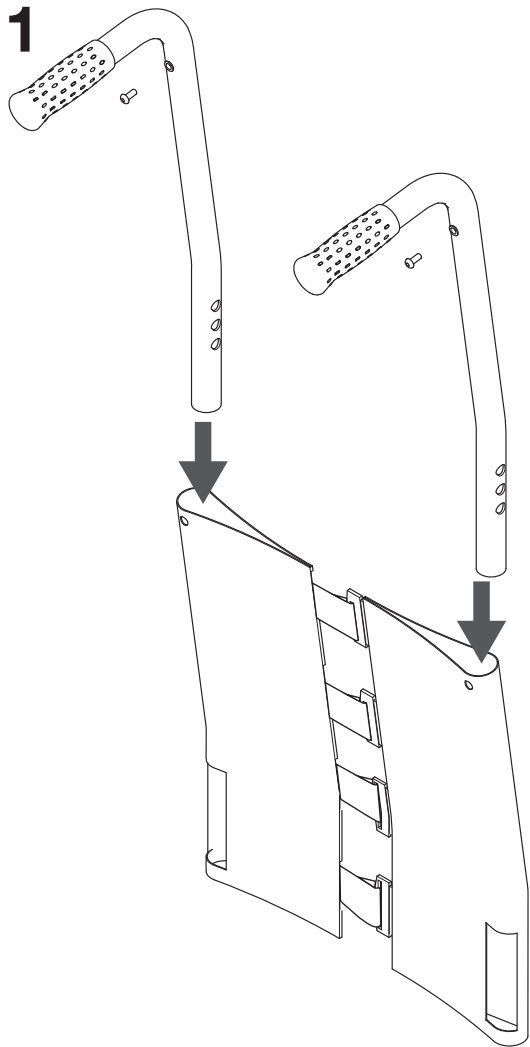
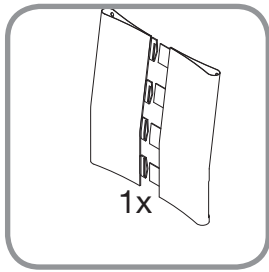
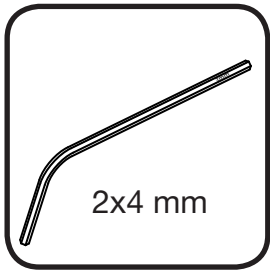
3345361

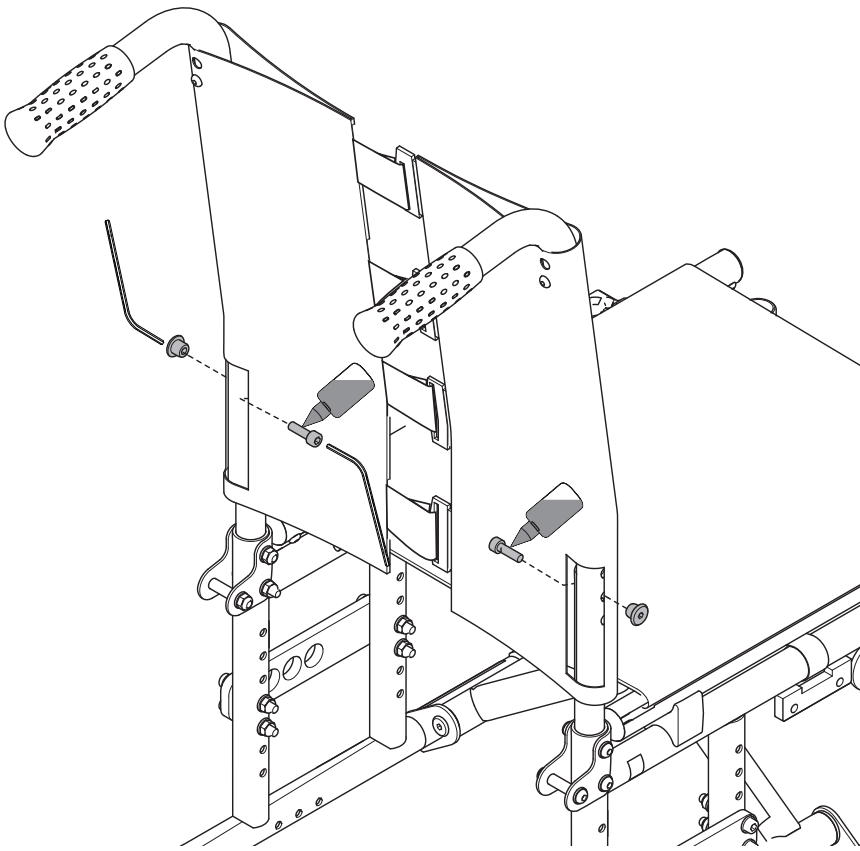
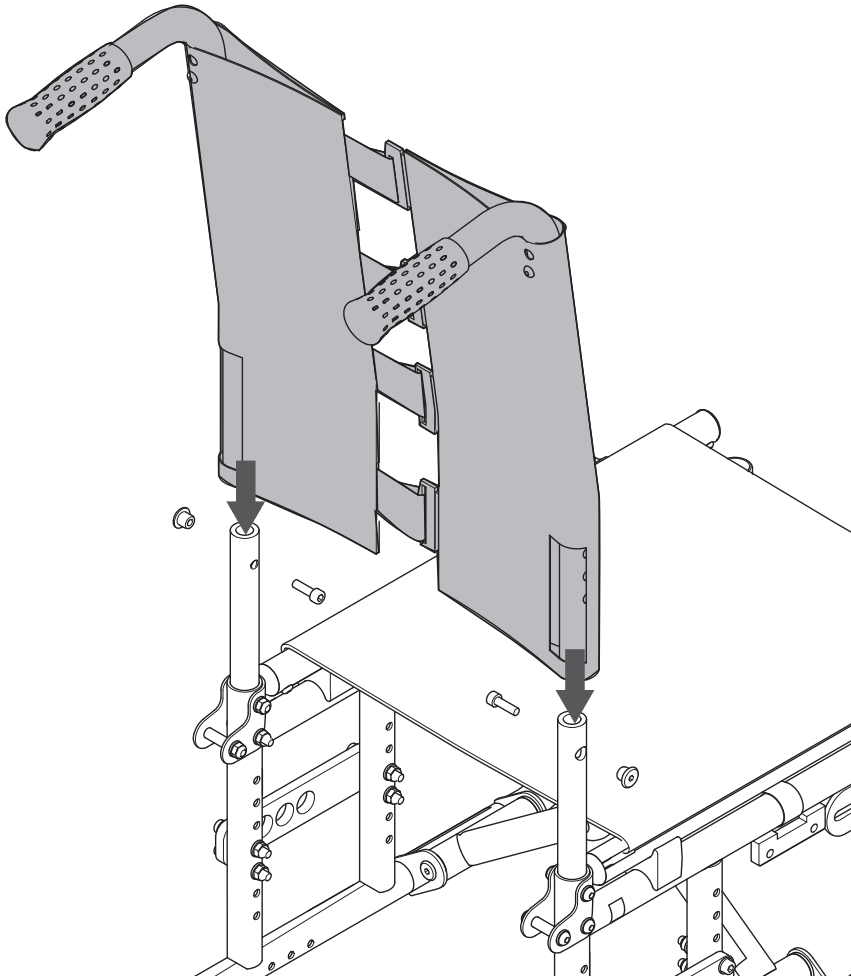
Velcro back with 4 straps SW 48-51



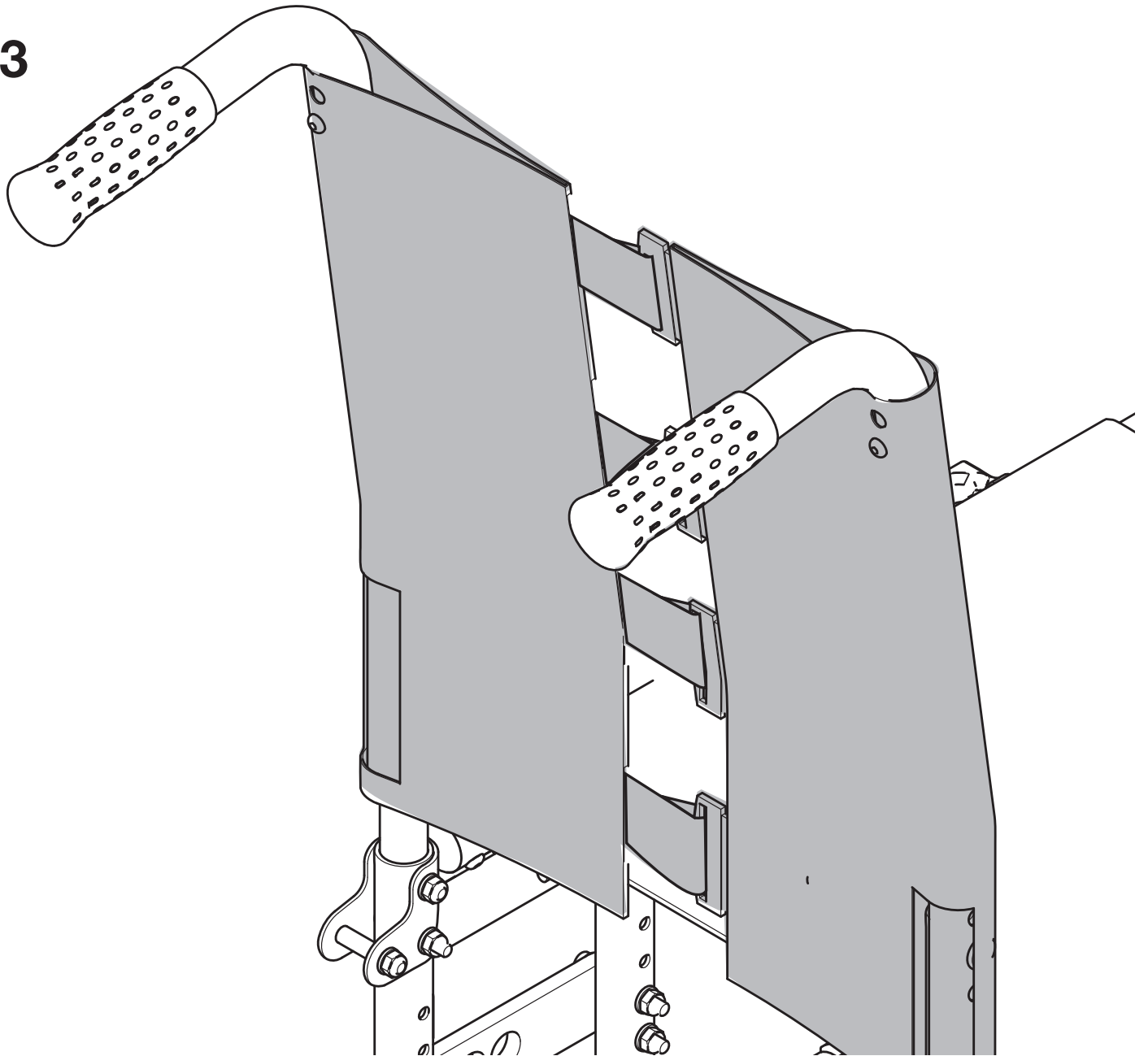
3345362







3



Sunrise Medical HCM B.V.
Vossenbeemd 104
5705 CL Helmond
The Netherlands

T: +31 (0)492 593 888
customerservice@sunrisemedical.nl
www.SunriseMedical.eu