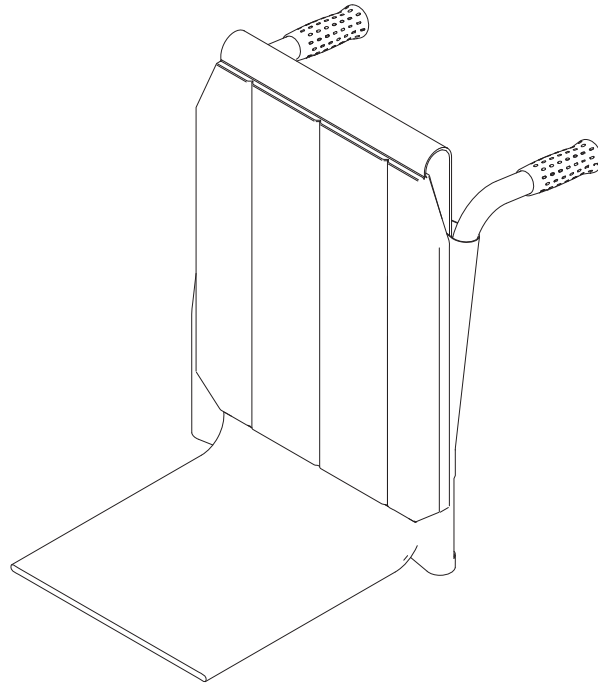


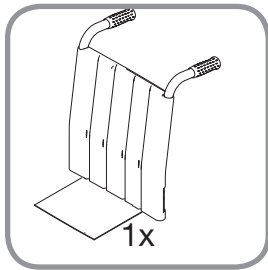
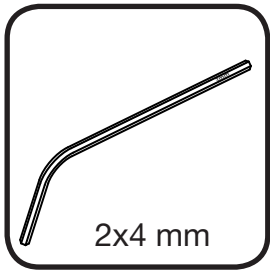
ASSEMBLY INSTRUCTION

Velcro back with fixed push handles

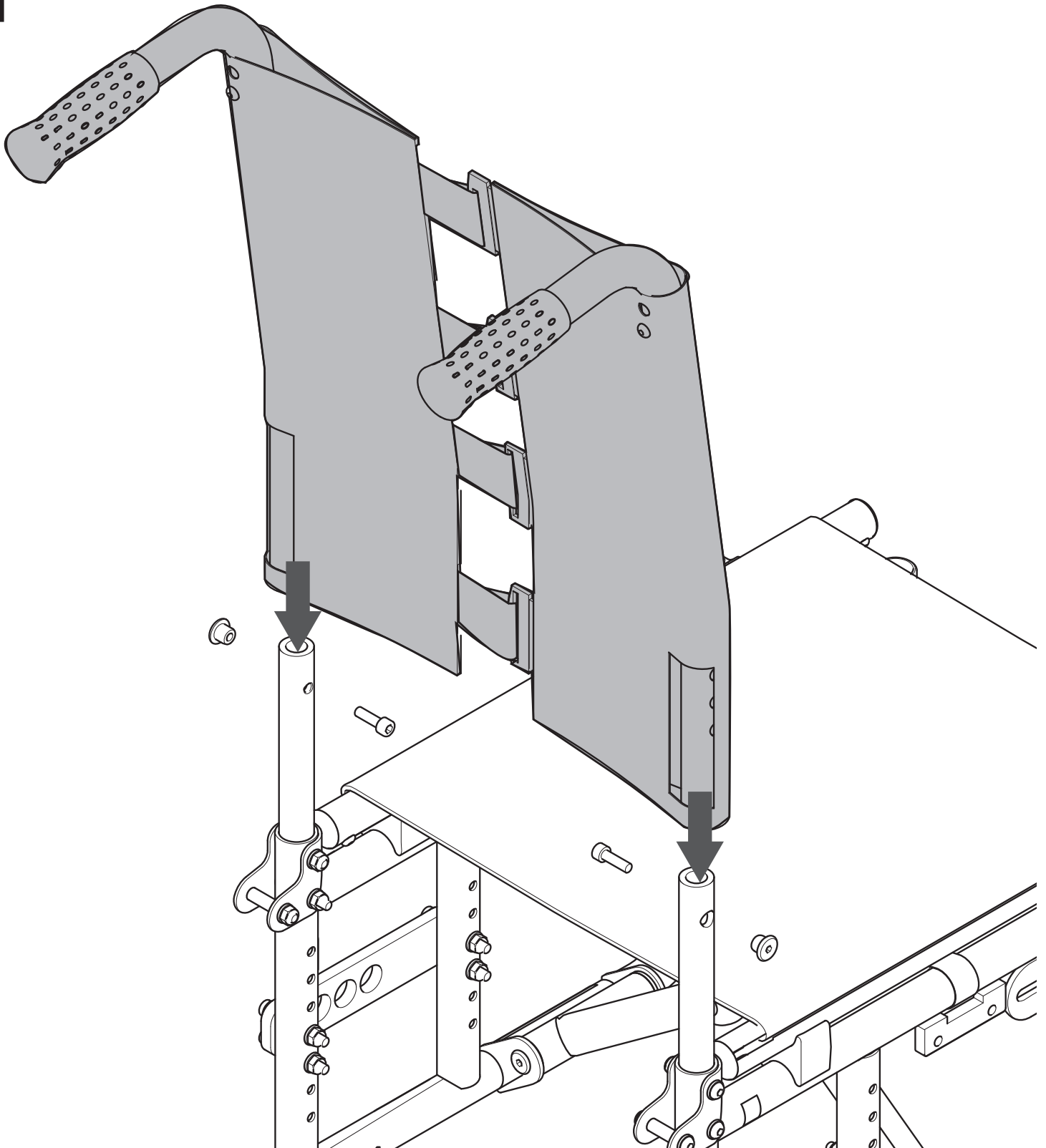


Description	Article number
Velcro back with fixed push handles SW 36	<input type="checkbox"/> 3345020
Velcro back with fixed push handles SW 39	<input type="checkbox"/> 3345021
Velcro back with fixed push handles SW 42	<input type="checkbox"/> 3345022
Velcro back with fixed push handles SW 45	<input type="checkbox"/> 3345023
Velcro back with fixed push handles SW 48	<input type="checkbox"/> 3345024
Velcro back with fixed push handles SW 51	<input type="checkbox"/> 3345025

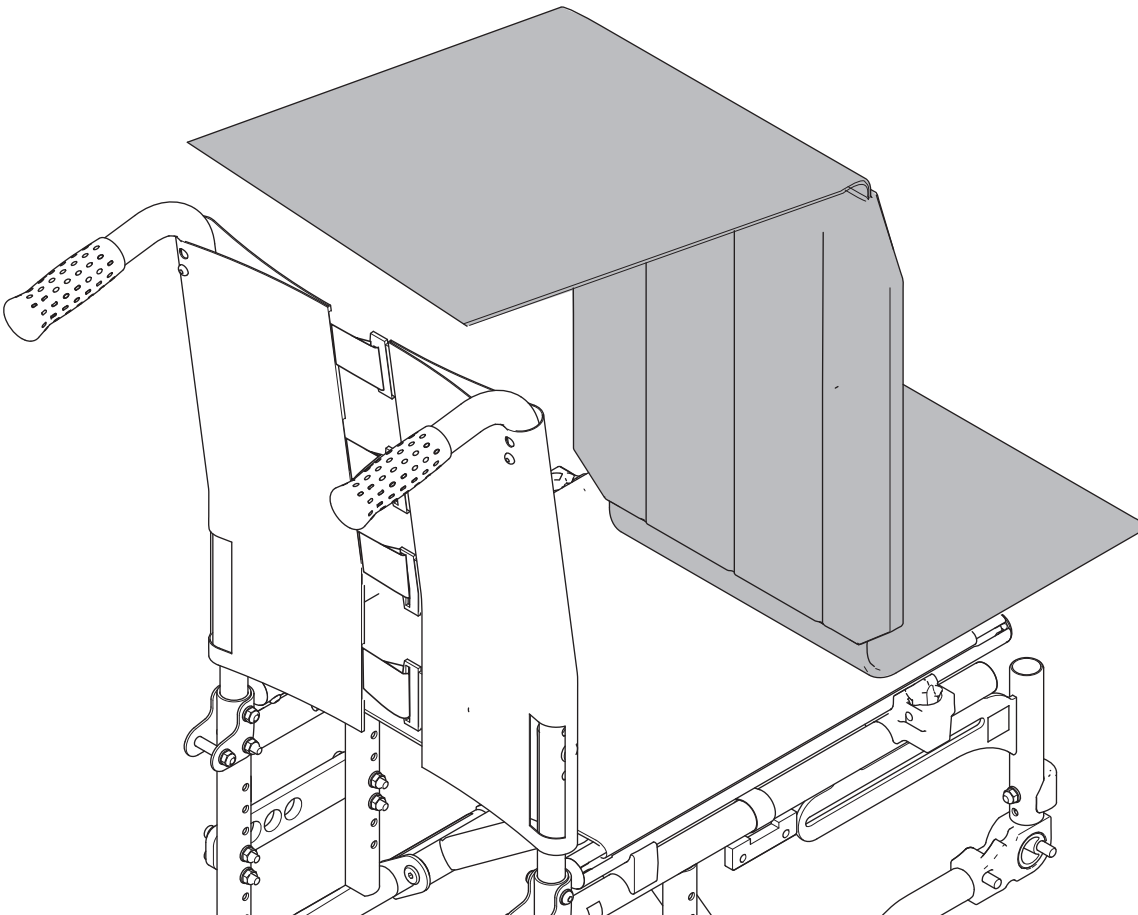
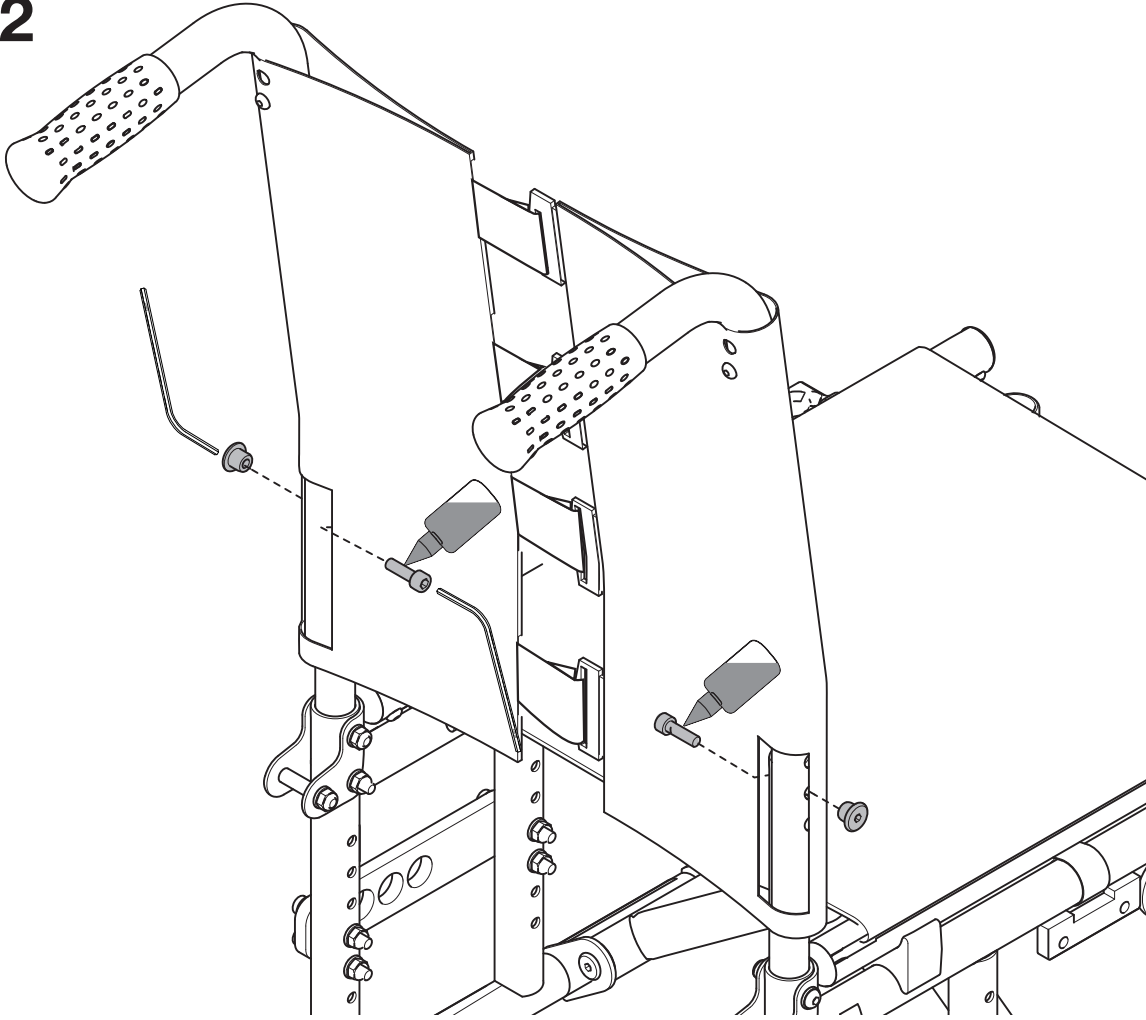


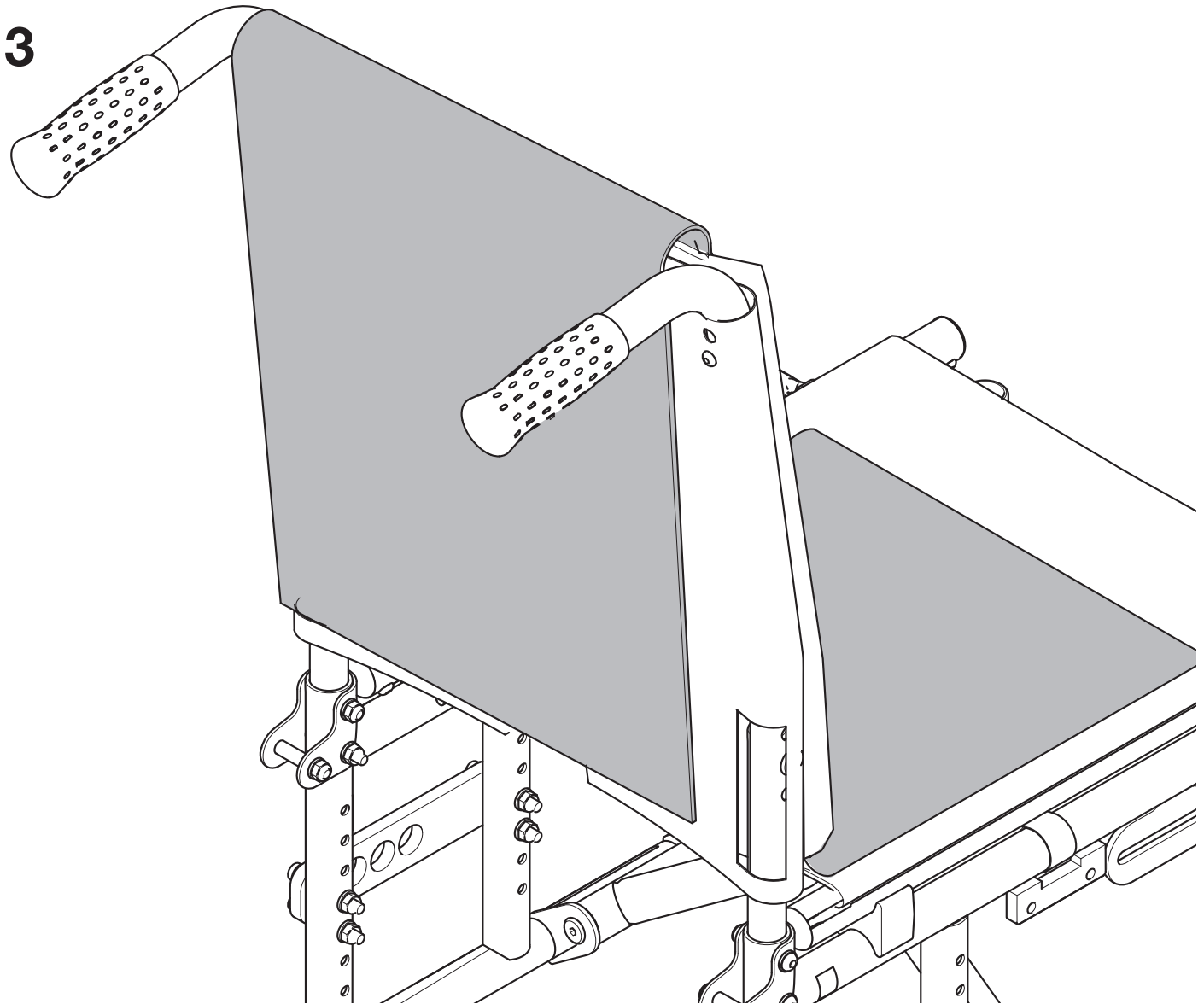


1



2





Sunrise Medical HCM B.V.
Vossenbeemd 104
5705 CL Helmond
The Netherlands

T: +31 (0)492 593 888
customerservice@sunrisemedical.nl
www.SunriseMedical.eu