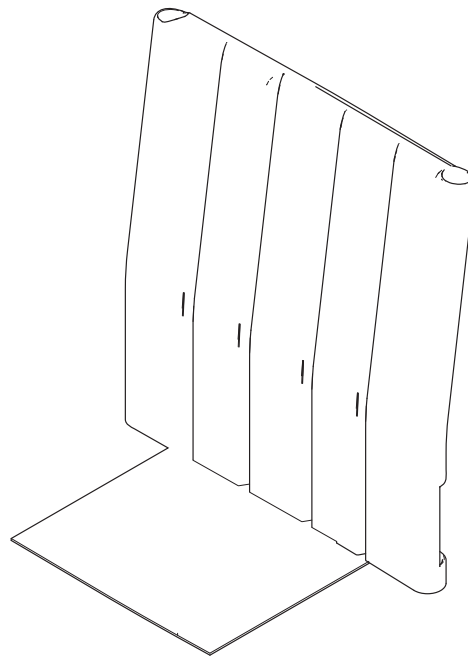


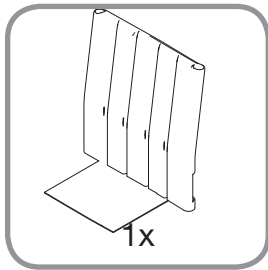
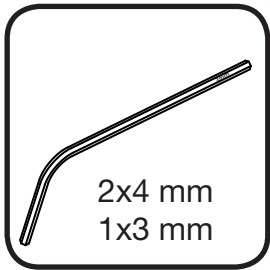
ASSEMBLY INSTRUCTION

Sling back textiles for fixed push handles

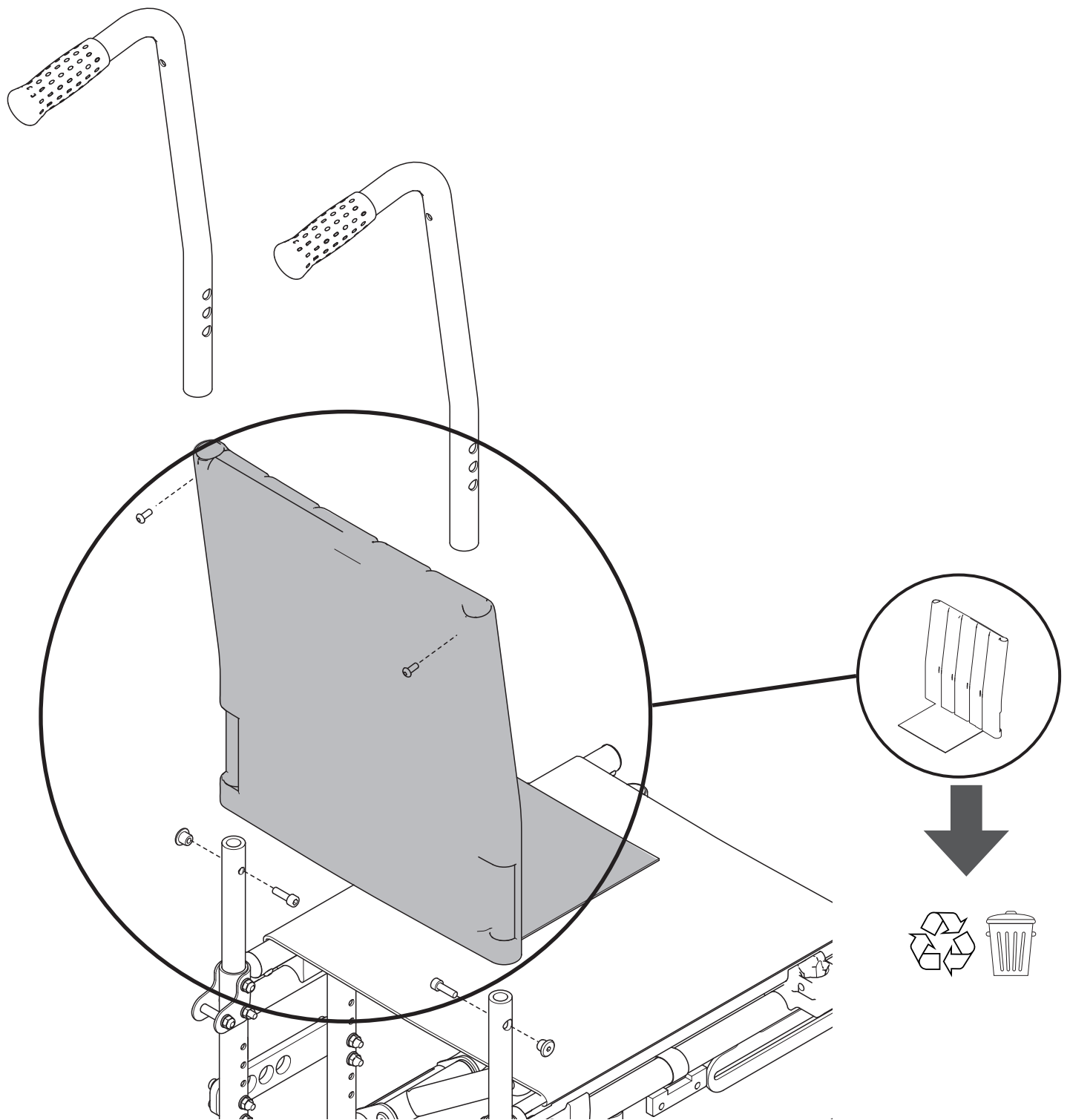


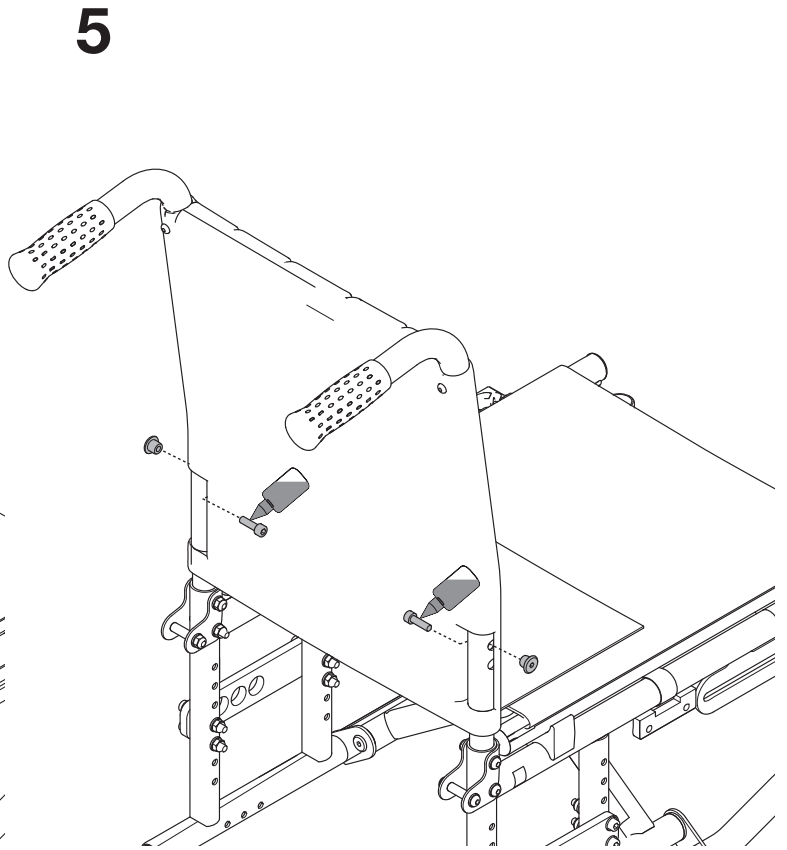
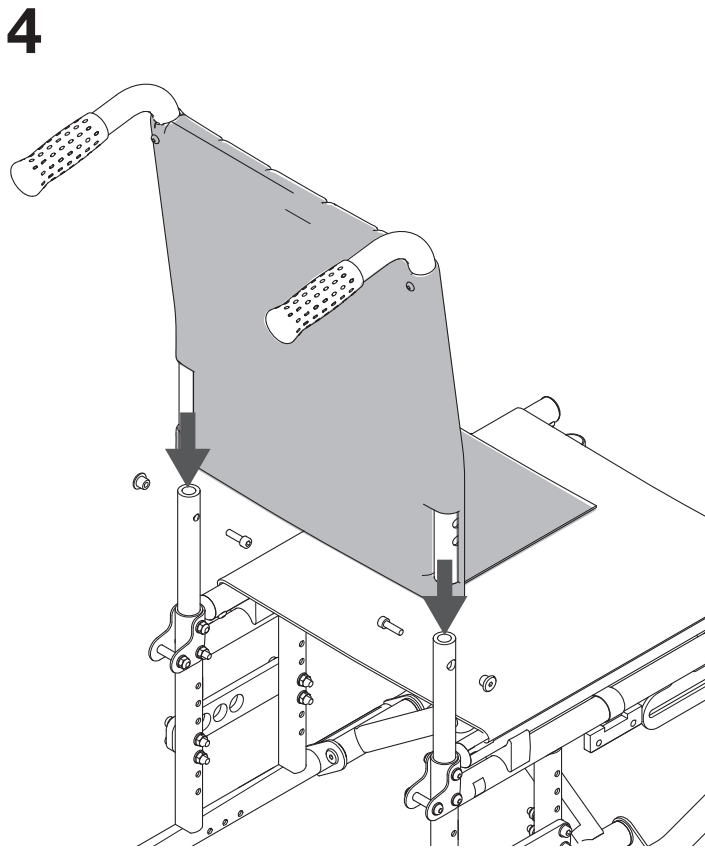
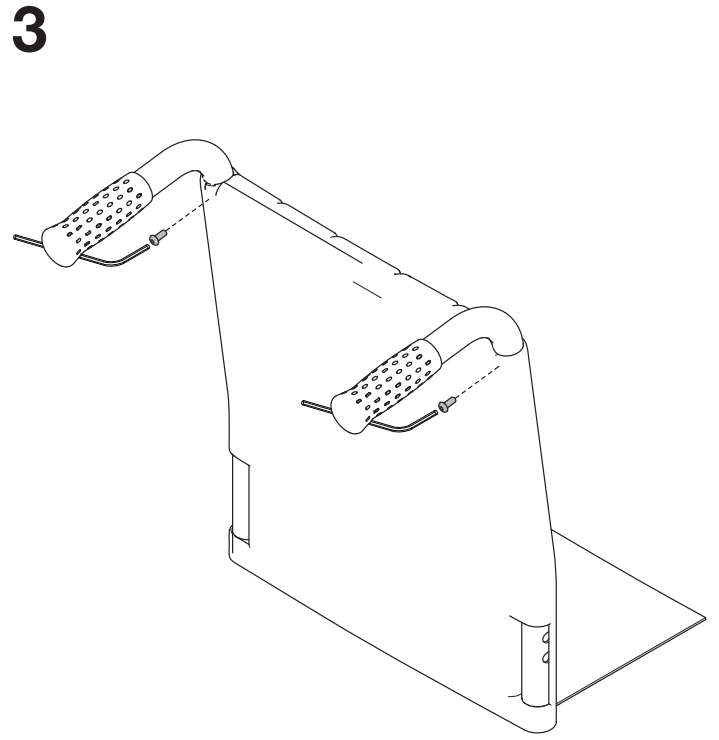
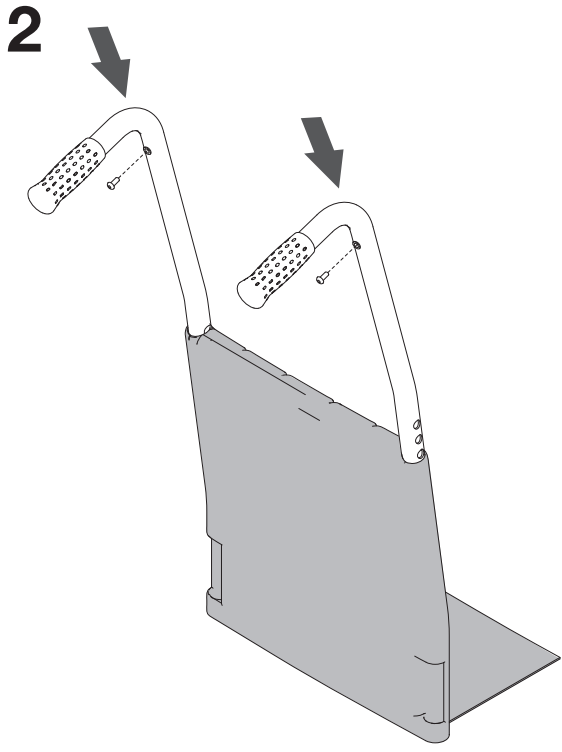
| Description | Article number |
|----------------------------------------------------------------|----------------------------------|
| Sling back textiles for for back with fixed push handles SW 36 | <input type="checkbox"/> 3345160 |
| Sling back textiles for for back with fixed push handles SW 39 | <input type="checkbox"/> 3345161 |
| Sling back textiles for for back with fixed push handles SW 42 | <input type="checkbox"/> 3345162 |
| Sling back textiles for for back with fixed push handles SW 45 | <input type="checkbox"/> 3345163 |
| Sling back textiles for for back with fixed push handles SW 48 | <input type="checkbox"/> 3345164 |
| Sling back textiles for for back with fixed push handles SW 51 | <input type="checkbox"/> 3345165 |



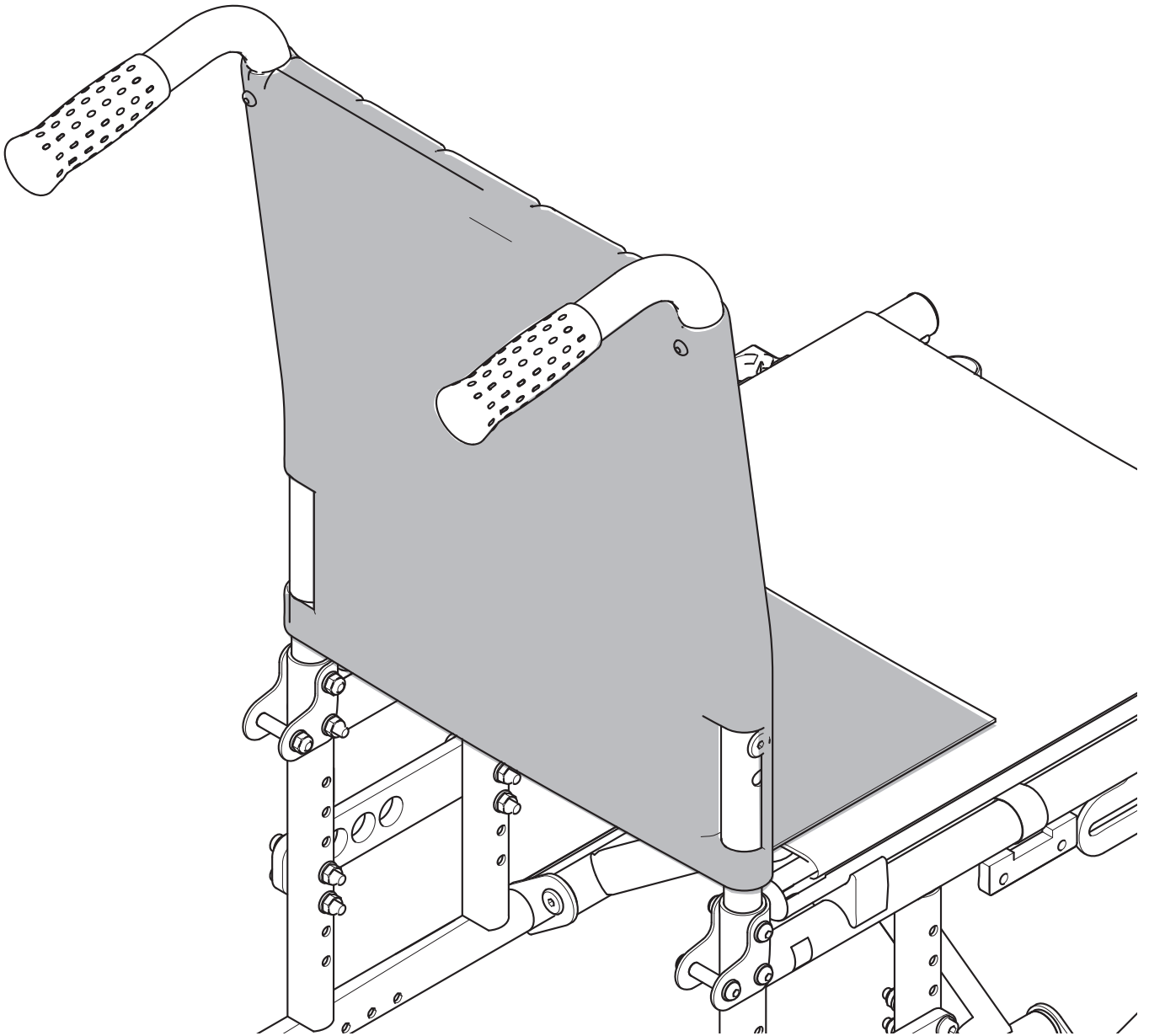


1





6



Sunrise Medical HCM B.V.
Vossenbeemd 104
5705 CL Helmond
The Netherlands

T: +31 (0)492 593 888
customerservice@sunrisemedical.nl
www.SunriseMedical.eu