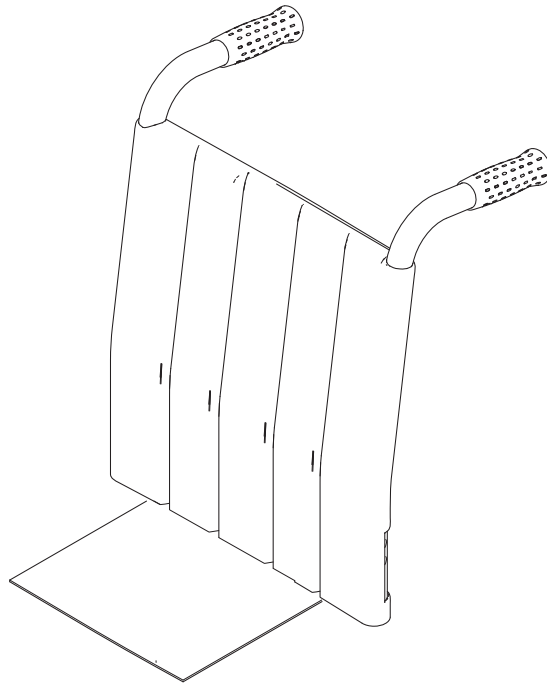


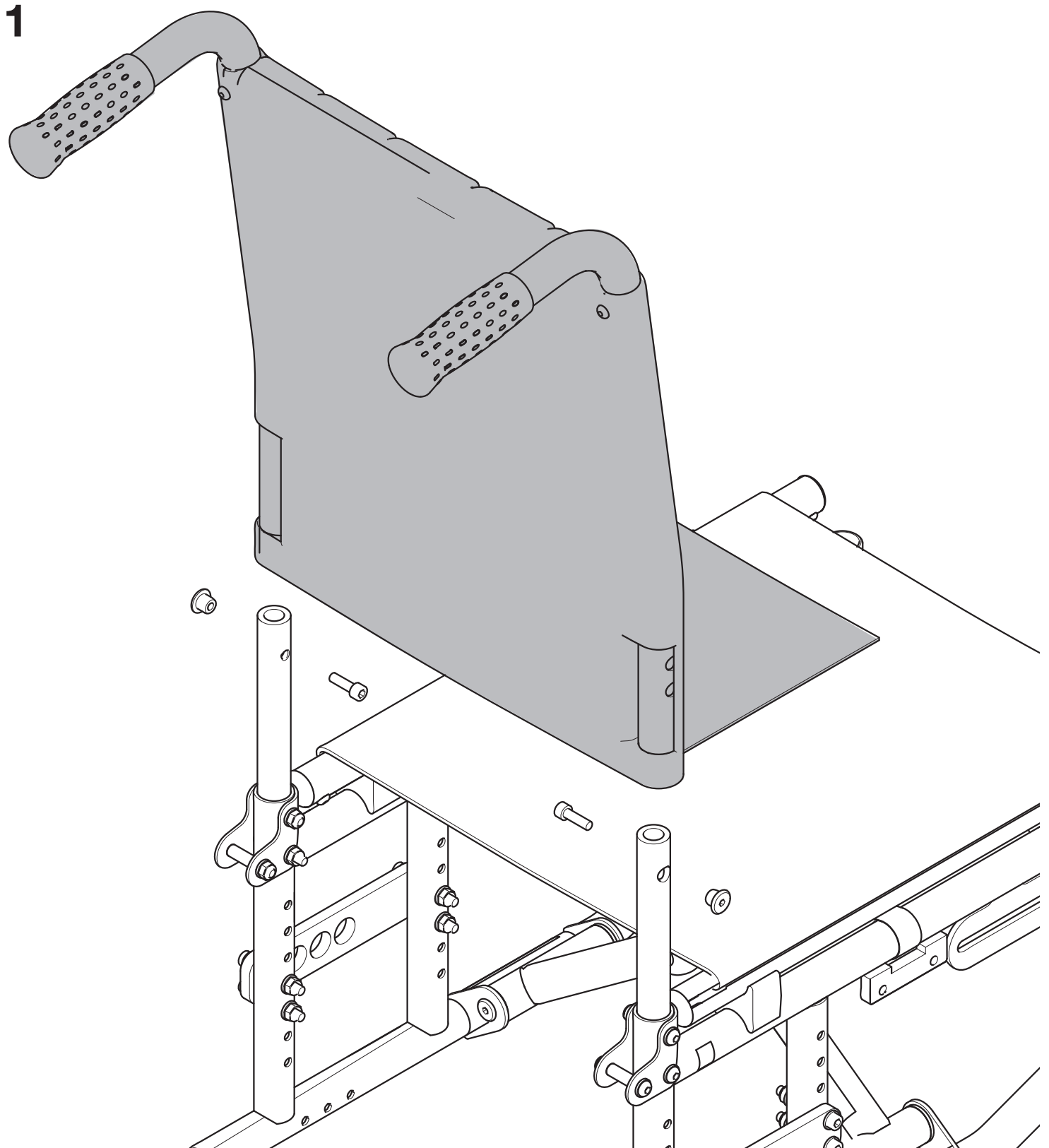
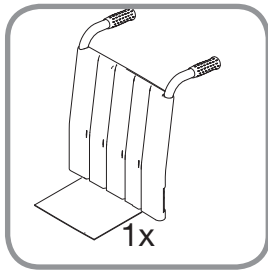
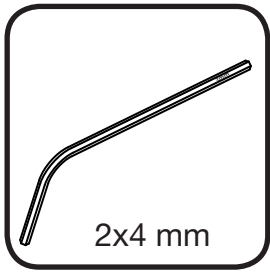
ASSEMBLY INSTRUCTION

Sling back with fixed push handles

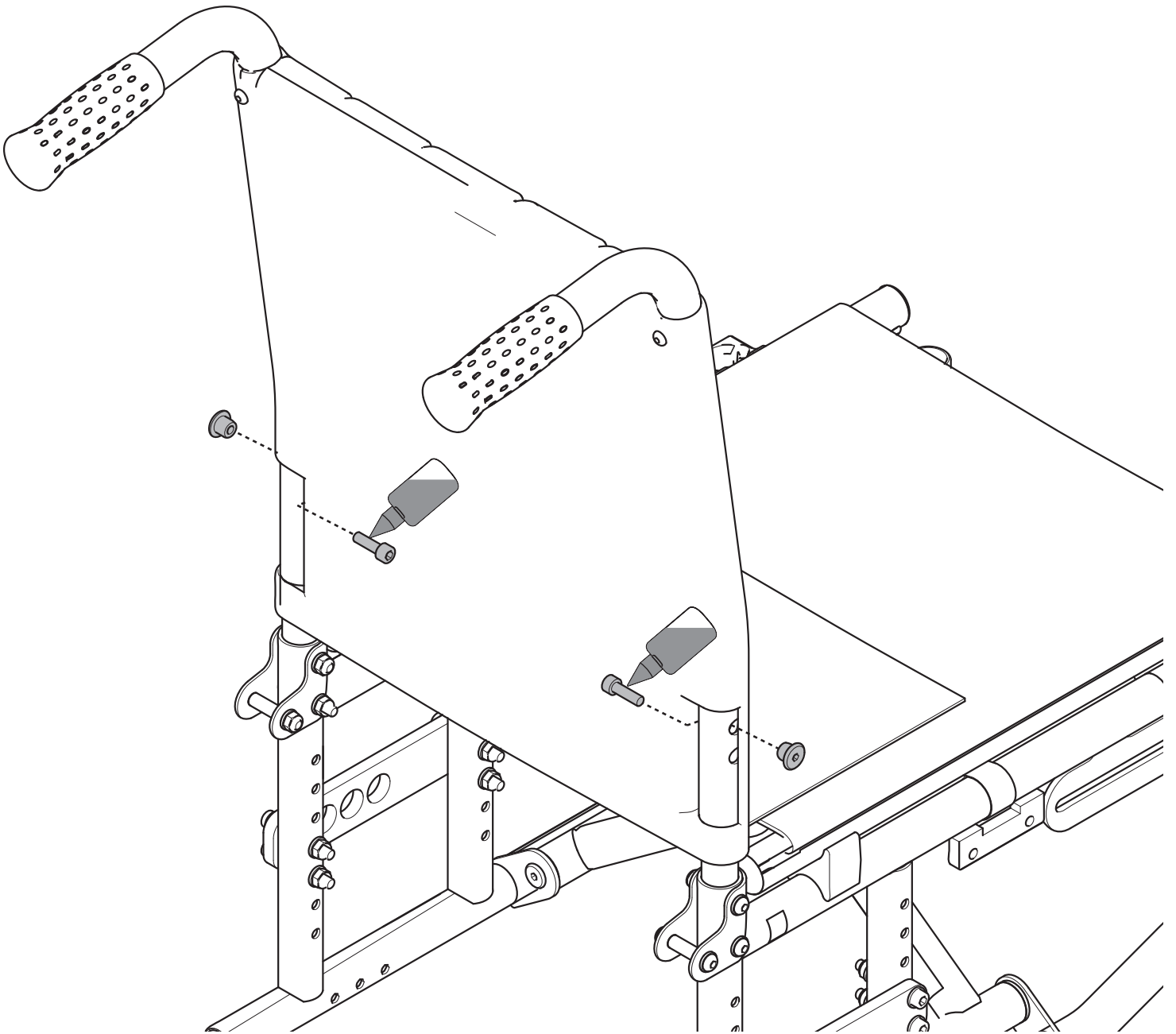


Description	Article number
Sling back with fixed push handles SW 36	<input type="checkbox"/> 3345000
Sling back with fixed push handles SW 39	<input type="checkbox"/> 3345001
Sling back with fixed push handles SW 42	<input type="checkbox"/> 3345002
Sling back with fixed push handles SW 45	<input type="checkbox"/> 3345003
Sling back with fixed push handles SW 48	<input type="checkbox"/> 3345004
Sling back with fixed push handles SW 51	<input type="checkbox"/> 3345005

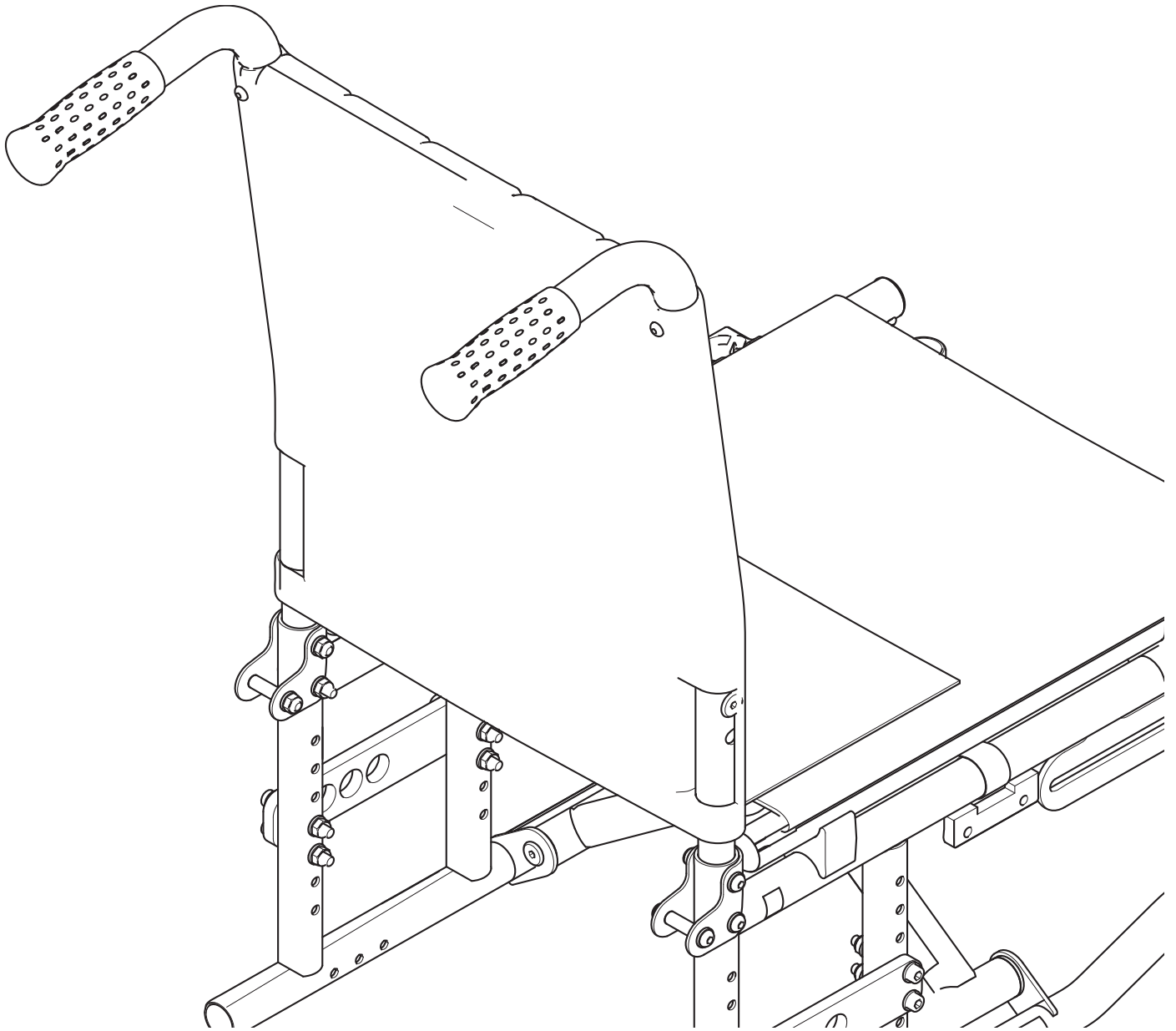




2



3



Sunrise Medical HCM B.V.
Vossenbeemd 104
5705 CL Helmond
The Netherlands

T: +31 (0)492 593 888
customerservice@sunrisemedical.nl
www.SunriseMedical.eu