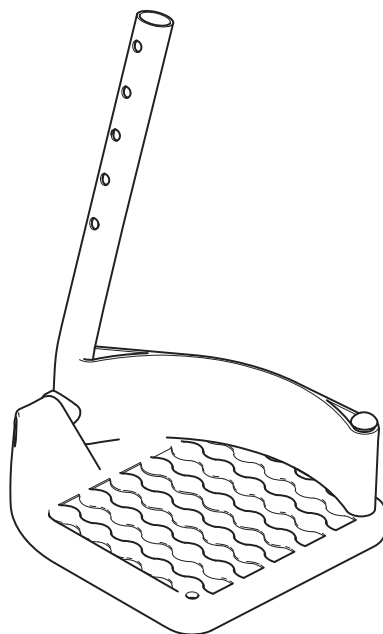


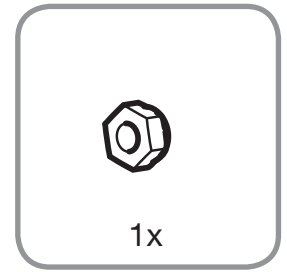
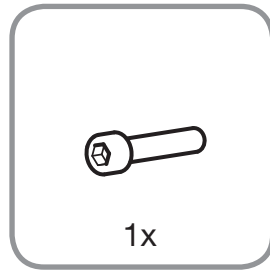
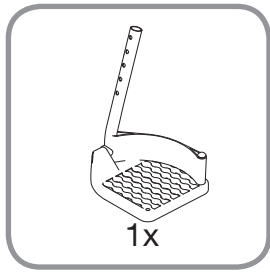
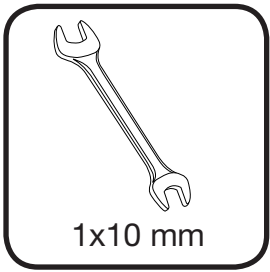
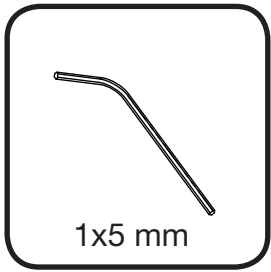
ASSEMBLY INSTRUCTION

Footplate

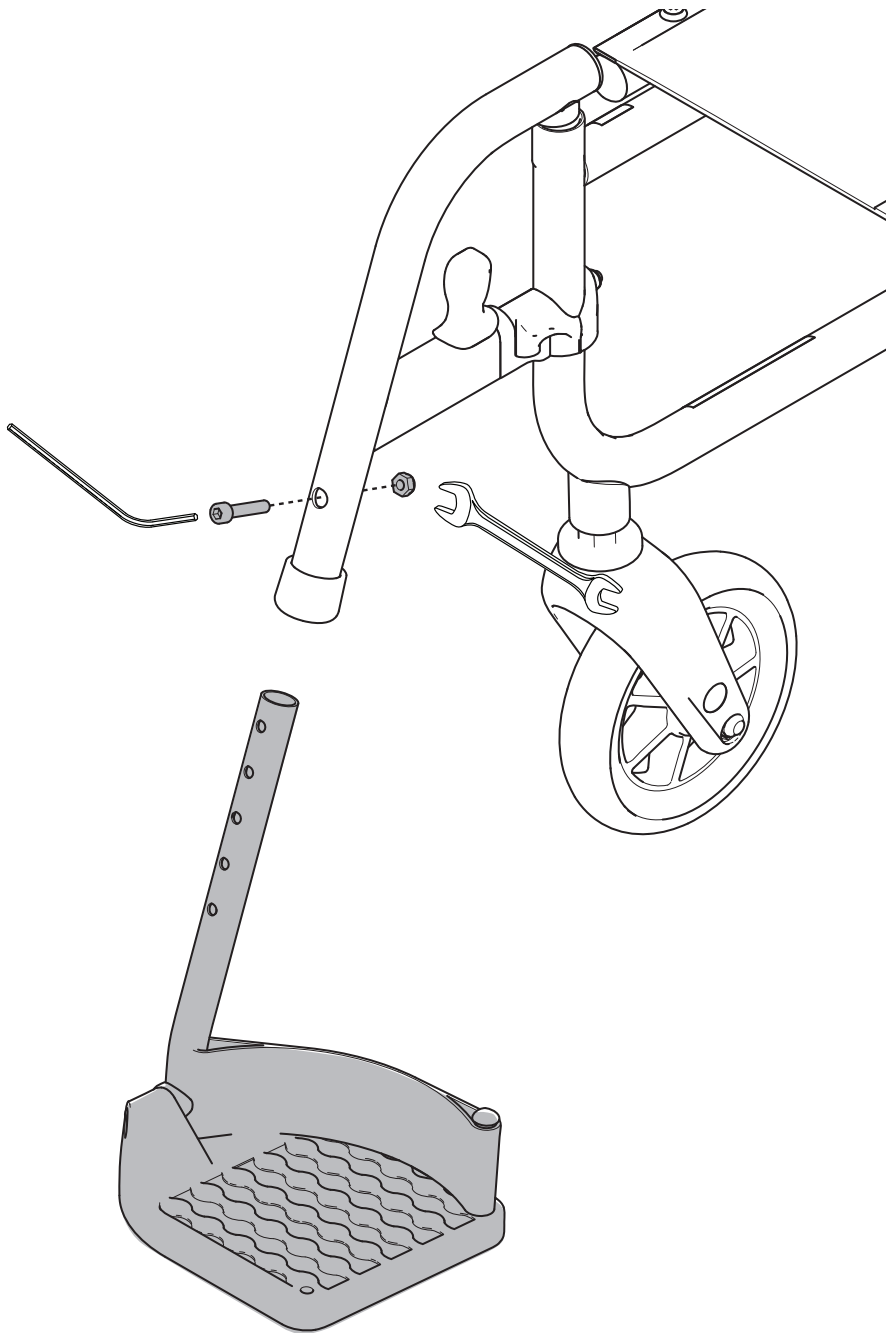


Description	Article number
Footplate fixed angle with heel strap SW 39 RHS	<input type="checkbox"/> 3353416
Footplate fixed angle with heel strap SW 39 LHS	<input type="checkbox"/> 3353417
Footplate fixed angle with heel strap SW 42 RHS	<input type="checkbox"/> 3353418
Footplate fixed angle with heel strap SW 42 LHS	<input type="checkbox"/> 3353419
Footplate fixed angle with heel strap SW 45 RHS	<input type="checkbox"/> 3353420
Footplate fixed angle with heel strap SW 45 LHS	<input type="checkbox"/> 3353421
Footplate fixed angle with heel strap SW 48 RHS	<input type="checkbox"/> 3353422
Footplate fixed angle with heel strap SW 48 LHS	<input type="checkbox"/> 3353423
Footplate fixed angle with heel strap SW 51 RHS	<input type="checkbox"/> 3353424
Footplate fixed angle with heel strap SW 51 LHS	<input type="checkbox"/> 3353425

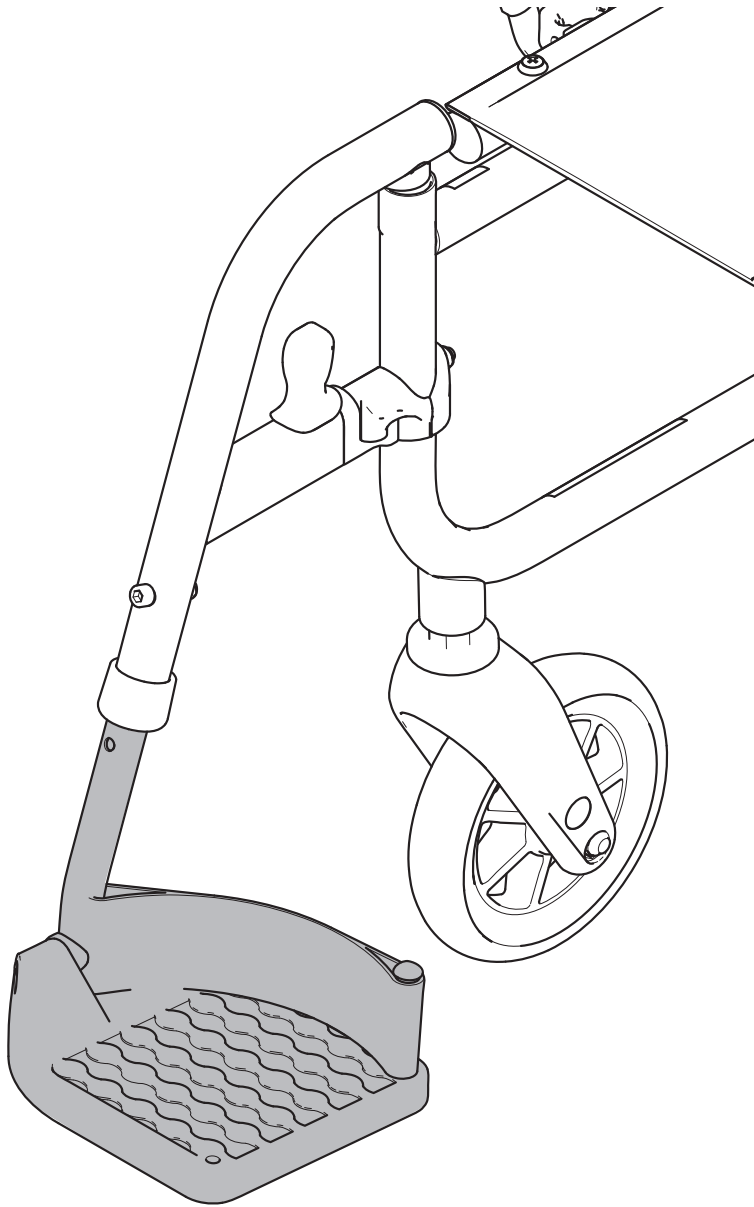




1



2





Sunrise Medical HCM B.V.
Vossenbeemd 104
5705 CL Helmond
The Netherlands

T: +31 (0)492 593 888
customerservice@sunrisemedical.nl
www.SunriseMedical.eu