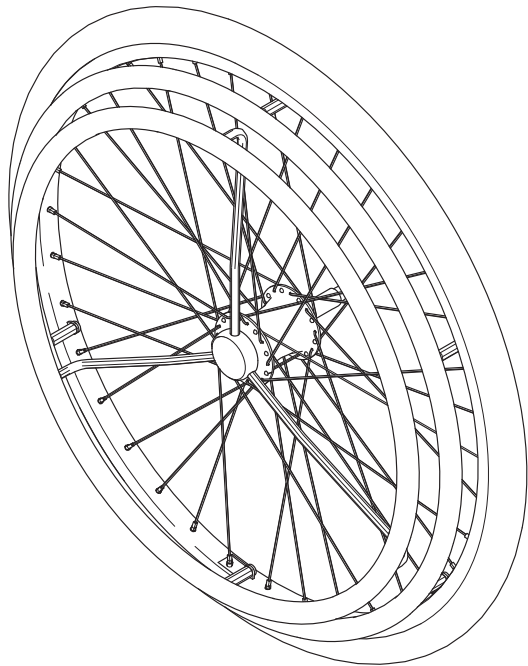


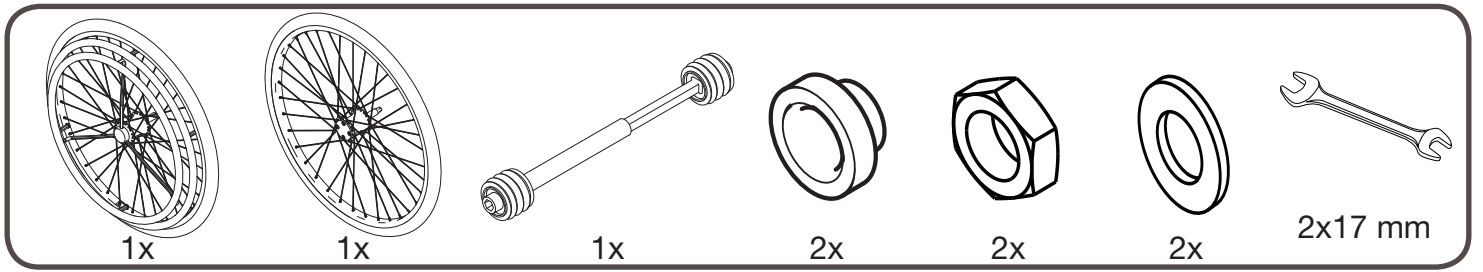
ASSEMBLY INSTRUCTION

One hand drive Exigo 20

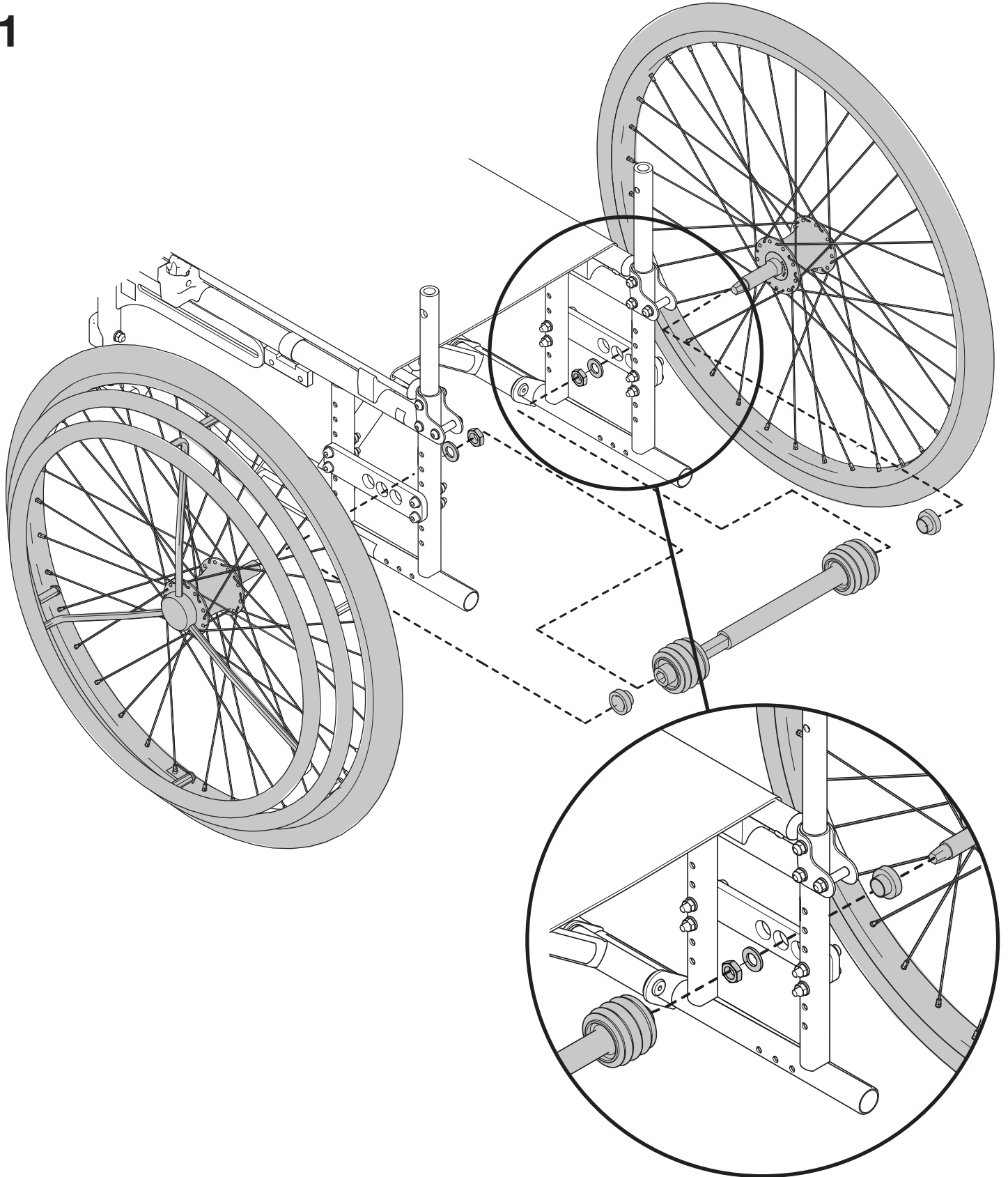


Description	Article number
One hand drive wheel, set, SW 36	<input type="checkbox"/> 3007906
One hand drive wheel, set, SW 39, 42	<input type="checkbox"/> 3007907
One hand drive wheel, set, SW 45, 48, 51	<input type="checkbox"/> 3007908
Wheels	<input type="checkbox"/> 3007925

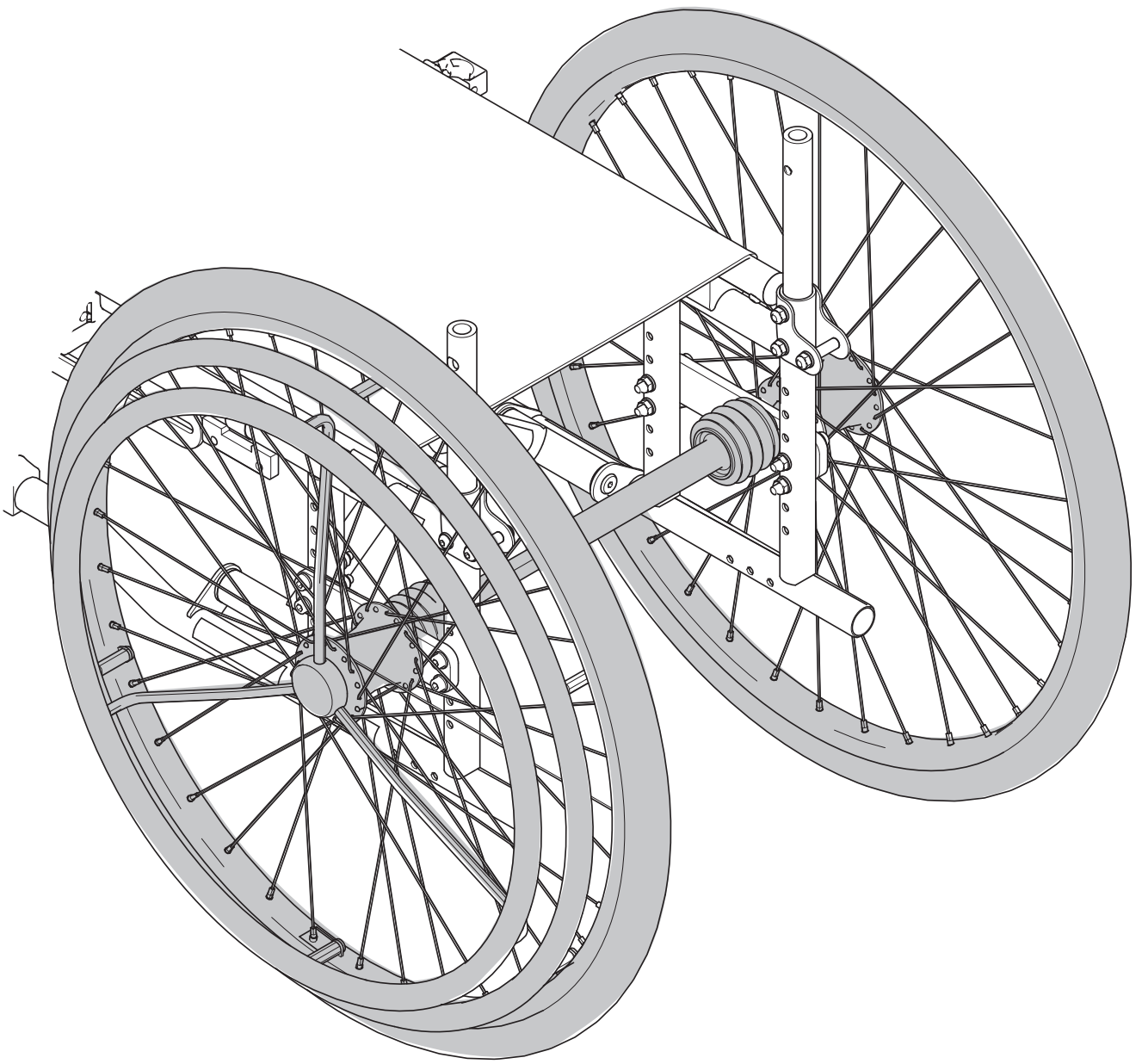




1



2





Sunrise Medical HCM B.V.
Vossenbeemd 104
5705 CL Helmond
The Netherlands

T: +31 (0)492 593 888
customerservice@sunrisemedical.nl
www.SunriseMedical.eu