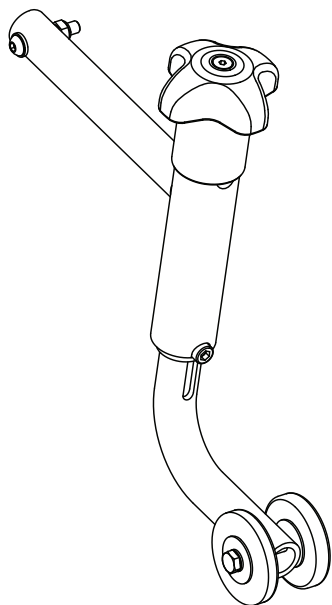


ASSEMBLY INSTRUCTION

Anti-tip



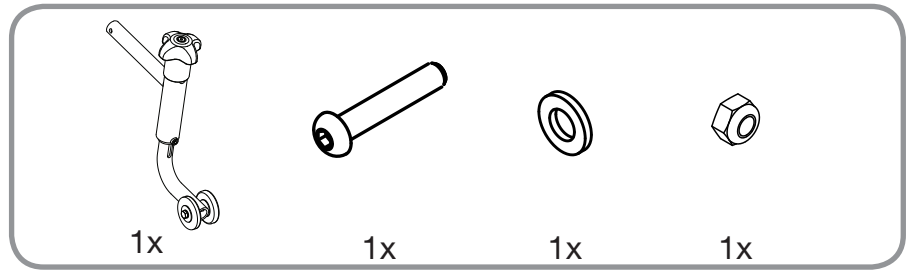
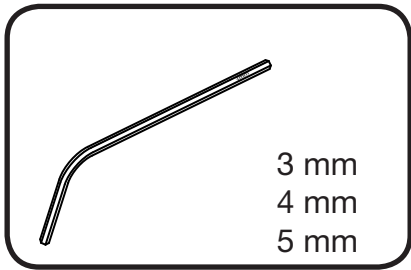
Description

Anti-tip Swing forward using leg

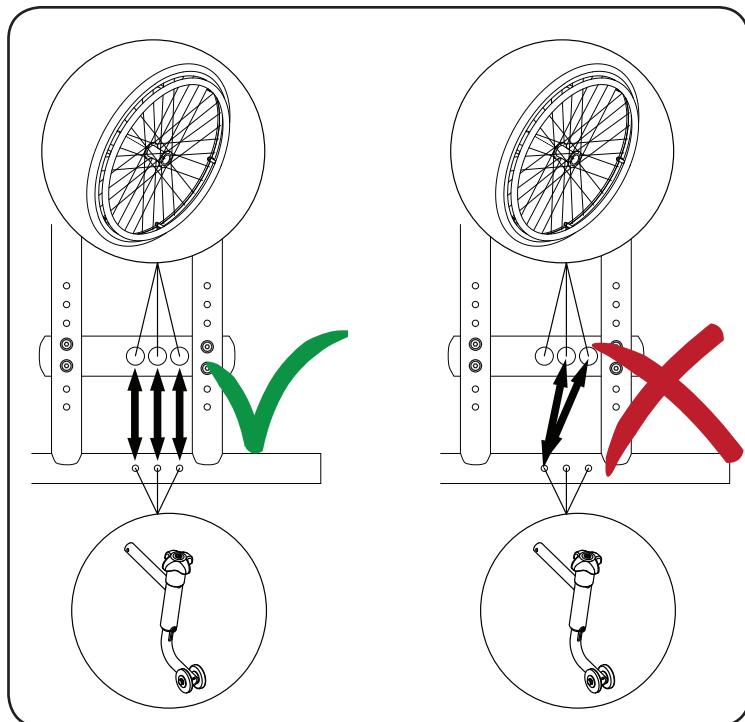
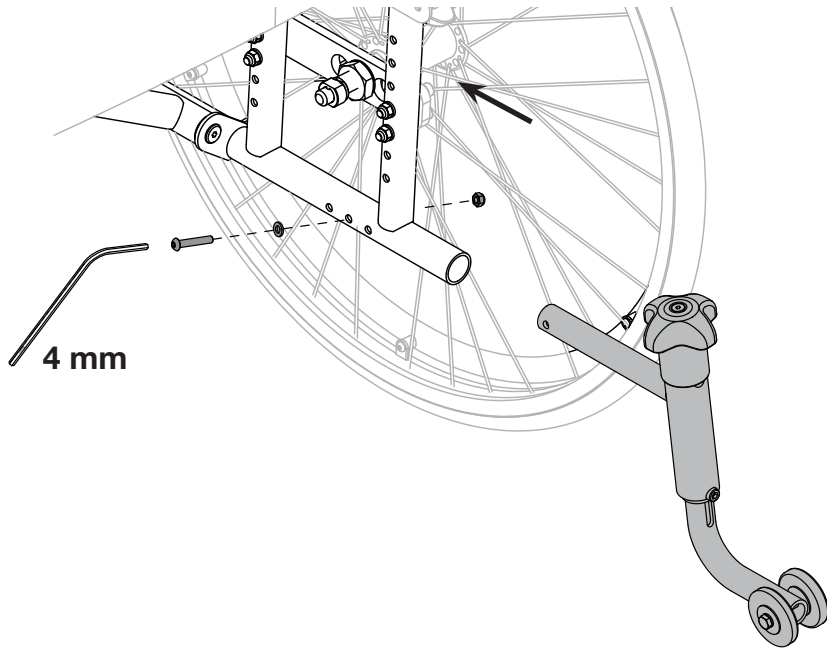
Article number

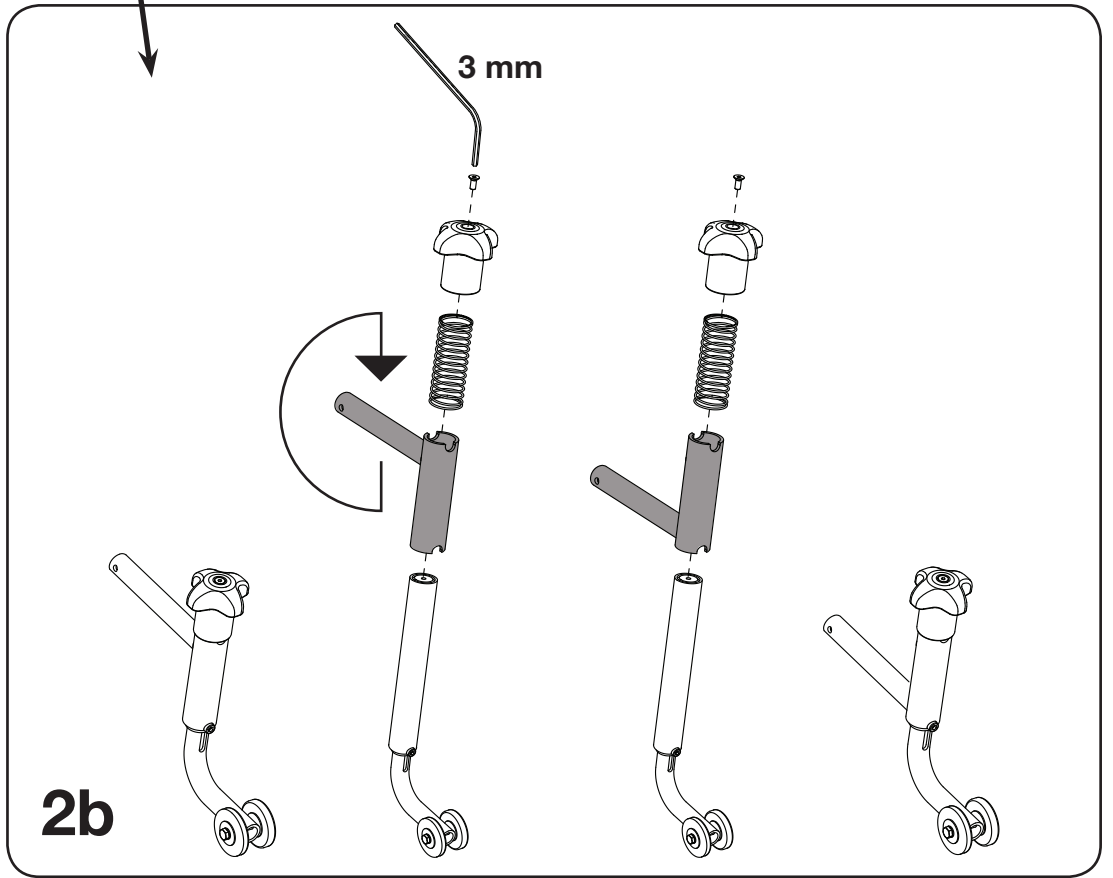
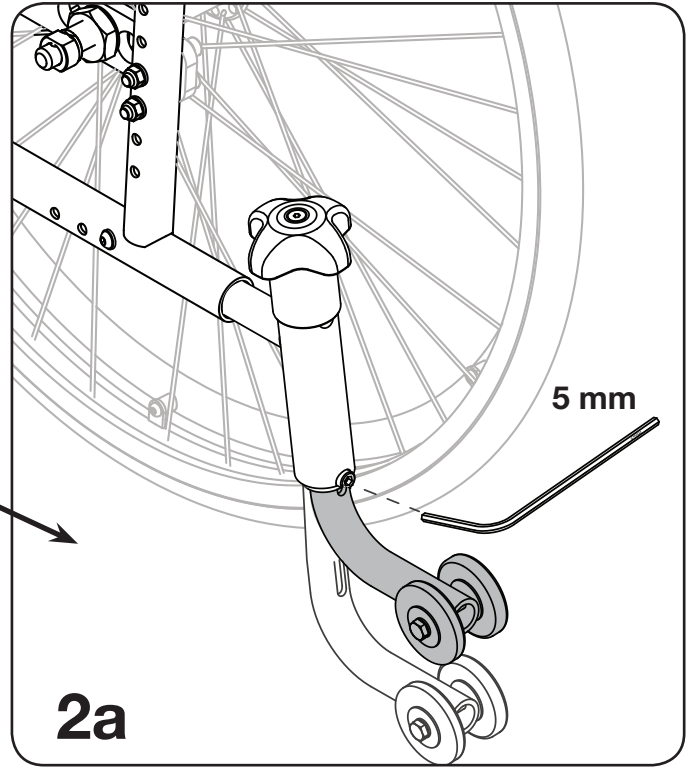
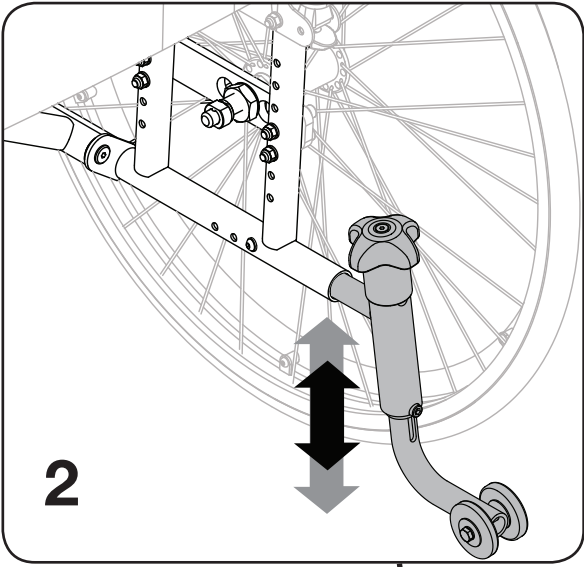
3009340





1







Sunrise Medical HCM B.V.
Vossenbeemd 104
5705 CL Helmond
The Netherlands

T: +31 (0)492 593 888
customerservice@sunrisemedical.nl
www.SunriseMedical.eu