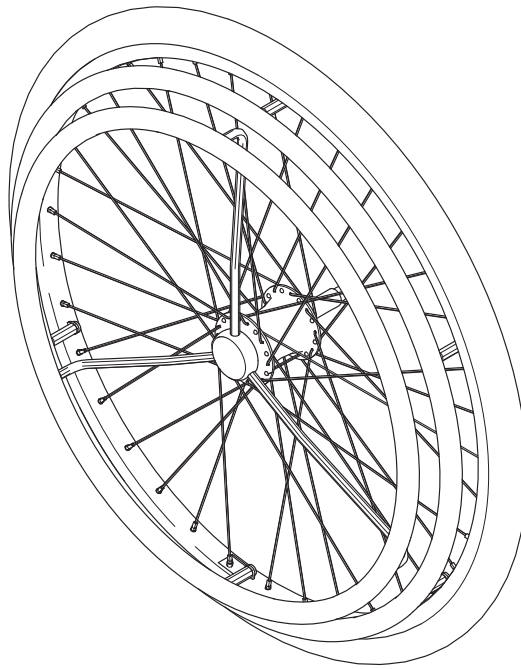


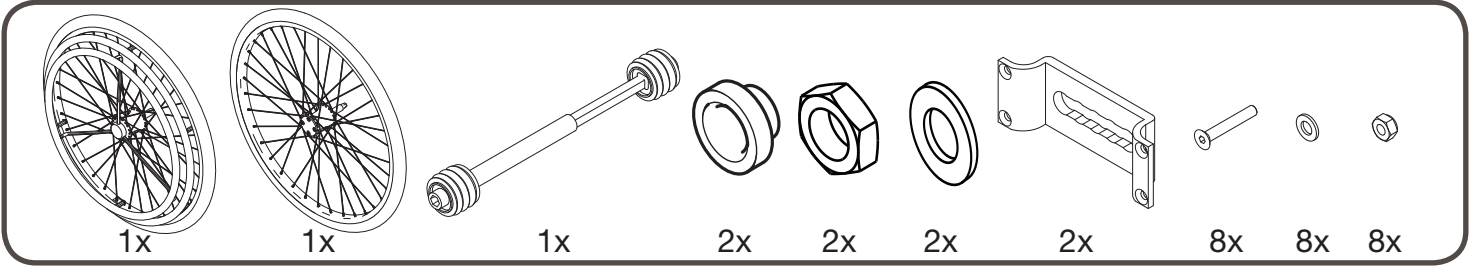
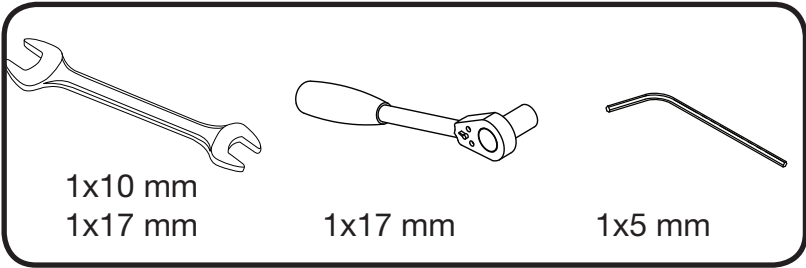
## ASSEMBLY INSTRUCTION

# One hand drive Exigo 30 and Impera

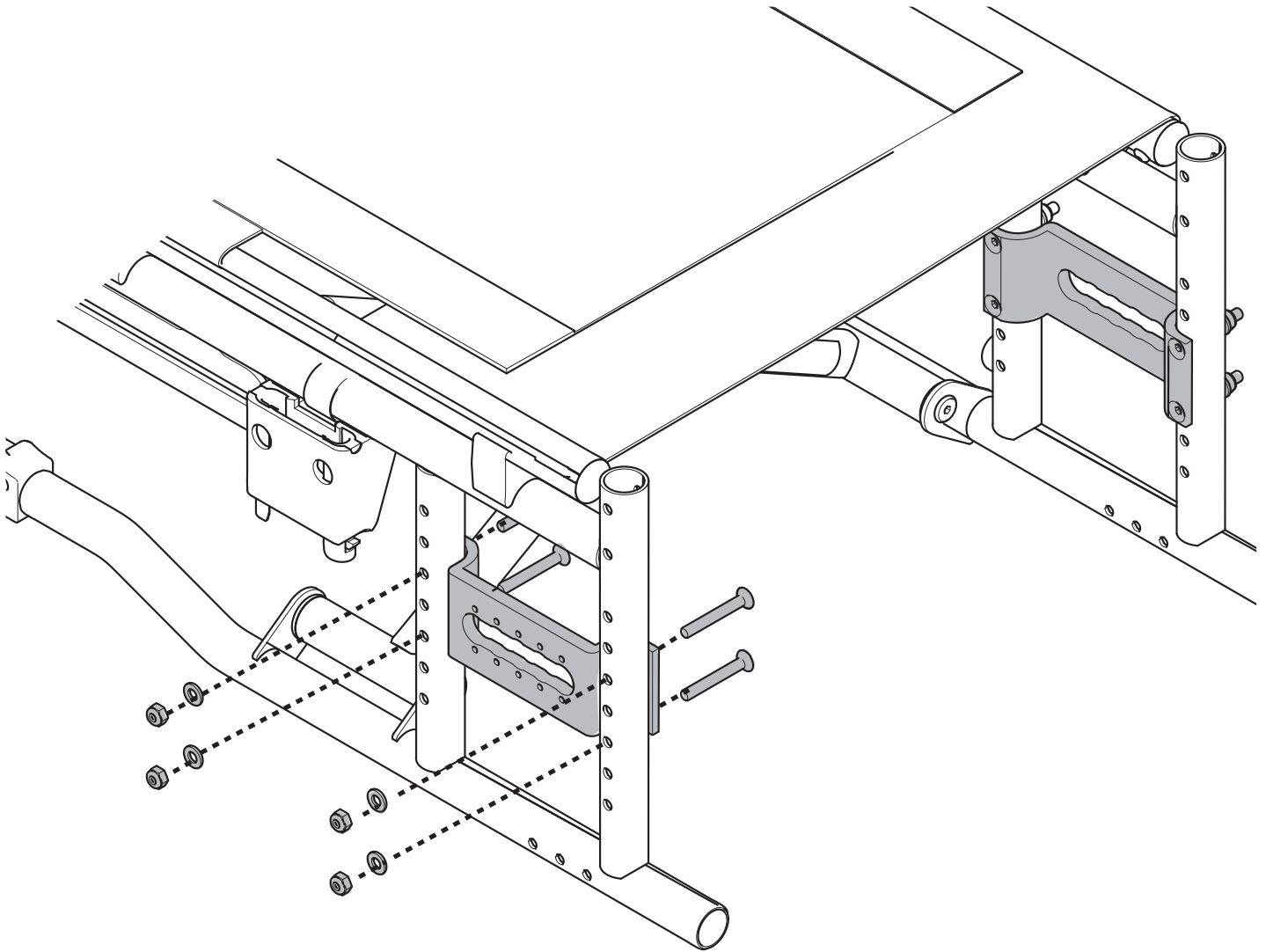


Description	Article number
One hand drive wheel, set, SW 36	<input type="checkbox"/> 3007910
One hand drive wheel, set, SW 39, 42	<input type="checkbox"/> 3007911
One hand drive wheel, set, SW 45, 48, 51	<input type="checkbox"/> 3007912
Wheels	<input type="checkbox"/> 3007925

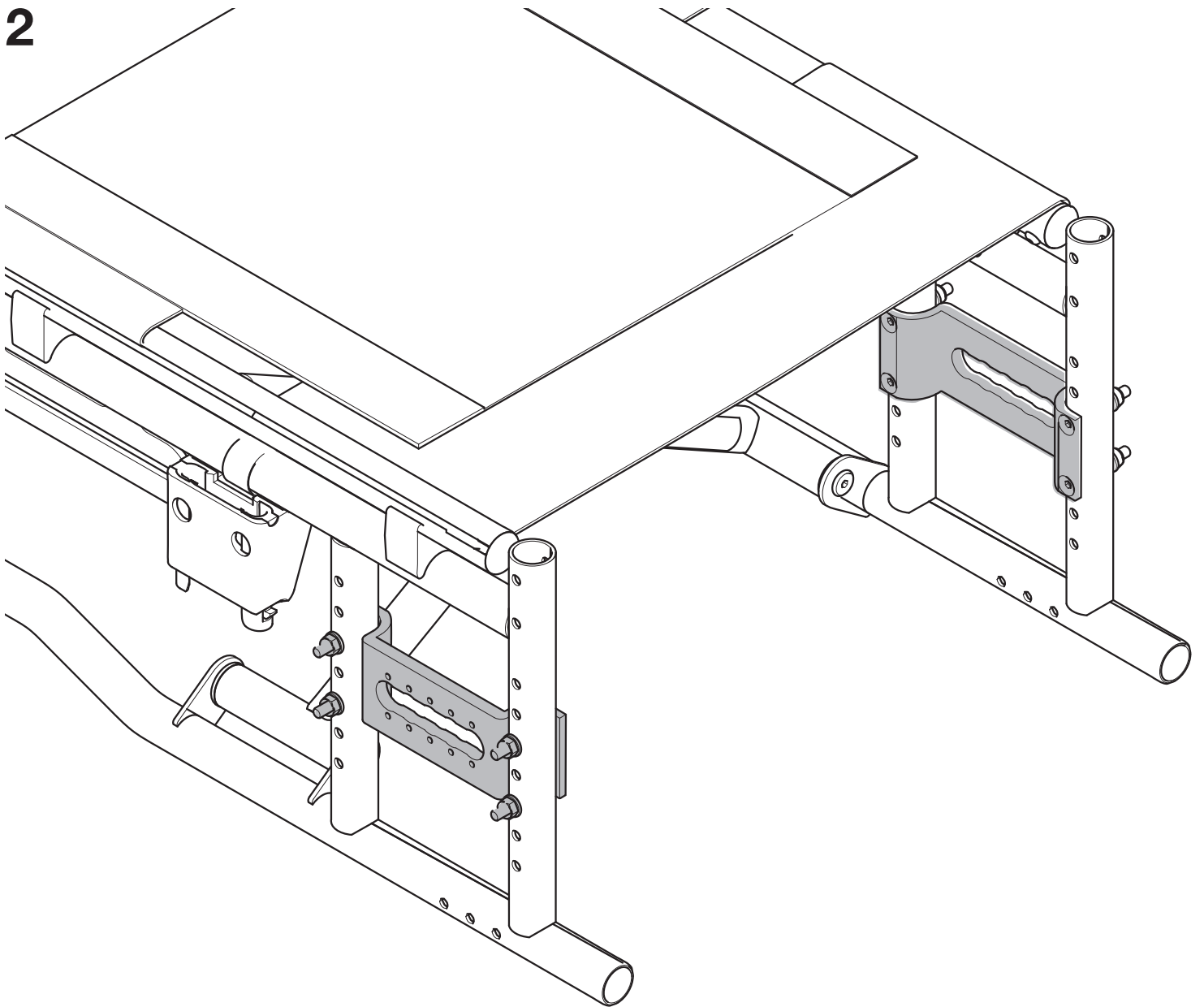


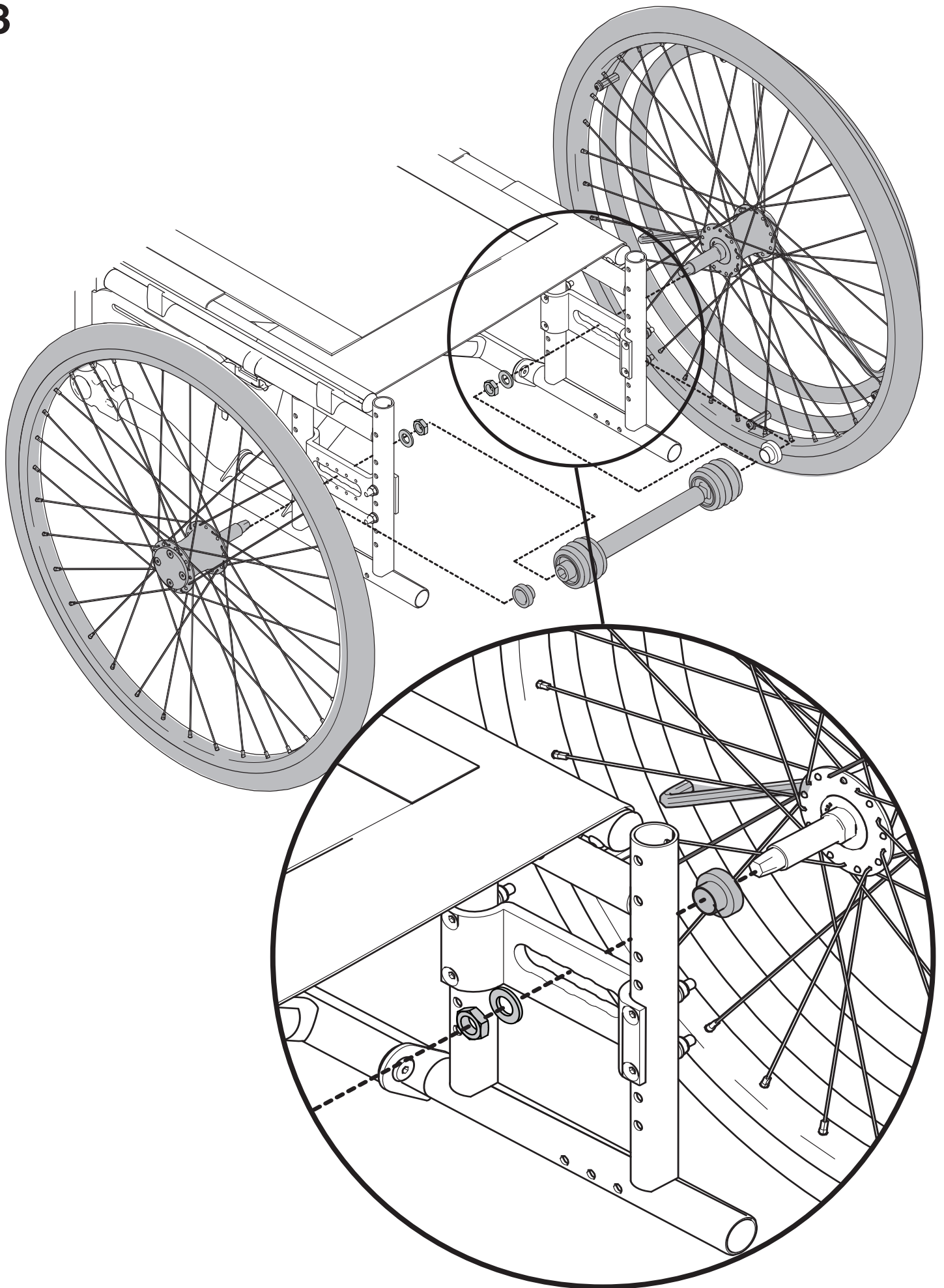


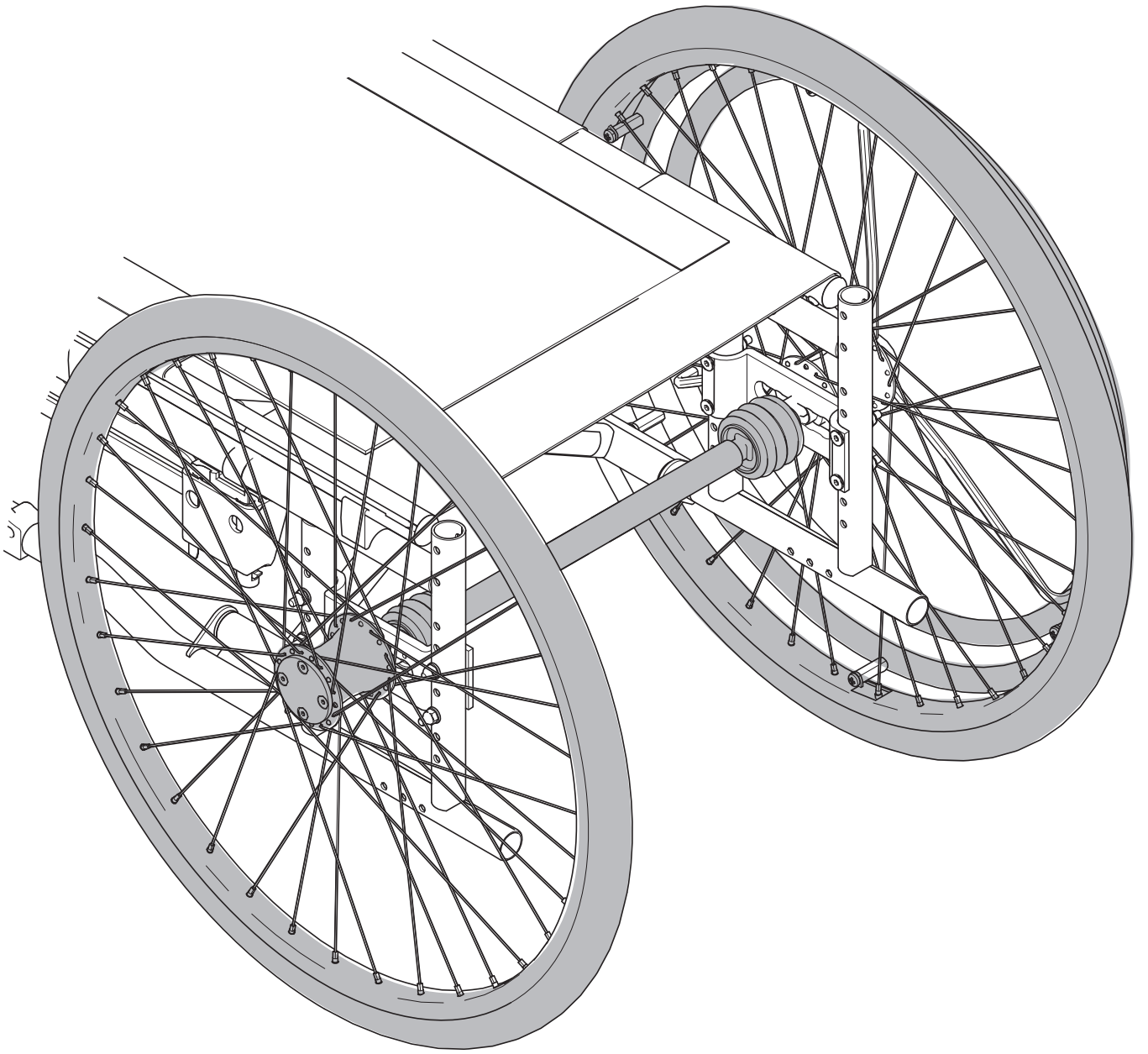
1



2













Sunrise Medical HCM B.V.  
Vossenbeemd 104  
5705 CL Helmond  
The Netherlands

T: +31 (0)492 593 888  
[customerservice@sunrisemedical.nl](mailto:customerservice@sunrisemedical.nl)  
[www.SunriseMedical.eu](http://www.SunriseMedical.eu)