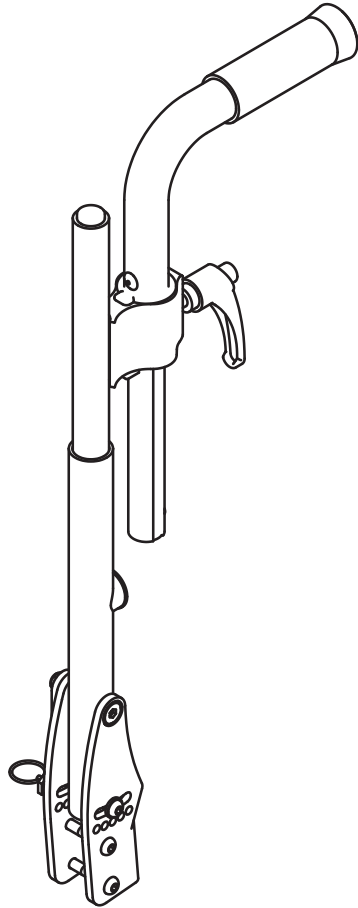


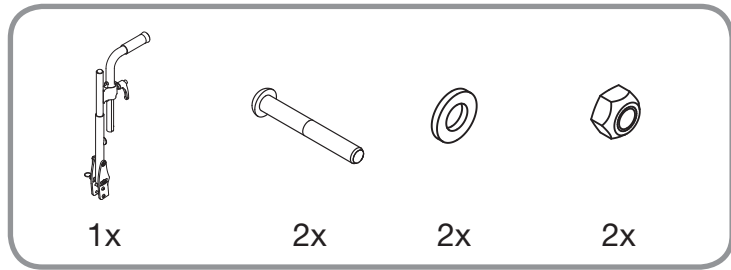
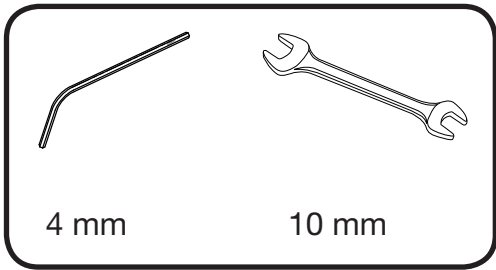
ASSEMBLY INSTRUCTION

Back

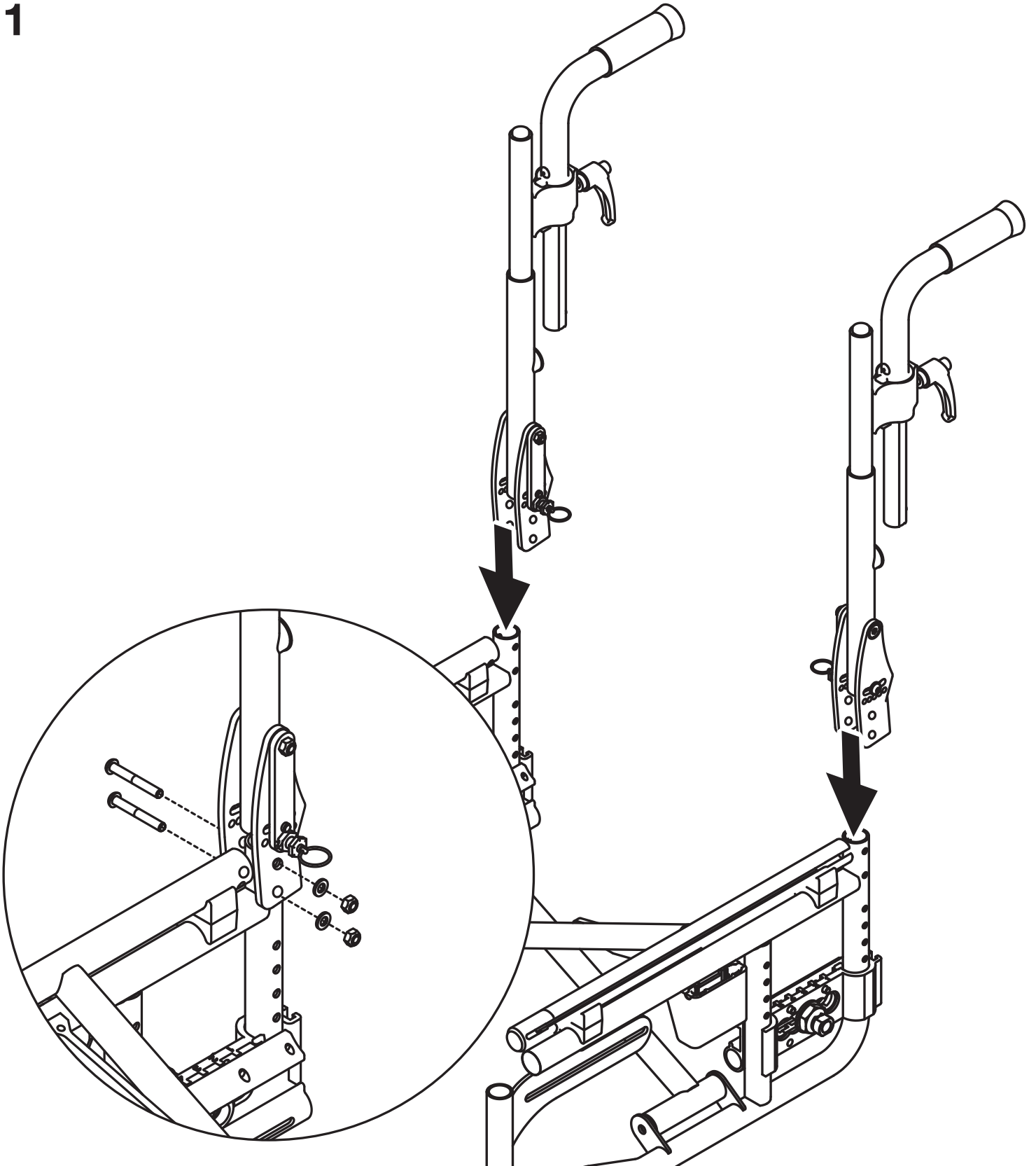


Description	Article number
Back, RHS	<input type="checkbox"/> 3305001
Back, LHS	<input type="checkbox"/> 3305002

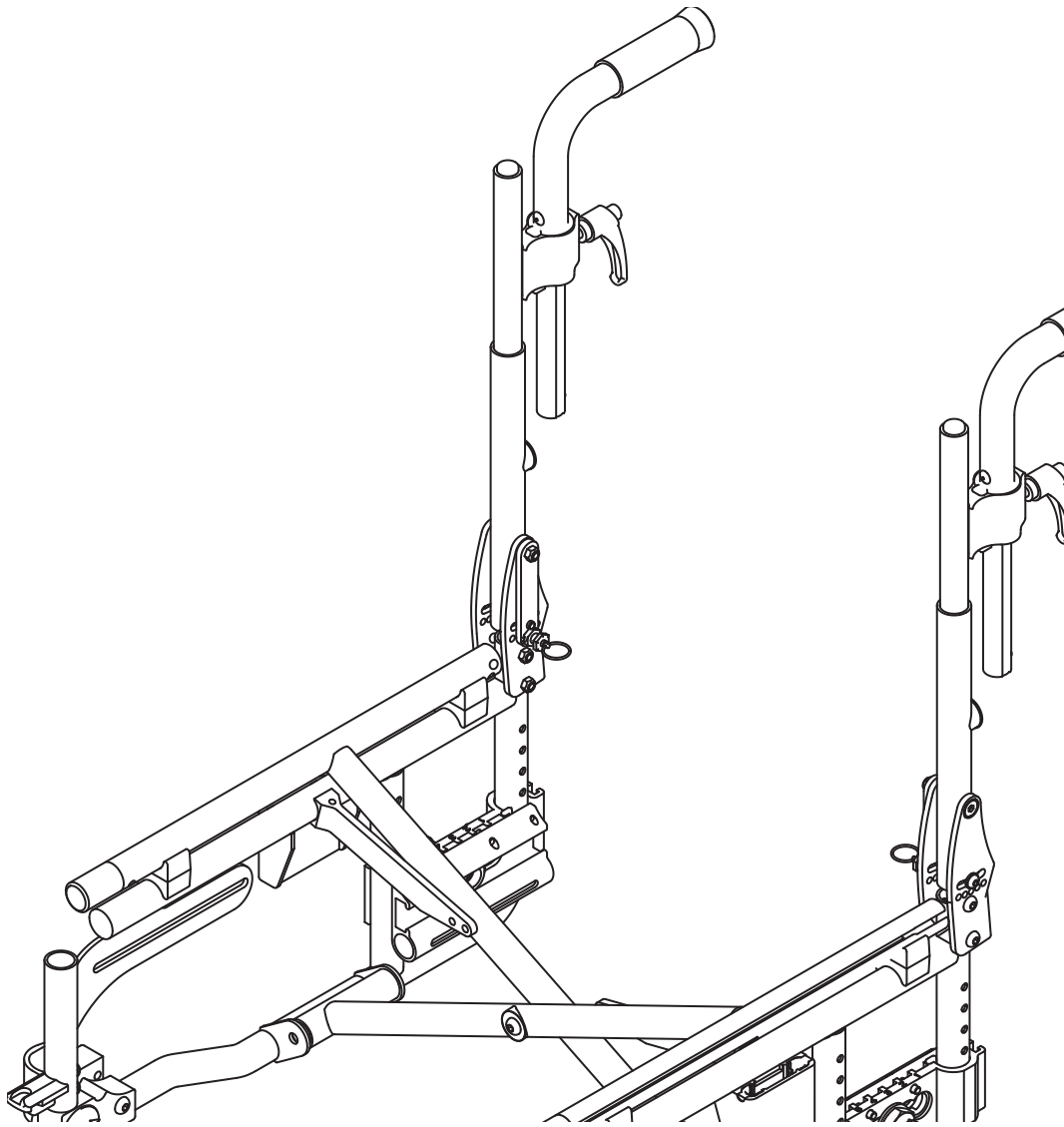




1



2





Sunrise Medical HCM B.V.
Vossenbeemd 104
5705 CL Helmond
The Netherlands

T: +31 (0)492 593 888
customerservice@sunrisemedical.nl
www.SunriseMedical.eu