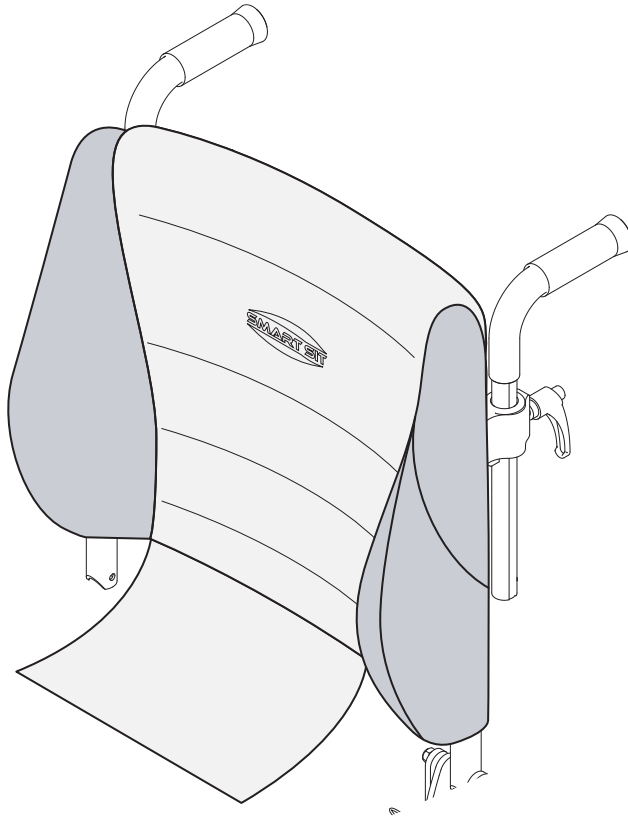


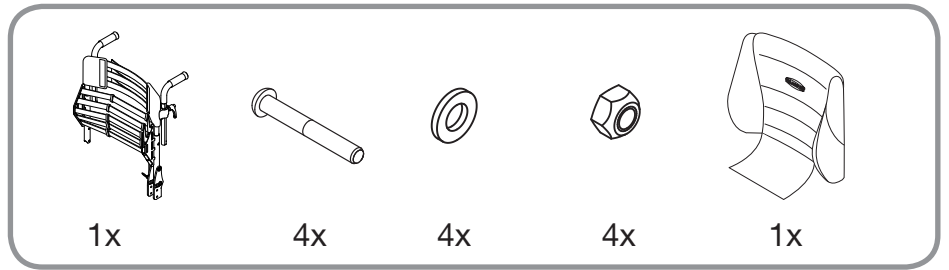
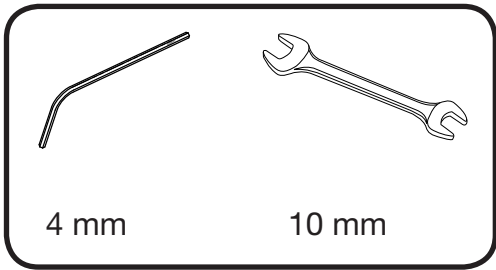
# ASSEMBLY INSTRUCTION

## Smartsit back

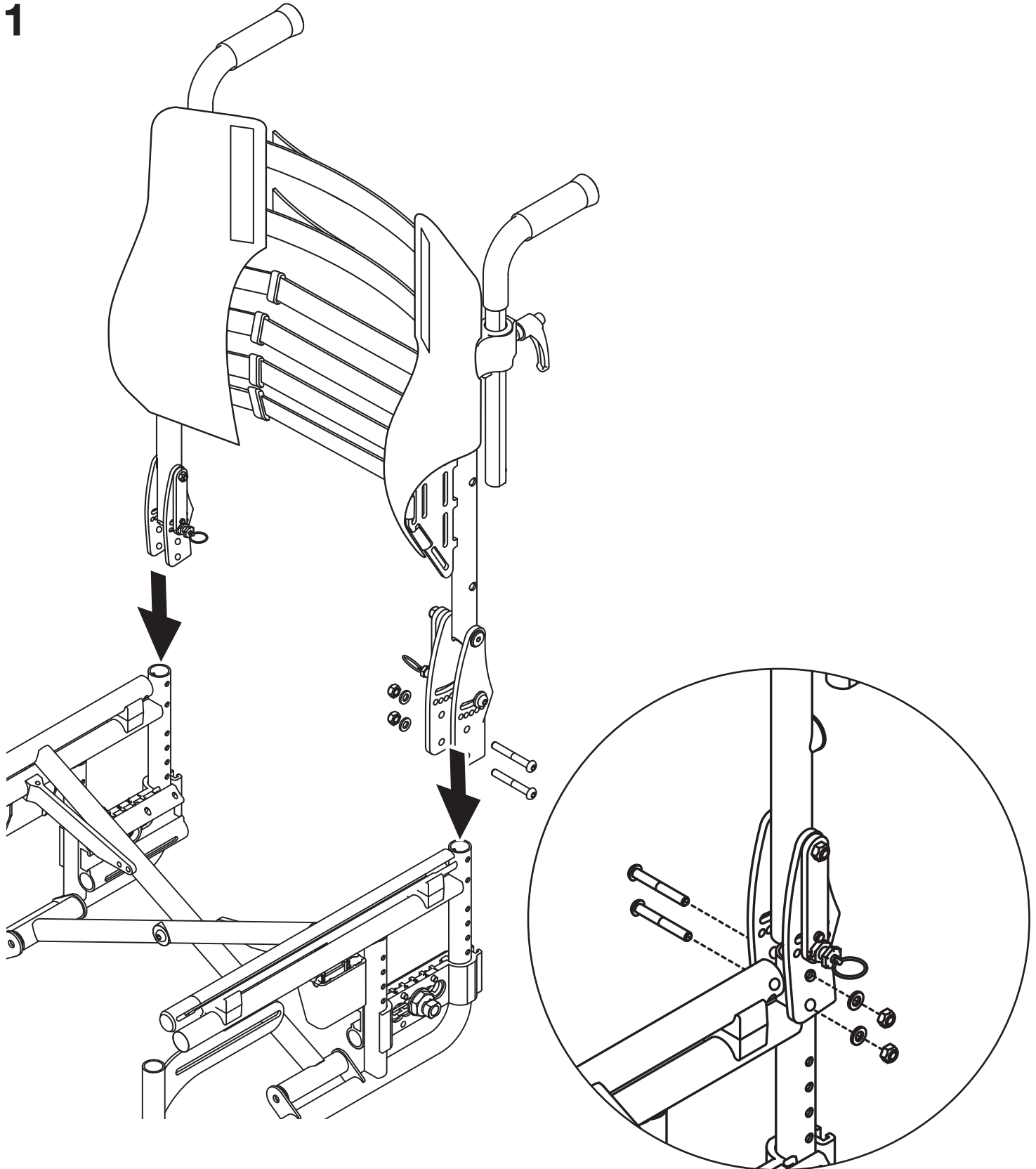


Description	Article number	
Seat width 36	<input type="checkbox"/>	3305020
Seat width 39	<input type="checkbox"/>	3305021
Seat width 42	<input type="checkbox"/>	3305022
Seat width 45	<input type="checkbox"/>	3305023
Seat width 48	<input type="checkbox"/>	3305024
Seat width 51	<input type="checkbox"/>	3305025

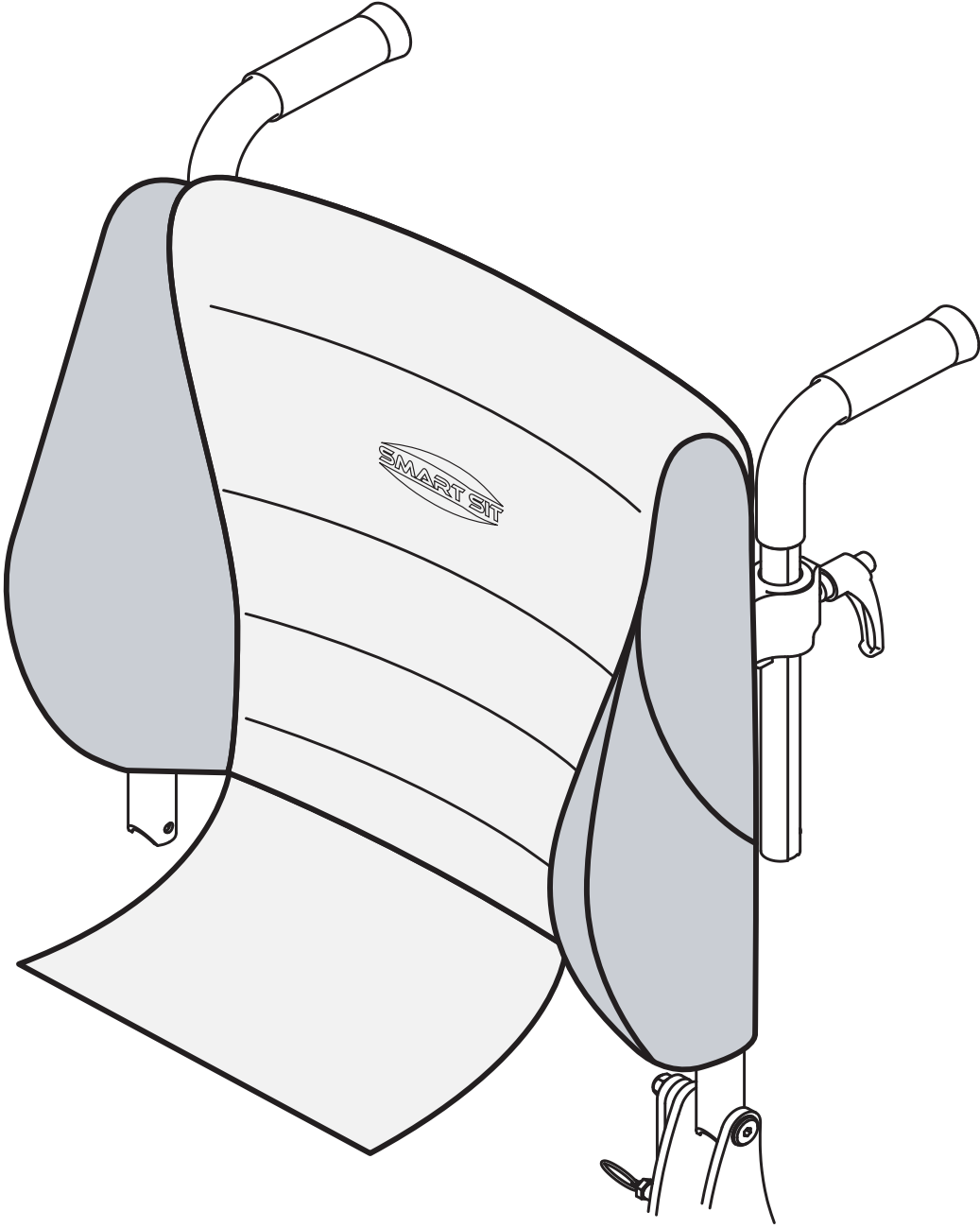




1



2





Sunrise Medical HCM B.V.  
Vossenbeemd 104  
5705 CL Helmond  
The Netherlands

T: +31 (0)492 593 888  
[customerservice@sunrisemedical.nl](mailto:customerservice@sunrisemedical.nl)  
[www.SunriseMedical.eu](http://www.SunriseMedical.eu)