

ELEKTRISK RULLESTOL

RAPTOR

DELEKATALOG

SPARE PARTS CATALOGUE

NO

EN



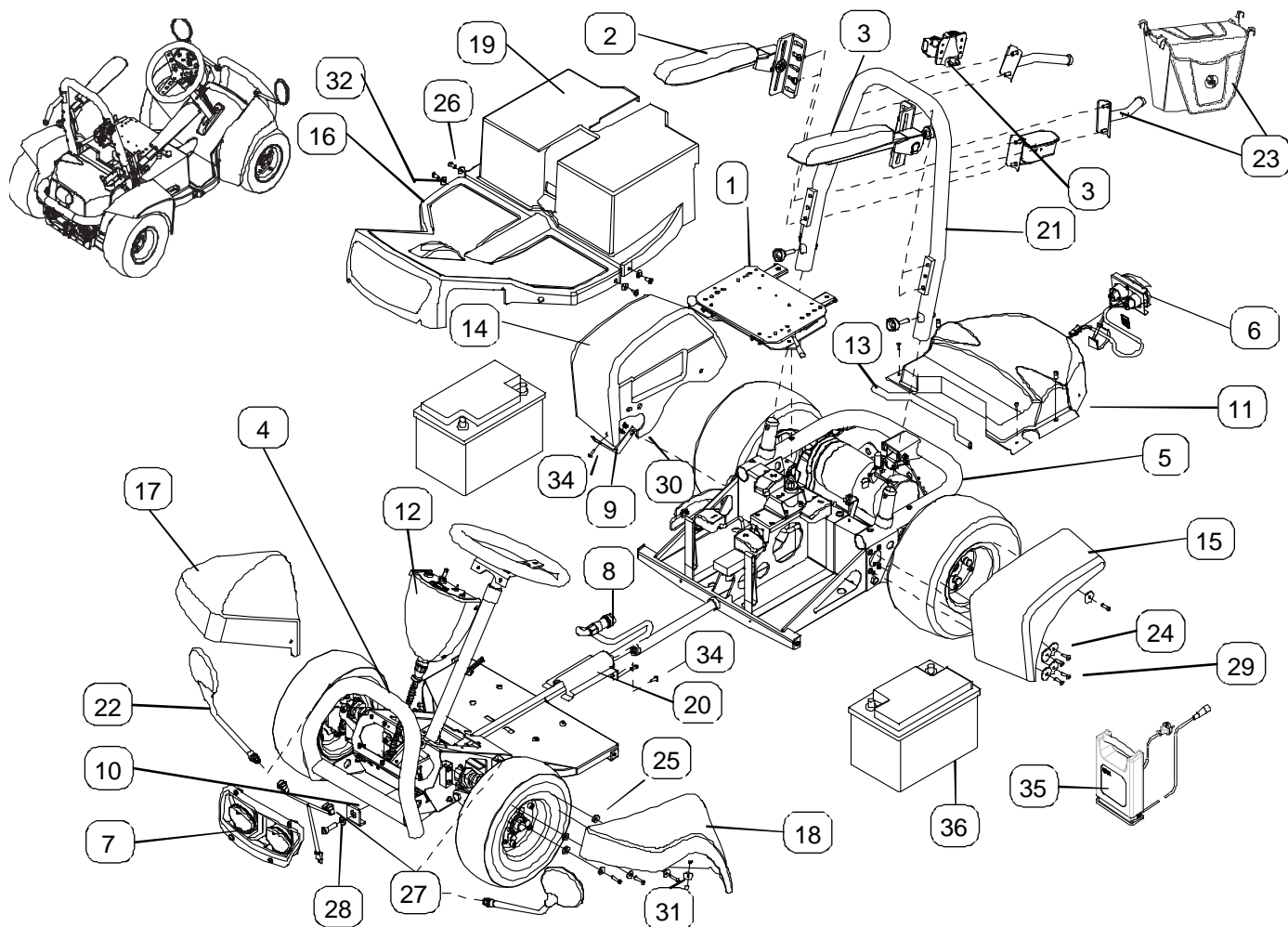
zippie®

The Zippie logo consists of a stylized, swooping graphic element above the word "zippie" in a lowercase, sans-serif font. A registered trademark symbol (®) is located at the end of the word.

Innholdsfortegnelse / Table of content

Kap./Chap.	Beskrivelse	Description	Side / Page
1.0	Understell	Chassis	
1.1	Understell komplett	Chassis complete	
1.2	Frontramme	Front frame	
1.3	Bakramme	Rear frame	
1.4	Deksler	Covers	
1.5	Hjuloppheng	Wheel suspension	
1.6	Fjæring bak	Spring suspension	
1.7	Parkbrems	Parking brake	
1.8	Hjul	Wheels	
2.0	Sete enhet	Seat Uniolt	
2.1	Standard sete	Standard seat	
2.2	Rally sete	Rally seat	
3.0	Elektronikk / Kabler	Electronics / Cables	
3.1	Regulator	Controller	
3.2	Kabler	Cables	
3.3	Styreboks	Controlbox	
3.4	Lader / Batteri	Charger / Batteries	
3.5	Frontlykt	Front Light	
3.6	Baklykt	Rear light	
4.0	Armlene	Armrest	
4.1	Armlene	Armrest	
5.0	Tilbehør	Accessories	
5.1	Veltebøyle	Roll over protection	
5.2	Bagasjeboks	Bagage box	
5.3	Ryggsekkfeste	Ruck Sack Fixation	
5.4	Bagasjebrett		
5.5	Fotbrett	Footplate	
5.6	Setebraketter	Seat bracekts	
5.7	Fjernstyrt stopp	Remote emergency stopp	
5.8	Diverse tilbehør	Accessories	

1.1 Understell, Komplett

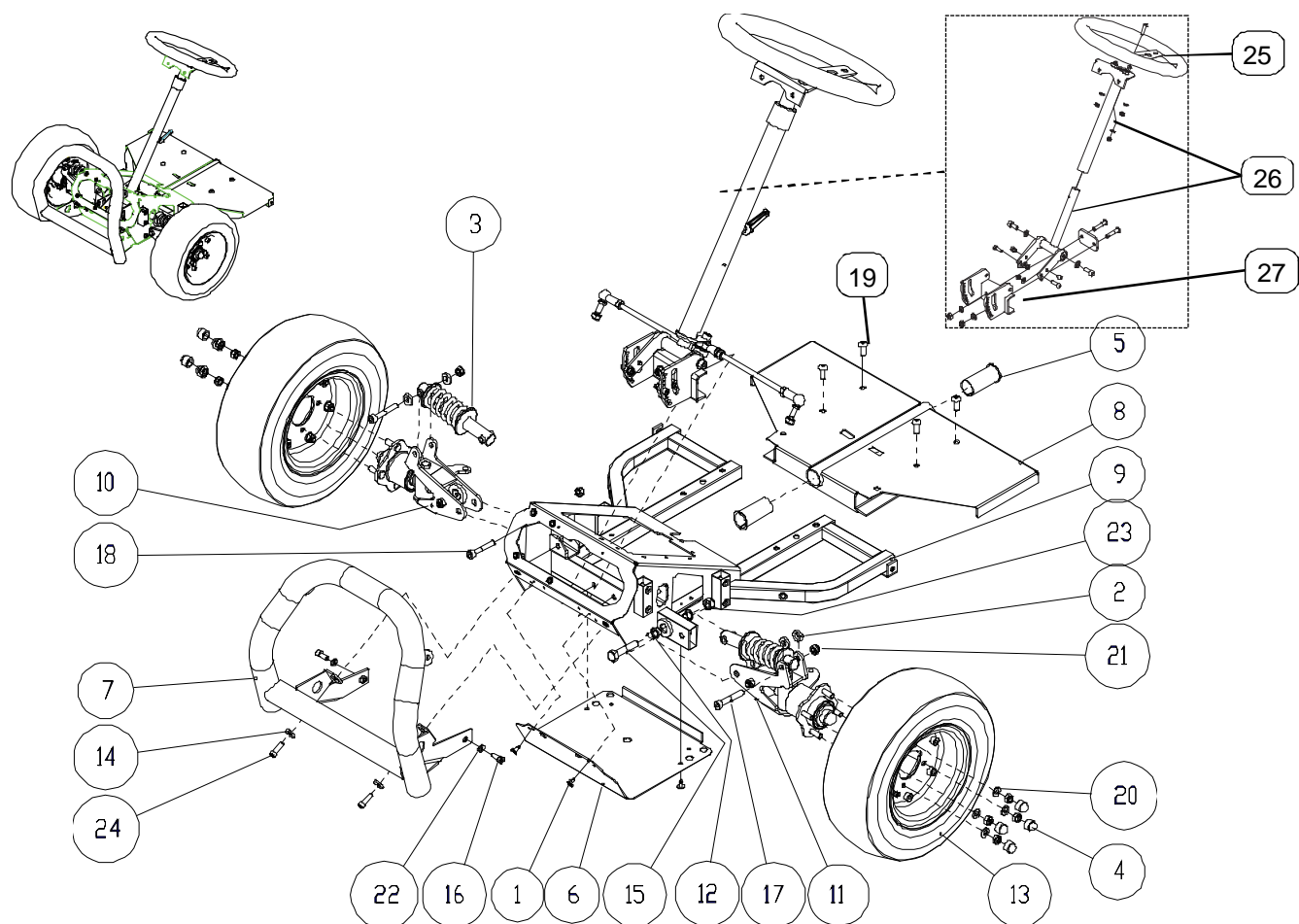


Pos	Ant/Qty	Art.No.	Beskrivelse	Description	Note
1,3-37		5320150	Understell Raptor std.	Chassis Raptor	
2-37		5320155	Understell Raptor lang	Chassis Raptor long	
1	1	5322302	Setesving m/forskyver kpl.	Seat swing out with mover	
2	1	5322300	Armlene kpl. Hø	Armrest complete RHS	S
3	1	5322301	Armlene kpl. Ve	Armrest complete LHS	S
4	1	5321100	Frontramme manuell styring, komplett	Front frame Manual steering, complete	S
5	1	5321205	Bakramme kpl.	Rear frame/chassis, complete	
6	1	5323101	Baklykt kpl.	Rear light complete	S
7	1	5321520	Lyktegrill kpl. m/kabel+festem	Front Light kpl with cables	S
8	1	5323502	Fremre kabel, styreboks/lys	Cable front for controller / light	S
9	1	5322136	Avstiver bakskjerm lakk		
10	1	5320120	Rotasjonslås	Locking bracket, rotation	
11	1	5322034	Motordeksel Raptor / PS	Rear cover, engine, electronics	S
12	1	5323100	Styreboks komplett	Joystick complete	
13	1	5322178	Gummilist motordeksel		
14	1	5322035	Bakskjerm Hø Raptor / PS	Mudguard rear wheel RHS	S
15	1	5322036	Bakskjerm Ve Raptor / PS	Mudguard rear wheel LHS	S
16	1	5322030	Deksel frontramme Raptor	Cover frontframe	S
17	1	5322031	Framskjerm Hø Raptor / PS	Mudguard front wheel RHS	S
18	1	5322032	Framskjerm Ve Raptor / PS	Mudguard front wheel LHS	S
19	1	5322033	Batterideksel Raptor / PS	Cover, batteries	S
20	1	5322132	Deksel, kabelbeskyttelse	Cover, protection cabling	S
21	1	5329100	Veltebøyle komplett	Roll-over Protection complete	S
22	2	5329160	Speil kpl. Hø=Ve	Mirror RHS=LHS	S
23	1	5329250	Veske Raptor kpl.	Bag	S
24	1	411 6302	Skjermskive M6xD30 T2	Screen washer M6xD30 T2	
25	8	97306	Skive, plast, Ø20/ø8 x 4	Washer Ø20/ø8x4, plastic	
26	4	CA340007	UNB Skrue M6x16 Senk Elz.	Screw M6x16 countersunk Elz.	DIN7991

1.1 Understell, Komplet

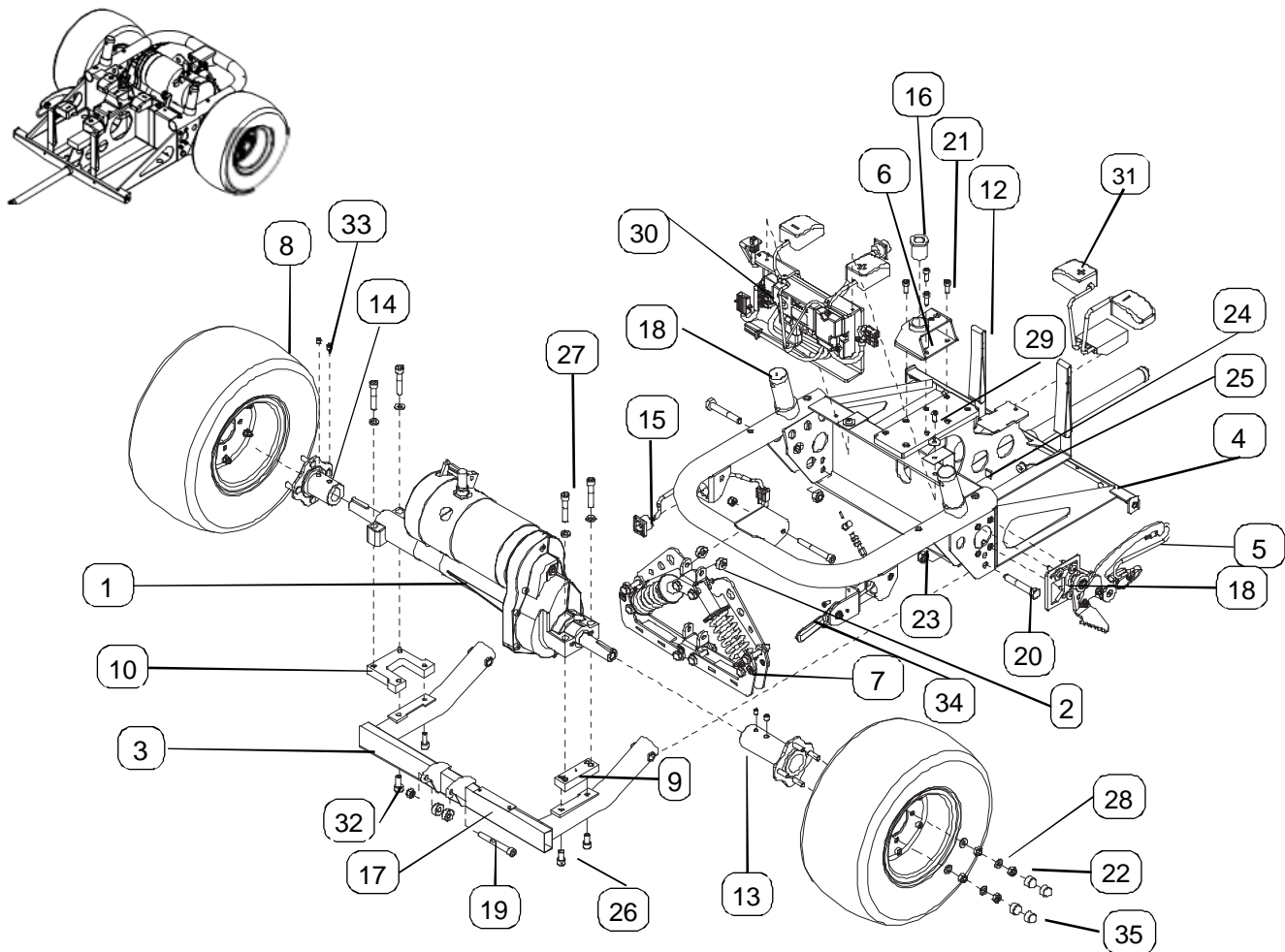
Pos	Ant/Qty	Art.No.	Beskrivelse	Description	Note
27	1	97301	Underlagsskive M10 Elz	Washer M10 Elz.	
28	1	97302	UNB Skrue M10x30 Syl. Elz	Socket screw M10x30 Cyl. Elz.	DIN912
29	6	97125	Linseskruer M6x20 Elz	Screw Pan Head M6X20 Elz	ISO7380
30	3		Karosseriskive 6,4x20x1,25	Washer 6,4x20x1,25	
31	10		Karosseriskive 6,4x25x1,25	Washer 6,4x25x1,25	
32	4	CA230007	Underlagsskive	Washer	S
33	1	5329320	Krykkeholder	Crutch holder	S
34	1	97124	UNB Skrue M6x16 Linse Elz.	Socket screw M6x16 Lens Elz.	ISO7380
35	1	MCL5051	Lader m/laderplugg	Charger	S
36	2	NGA5120060HS0BA	Batteri	Battery	S

1.2 Understell, Frontramme



Pos	Ant/Qty	Art.No.	Beskrivelse	Description	Note
1-24	1	5321100	Frontramme manuell styring, komplett	Front frame Manual steering, complete	S
1	4	97229	Plateskrue 4,2x14 Sort	Plate Screw 4.2x14 Black	
2	4	97306	Skive, plast, Ø20/Ø8 x 4	Washer Ø20/Ø8x4, plastic	
3	2	5327120	Demper Raptor	Shock absorber	S
4	8	M8SW13	Mutterhette M8 sort	Nut cap M8 black	
5	2	5321139	Torsjonslager 60 mm	Torsion bearing 60mm	
6	1	5321161	Skrapedeksel	Bottom guard plate	
7	1	5321104	Støtfanger foran	Bumper, front	
8	1	5321102	Forlengerramme	Extension frame	
9	1	5321151	Øvre frontramme PS, sveist	Upper front frame PS, welded	
10	1	5327010	Hjuloppheng Hø	Wheel suspension RHS	
11	1	5327011	Hjuloppheng Ve	Wheel suspension LHS	
12	4	5143557	Glycodurforing, 10090	Bushing Ø10x9	
13	2	5327101	Framhjul komplett m/felg	Front wheel w/rim, complete	S
14	2	97103	Underlagsskive Ø6,4x17x3 Elz.	Washer Ø6,4x17x3 Elz.	DIN6340
15	2	97314	Skrue M10x50 Elz.	Hexagon screw M10x50 Elz.	DIN933
16	2	0836-16	Skrue M6x16 Elz	Screw M6x16 Elz	DIN912
17	2	97185	Skrue M8x50 Elz.	Screw M8x50 Elz	DIN912
18	2	5114605	UNB Skrue M8x45 Syl. Elz.	Socket screw M8x45 Cyl. Elz.	DIN912
19	4	5146208	UNB Skrue M8x20 Linse Elz.	Socket screw M8x20 Lens Elz.	ISO7380
20	8	A120020	Underlagsskive M8 Elz.	Washer M8 Elz.	DIN125
21	12	A200012	Låsemutter M8 Nylock Elz.	Lock nut M8 Nylock Elz.	DIN985
22	2	A230006	Underlagsskive Ø6 Elz.	Washer Ø6 Elz.	DIN125
23	2	A910021	Låsemutter M10 Nylock KV8 Elz.	Lock nut M10 Nylock KV8 Elz.	DIN985
24	2	CA710015	UNB Skrue M6x20 Syl. Elz.	Socket screw M6x20 Cyl. Elz.	DIN912
25	1	121824 5739-01	Ratt	Steering wheel	S
26	1	5321080	Rattstamme komplett	Steering coloumn complete	S
28	1	5321194	T-stykke rattstamme komplett	Bracket, Steering coloumn complete	

1.3 Understell, Bakramme

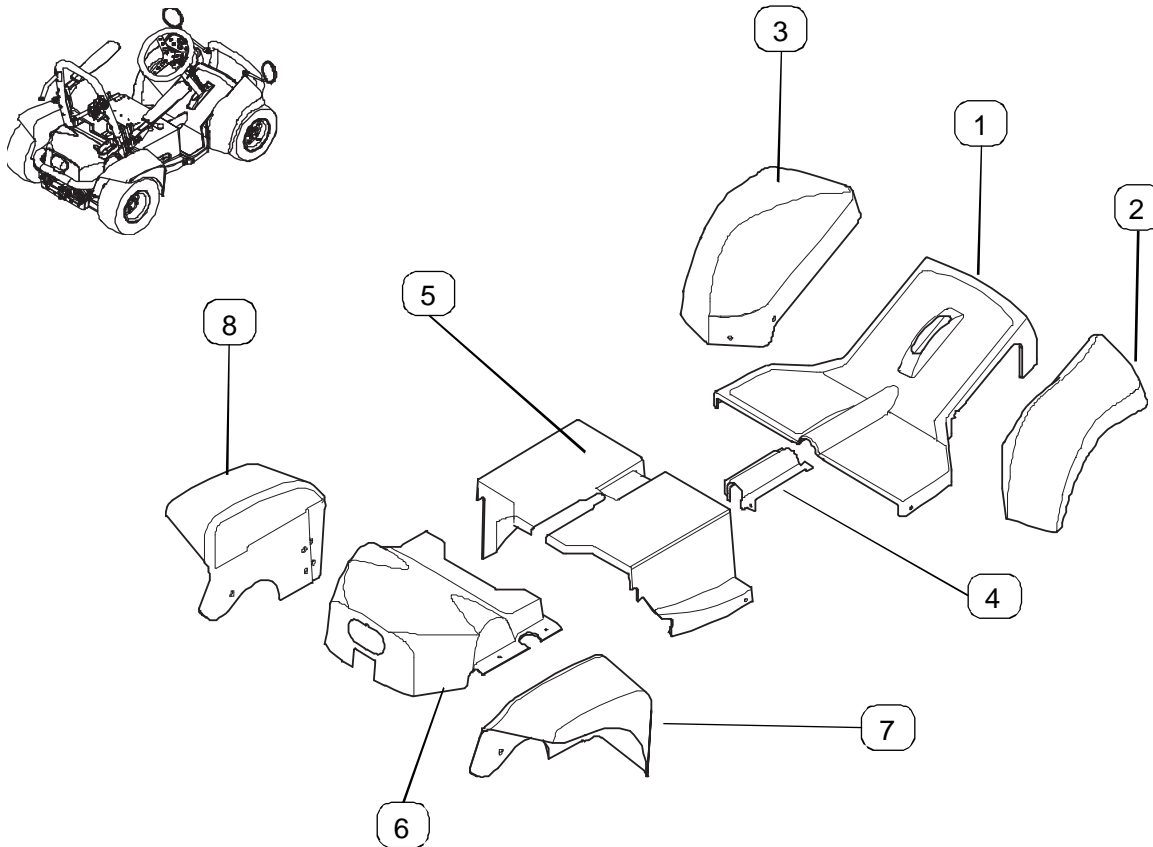


Pos	Ant/Qty	Art.No.	Beskrivelse	Description	Note
1-23		5321205	Bakramme kpl.	Rear frame/chassis, complete	
1	1	5323605	Motor Raptor S-Drive	Transaxle w/cables	
2	4	5321241	Distansehylse, POM	Distance Sleeve, POM	
3	1	5321210	Nedre bro, bakramme	Rear frame, lower	
4	1	5321201	Sveist bakramme	Rear frame/chassis, welded	
5	1	5328113	Parkbrems	Parking-brake	S
6	1	5321202	Setefeste	Seat fastener bracket	
7	1	5327111	Fjæring bak, komplett	Spring suspension, complete	S
8	2	5327100	Bakhjul komplett m/felg	Rear Wheel w/rim complete	S
9	1	5323608	Motorfeste, hø	Fixing bracket for motor RHS	
10	1	5323609	Motorfeste, ve	Fixing bracket for motor LHS	
11 *	1	IKM0085	Batteristropp	Battery strap	S
12	2	5321219	Løftestropp batteri, Raptor PS	Lifting strap for battery, Raptor PS	
13	1	5327170	Nav sveist, bakhjul hø	Hub rear wheel RHS	
14	1	5327171	Nav sveist, bakhjul ve	Hub rear wheel LHS	
15	1	121824 5802	Ladekontakt m/kabel	Plug for charger with cable	
16	1	121824 5796	Foring til sete knert	Bushing seat, KNERT	
17	1	96756	Merke, serienummer alu.	Label, Serial number Alu.	
18	1	5321243	Plastpropp	Plastic plug	
19	2	97371	Skrue M8x70 Elz.	Screw M8x70 Elz	DIN931
20	2	97372	Skrue M10x65 Elz.	Screw M10x65 Elz	DIN931
21	4	0836-16	Skrue M6x16 Elz	Screw M6x16 Elz	DIN912
22	10	A200012	Låsemutter M8 Nylock Elz.	Lock nut M8 Nylock Elz.	DIN985
23	2	A910021	Låsemutter M10 Nylock KV8 Elz.	Lock nut M10 Nylock KV8 Elz.	DIN985
24	4	5111811	Gummiknott 6mm	Rubber plug 6mm	
*			Ikke vist i tegning	Not shown in drawing	

1.3 Understell, Bakramme

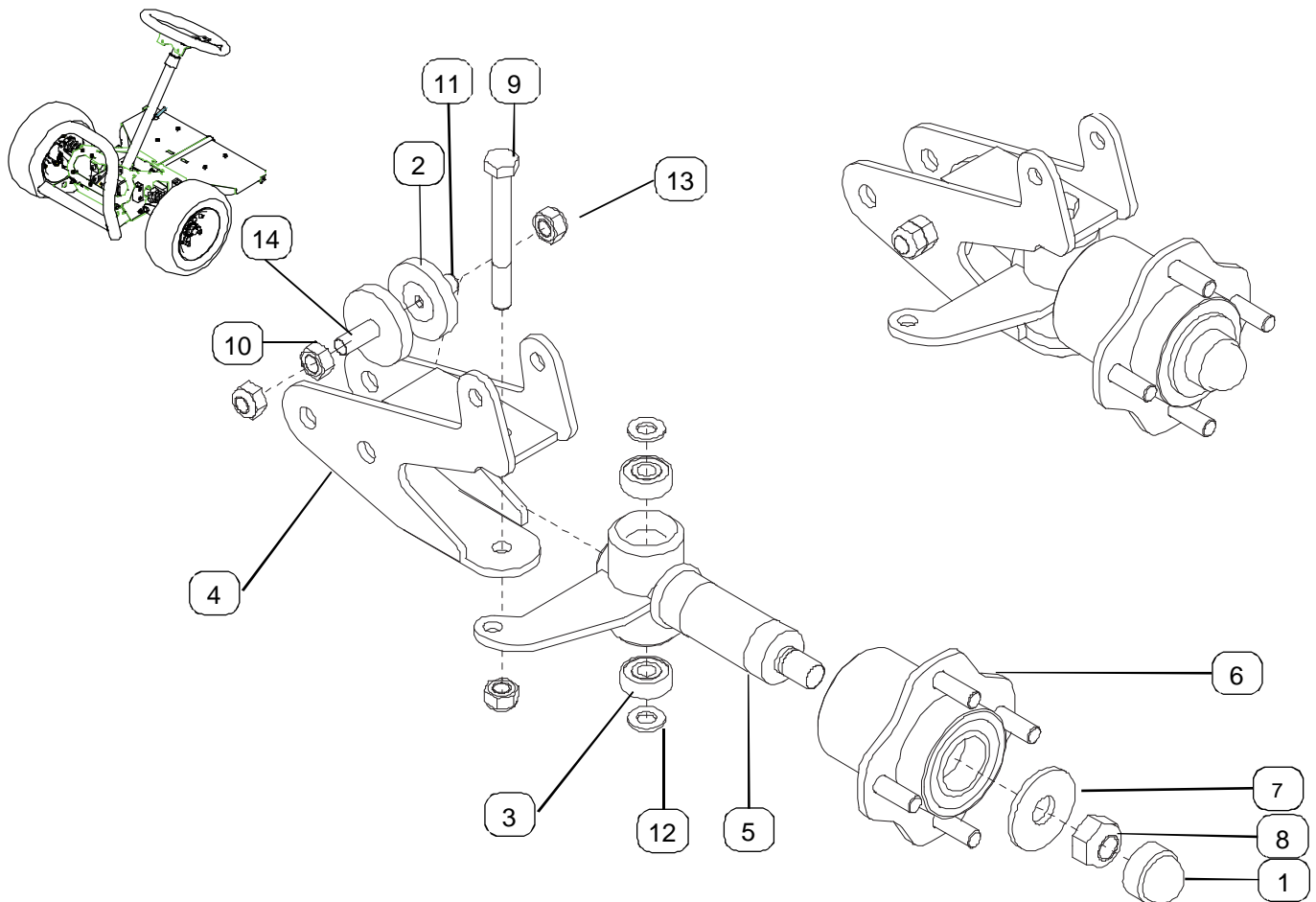
Pos	Ant/Qty	Art.No.	Beskrivelse	Description	Note
25	4	5111510	Gummidemper	Rubber dampener	
26	2	97216	UNB Skrue M8x16 Syl. Elz.	Socket screw M8x16 Cyl. Elz.	DIN912
27	4	5114605	UNB Skrue M8x45 Syl. Elz.	Socket screw M8x45 Cyl. Elz.	DIN912
28	12	A120020	Underlagsskive M8 Elz.	Washer M8 Elz.	DIN125
29	2	97124	UNB Skrue M6x16 Linse Elz.	Socket screw M6x16 Lens Elz.	ISO7380
30	1	5323015	Regulator kpl S-Drive	Controller S-Drive	S
31	1	5130500	Batterikable m/sikring,	Cable battery w/fuse	S
32	2	97319	UNB Skrue M8x20 Syl. Elz.	Socket screw M8x20 Cyl. Elz.	DIN912
33	4	A223004	Settskrue M8x8 A2	Set screw M8x8 A2	DIN916
34	1	5323625	Bremseutløser kpl.	Brake release complete	
35	8	M8SW13	Mutterhette M8 sort	Nut cap M8 black	

1.4 Understell, Deksler



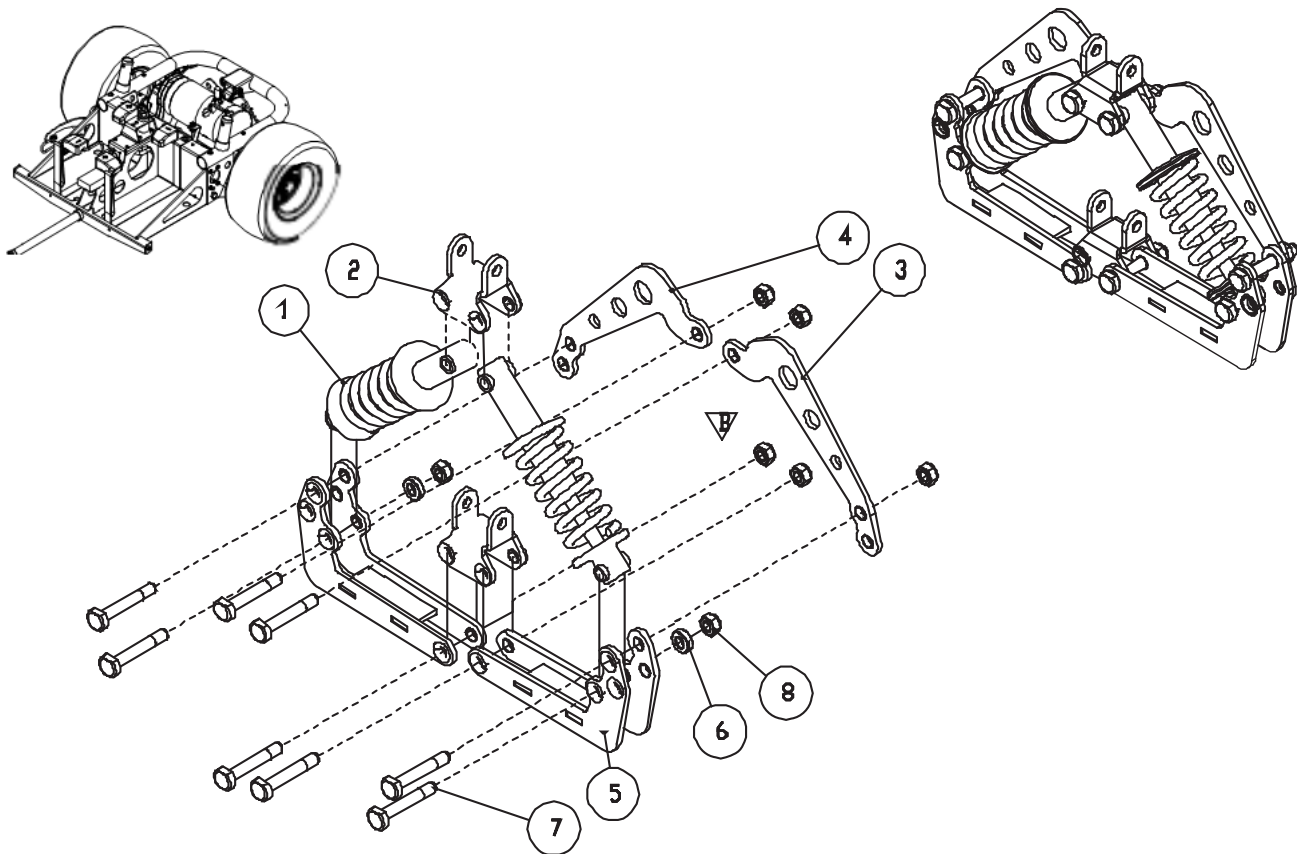
Pos	Ant/Qty	Art.No.	Beskrivelse	Description	Note
1	1	5322050	Frontdeksel kpl. Ny	Front cover, complete	S
2	1	5322031	Framskjerm Hø Raptor / PS	Mudguard front wheel RHS	S
3	1	5322032	Framskjerm Ve Raptor / PS	Mudguard front wheel LHS	S
4	1	5322132	Deksel, kabelbeskyttelse	Cover, protection cabling	S
5	1	5322033	Batterideksel Raptor / PS	Cover, batteries	S
6	1	5322034	Motordeksel Raptor / PS	Rear cover, engine, electronics	S
7	1	5322035	Bakskjerm Hø Raptor / PS	Mudguard rear wheel RHS	S
8	1	5322036	Bakskjerm Ve Raptor / PS	Mudguard rear wheel LHS	S

1.5 Understell, Hjuloppheng



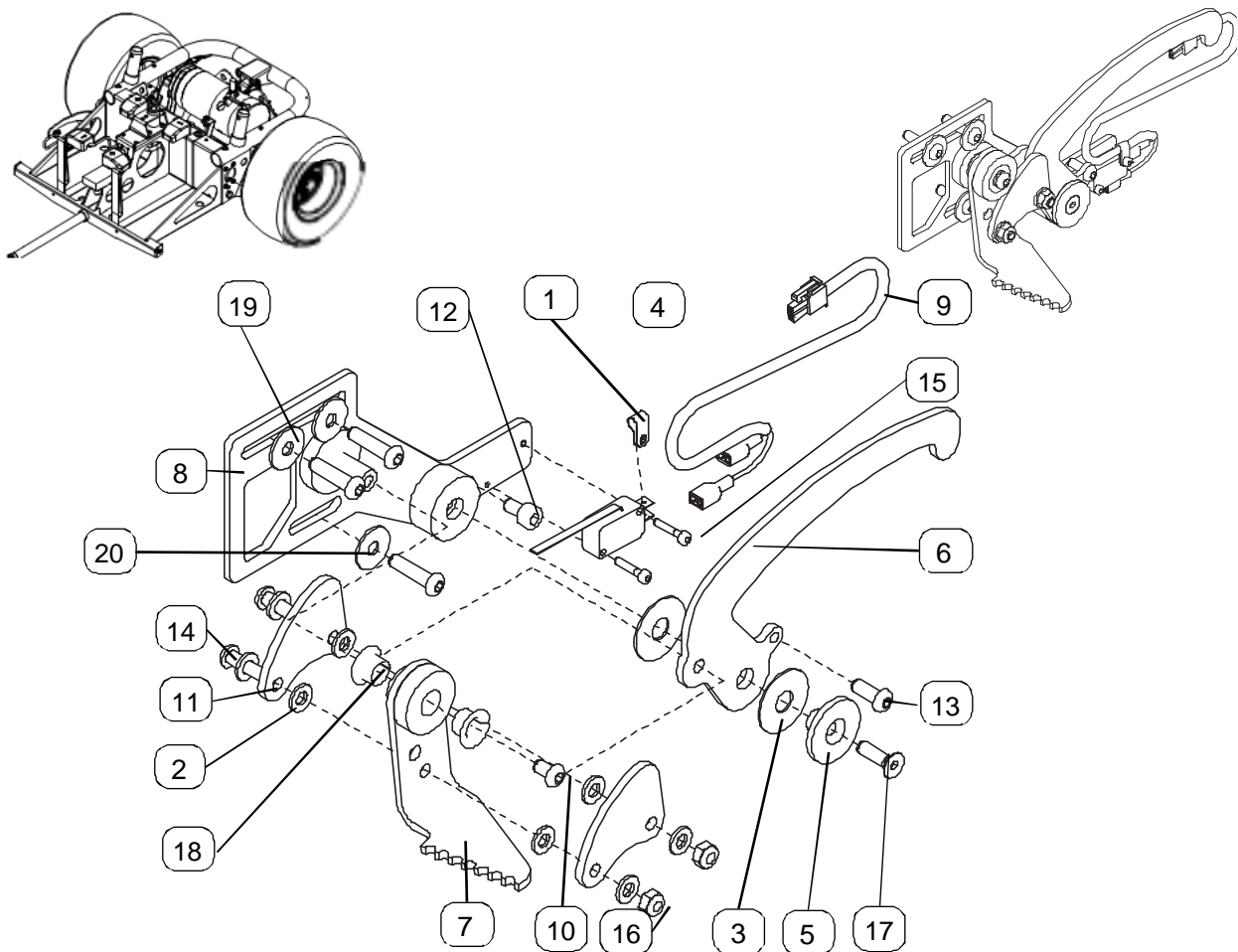
Pos	Ant/Qty	Art.No.	Beskrivelse	Description	Note
1-14	1	5327010	Hjuloppheng hø	Wheel suspension, RHS	S
1-14	1	5327011	Hjuloppheng ve	Wheel suspension, LHS	S
1	1	121824 5825	Mutterhette	Cap nut plastic M6	
2	2	5327136	Distanseskive	Distance washer	
3	2	121824 5743	Lager forstilling raptor	Ball bearing	
4	1	5327106	Spindelfeste	Spindle fastener	
5	1	5327105	Hjulspindel m/lagerhus	Wheel spindle w/bearing house	
6	1	5327108	Forhjulsnave m/kulelager	Front wheel hub w/bearings	
7	1	97298	Skive Ø12 DIN9021 Elz	Washer Ø12 DIN912 Elz	DIN9021
8	1	X970005	Låsemutter M12 Nylock Elz.	Lock nut M12 Nylock Elz.	DIN985
9	1	97371	Skrue M8x70 Elz.	Screw M8x70 Elz	DIN931
10	1	317-8	Mutter M8	Nut M8	
11	1	89020	UNB Skrue M8x20 Senk Elz.	Screw M8x20 countersunk Elz.	DIN7991
12	2	A120020	Underlagsskive M8 Elz.	Washer M8 Elz.	DIN125
13	3	A200012	Låsemutter M8 Nylock Elz.	Lock nut M8 Nylock Elz.	DIN985
14	1	A224004	UNB senk M8x25	Countersunk hex. Screw M8x25	

1.6 Understell, Fjæring bak



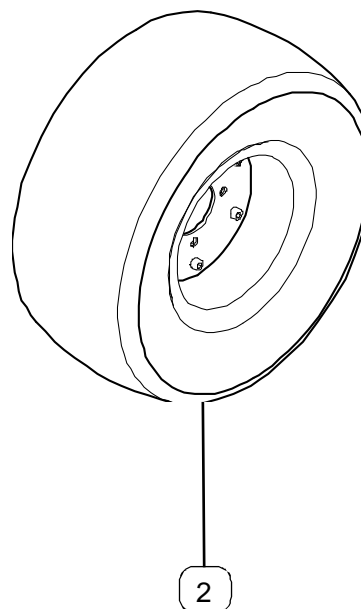
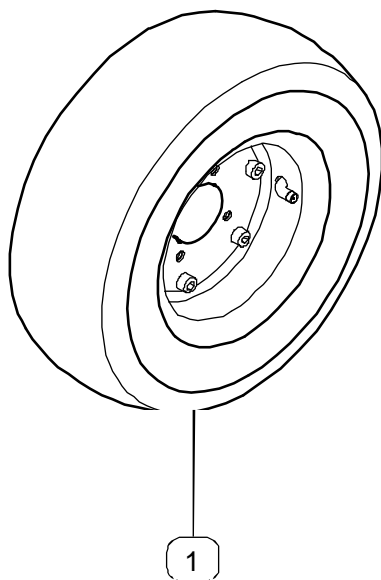
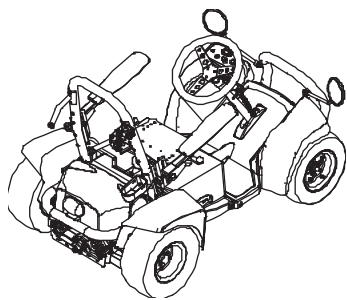
Pos	Ant/Qty	Art.No.	Beskrivelse	Description	Note
1-8	1	5327111	Fjæring bak, komplett	Spring suspension, complete	S
1	2	5327120	Demper Raptor	Shock absorber	S
2	2	5327151	Festebrakett fjæring	Fixation bracket, suspension	
3	1	5327113	Øvre arm fjæring bak Hø	Upper arm spring back, RHS	
4	1	5327114	Øvre arm fjæring bak Ve	Upper arm spring back, LHS	
5	2	5327157	Nedre arm, fjæring bak	Lower link, rear suspension	
6	2	5327159	Skive Ø16 ø8 T=5	Washer Ø16 ø8x5,5	
7	8	5327158	Skrue M8x50	Screw M8x50	
8	8	A200012	Låsemutter M8 Nylock Elz.	Lock nut M8 Nylock Elz.	DIN985

1.7 Understell, Parkbrems



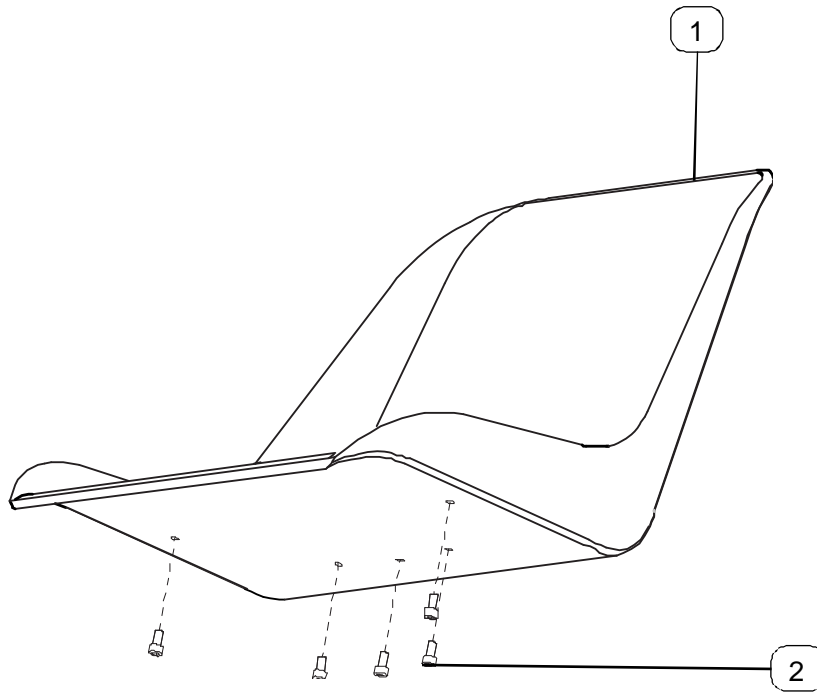
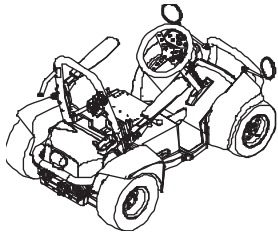
Pos	Ant/Qty	Art.No.	Beskrivelse	Description	Note
1-20	1	5328113	Parkbrems	Parking-brake	S
1	1	IKM0112	Klammer til kabel 3/16"	Clamp for cable 3/16"	
2	8	IKM0123	Plastskive M6x1,5	Plastic washer M6x1,5	
3	2	IKM0006	Plastskive D19xd10.3 T=1	Plastic washer D19xd10.3 T=1	
4	1	IKE0105	Mikrobryter bremseutløser	Micro switch, brake deployment	
5	1	5328187	Endestykke	End piece	
6	1	5328184	Bremsehåndtak	Brake handle	
7	1	5328115	Bremseklo, sveist	Brake grip	
8	1	5328114	Festeplate, bremsekonsoll,sveist	Brake console	
9	1	5323510	Kabel for parkbrems	Cable for parkbrake	
10	1	97168	UNB Skrue M6x10 Linse Elz	Socket screw M6x10 Lens Elz	ISO7380
11	2	5328183	Hengselplate	Hinge plate	
12	1	0836-10	UNB Skrue M6x10 Syl. Elz.	Socket screw M6x10 Cyl. Elz.	DIN912
13	1	97124	UNB Skrue M6x16 Linse Elz.	Socket screw M6x16 Lens Elz.	ISO7380
14	5	97158	UNB Skrue M6x25 Linse Elz.	Socket screw M6x25 Lens Elz.	ISO7380
15	1	5124408	UNB Skrue M3x16 Syl. Elz.	Socket screw M3x16 Cyl. Elz.	DIN912
16	2	A200006	Låsemutter M6 Nylock Elz.	Lock nut M6 Nylock Elz.	DIN985
17	1	CA230004	Senkskrue M6x20 Elz.	Countersunk screw M6x20 Elz.	DIN7991
18	2	5143557	Glycodurforing, 10090	Bushing ø10x9	
19	2		karroseriskive 6,4x20x1,25		
20	1		karroseriskive 6,4x25x1,25		

1.8 Understell, Hjul



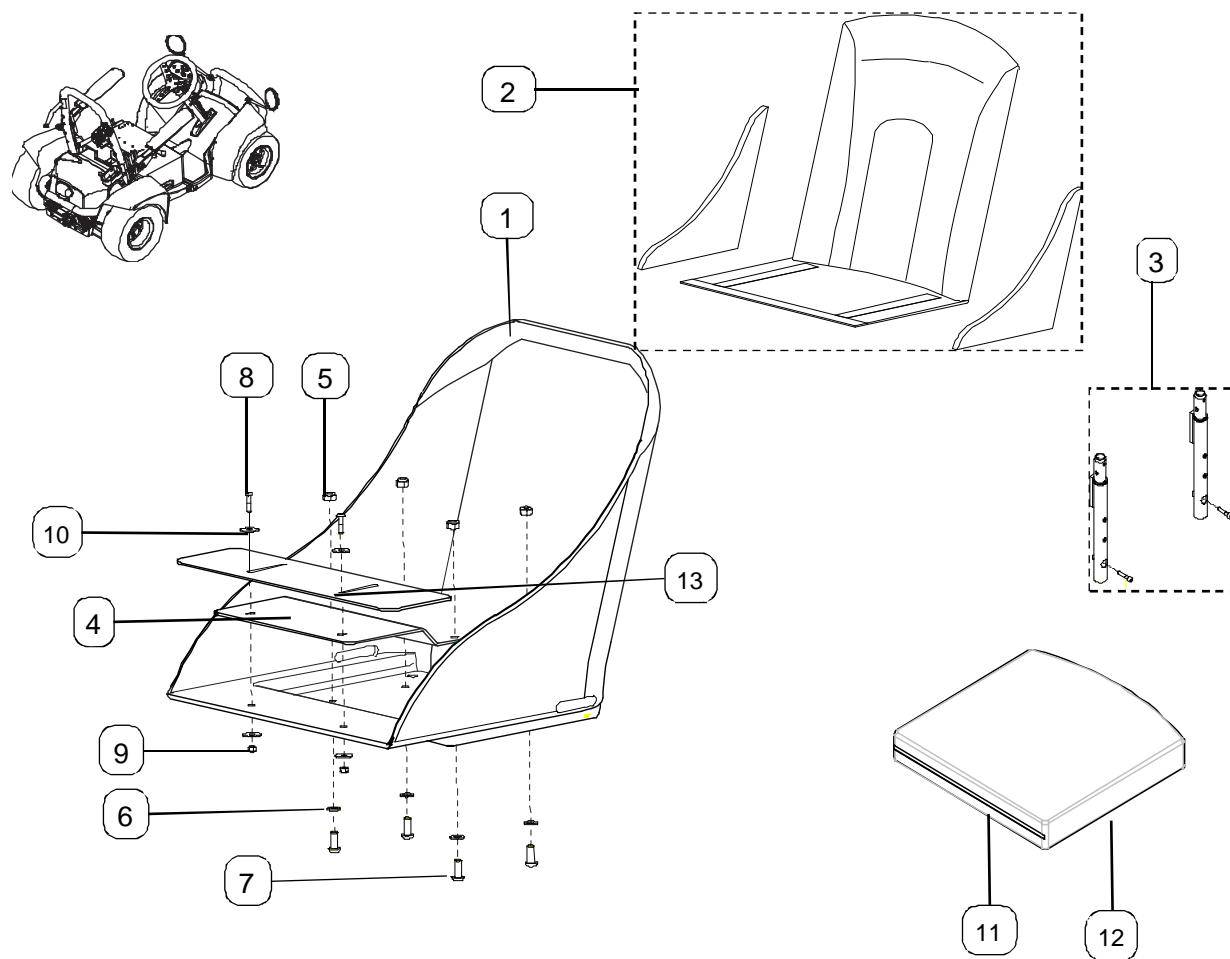
Pos	Ant/Qty	Art.No.	Beskrivelse	Description	Note
1	1	5327101	Framhjul komplett m/felg	Front wheel w/rim, complete	S
1	1	5327160	Framhjul kpl m/pigger	Front wheel w/rim and studs, complete	S
2	1	5327100	Bakhjul komplett m/felg	Rear Wheel w/rim complete	S
2	1	5327161	Bakhjul kpl m/pigger	Rear wheel w/rim and studs, complete	S

2.1 Sete, Standard



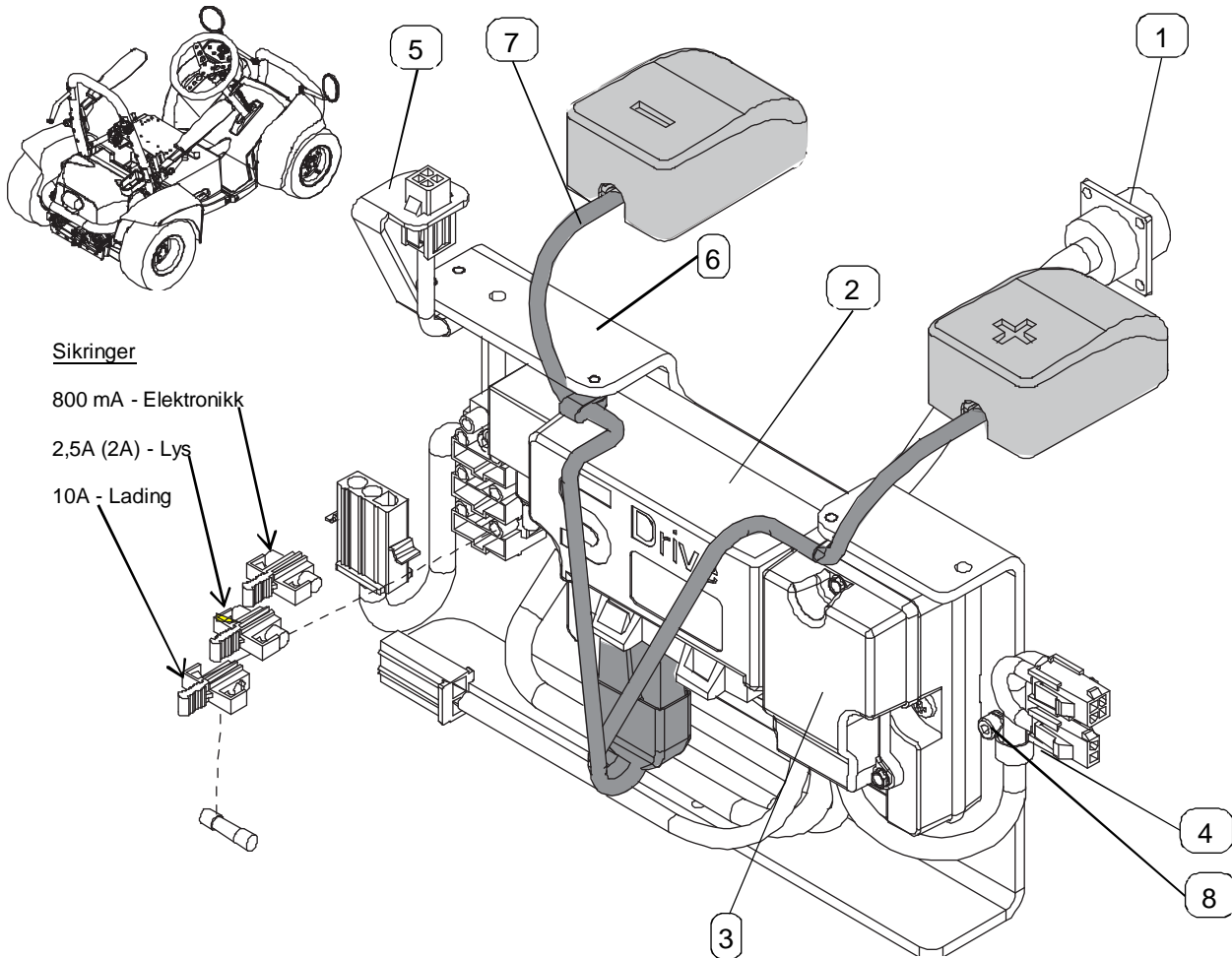
Pos	Ant/Qty	Art.No.	Beskrivelse	Description	Note
1-2	1	121824 5788	Sete m/trekk knert	Seat with cover	S
2	1	A400009	UNB skrue M5x10 syl	Screw M5x10 hex cyl	DIN912

2.2 Sete, Rally



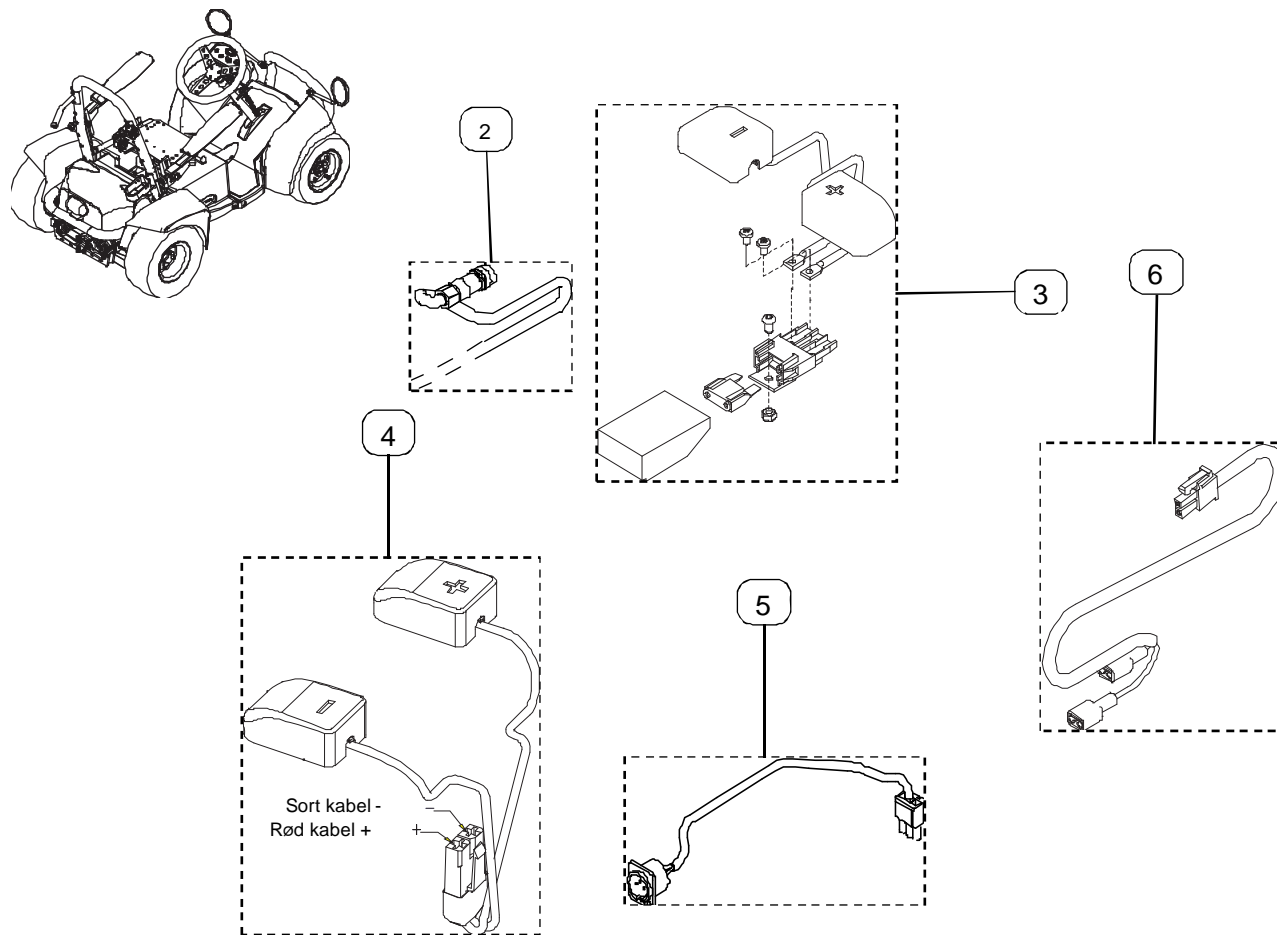
Pos	Ant/Qty	Art.No.	Beskrivelse	Description	Note
1-11	1	5322115	Sete stort Rally 1 Raptor	Seat Rally 1	S
1-10,12-15		5322116	Sete stort Rally 2 Raptor x-sd	Seat Rally 2 / extra seatdepth	S
1	1	5322215	Plastskall	Seat shell	
2	1	5322216	Tekstil	Textile	S
3	1	5329105	Forlenger for veltebøyle sett	Extention for roll over protection	S
4	1	5322222	Avstiver setebunn	Reinforcement seat	
5	4	A200012	Låsemutter M8 Nylock Elz.	Lock nut M8 Nylock Elz.	DIN985
6	4	A120020	Underlagsskive M8 Elz.	Washer M8 Elz.	DIN125
7	4	5146208	UNB Skrue M8x20 Linse Elz.	Socket screw M8x20 Lens Elz.	ISO7380
8	2	86967	Linseskruer M5X20	Screw Pan Head MFX20 Lens Elz.	S
9	2	97291	Låsemutter M5	Lock nut M5	DIN7991
10	4		karroseriskive 6,4x20x1,25		
11	1	5322205	Setepute Rally	Seat cushion Rally 1	S
12	1	5322210	Setepute lang	Seat cushion Rally 2	S
13	1	5322211	Plate seteforlenger	Plate for longer seat depth	

3.1 Elektronikk, Regulator



Pos	Ant/Qty	Art.No.	Beskrivelse	Description	Note
1-8	1	5323015	Regulator kpl S-Drive	Controller S-Drive	S
1 *	1	5323520	Kabelpakke S-Drive	Cables S-Drive	S
2	1	5323420	S-Drive elektronikk Raptor	S-Drive electronic	
3	1	5323424	S-Drive sealing kit	S-Drive sealing kit	
4	4	IKM0112	Klammer til kabel 3/16"	Clamp for cable 3/16"	
5	1	5323507	Programmeringsbrakett	Prgoramming bracket	
6	1	5323506	Festebakett, elektronikk	Bracket for fastening electronic	
7	1	5323023	Kabelpakke, batteri S-Drive		
8	4	97311	UNB Skrue M4x6 Syl. Elz.	Socket screw M4x6 Cyl. Elz.	DIN912
	*		Komplette kabler med unntak av pos 7	Complete cables except pos 7	

3.2 Elektronikk, Kabler



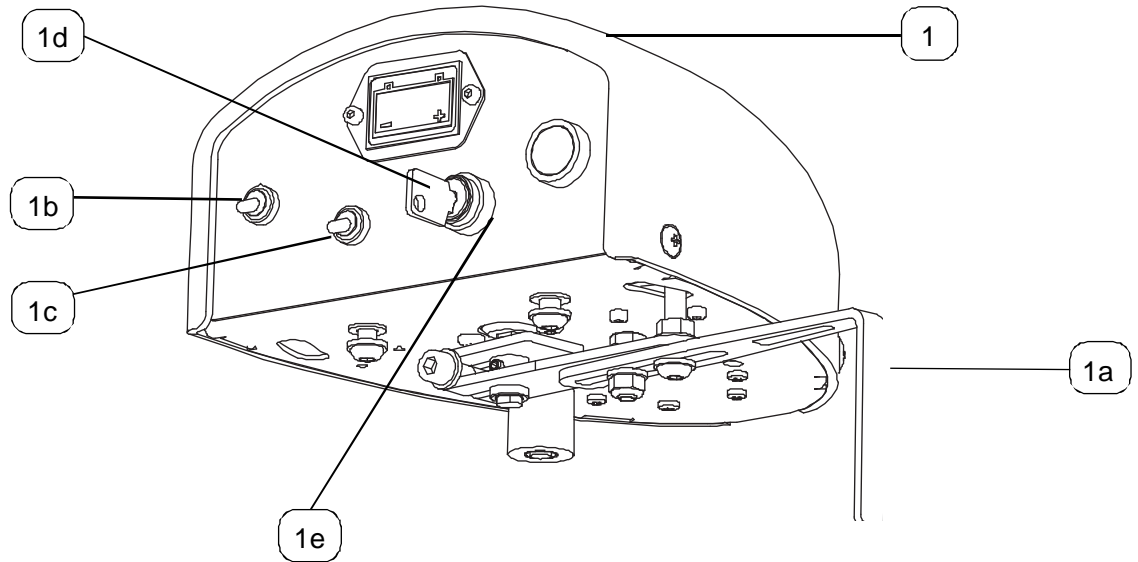
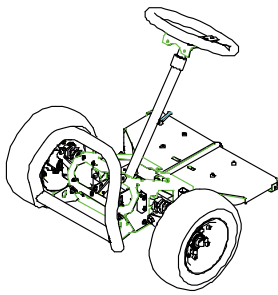
Pos	Ant/Qty	Art.No.	Beskrivelse	Description	Note
1-6	1	5323500	Kabelpakke, komplett		
1 *	1	5323520	Kabelpakke S-Drive	Cables S-Drive	S
2	1	5323502	Fremre kabel, styreboks/lys	Cable front for controller / light	S
3	1	5130500	Batterikable m/sikring,	Cable battery w/fuse	S
4	1	5323023	Kabelpakke, batteri S-Drive		
5	1	121824 5802	Ladekontakt m/kabel	Plug for charger with cable	
6	1	5323510	Kabel for parkbrems	Cable for parkbrake	

*

Ikke med på tegning

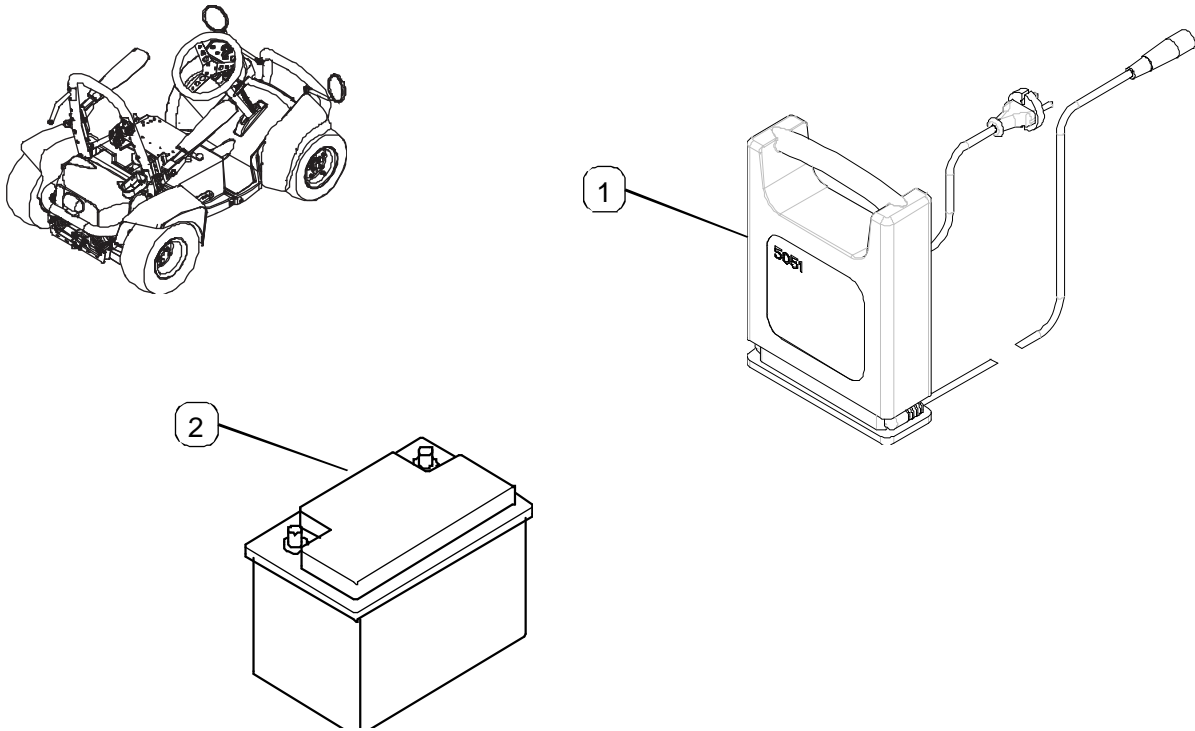
Not included in drawing

3.3 Elektronikk, Styreboks



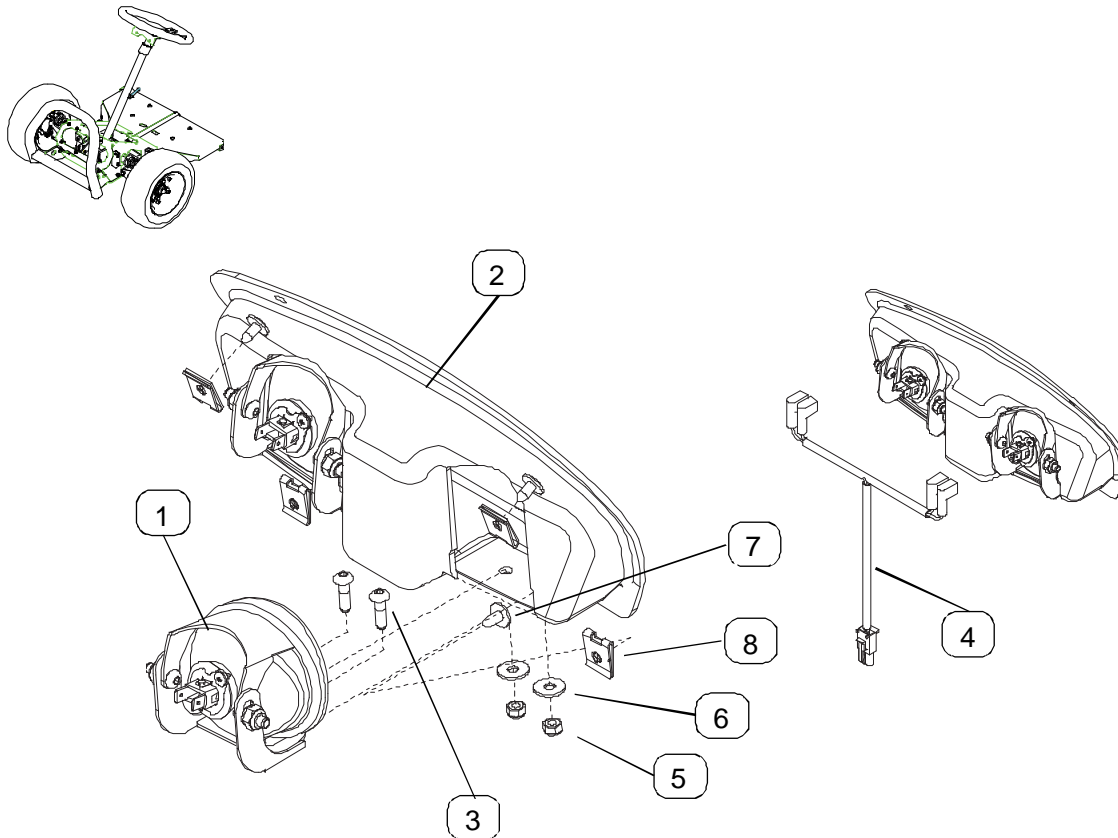
Pos	Ant/Qty	Art.No.	Beskrivelse	Description	Note
1	1	5323100	Styreboks komplett	Joystick complete	S
1a	1	5323130	Gass spak	Gas handle	S
1b	1	IKE1709	Vendebryter 2-polet	Twist Switch 2	S
1c	1	IKE1704	Vendebryter 1-polet	Twist Switch 1	S
1d	1	121824 5750	Nøkkel	Key	S
1e	1	121824 5749	Nøkkelbryter	Key Switch	S

3.4 Elektronikk, Lader-Batteri



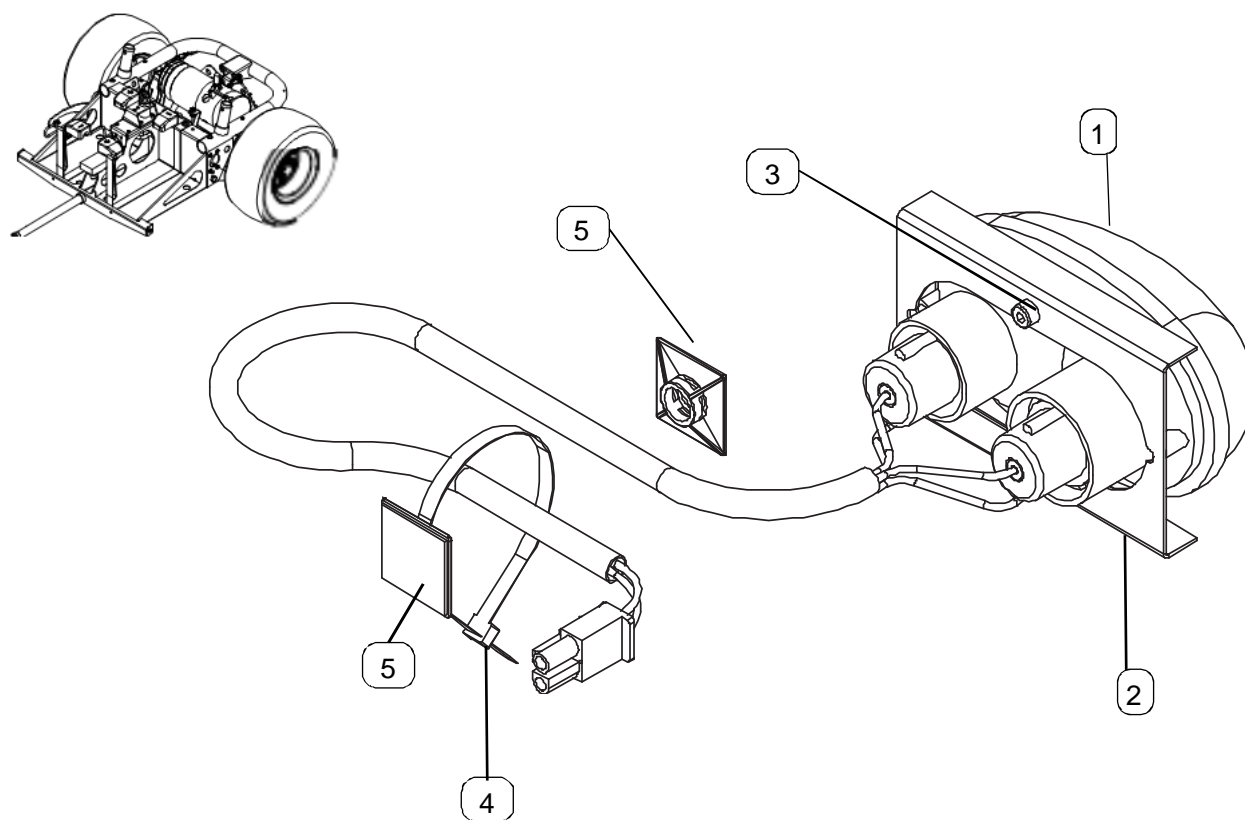
Pos	Ant/Qty	Art.No.	Beskrivelse	Description	Note
1	1	MCL5051	Lader m/laderplugg	Charger	S
2	1	NGA5120060HS0CA MNGA5120060HS0CA	Batteri Sonnenchein A512/60A Miljøavgift	Battery, Sonnenschein A512/60A Environmental fee	S

3.5 Elektronikk, Frontlykt



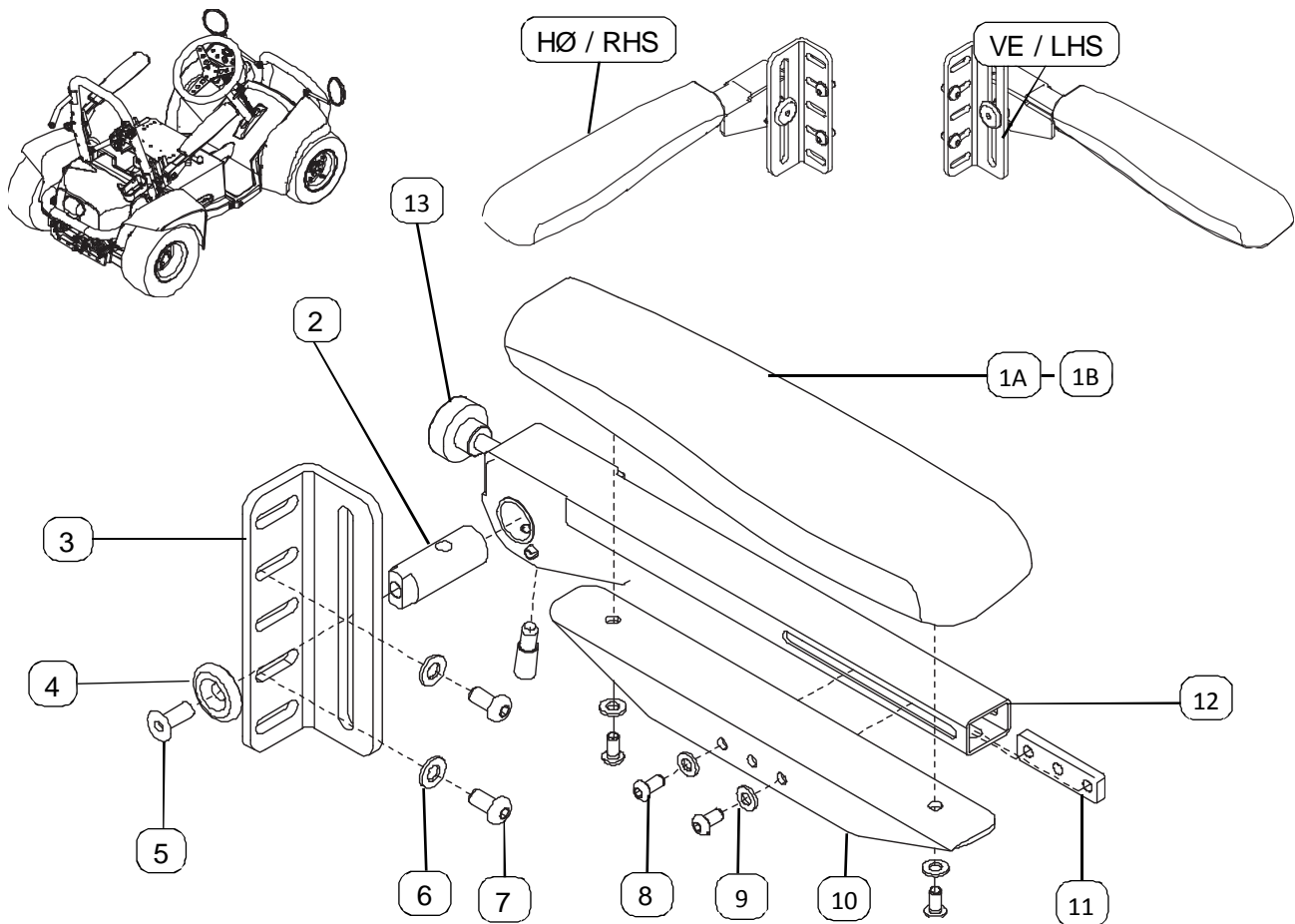
Pos	Ant/Qty	Art.No.	Beskrivelse	Description	Note
1-8	1	5321520	Lyktegrill kpl. m/kabel+festem	Front Light kpl with cables	S
1	2	5321525	Lykt kpl.	Light complete	
2	1	5321521	Lyktegrill	Grille for light front	
3	4	97373	Skrue M5x16	Screw M5x16	ISO7380
4	1	5321527	Kabel kpl.	Cable complete	
5	4	97291	Låsemutter M5	Lock nut M5	DIN7991
6	4	A340005	Underlagsskive M6 Elz.	Washer M6 Elz.	DIN9021
7	4	97376	Pl.skrue m/flens 4,8x13 elz.	Screw 4,8x13	
8	4		Klips		

3.6 Elektronikk, Baklykt



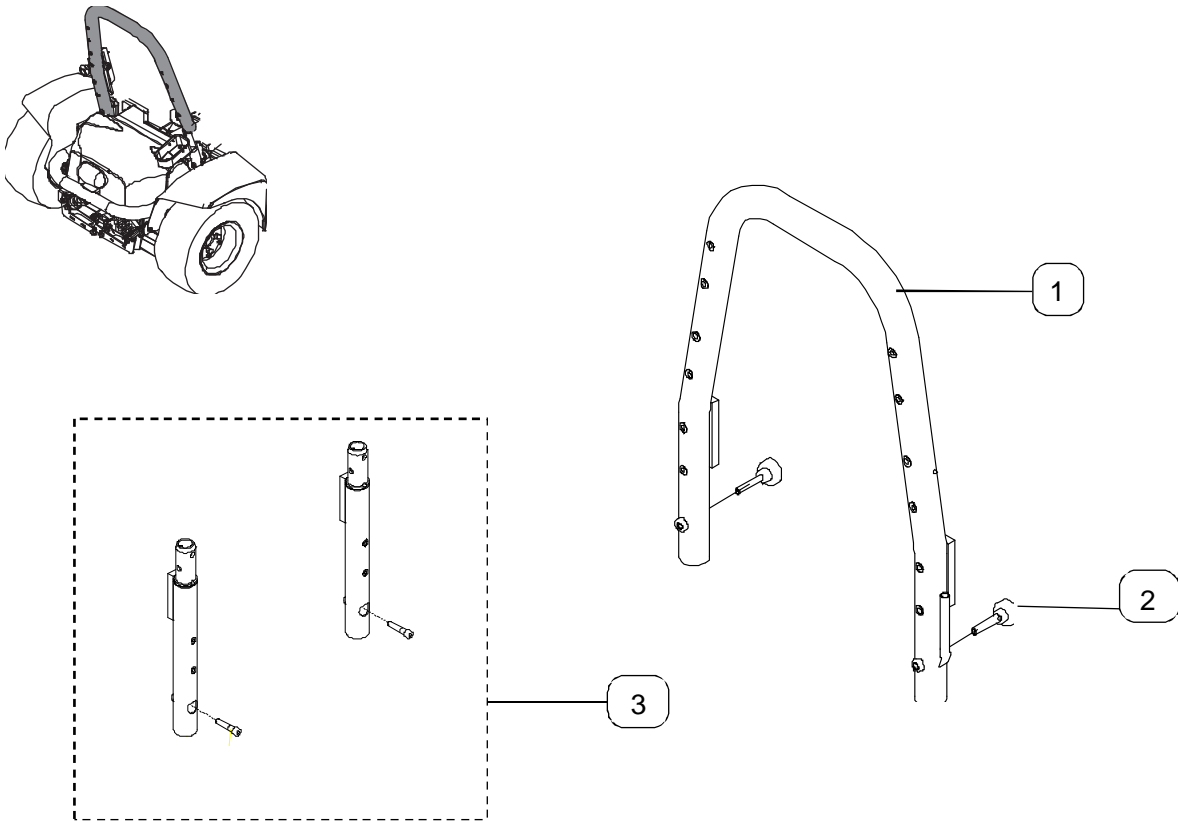
Pos	Ant/Qty	Art.No.	Beskrivelse	Description	Note
1-20	1	5323101	Baklykt kpl.	Rear light complete	S
1	1	5323106	Baklykt innkl kabler	Rear light with cables	S
2	1	5323107	Feste for baklykt	Bracket for rear light	
3	2	97189	UNB Skrue M4x10 Syl. Elz.	Socket screw M4x10 Cyl. Elz.	DIN912
4	1	97116	Strips 4,8x186 sort	Strip 4,8x186 black	
5	2	IKM0120	Stripsholder med limpute	Holder for strips	

4.1 Armlene



Pos	Ant/Qty	Art.No.	Beskrivelse	Description	Note
1A,2-12	1	5322300	Armlene kpl. Hø	Armrest complete RHS	S
1B,2-12	1	5322301	Armlene kpl. Ve	Armrest complete LHS	S
1A	1	9004059	Armlenepad Hø	Armrest pad RHS	
1B	1	9004060	Armlenepad Ve	Armrest pad LHS	
2	1	5322257	Armleneaksel	Bolt armrest	
3	1	5322310	Vinkelbrakett H=V	Hinge bracket for armrest RHS=LHS	
4	1	5322259	Skive, armlene	Washer	
5	1	89020	UNB Skrue M8x20 Senk Elz.	Screw M8x20 countersunk Elz.	DIN7991
6	2	A120020	Underlagsskive M8 Elz.	Washer M8 Elz.	DIN125
7	2	97156	UNB Skrue M8x16 Linse Elz.	Socket screw M8x16 Lens ELZ	ISO7380
8	4	97180	UNB Skrue M6x12 Linse Elz.	Socket screw M6x12 Lens Elz.	ISO7380
9	4	A230006	Underlagsskive Ø6 Elz.	Washer Ø6 Elz.	DIN125
10	1	5322260	Festvinkel for armlenepad	Bracket for armrest	
11	1	5322258	Mutterplate innv. armlenest.	Fastening plate	
12	1	5322252	Armlenestamme kpl	Fixation for Armrest Pad, complete	
13	1	97377	Låseratt M8x25	Lock wheel M8x25	

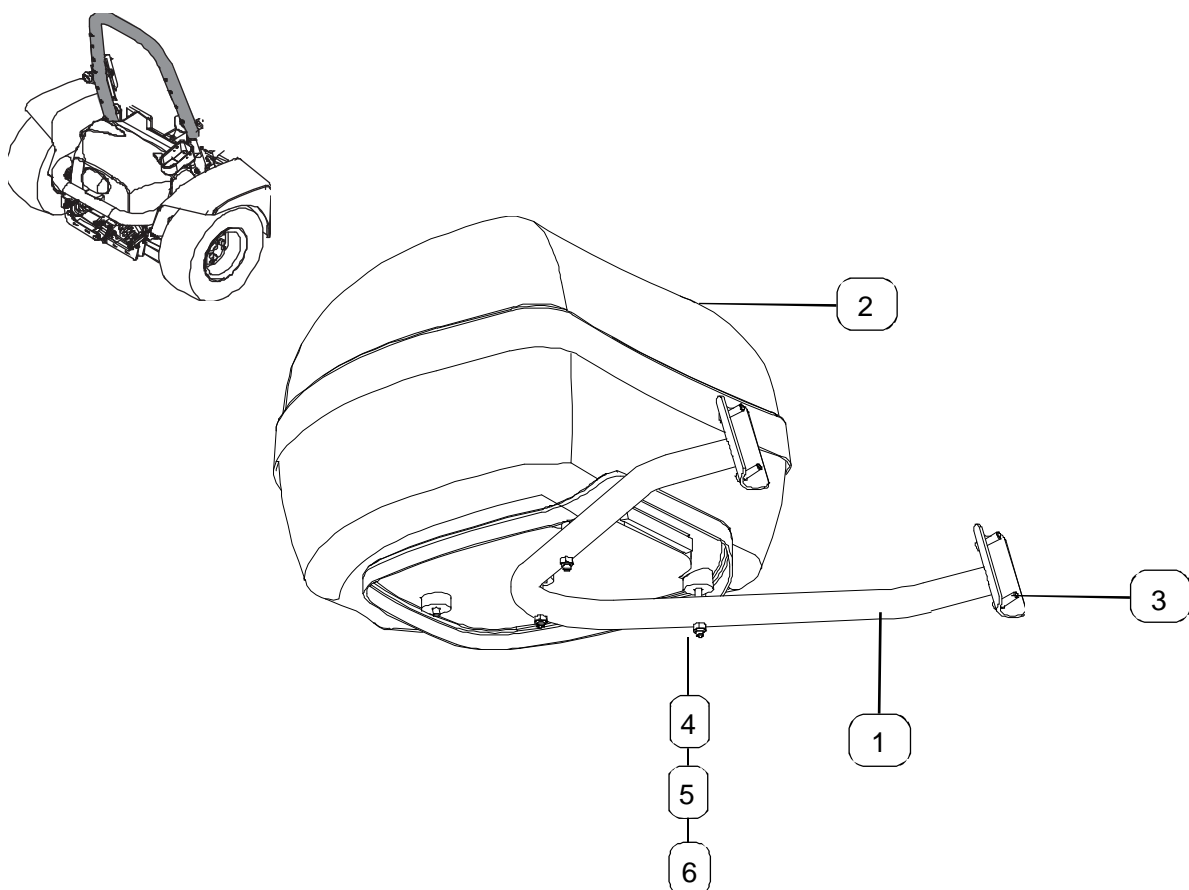
5.1 Veltebøyle



Pos	Ant/Qty	Art.No.	Beskrivelse	Description	Note
1-2	1	5329100	Veltebøyle komplett	Roll-over Protection complete	S
1	1	5329115	Veltebøyle sveist	Roll-over Protection	
2	2	PKM0052	Justerratt M8 x 40 Ø40	Adjustment wheel M8 x 40 Ø40	S
3	1*	5329105	Forlenger for veltebøyle sett	Extention for roll over protection	S

* Benyttes ved alternativt sete Used when another seat than standard

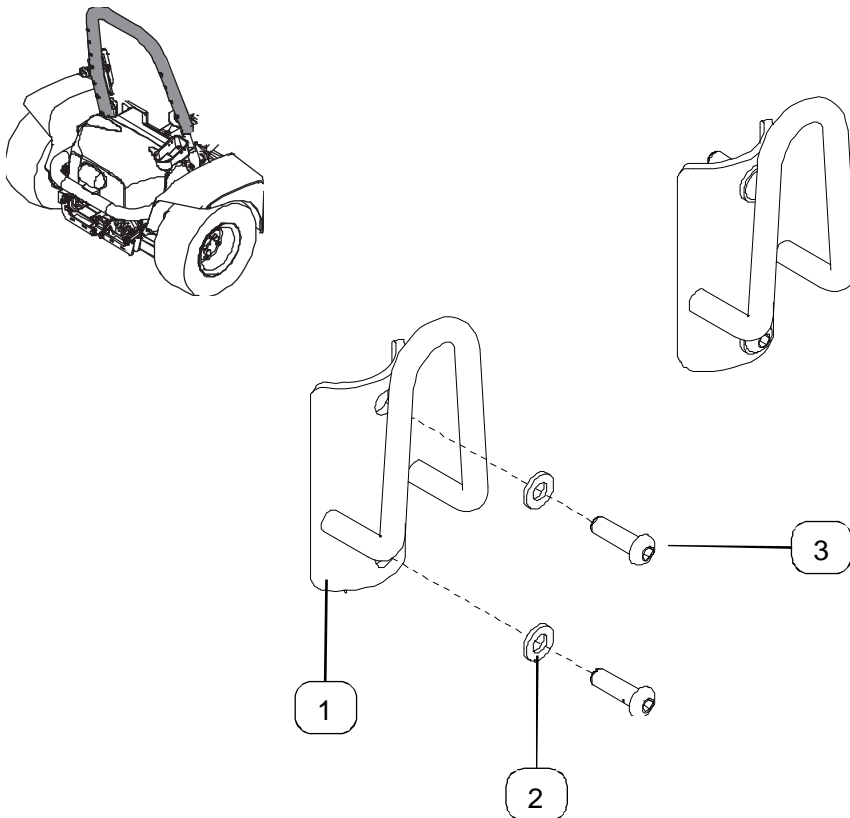
5.2 Bagasjeboks



Pos	Ant/Qty	Art.No.	Beskrivelse	Description	Note
1-6	1 *	5329260	Transportboks kpl.	Bagage box complete	S
1	1	5329261	Festebøyle for boks, sveist	Bracket for box	
2	1	5329263	Transportboks	Bagage box	
3	4	97125	Linseskruer M6x20 Elz	Screw Pan Head M6X20 Elz	ISO7380
4	3	97221	UNB Skruer M6x45 Linse Elz.	Socket screw M6x45 Lens Elz.	ISO7380
5	3	A200006	Låsemutter M6 Nylock Elz.	Lock nut M6 Nylock Elz.	DIN985
6	1	A340005	Underlagsskive M6 Elz.	Washer M6 Elz.	DIN9021

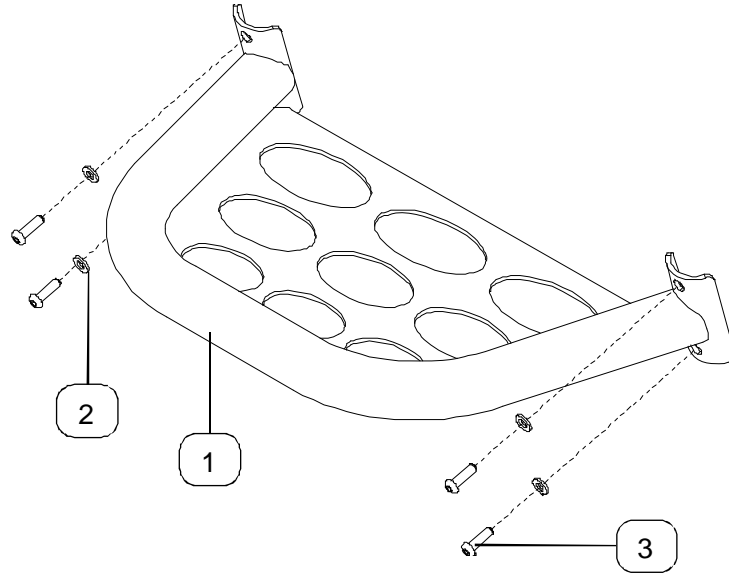
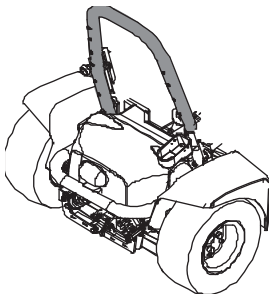
* Kan ikke benyttes i kombinasjon med bagasjebrett
Can not be used in combination with Bagage rack

5.3 Ryggsekkfeste



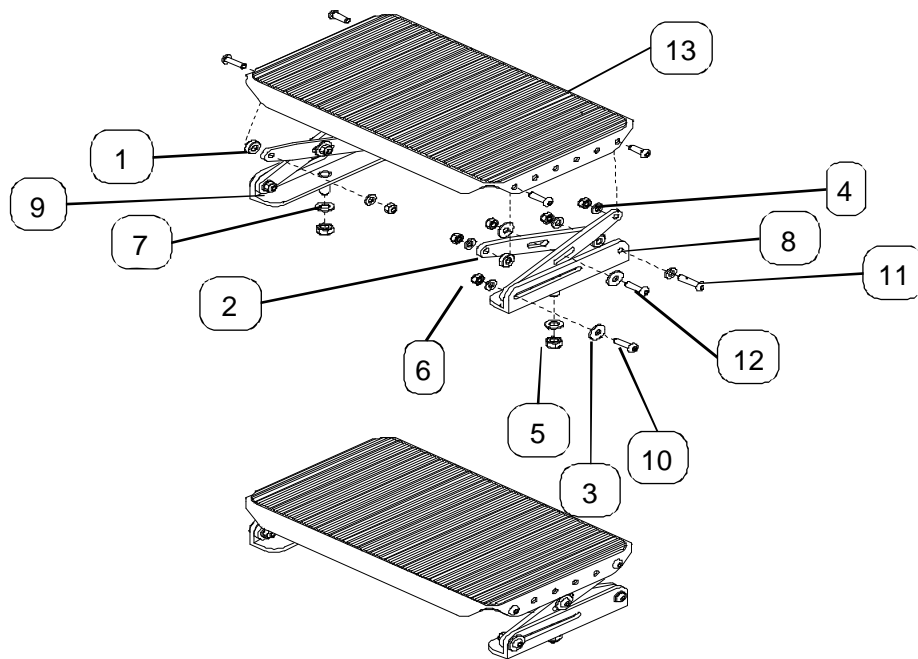
Pos	Ant/Qty	Art.No.	Beskrivelse	Description	Note
1-3	1	5329200	Ryggsekkfeste komplett sett	Ruck-sack hanger/fix. Kit complete	S
1	2	5329202	Ryggsekkfeste sveist		
2	4	A230006	Underlagsskive Ø6 Elz.	Washer Ø6 Elz.	DIN125
3	4	97125	Linseskruer M6x20 Elz	Screw Pan Head M6X20 Elz	ISO7380

5.4 Bagasjebrett



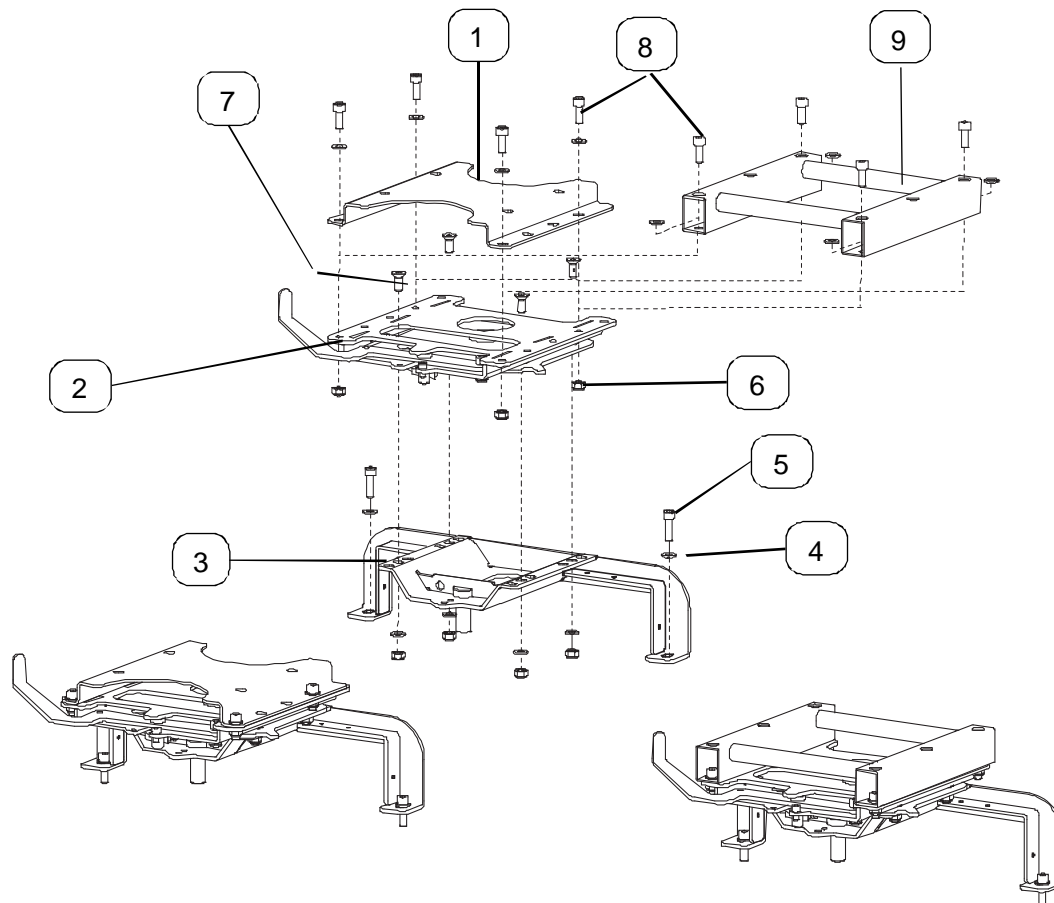
Pos	Ant/Qty	Art.No.	Beskrivelse	Description	Note
1-3	1	5321300	Bagasjebrett kompl.	Baggage rack, complete	S
1	1	5321301	Bagasjebrett	Baggage rack	
2	4	A230006	Underlagsskive Ø6 Elz.	Washer Ø6 Elz.	DIN125
3	4	97125	Linseskruer M6x20 Elz	Screw Pan Head M6X20 Elz	ISO7380

5.5 Fotbrett



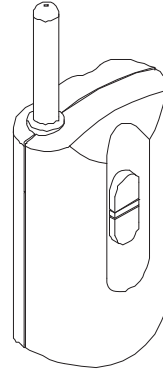
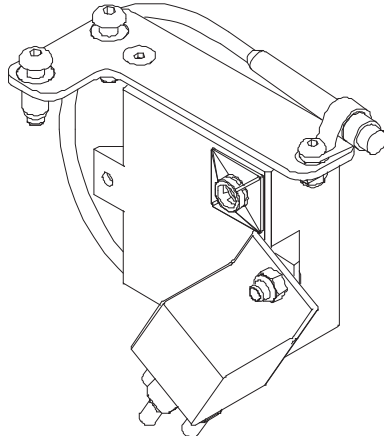
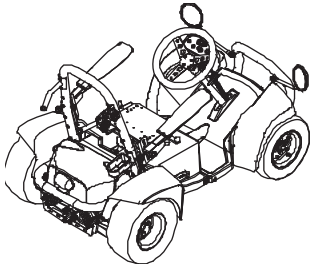
Pos	Ant/Qty	Art.No.	Beskrivelse	Description	Note
1-3	1	5322400	Fotstøtte høydejust. bred Rapt	Footrest height adj. Complete	S
1	4	5322408	Avstandshylse	Distance sleeve	
2	4	5322405	Justeringsstag	Bracket for adjustment	
3	6	A340005	Underlagsskive M6 Elz.	Washer M6 Elz.	DIN9021
4	10	A230006	Underlagsskive Ø6 Elz.	Washer Ø6 Elz.	DIN125
5	2	A200012	Låsemutter M8 Nylock Elz.	Lock nut M8 Nylock Elz.	DIN985
6	10	A200006	Låsemutter M6 Nylock Elz.	Lock nut M6 Nylock Elz.	DIN985
7	2	A120020	Underlagsskive M8 Elz.	Washer M8 Elz.	DIN125
8	1	5322403	Festevinkel m/bolt Ve	Fastening bracket LHS	
9	1	5322404	Festevinkel m/bolt Hø	Fastening bracket RHS	
10	2	97158	UNB Skrue M6x25 Linse Elz.	Socket screw M6x25 Lens Elz.	ISO7380
11	6	97125	Linseskruer M6x20 Elz	Screw Pan Head M6X20 Elz	ISO7380
12	2	97124	UNB Skrue M6x16 Linse Elz.	Socket screw M6x16 Lens Elz.	ISO7380
13	1	3153112	Fotplate SR KID SB33	Footplate SW33	

5.6 Setebraketter



Pos	Ant/Qty	Art.No.	Beskrivelse	Description	Note
1-8		5322303	Setesving, tunge brukere	Seat swing out for heavy users	S
2-9		5322910	Monteringssett Mygosete Raptor	Seat bracekt for Mygo seating	S
1	1	5322220	Brakett for setehøyde	Bracket for seat height	
2	1	5322155	Setesving Raptor komplett	Seat swing	S
3	1	5322255	Seteramme	Seat frame	
4	10	A120020	Underlagsskive M8 Elz.	Washer M8 Elz.	DIN125
5	2	A242105	UNB Skrue M8x25 Syl. Elz.	Socket screw M8x25 Cyl. Elz.	DIN912
6	8	A200012	Låsemutter M8 Nylock Elz.	Lock nut M8 Nylock Elz.	DIN985
7	4	89020	UNB Skrue M8x20 Senk Elz.	Screw M8x20 countersunk Elz.	DIN7991
8	4	97319	UNB Skrue M8x20 Syl. Elz.	Socket screw M8x20 Cyl. Elz.	DIN912
9	1	5322903	Festeramme Mygo sete		

5.7 Fjernstyrt stopp



Pos	Ant/Qty	Art.No.	Beskrivelse	Description	Note
1	1	5323900	Fjernstyrt stopp Raptor	Remote emergency stop Raptor	S

5.8 Tilbehør

Pos	Ant/Qty	Art.No.	Beskrivelse	Description	Note
*		121824 5717	Belte 4-punkts	Safety belt 4-point	S
*		121824 5713	Belte 2-punkts	Safety belt 2-point	S
		121824 5806	Festebrakett belte	Bracket, Safety belt	S
		52847	Hoftebelte, liten type	Positioning-belt, small type	S
		121824 5714	Regntrekk til sete knert	Cover, Rain, seat	
		5329180	Regntett overtrekk Raptor	Cover Raptor, rainproof	S
		5329190	Regntrekk overtrekk Raptor Rally	Cover Raptor Rally, rainproof	S
		5329150	Vimpel Raptor	Pennant Raptor	S
		5329591	SP 1b Programmerer S-Drive	SP 1b Programmer S-Drive	S
		5329595	PC programmerer kabel scooter	PC programmer cable scooter	S
*			Forutsetter festebrakett	Bracket - necessary	

NO
Sunrise Medical AS
Dynamitveien 14B
1400 SKI
Norway
T: +47 66963800
E: post@sunrisemedical.no
www.SunriseMedical.no



NO
Sunrise Medical AS
Smestadveien 29
2619 Lillehammer
Norway
T: +47 66963800
E: post@sunrisemedical.no
www.SunriseMedical.no



PM_Raptor_NO_NO_Rev.10_2011