

M6

The ideal solution for
bariatric clients of up to
295 kg and a seat width
up to 75 cm





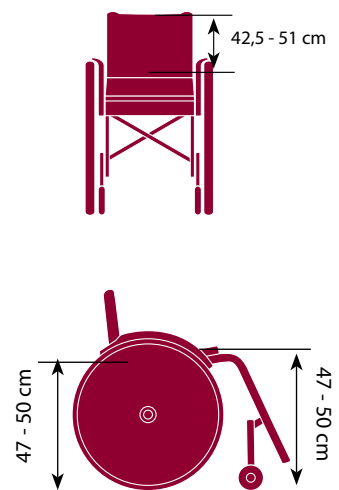
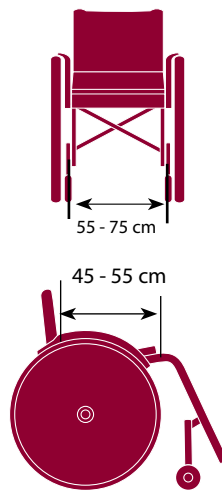
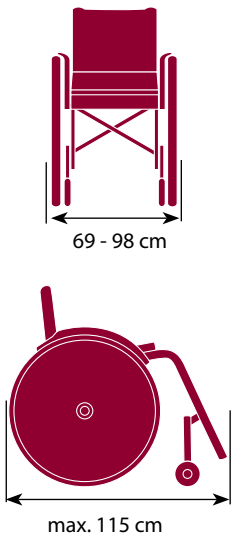
Back height adjustable



Stabiliser bar to enhance the back



Center of gravity



Technical data sheet

Frame colour	4	Camber	0°
Upholstery colour	black	Frame Angle	60° swing in and out
Max user weight	295 kg		
Product weight	max. 24 kg		