

JAY[®]

JAY CUSHIONS AND BACKS PARTS MANUAL

OCTOBER 2012



improving people's lives

Sunrise Medical appreciates your business. For your ordering convenience, our Customer Service Representatives can be contacted at:

**To place orders:
(800)333-4000**

Quickie Technical Assistance:

You can reach our Technical Support Team by choosing prompt 1 followed by the # sign, then prompt 2 for Technical Support. Choose option 1 for Quickie Technical Support.

**For Assistance with a Web Order,
or to sign up for sunrisemedical.com
(800) 333-4000 Option 5**

**FOR YOUR CONVENIENCE YOU MAY PLACE ORDERS THROUGH
OUR WEBSITE OR BY FAX 24 HOURS A DAY:**

www.sunrisemedical.com

Fax: (800)300-7502

For easy reference please fill in your Customer Number and Sunrise Account Manager's name.

Customer Account Number _____
Ship to Account Number _____
Sunrise Account Manager _____

*Part prices and configurations or specifications of products included in this Parts Manual are subject to change without prior notice.

JAY CUSHIONS & BACKS	5
JAY BACKS	5
JAY BASIC BACK	5
JAY BASIC BACK CLAMP STYLE	5
JAY BASIC BACK STRAP STYLE	6
JAY BASIC BACK Discontinued	7
JAY GO BACK	9
JAY CARE BACK	10
JAY FOCUS POINT BACK	11
JAY J2 BACK	12
JAY J2 PLUS	12
JAY J2 PLUS BACK COVER	13
JAY J2 PLUS BACK PLATE ASSM	14
HEADREST	16
JAY J2 PLUS BACK SIDE PLATE	17
JAY J2 PLUS BACK SWING-AWAY LATERALS	18
JAY J2 PLUS BACK FIXED LATERALS	19
JAY J2 BACK	20
JAY J2 DEEP CONTOUR BACK	23
JAY J2 & J2 DEEP CONTOUR MOUNTING HARDWARE GUIDE	25
JAY J2 & J2 DEEP CONTOUR MOUNTING HARDWARE CHART	27
HEADREST	28
UNIVERSAL HEADREST MOUNTING KIT	29
JAY J3 BACK	29
LOWER THORACIC BACKS	29
J3 LOWER THORACIC POSTERIOR BACK	30
J3 LOWER THORACIC POSTERIOR DEEP CONTOUR BACK	32
MID THORACIC BACKS	32
J3 MID THORACIC POSTERIOR BACK	33
J3 HD MID THORACIC POSTERIOR BACK	35
J3 MID THORACIC POSTERIOR SHALLOW LATERAL BACK	37
J3 MID THORACIC POSTERIOR DEEP CONTOUR BACK	39
UPPER THORACIC BACKS	39
J3 UPPER THORACIC POSTERIOR BACK	40
J3 HD UPPER THORACIC POSTERIOR BACK	42
J3 UPPER THORACIC POSTERIOR SHALLOW LATERAL BACK	43
J3 UPPER THORACIC POSTERIOR DEEP LATERAL BACK	45
J3 UPPER THORACIC POSTERIOR DEEP CONTOUR BACK	47
SHOULDER HEIGHT BACKS	47
J3 SHOULDER HEIGHT POSTERIOR BACK	48
J3 SHOULDER HEIGHT POSTERIOR SHALLOW LATERAL BACK	50
J3 SHOULDER HEIGHT POSTERIOR DEEP LATERAL BACK	52
J3 HD SHOULDER HEIGHT THORACIC POSTERIOR BACK	54
J3 SHOULDER HT THORACIC POSTERIOR DEEP CONTOUR BACK	55
MOUNTING HARDWARE	55
J3 BACK HARDWARE	56
J3 4 POINT BACK HARDWARE	58
J3 BACK LITE MOUNT HARDWARE	59
LATERALS	59
J3 NEW SA LATERAL	60
J3 SWING-AWAY LATERAL	61
J3 FIXED LATERAL	62
VANITY FLAP	63
J3 HEADREST MOUNTS	64
J3 HARNESS ASSEMBLIES	65
J3 POSITIONING COMPONENTS	66
J3 TOOLS	67
JAY J3 BACK SPINE ALIGN KIT	68
JAY MODULAR BACK	68
JAY MODULAR BACK (DEFORMITY)	69
JAY MODULAR BACK (NON-DEFORMITY)	71
JAY MODULAR BACK BOX	73
JAY PRECISION BACK	73
JAY PRECISION BACKREST	74
FOLDING STABILIZER BAR	77
JAY ZIP BACK	78
JAY ZIP BACK	79
JAY ZIP BACK HARDWARE	81
JAY ZIP SWING AWAY LATERALS	82
JAY ZIP FIXED LATERALS	83

JAY ZIP BACK POSITIONING COMPONENTS	84
JAY ZIP BACK HARNESS ASSEMBLIES	85
VANITY FLAP	86
JAY ZIP BACK HEADREST	87
JAY ZIP BACK TOOLS	88
>>>> DISCONTINUED JAY BACKS	88
JAY XTREME BACK	89
JAY ACTIVE BACK	91
JAY CUSHIONS	91
JAY ACTIVE CUSHION	92
JAY BASIC CUSHION	94
JAY CARE CUSHION	96
JAY COMBI & SOFT COMBI CUSHION	96
JAY COMBI & SOFT COMBI CUSHION	97
JAY SOFT COMBI POSITIONING CUSHION	99
JAY DUO CUSHION	101
JAY EASY CUSHION	103
JAY FUSION	104
JAY FUSION AIR	105
JAY FUSION FLUID	106
JAY GO CUSHION	107
JAY GS CUSHION	110
JAY ION	112
JAY J-GEL CUSHION	116
JAY J2 CUSHION	117
JAY J2 CUSHION	118
JAY J2 DEEP CONTOUR CUSHION	120
JAY J2 PLUS CUSHION	125
JAY J3 CUSHION	129
JAY J3 STANDARD CUSHION	130
JAY J3 POSITIONING CUSHION	134
JAY J3 CUSHION DEMO KIT	138
JAY J3 POSITIONING CUSHION DEMO KIT	139
JAY J3 STAMPED PART NUMBER CROSS REFERENCE	141
JAY LITE CUSHION	146
JAY UNION	148
JAY XTREME CUSHION	150
JAY XTREME CUSHION	151
JAY XTREME SKIN PROTECTION CUSHION	153
JAY ZIP	155
JAY CUSTOM DROPSEAT OPTION PARTS	158
>>>> DISCONTINUED JAY CUSHIONS	159
JAY CUSHION	160
JAY TRIAD CUSHION	161
JAY TRIAD CUSHION	162
JAY TRIAD P-SKIN & POSITIONING CUSHION	164
JAY ACCESSORIES	164
JAY J3 BACK SPINE ALIGN KIT	165
JAY J3 CUSHION DEMO KIT	166
JAY J3 POSITIONING CUSHION DEMO KIT	167
JAY CUSTOM DROPSEAT OPTION PARTS	169
JAY ADJUSTABLE SEAT	171
JAY CUSHION ACCESSORIES BOX	173
JAY GS CUSHION ACESORIES BOX	175
JAY PROTECTOR	176
PRESSURE MAPPING SYSTEM	177
JAY KEYCHAIN	179
JAY SPINAL FLUID PAD	180
back cover	180

JAY BASIC BACK CLAMP STYLE

[Rev. 09/2008]

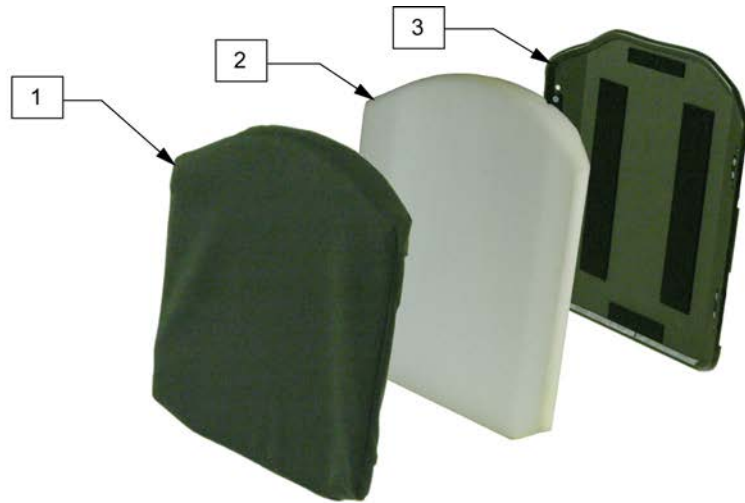
Effective August 25 2008

Pos.	Item Number	Description	Remarks
1	S3300FC	JBASIC BACK SHELL CLAMP,20x20	20x20
1	S3306FC	JBASIC BACK SHELL CLAMP,20x16	20x16
1	S3308FC	JBASIC BACK SHELL CLAMP,20x18	20x18
1	S3340FC	JBASIC BACK SHELL CLAMP,14x20	14x20
1	S3346FC	JBASIC BACK SHELL CLAMP,14x16	14x16
1	S3348FC	JBASIC BACK SHELL CLAMP,14x18	14x18
1	S3360FC	JBASIC BACK SHELL CLAMP,16x20	16x20
1	S3366FC	JBASIC BACK SHELL CLAMP,16x16	16x16
1	S3368FC	JBASIC BACK SHELL CLAMP,16x18	16x18
1	S3380FC	JBASIC BACK SHELL CLAMP,18x20	18x20
1	S3386FC	JBASIC BACK SHELL CLAMP,18x16	18x16
1	S3388FC	JBASIC BACK SHELL CLAMP,18x18	18x18
2	B3300	JBASIC BACK FOAM BASE,20x20	20x20
2	B3306	JBASIC BACK FOAM BASE,20x16	20x16
2	B3308	JBASIC BACK FOAM BASE,20x18	20x18
2	B3340	JBASIC BACK FOAM BASE,14x20	14x20
2	B3346	JBASIC BACK FOAM BASE,14x16	14x16
2	B3348	JBASIC BACK FOAM BASE,14x18	14x18
2	B3360	JBASIC BACK FOAM BASE,16x20	16x20
2	B3366	JBASIC BACK FOAM BASE,16x16	16x16
2	B3368	JBASIC BACK FOAM BASE,16x18	16x18
2	B3380	JBASIC BACK FOAM BASE,18x20	18x20
2	B3386	JBASIC BACK FOAM BASE,18x16	18x16
2	B3388	JBASIC BACK FOAM BASE,18x18	18x18
3	C3300FC	JBASIC BACK COVER,20x20	20x20
3	C3306FC	JBASIC BACK COVER,20x16	20x16
3	C3308FC	JBASIC BACK COVER,20x18	20x18
3	C3340FC	JBASIC BACK COVER,14x20	14x20
3	C3346FC	JBASIC BACK COVER,14x16	14x16
3	C3348FC	JBASIC BACK COVER,14x18	14x18
3	C3360FC	JBASIC BACK COVER,16x20	16x20
3	C3366FC	JBASIC BACK COVER,16x16	16x16
3	C3368FC	JBASIC BACK COVER,16x18	16x18
3	C3380FC	JBASIC BACK COVER,18x20	18x20
3	C3386FC	JBASIC BACK COVER,18x16	18x16
3	C3388FC	JBASIC BACK COVER,18x18	18x18
4	JBHDWUL	JBASIC UPPER CLAMP LEFT	COMPLETE UPPER LEFT CLAMP
4	JBHDWUR	JBASIC UPPER CLAMP RIGHT	COMPLETE LOWER RIGHT CLAMP
5	JBHDWL	JBASIC CLAMP HDW LOWER PIN	SINGLE PIN & BOLTS (EA)
6	JBHDWUB	JBASIC UPPER CLAMP BOLTS	ALL BOLTS, LEFT OR RIGHT
7	JBHDWIB	JBASIC LOWER CLAMP BOLTS	ALL BOLTS, LEFT OR RIGHT
4,5	JBHDWH	JBASIC CLAMP HARDWARE (PAIR)	COMPLETE CLAMP HDW, L & R

Effective August 25 2008

Pos.	Item Number	Description	Remarks
1	S3300FS	JBASIC BACK SHELL STRAP,20x20	20x20
1	S3306FS	JBASIC BACK SHELL STRAP,20x16	20x16
1	S3308FS	JBASIC BACK SHELL STRAP,20x18	20x18
1	S3340FS	JBASIC BACK SHELL STRAP,14x20	14x20
1	S3346FS	JBASIC BACK SHELL STRAP,14x16	14x16
1	S3348FS	JBASIC BACK SHELL STRAP,14x18	14x18
1	S3360FS	JBASIC BACK SHELL STRAP,16x20	16x20
1	S3366FS	JBASIC BACK SHELL STRAP,16x16	16x16
1	S3368FS	JBASIC BACK SHELL STRAP,16x18	16x18
1	S3380FS	JBASIC BACK SHELL STRAP,18x20	18x20
1	S3386FS	JBASIC BACK SHELL STRAP,18x16	18x16
1	S3388FS	JBASIC BACK SHELL STRAP,18x18	18x18
2	B3300	JBASIC BACK FOAM BASE,20x20	20x20
2	B3306	JBASIC BACK FOAM BASE,20x16	20x16
2	B3308	JBASIC BACK FOAM BASE,20x18	20x18
2	B3340	JBASIC BACK FOAM BASE,14x20	14x20
2	B3346	JBASIC BACK FOAM BASE,14x16	14x16
2	B3348	JBASIC BACK FOAM BASE,14x18	14x18
2	B3360	JBASIC BACK FOAM BASE,16x20	16x20
2	B3366	JBASIC BACK FOAM BASE,16x16	16x16
2	B3368	JBASIC BACK FOAM BASE,16x18	16x18
2	B3380	JBASIC BACK FOAM BASE,18x20	18x20
2	B3386	JBASIC BACK FOAM BASE,18x16	18x16
2	B3388	JBASIC BACK FOAM BASE,18x18	18x18
3	C3300FS	JBASIC BACK COVER,20x20	20x20
3	C3306FS	JBASIC BACK COVER,20x16	20x16
3	C3308FS	JBASIC BACK COVER,20x18	20x18
3	C3340FS	JBASIC BACK COVER,14x20	14x20
3	C3346FS	JBASIC BACK COVER,14x16	14x16
3	C3348FS	JBASIC BACK COVER,14x18	14x18
3	C3360FS	JBASIC BACK COVER,16x20	16x20
3	C3366FS	JBASIC BACK COVER,16x16	16x16
3	C3368FS	JBASIC BACK COVER,16x18	16x18
3	C3380FS	JBASIC BACK COVER,18x20	18x20
3	C3386FS	JBASIC BACK COVER,18x16	18x16
3	C3388FS	JBASIC BACK COVER,18x18	18x18
4	JBHDWSC	JBASIC BACK STRAP BUCKLE	

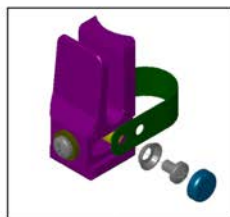
Parts only, discontinued August 25, 2008



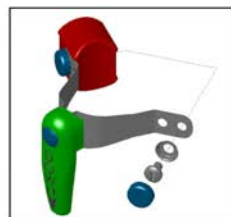
4



5



8



9



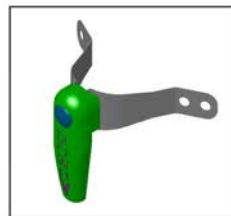
6



7



10



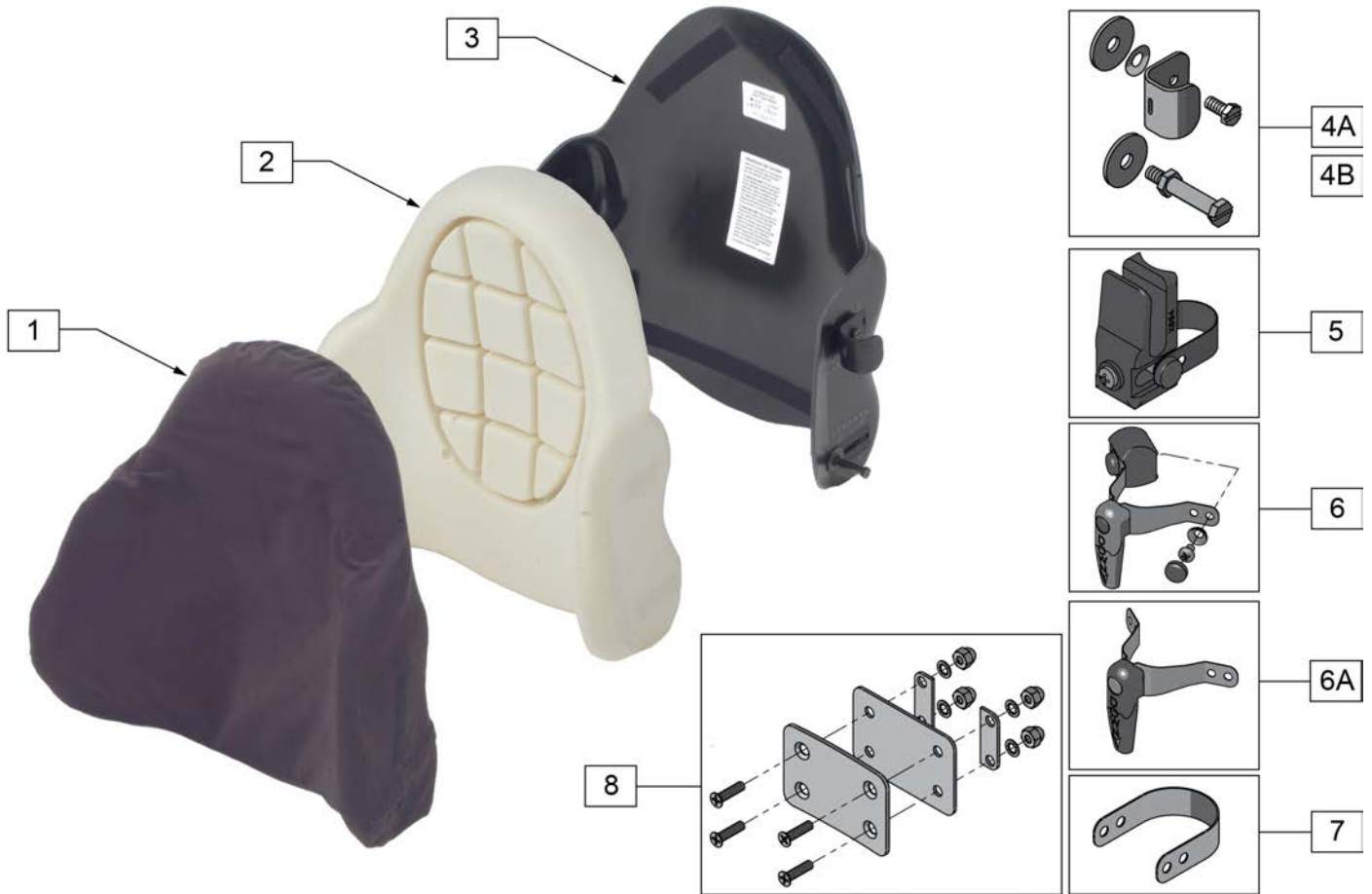
9A

Pos.	Item Number	Description	Pos.	Item Number	Description
1	C3346	COVER BASIC BACK 14 X 16	2	B3366	FOAM BASIC BACK 16 X 16
1	C3348	COVER BASIC BACK 14 X 18	2	B3368	FOAM BASIC BACK 16 X 18
1	C3340	COVER BASIC BACK 14 X 20	2	B3360	FOAM BASIC BACK 16 X 20
1	C3366	COVER BASIC BACK 16 X 16	2	B3386	FOAM BASIC BACK 18 X 16
1	C3368	COVER BASIC BACK 16 X 18	2	B3388	FOAM BASIC BACK 18 X 18
1	C3360	COVER BASIC BACK 16 X 20	2	B3380	FOAM BASIC BACK 18 X 20
1	C3386	COVER BASIC BACK 18 X 16	2	B3306	FOAM BASIC BACK 20 X 16
1	C3388	COVER BASIC BACK 18 X 18	2	B3308	FOAM BASIC BACK 20 X 18
1	C3380	COVER BASIC BACK 18 X 20	2	B3300	FOAM BASIC BACK 20 X 20
1	C3306	COVER BASIC BACK 20 X 16	3	S3346	BASIC BACK BACKSHELL 14 X 16
1	C3308	COVER BASIC BACK 20 X 18	3	S3348	BASIC BACK BACKSHELL 14 X 18
1	C3300	COVER BASIC BACK 20 X 20	3	S3340	BASIC BACK BACKSHELL 14 X 20
2	B3346	FOAM BASIC BACK 14 X 16	3	S3366	BASIC BACK BACKSHELL 16 X 16
2	B3348	FOAM BASIC BACK 14 X 18	3	S3368	BASIC BACK BACKSHELL 16 X 18
2	B3340	FOAM BASIC BACK 14 X 20	3	S3360	BASIC BACK BACKSHELL 16 X 20

Pos.	Item Number	Description	Pos.	Item Number	Description
3	S3386	BASIC BACK BACKSHELL 18 X 16	3	S3300	BASIC BACK BACKSHELL 20 X 20
3	S3388	BASIC BACK BACKSHELL 18 X 18	4, 5	100197	BASIC BACK MOUNT HARDWARE
3	S3380	BASIC BACK BACKSHELL 18 X 20	6, 7	M-250C	KIT CLAMP UNIVERSAL RETRO-FIT
3	S3306	BASIC BACK BACKSHELL 20 X 16	8, 9, 9A, 10	M-250S	KIT STRAP UNIVERSAL RETRO-FIT
3	S3308	BASIC BACK BACKSHELL 20 X 18			

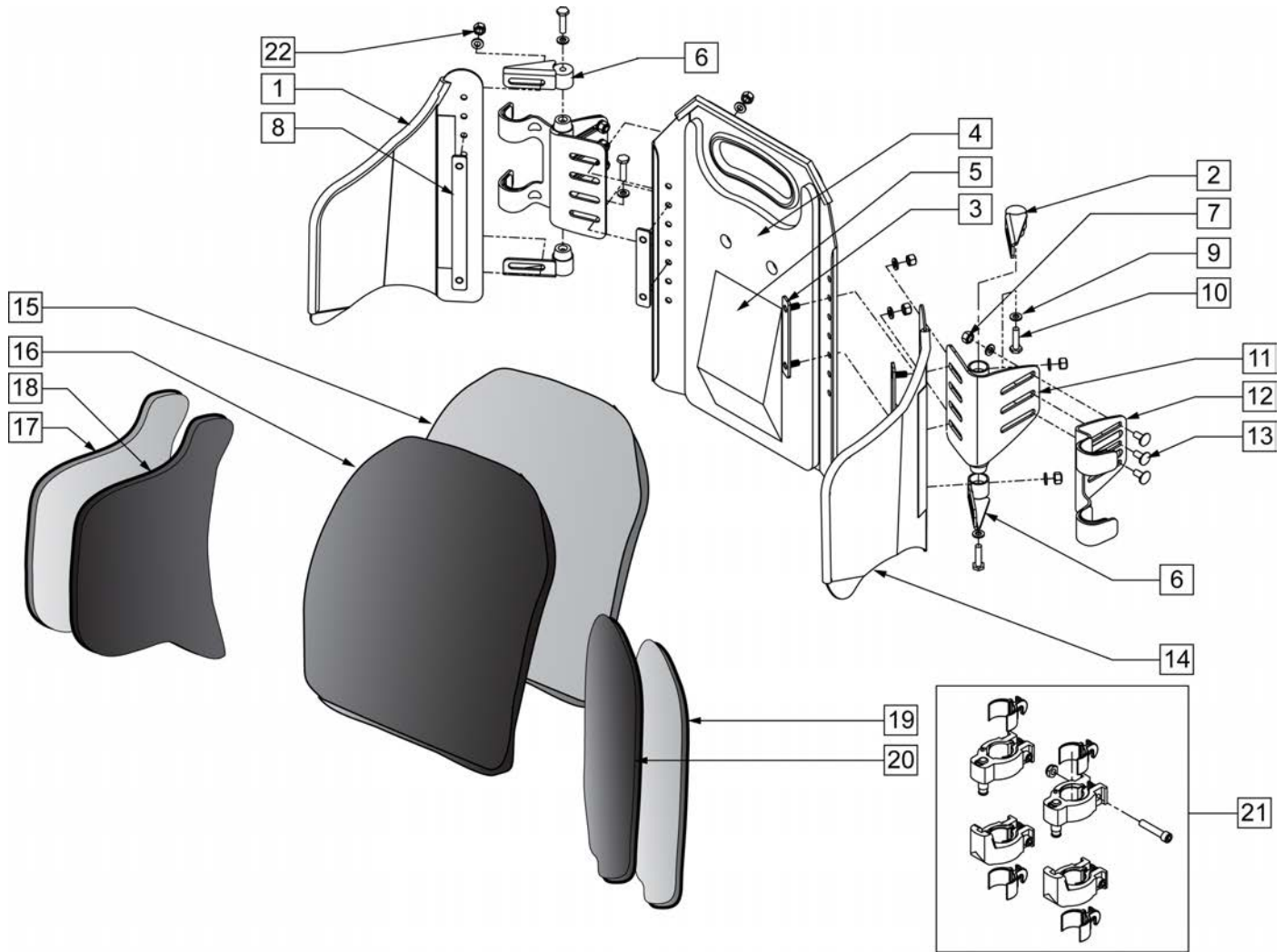


Pos.	Item Number	Description
1	SJGOB12S	JAY GO BCK 12W SHT STRAP ASM
1	SJGOB14S	JAY GO BCK 14W SHT STRAP ASM
1	SJGOB16S	JAY GO BCK 16W SHT STRAP ASM
1	SJGOB18S	JAY GO BCK 18W SHT STRAP ASM
1	SJGOB20S	JAY GO BCK 20W SHT STRAP ASM
1	SJGOB22S	JAY GO BCK 22W SHT STRAP ASM
1	SJGOB12T	JAY GO BCK 12W TAL STRAP ASM
1	SJGOB14T	JAY GO BCK 14W TAL STRAP ASM
1	SJGOB16T	JAY GO BCK 16W TAL STRAP ASM
1	SJGOB18T	JAY GO BCK 18W TAL STRAP ASM
1	SJGOB20T	JAY GO BCK 20W TAL STRAP ASM
1	SJGOB22T	JAY GO BCK 22W TAL STRAP ASM
2,3	CJGOB12S	JAY GO BACK 12W SHORT COVER
2,3	CJGOB14S	JAY GO BACK 14W SHORT COVER
2,3	CJGOB16S	JAY GO BACK 16W SHORT COVER
2,3	CJGOB18S	JAY GO BACK 18W SHORT COVER
2,3	CJGOB20S	JAY GO BACK 20W SHORT COVER
2,3	CJGOB22S	JAY GO BACK 22W SHORT COVER
2,3	CJGOB12T	JAY GO BACK 12W TALL COVER
2,3	CJGOB14T	JAY GO BACK 14W TALL COVER
2,3	CJGOB16T	JAY GO BACK 16W TALL COVER
2,3	CJGOB18T	JAY GO BACK 18W TALL COVER
2,3	CJGOB20T	JAY GO BACK 20W TALL COVER
2,3	CJGOB22T	JAY GO BACK 22W TALL COVER



Pos.	Item Number	Description	Remarks
1	C3500B	JAYCARE COVER BACK REGULAR AD BLK	
1	C3502B	JAYCARE COVER BACK 20 BLK	
1	C3505B	JAYCARE COVER BACK 16 BLK	
2	B3500	JAYCARE BASE BACK 18	
2	B3502	JAYCARE BASE BACK 20	
2	B3505	JAYCARE BASE BACK 16	
3	S3500	JAYCARE SHELL BACK 18	
3	S3502	JAYCARE SHELL BACK 20	
3	S3505	JAYCARE SHELL BACK 16	
4A	M-300	STANDARD HARDWARE KIT-JAYCARE SHELL	
4B	M-301	EXTERIOR HARDWARE KIT-JAYCARE SHELL	
5	680C	BOTTOM UNIVERSAL POST BRACKETS	
6	681C	TOP BRACKET ASSM - "QUARTER-TURN"	
6A	2681C	TOP LONG 1/4 BRACKET ASSM	
7	880997	LONG STRAP KIT	USED ON 1 1/8" DIAMETER BACK POST
8	M-500	HEADREST ADAPTOR KIT	

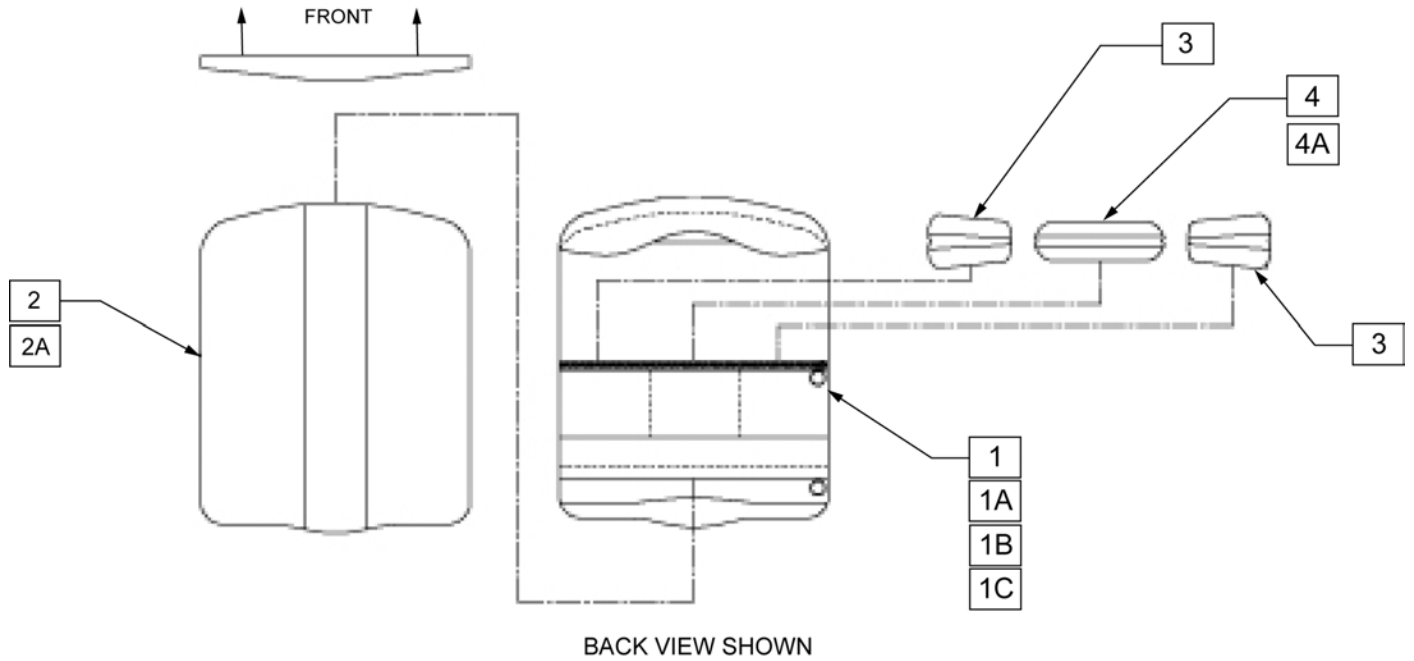
Note: Parts only, for complete Backrest see Jay Focus Point Back orderform.



Pos.	Item Number	Description	Pos.	Item Number	Description
1	FP-LS-1415R	FP RT LATERAL SHELL 14-15	7	106935	NUT NYLOCK THIN 1/4-28 ROHS
1	FP-LS-1617R	FP RT LATERAL SHELL 16-17	8	FP-NPLT-LNG	FP NUTPLATE LONG
1	FP-LS-1819R	FP RT LATERAL SHELL 18-19	9	106943	1/4 AN WASHER FLAT
1	FP-LS-2021R	FP RT LATERAL SHELL 20-21	10	106958	1/4-20 X 1 HEX C/S
2	FP-HPLT-ML	FP HINGE PLT MALE	11	FP-MBRKT	FP MAIN BRKT
3	FP-NPLT-SHT	FP NUTPLATE SHORT	12	FP-HANG-V3	FP HANGER V3
4	FP-CS-1415T	FP CENTER SHELL 14-15 TALL	13	M-455036-QU	1/4-28 X 9/16 SPEC ROUND HD
4	FP-CS-1415	FP CENTER SHELL 14-15	14	FP-LS-1415L	FP LFT LATERAL SHELL 14-15
4	FP-CS-1617T	FP CENTER SHELL 16-17 TALL	14	FP-LS-1617L	FP LFT LATERAL SHELL 16-17
4	FP-CS-1617	FP CENTER SHELL 16-17	14	FP-LS-1819L	FP LFT LATERAL SHELL 18-19
4	FP-CS-1819T	FP CENTER SHELL 18-19 TALL	14	FP-LS-2021L	FP LFT LATERAL SHELL 20-21
4	FP-CS-1819	FP CENTER SHELL 18-19	15	FP-CF-1415T	FP BCK FOAM CENTER 1415T
4	FP-CS-2021T	FP CENTER SHELL 20-21 TALL	15	FP-CF-1415	FP BCK FOAM CENTER 1415
4	FP-CS-2021	FP CENTER SHELL 20-21	15	FP-CF-1617T	FP BCK FOAM CENTER 1617T
5	B232OW	LUMBAR SUPPORT J2DC BACK VEL	15	FP-CF-1617	FP BCK FOAM CENTER 1617
6	FP-HPLT-FL	FP HINGE PLT FEMALE	15	FP-CF-1819T	FP BCK FOAM CENTER 1819T

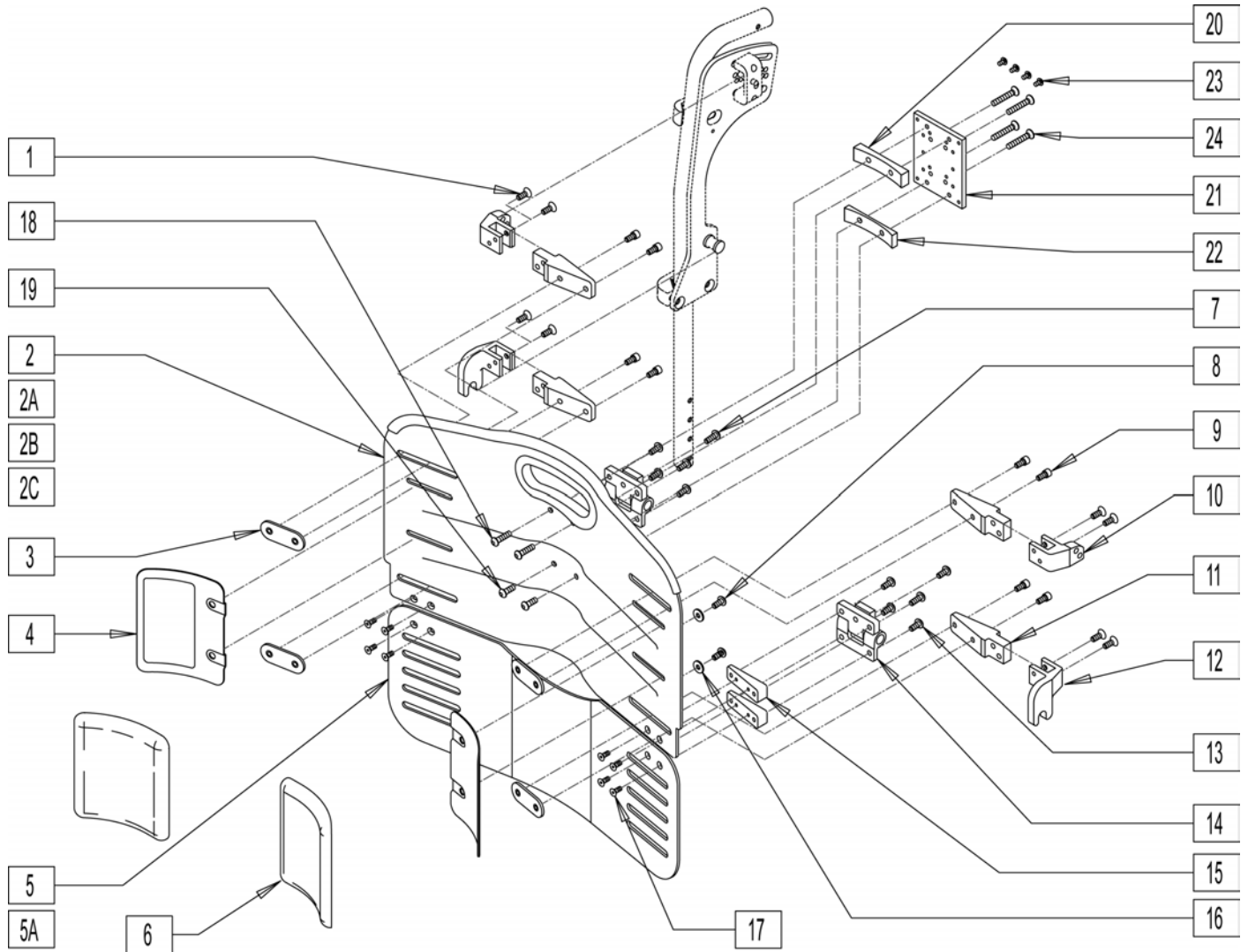
Pos.	Item Number	Description	Pos.	Item Number	Description
15	FP-CF-1819	FP BCK FOAM CENTER 1819	19	FP-LF-1415L	FP LATERAL FOAM LFT 14-15
15	FP-CF-2021T	FP BCK FOAM CENTER 2021T	19	FP-LF-1617L	FP LATERAL FOAM LFT 16-17
15	FP-CF-2021	FP BCK FOAM CENTER 2021	19	FP-LF-1819L	FP LATERAL FOAM LFT 18-19
16	FP-CVR-1415T	FP BCK COVER CENTER 1415T	19	FP-LF-2021L	FP LATERAL FOAM LFT 20-21
16	FP-CVR-1415	FP BCK COVER CENTER 1415	18	FP-LCVR-1415R	FP LATERAL COVER RT 14-15
16	FP-CVR-1617T	FP BCK COVER CENTER 1617T	18	FP-LCVR-1617R	FP LATERAL COVER RT 16-17
16	FP-CVR-1617	FP BCK COVER CENTER 1617	18	FP-LCVR-1819R	FP LATERAL COVER RT 18-19
16	FP-CVR-1819T	FP BCK COVER CENTER 1819T	18	FP-LCVR-2021R	FP LATERAL COVER RT 20-21
16	FP-CVR-1819	FP BCK COVER CENTER 1819	20	FP-LCVR-1415L	FP LATERAL COVER LFT 14-15
16	FP-CVR-2021T	FP BCK COVER CENTER 2021T	20	FP-LCVR-1617L	FP LATERAL COVER LFT 16-17
16	FP-CVR-2021	FP BCK COVER CENTER 2021	20	FP-LCVR-1819L	FP LATERAL COVER LFT 18-19
17	FP-LF-1415R	FP LATERAL FOAM RT 14-15	20	FP-LCVR-2021L	FP LATERAL COVER LFT 20-21
17	FP-LF-1617R	FP LATERAL FOAM RT 16-17	21	M-260	KIT CLAMP FP BACK
17	FP-LF-1819R	FP LATERAL FOAM RT 18-19	22	M-201105	1/4-20 NYLOCK
17	FP-LF-2021R	FP LATERAL FOAM RT 20-21			

Parts only, for complete Backrest see J2 Plus Back orderform.



Pos.	Item Number	Description
1	C202023AI	J2 PLUS BACK COVER 20 - 23 AIR INT
1A	C202023A	J2 PLUS BACK COVER 20 - 23 AIR
1B	C202326AI	J2 PLUS BACK COVER 23 - 26 AIR INT
1C	C202326A	J2 PLUS BACK COVER 23 - 26 AIR
2	B202023	J2 PLUS BACK FOAM 20 - 23
2A	B202426	J2 PLUS BACK FOAM 24 - 26
3	B200007	ASIS FOAM BARIATRIC
4	B200006	SACURM FOAM SMALL BARIATRIC
4A	B200005	SACRUM FOAM LARGE BARIATRIC
1-4	C202023AIB	J2 PLUS COVER ASSM 20 - 23 AIR INT
1A, -4	C202023AB	J2 PLUS COVER ASSM 20 - 23 AIR
1B, 2A, 3, 4A	C202326AIB	J2 PLUS COVER ASSM 23 - 26 AIR INT

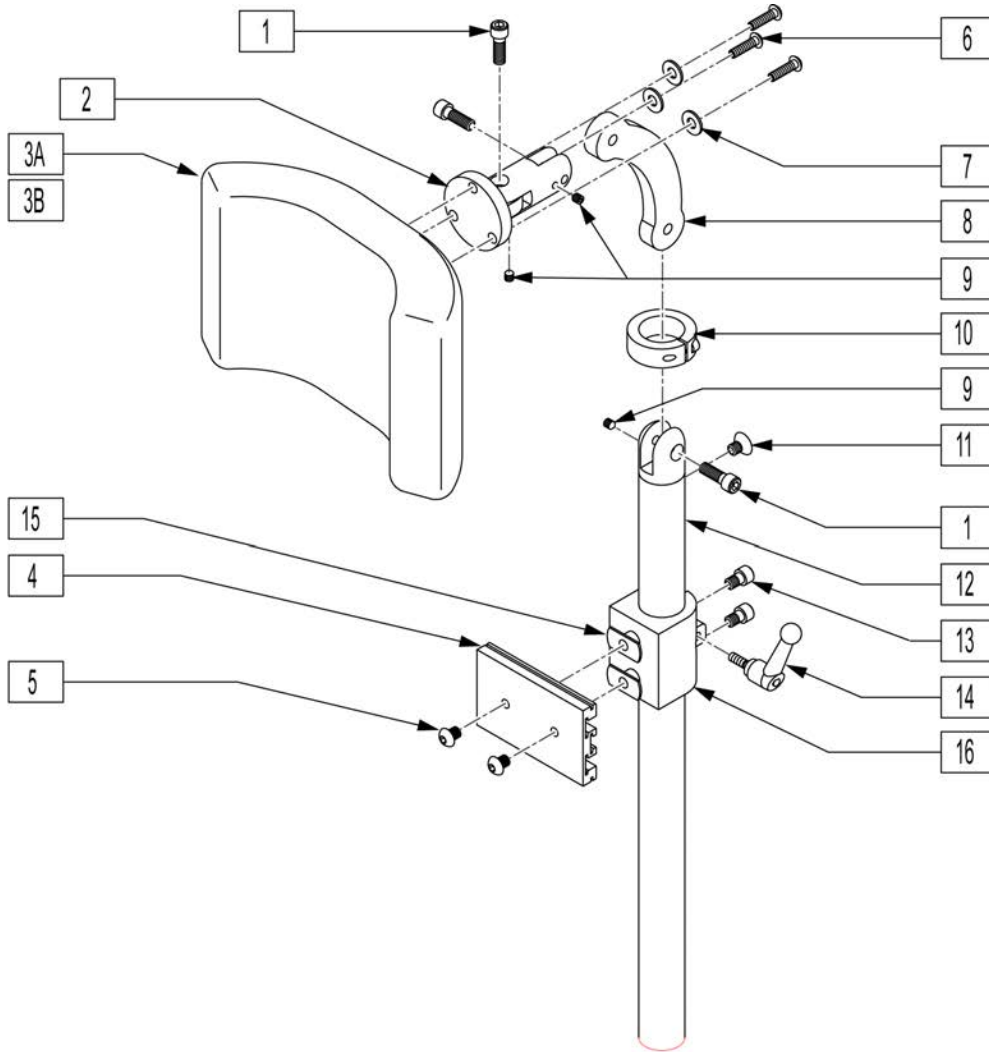
Parts only, for complete Backrest see J2 Plus Back orderform.



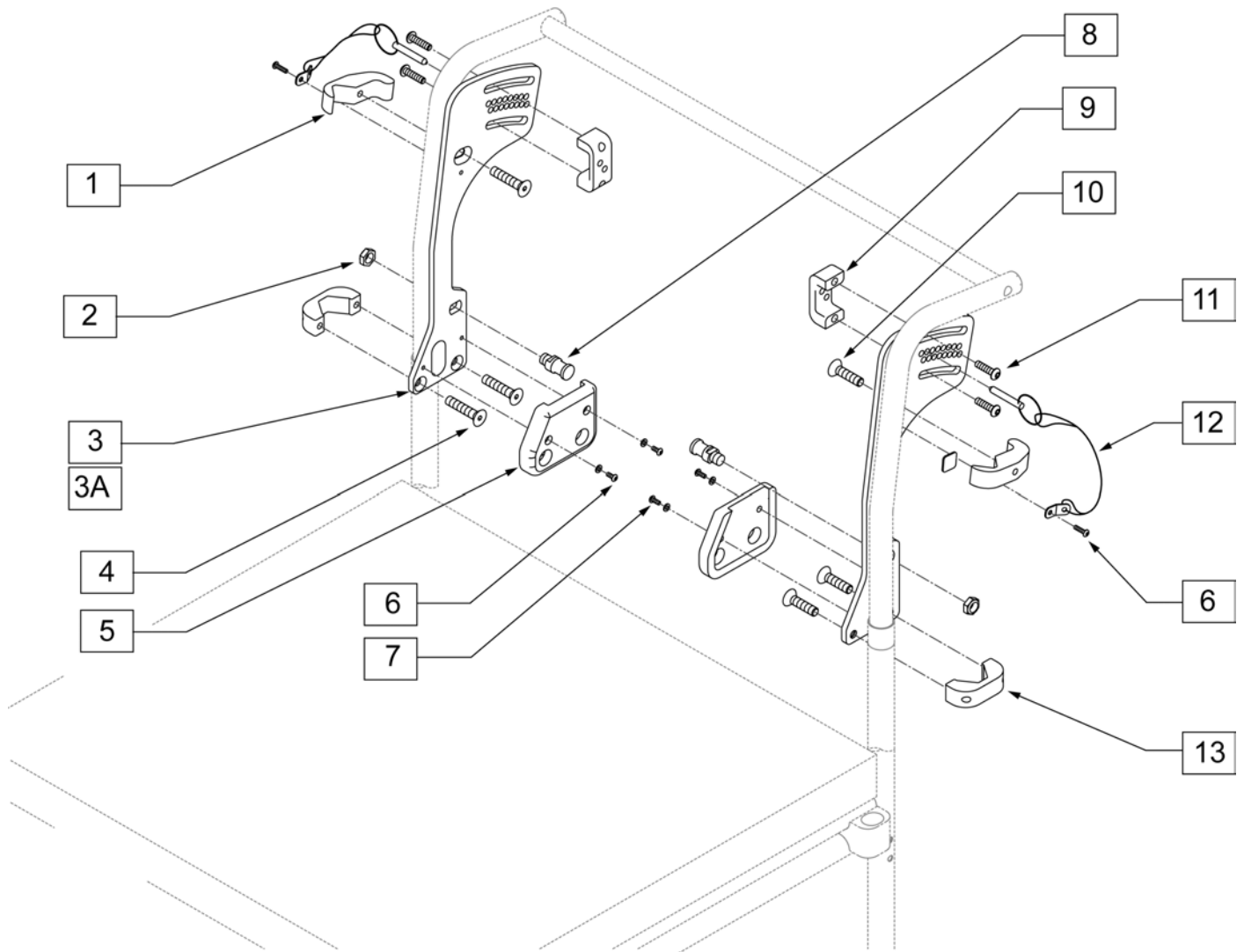
Pos.	Item Number	Description
1	M-200007	FHCS .250 - 20 X 1.00 W/ PATCH BLK
3	200010-MJ	NUT PLATE BARIATRIC
4	200110-MJ	J2 PLUS GROWTH PLATE ASSM
5	202023-MJ	J2 PLUS VANITY FLAP ASSM 20 - 23
5A	202326-MJ	J2 PLUS VANITY FLAP ASSM 23 - 26
6	B200001	GROWTH PLATE FOAM
7	M-200010	BHCS .250 - 20 X .38 W/ PATCH BLK
8	M-200043	BHCS .250 - 20 X .38 W/ PATCH BLK
9	M-200039	BHCS .250 - 20 X .38 W/ PATCH BLK
10	200009-MJ	UPPER SHELL CONNECTOR
12	200006-MJ	LOWER SHELL CONNECTOR
13	M-200029	BHCS .250 - 20 X .38 W/ PATCH BLK
14	M-200006	J2 PLUS HINGE FRICTION ADJUST
15	200014-MJ	J2 PLUS HINGE PLATE SHIM
16	M-200036	WASHER .25 ANSI SERIES N PLAIN BLK

Pos.	Item Number	Description
17	M-200040	FHCS 10 - 32 X .38 W/ PATCH BLK
18	M-200041	BHCS .250 - 28 X .75 W/ PATCH BLK
19	M-200042	BHCS .25 - 28 X 63 W/ PATCH BLK
20	200023-MJ	UNIVERSAL HEADREST UPPER MOUNTING
21	XM2025	MNTNG PLATE/PEDIAT.HEAD REST
22	200022-MJ	UNIVERSAL HEADREST LOWER MOUNTING
23	226018-QU	BHCS 10 - 32 X 3/8 W/ PATCH BLK
24	479034	FHCS, 250 - 28 X 1.50
9,16-18	200121-MJ	J2 PLUS HINGE ASSM
1, 13, 14	200102-MJ	J2 PLUS UPPER CONNECTOR ASM
1, 14, 15	200100-MJ	J2 PLUS LOWER CONNECTOR ASSM
1-2, 3-5, 6-17	200130H-MJ	BCKRST ASM 20-23 J2PLUS HEADREST
1-2A, 3-5, 6-17	200130-MJ	J2 PLUS BACKREST ASSM 20-23
1-2C, 3-5, 6-17	200131H-MJ	J2 PLUS BACKREST ASSM 23-26 HEADREST
1-2B, 3-5A, 6-22	200131-MJ	J2 PLUS BACKREST ASSM 23-26
18-22	200206-MJ	J2 HEADREST HARDWARE KIT
18-22, 24	200207-MJ	J2 HEADREST HARDWARE KIT, WT
18-22, 23	200208-MJ	J2 HEADREST HARDWARE KIT, OT

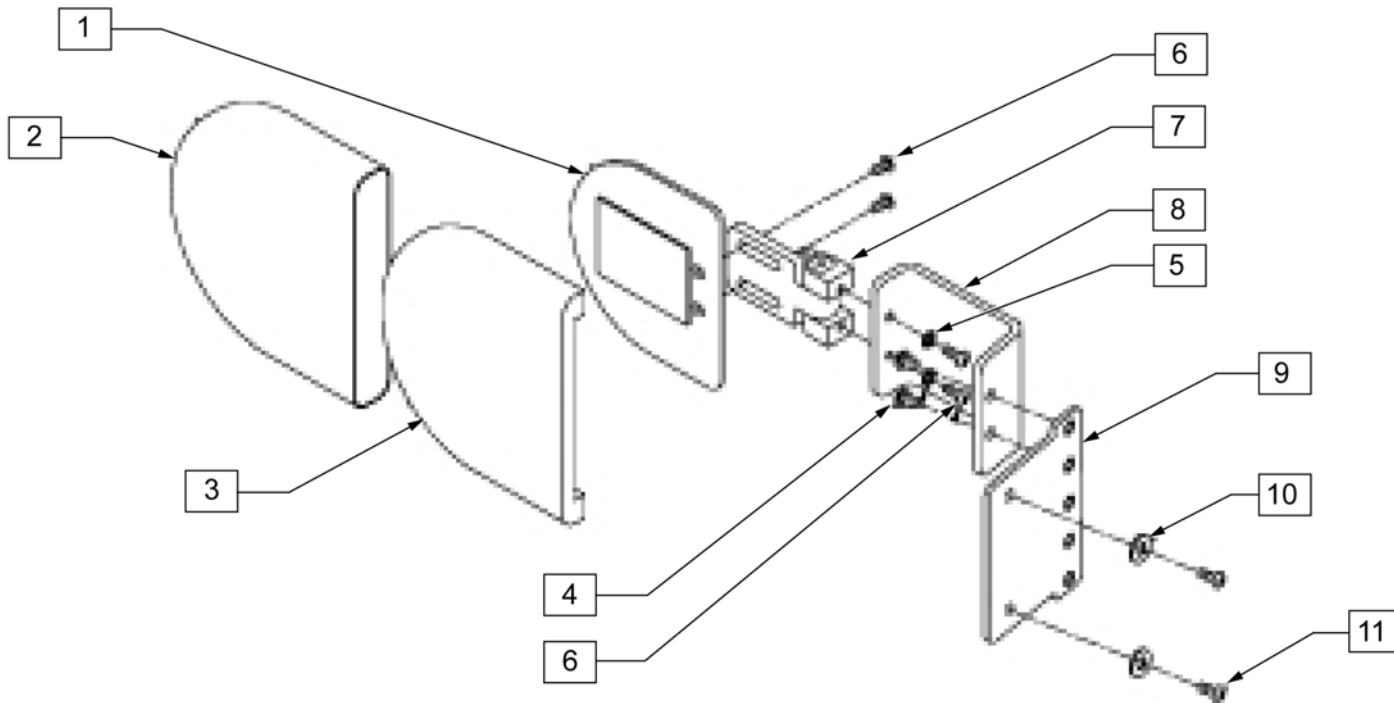
HEADREST



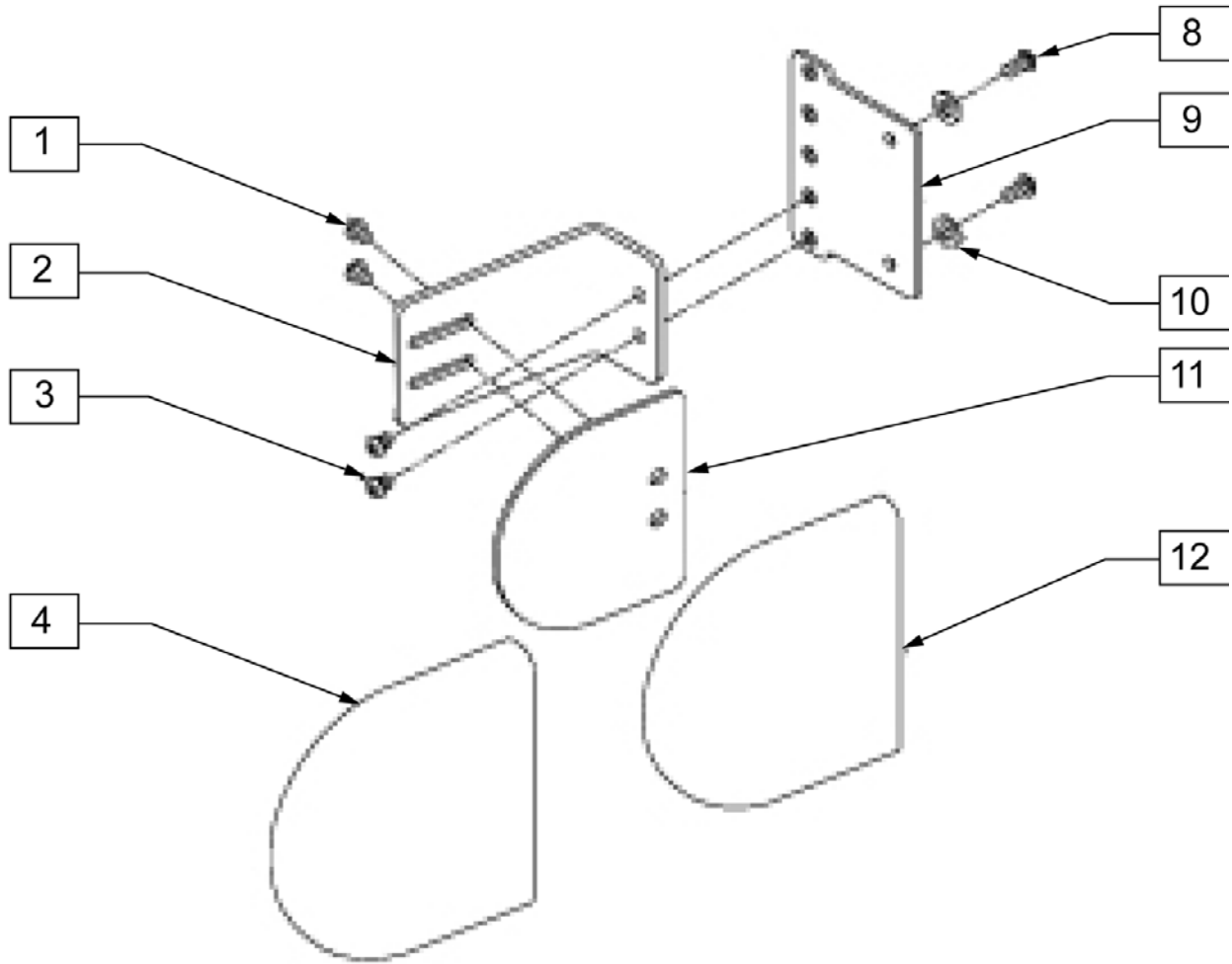
Pos.	Item Number	Description	Remarks
1	221115	1/4-20 x 3/4" SOC HD C/S BLK	
3A	750696	HEADREST W/ZIPPER MEDIUM CG	8x4.5 pad
3B	750697	HEADREST W/ZIPPER LARGE CG	9x4.5 pad
4	505932	HEADREST MOUNTING TRACK	
5	476304	1/4-28 x .31 BHCS W/PATCH	
6	221010	10-32 x .75 SHCS BLK W/PL	
7	261204	#10 AN WASHER .063	
8	331077	HEADREST LINK 6 INCH	
9	341045	#10-24 CONE POINT SET SCREW	
10	505933	HEADREST COLLAR	
11	226072	1/4-20 x 1/2 FH C/S BLK	
13	226095	1/4-20 x 3/8" SOC C/S BLK ZN	
14	341046	HEADREST CLAMPING HANDLE SCREW	
15	340033	1/4-20 WELD NUTS SLAB BASE	
4,5,13-16	888101	CLAMP HEADREST RIGID BACK	
1,2,4,6-16	881003	HEADREST MOUNTING BRACKET ASSM	
1-3A,4-16	881907	HEADREST ASSEMBLY MEDIUM	8x4.5 pad
1-3B,4-16	881908	HEADREST ASSEMBLY LARGE	9x4.5 pad



Pos.	Item Number	Description	Remarks
1	201104-MJ	J2 PLUS UPPER SIDE CLAMP ASSM	
2	M-200030	NUT, JAM NYLOCK .4375-20	
4	M-200034	FHCS, .313 -18 X 1.25 W/PATCH BLK	
5	B200003	SIDE PLATE FOAM J2 PLUS R/H	Right
5	B200004	SIDE PLATE FOAM J2 PLUS L/H	Left
6	M-200032	BHCS, .313 - 10-32 W/PATCH BLK	
7	M-200009	WASHER, #10 SAE BLK	
8	200004-MJ	J2 PLUS PSIS PIVOT	
9	200017-MJ	PIN RETAINER L/H J2 PLUS	Left
9	200016-MJ	PIN RETAINER R/H J2 PLUS	Right
10	M-200035	FHCS, .313 -18 X 1.0 W/PATCH BLK	
11	M-200031	BHCS, .313 -18 X 1.0 W/PATCH BLK	
12	M-200003	J2 PLUS LOCATING PIN	
13	200002-MJ	LOWER SIDE CLAMP	
1-13	200202-MJ	SIDE PLATE ASM RH 8 DEG J2PLUS	
1-13	200203-MJ	SIDE PLATE ASM LH 8 DEG J2PLUS	
1-3A, 4-13	200200-MJ	SIDE PLATE ASM RH 0 DEG J2PLUS	
1-3A, 4-13	200201-MJ	SIDE PLATE ASM LH 0 DEG J2PLUS	



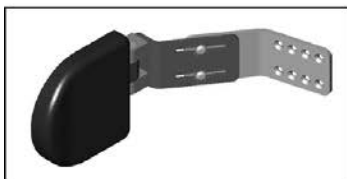
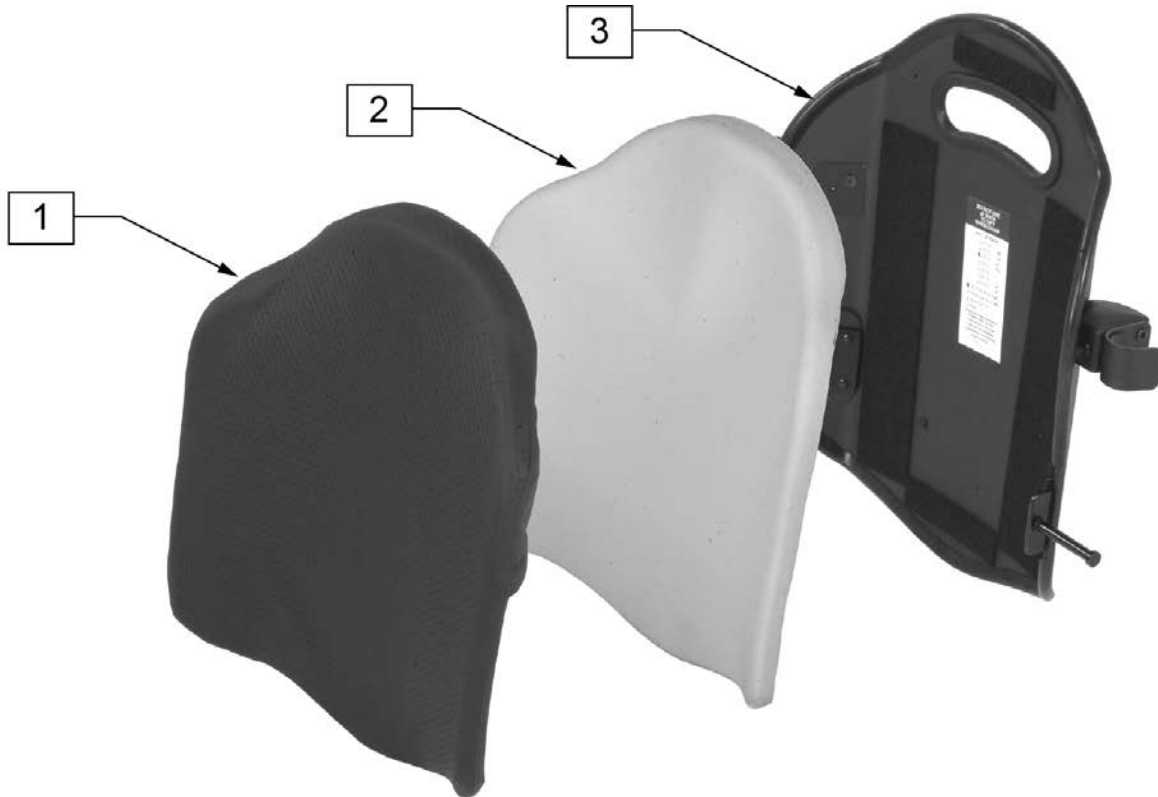
Pos.	Item Number	Description	Remarks
4	M200029	BHCS .250 - 20 X .38 W/ PATCH BLK	
6	XM2141S	1/4-28 x .31 BHSC W/ PATCH	
7	476180	ADJUSTABLE LATERAL SWING AWAY	
8	200026-MJ	J2 PLUS S/A LATERAL BRACKET	
9	200028-MJ	J2 PLUS LATERAL BRACKET PLATE	
10	M-200036	WASHER, .25 ANSI SERIES N PLAIN BLK	
11	M-200037	BHSC .250 - 20 X .63 W/ PATCH BLK	
1-3	476230	LATERAL THORACIC SUPPORT LARGE W/O HARDWARE	
1-11	200124-MJ	J2 PLUS S/A LATERAL SUPPORT ASSM	RIGHT
1-11	200125-MJ	J2 PLUS S/A LATERAL SUPPORT ASSM	LEF
1-11	200127-MJ	J2 PLUS S/A LATERAL SUPPORT ASSM	PAIR



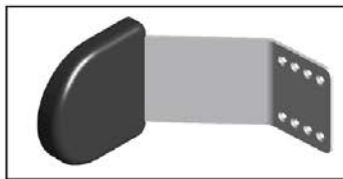
Pos.	Item Number	Description	Remarks
1	226018-QU	BHCS 10 - 32 x 3/8 W/ PATCH BLK	
2	200027-MJ	J2 PLUS FIXED LATERAL BRACKET	
3	M-200029	BHCS .250 - 20 X .38 W/ PATCH BLK	
5	M-200037	BHCS 10 - 32 x .63 W/ PATCH BLK	
6	200028-MJ	J2 PLUS LATERAL BRACKET PLATE	
7	M-200036	WASHER, .25 ANSI SERIES N PLAIN BLK	
4, 8, 9	476230	LATERAL THORACIC SUPPORT LARGE W/O HARDWARE	
1-9	200114-MJ	J2 PLUS LATERAL SUPPORT ASSM	RIGHT
1-9	200115-MJ	J2 PLUS LATERAL SUPPORT ASSM	LEFT
1-8	200116-MJ	J2 PLUS LATERAL SUPPORT ASSM	PAIR

NOTE: SEE JAY J2 & JAY J2 DEEP CONTOUR MOUNTING HARDWARE GUIDE FOR REPLACEMENT PART NUMBERS FOR ALL ATTACHMENT HARDWARE.

NOTE: CARRYING HANDLE IS NOT AVAILABLE FOR BACK SHELL WIDTHS 12" THROUGH 15" WIDE.



4A
4B
4C



5



6A
6B
6C

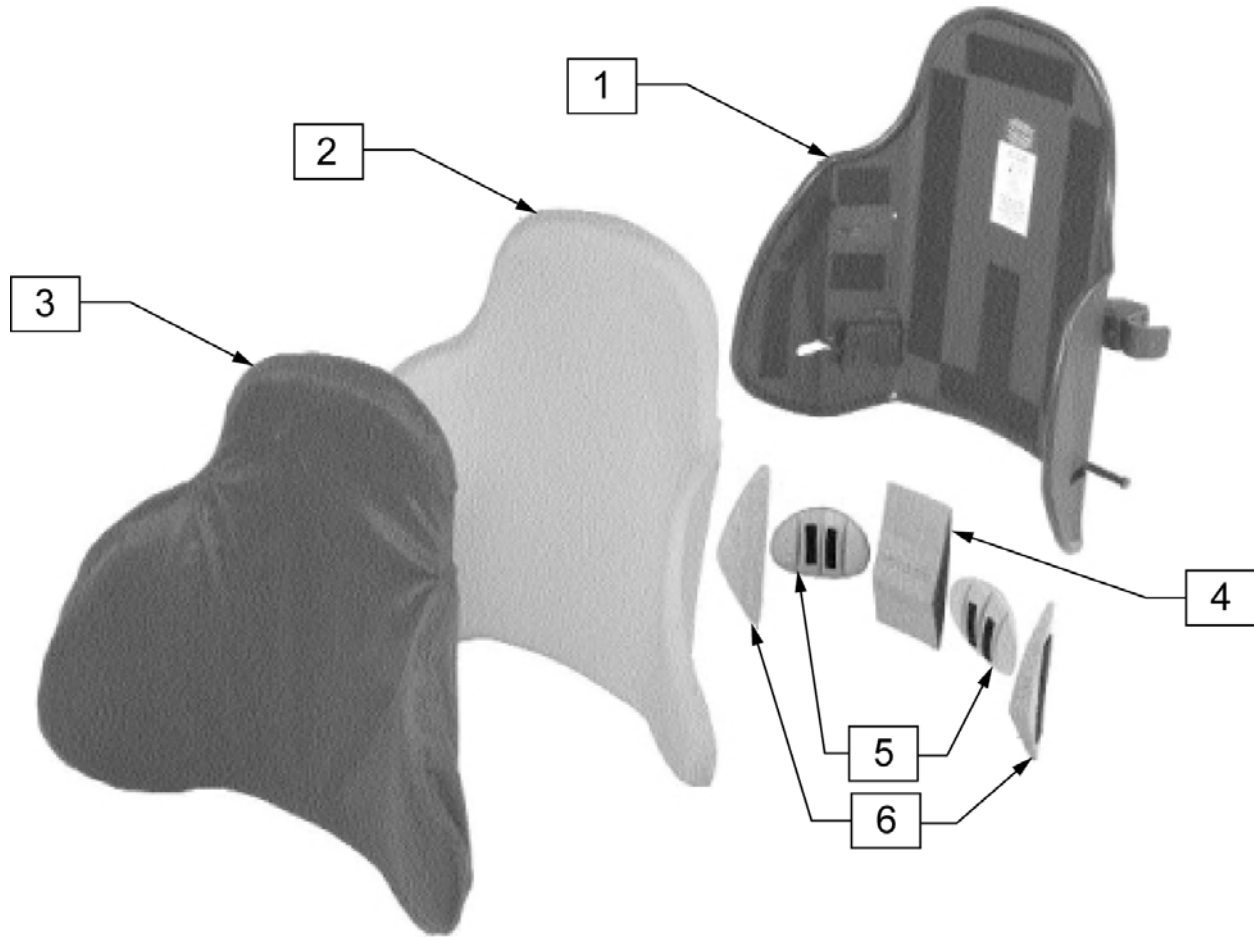
Pos.	Item Number	Description	Remarks
1	C2512	COVER J2 BACK 12 X 12.5	
1	C2513	COVER J2 BACK 13 X 13.2	
1	C2514	COVER J2 BACK 14 X 14.3	
1	C2515	COVER J2 BACK 15 X 15.3	
1	C2516	COVER J2 BACK 16 X 16.3	
1	C2517	COVER J2 BACK 17 X 16.3	
1	C2518	COVER J2 BACK 18 X 16.3	
1	C2519	COVER J2 BACK 19 X 16.8	
1	C2520	COVER J2 BACK 20 X 17.3	
1	C2514T	COVER J2 BACK 14 X 21	
1	C2515T	COVER J2 BACK 15 X 21	
1	C2516T	COVER J2 BACK 16 X 21.8	

Pos.	Item Number	Description	Remarks
1	C2517T	COVER J2 BACK 17 X 21.8	
1	C2518T	COVER J2 BACK 18 X 21.8	
1	C2519T	COVER J2 BACK 19 X 22.8	
1	C2520T	COVER J2 BACK 20 X 22.8	
2	B2512	BACK FOAM 12 X 12.5	
2	B2513	BACK FOAM 13 X 13.2	
2	B2514	BACK FOAM 14 X 14.3	
2	B2515	BACK FOAM 15 X 15.3	
2	B2516	BACK FOAM 16 X 16.3	
2	B2517	BACK FOAM 17 X 16.3	
2	B2518	BACK FOAM 18 X 16.3	
2	B2519	BACK FOAM 19 X 16.8	
2	B2520	BACK FOAM 20 X 17.3	
2	B2514T	BACK FOAM 14 X 21	
2	B2515T	BACK FOAM 15 X 21	
2	B2516T	BACK FOAM 16 X 21.8	
2	B2517T	BACK FOAM 17 X 21.8	
2	B2518T	BACK FOAM 18 X 21.8	
2	B2519T	BACK FOAM 19 X 22.8	
2	B2520T	BACK FOAM 20 X 22.8	
3	S2512K	J2 BACK SHELL W/ UNI MOUNT 12 X 12.5	
3	S2513K	J2 BACK SHELL W/ UNI MOUNT 13 X 13.2	
3	S2514K	J2 BACK SHELL W/ UNI MOUNT 14 X 14.3	
3	S2515K	J2 BACK SHELL W/ UNI MOUNT 15 X 15.3	
3	S2516K	J2 BACK SHELL W/ UNI MOUNT 16 X 16.3	
3	S2517K	J2 BACK SHELL W/ UNI MOUNT 17 X 16.3	
3	S2518K	J2 BACK SHELL W/ UNI MOUNT 118 X 16.3	
3	S2519K	J2 BACK SHELL W/ UNI MOUNT 19 X 16.8	
3	S2520K	J2 BACK SHELL W/ UNI MOUNT 20 X 17.3	
3	S2514TK	J2 BACK SHELL W/ UNI MOUNT 14 X 21	
3	S2515TK	J2 BACK SHELL W/ UNI MOUNT 15 X 21	
3	S2516TK	J2 BACK SHELL W/ UNI MOUNT 16 X 21.8	
3	S2517TK	J2 BACK SHELL W/ UNI MOUNT 17 X 21.8	
3	S2518TK	J2 BACK SHELL W/ UNI MOUNT 18 X 21.8	
3	S2519TK	J2 BACK SHELL W/ UNI MOUNT 19 X 22.8	
3	S2520TK	J2 BACK SHELL W/ UNI MOUNT 20 X 22.8	
4A	B2560SA	SWING AWAY BRACKET ONLY	
4B	B2560LSA	SWING AWAY BRACKET ONLY -LONG	
5	2560J	J2 BACK LATERAL SUPPORT 12/13 SMALL	
5	2560-MJ	J2 BACK LATERAL SUPPORT 4 X 4 SMALL	
5	2562J	J2 BACK LATERAL SUPPORT 12/13 MEDIUM	
5	2562	J2 BACK LATERAL SUPPORT 5 X 5 MEDIUM	
5	2562L	J2 BACK EXT LATERAL SUPPORT MEDIUM	
5	2564	J2 BACK LARGE LATERAL SUPPORT 6 X 6	
6A	P2560S	SMALL J2 LATERAL-PAD ONLY	PAIR - INCLUDES SMALL PADDLE, FOAM, COVER, AND HARDWARE
6A	B662	BASE FOR LATERAL SUPPORT SM	EACH - INCLUDES SMALL FOAM ONLY
6B	P2562M	MEDIUM J2 LATERAL-PAD ONLY	PAIR - INCLUDES MED PADDLE, FOAM, COVER, AND HARDWARE
6B	B672	BASE EXTENDED LATERAL MED	EACH - INCLUDES MED FOAM ONLY
6C	P2564L	LARGE J2 LATERAL-PAD ONLY	PAIR - INCLUDES LARGE PADDLE, FOAM, COVER, AND HARDWARE
6C	B682	BASE EXTENDED LATERAL LARGE	EACH - INCLUDES LARGE FOAM ONLY
4C,6A	2560JSA	J2 BACK LATERAL SUPPORT SA 12/13 SMALL	
4B,6A	2560LSA	SMALL J2 SA LATERAL LONG	
4A,6A	2560SA	J2 BACK LATERAL SUPPORT SA SMALL	

Pos.	Item Number	Description	Remarks
4C,6B	2562JSA	J2 BACK LATERAL SUPPORT SA 12/13 MEDIUM	
4A,6B	2562SA	MEDIUM SA LATERAL SUPPORT	
4B,6B	2562LSA	J2 BACK LATERAL LONG SA MEDIUM	
4A,6C	2564SA	J2 BACK LATERAL SA LARGE	
4B,6C	2564LSA	LARGE J2 SA LATERAL LONG	

NOTE: SEE JAY J2 & JAY J2 DEEP CONTOUR MOUNTING HARDWARE GUIDE FOR REPLACEMENT PART NUMBERS FOR ALL ATTACHMENT HARDWARE.

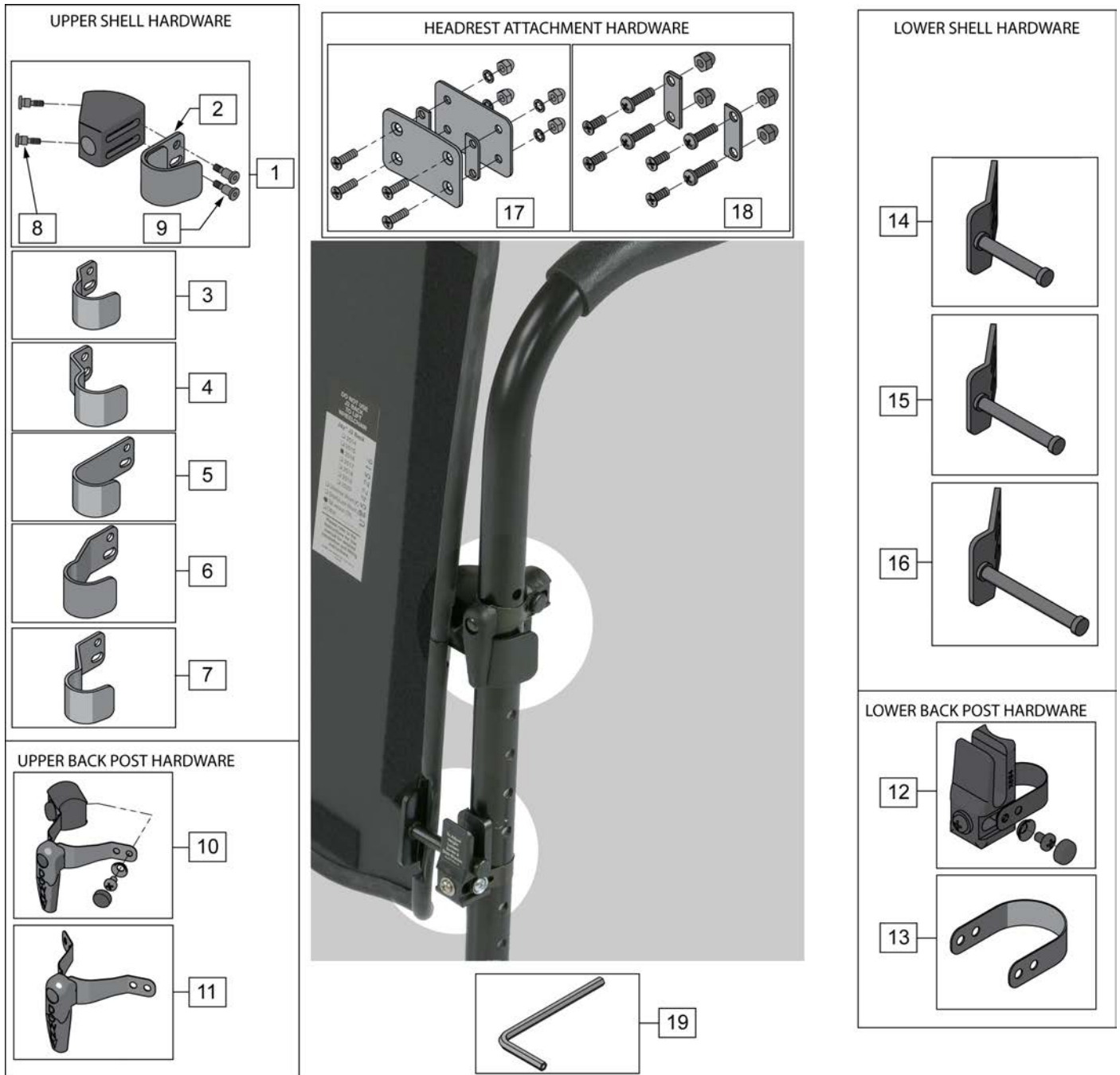
NOTE: CARRYING HANDLE IS NOT AVAILABLE FOR BACK SHELL WIDTHS 12" THROUGH 15" WIDE.



Pos.	Item Number	Description	Remarks
1	S2314	J2 DC 14 BACK SHELL ASSM 14 X 17	
1	S2315	J2 DC 14 BACK SHELL ASSM 15 X 18	
1	S2316	J2 DC 14 BACK SHELL ASSM 16 X 19	
1	S2317	J2 DC 14 BACK SHELL ASSM 17 X 19	
1	S2318	J2 DC 14 BACK SHELL ASSM 18 X 19	
1	S2319	J2 DC 14 BACK SHELL ASSM 19 X 20	
1	S2320	J2 DC 14 BACK SHELL ASSM 20 X 20	
2	B2314	J2 DC BACK BASE 14 X 17	
2	B2315F	J2 DC BACK BASE 15 X 18	
2	B2316F	J2 DC BACK BASE 16 X 19	
2	B2317F	J2 DC BACK BASE 17 X 19	

Pos.	Item Number	Description	Remarks
2	B2318F	J2 DC BACK BASE 18 X 19	
2	B2319F	J2 DC BACK BASE 19 X 20	
2	B2320F	J2 DC BACK BASE 20 X 20	
3	C2314	J2 DC BACK COVER 14 X 17	
3	C2315	J2 DC BACK COVER 15 X 18	
3	C2316	J2 DC BACK COVER 16 X 19	
3	C2317	J2 DC BACK COVER 17 X 19	
3	C2318	J2 DC BACK COVER 18 X 19	
3	C2319	J2 DC BACK COVER 19 X 20	
3	C2320	J2 DC BACK COVER 20 X 20	
4	B2320W	J2 DC BACK VELCRO LUMBAR SUPPORT	
5	2370	J2 DC POST LATERAL LUMBAR SUPPORTS	PAIR
6	2360	J2 LATERAL SUPPORT ADJUSTABLE WEDGES	PAIR

NOTE: IF ADDING JAY J2 DEEP CONTOUR BACK TO A CHAIR THAT HAS AN ANGLE ADJUSTABLE BACK PLEASE ORDER 880997 (ITEM 13).



Pos.	Item Number	Description	Remarks
1	M-254	TOP ADJUSTERS	
2	M-253	TOP HOOK KIT (SHORT)	SHIPS STANDARD W/ J2 & J2 DEEP BACKS
3	M-2312	SHORT HOOKS W/ 1/2 OFFSET	
4	M-2301	SHORT HOOKS W/ 1 OFFSET	
5	M-256	TOP HOOK KIT (LONG)	

Pos.	Item Number	Description	Remarks
6	M-2322	LONG HOOKS W/ 1/2 OFFSET	
7	M-2311	LONG HOOKS W/ 1 OFFSET	
8	M-241	SHOULDER BOLT 1/4 X 1/4	
9	M-240	SHOULDER BOLT 1/4 X 10-32	
10	681C	TOP BRACKET ASSM - 'QUARTER-TURN'	
11	2681C	TOP LONG 1/4 BRACKET ASSM	
12	680C	BOTTOM UNIVERSAL POST BRACKETS	
13	880997	LONG STRAP KIT	USED ON 1 1/8" DIAMETER BACK POST
14	M-258	BOTTOM PINS STANDARD	PIN LENGTH = 2"
15	M-2313	BOTTOM PINS 1/2 EXTENDED	PIN LENGTH = 2.5"
16	M-2323	BOTTOM PINS 1 EXTENDED	PIN LENGTH = 3"
17	M-500	HEADREST ADAPTOR KIT	
18	M-509	HEADREST ADAPTOR KIT-TALL BACK	
19	M-228	ALLEN WRENCH	
2,10,12	M-250	UNIV.RETRO-FIT KIT J2 BK	

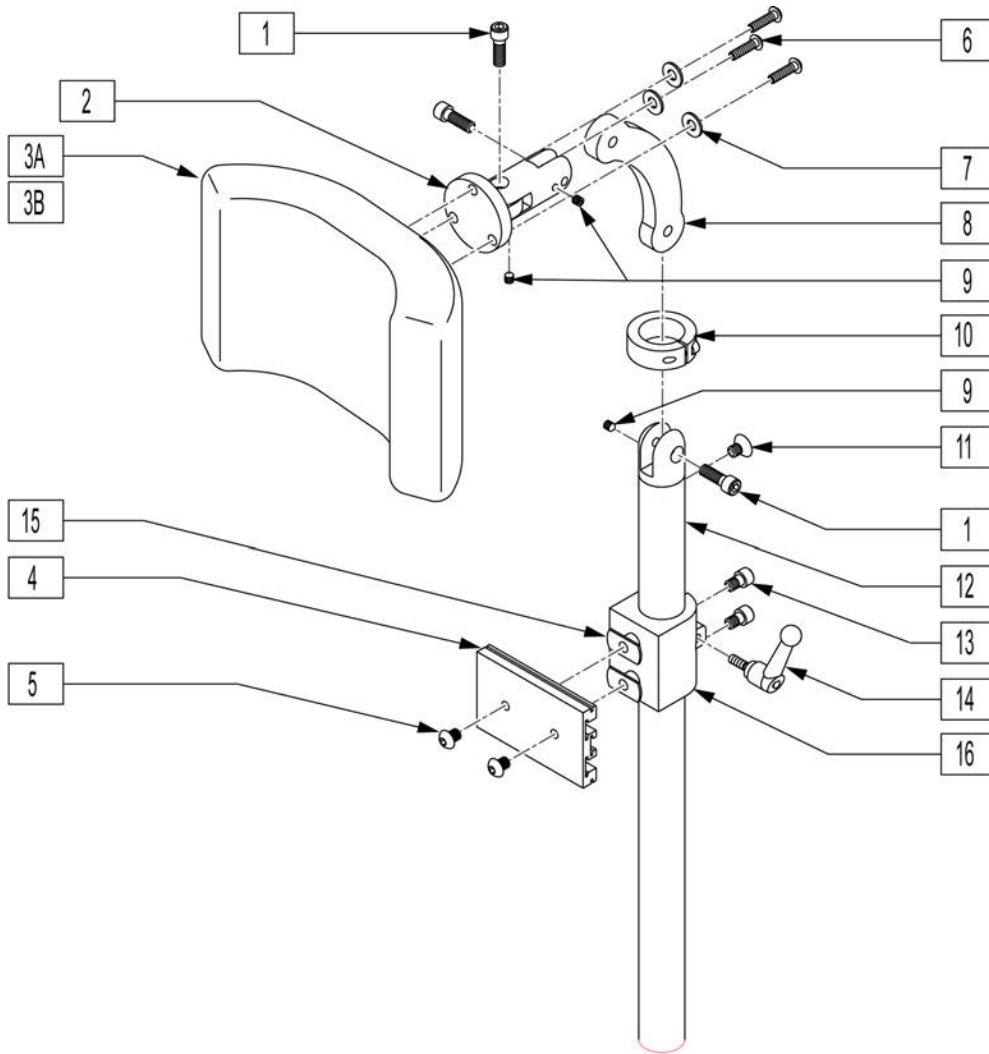


SHORT HOOKS OFTEN USED WITH ANGLED BACKPOST,
LONG HOOKS MORE COMMON WITH STRAIGHT BACKPOST.

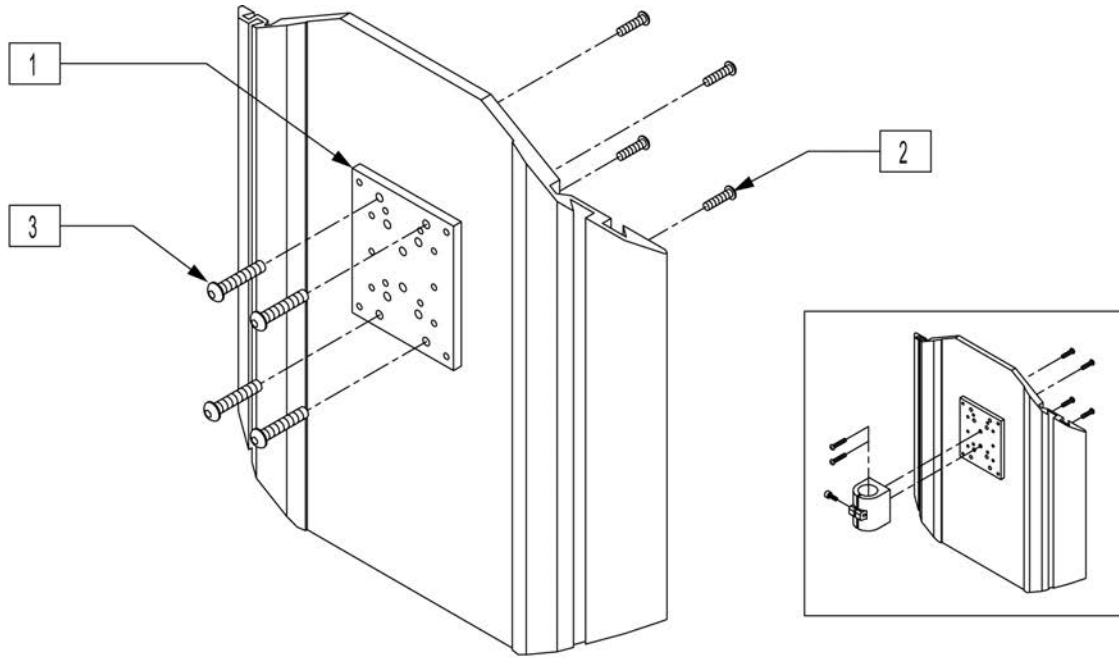
J2	J2 TALL	J2 DC	WIDTH	NARROWEST SETTING	WIDEST SETTING	1/2" OFFSET HOOK	1" OFFSET HOOK
2512K	2512TK	N/A	12" WIDE	11	12.5	13.5	14.5
2513K	2513TK	N/A	13" WIDE	12	13.5	14.5	15.5
2514K	2514TK	2314	14" WIDE	13	14.5	15.5	16.5
2515K	2515TK	2315	15" WIDE	14	15.5	16.5	17.5
2516K	2516TK	2316	16" WIDE	15	16.5	17.5	18.5
2517K	2517TK	2317	17" WIDE	16	17.5	18.5	19.5
2518K	2518TK	2318	18" WIDE	17	18.5	19.5	20.5
2519K	2519TK	2319	19" WIDE	18	19.5	20.5	N/A
2520K	2520TK	2320	20" WIDE	19	20.5	N/A	N/A

Pos.	Description
-	SEE CHART ABOVE

HEADREST

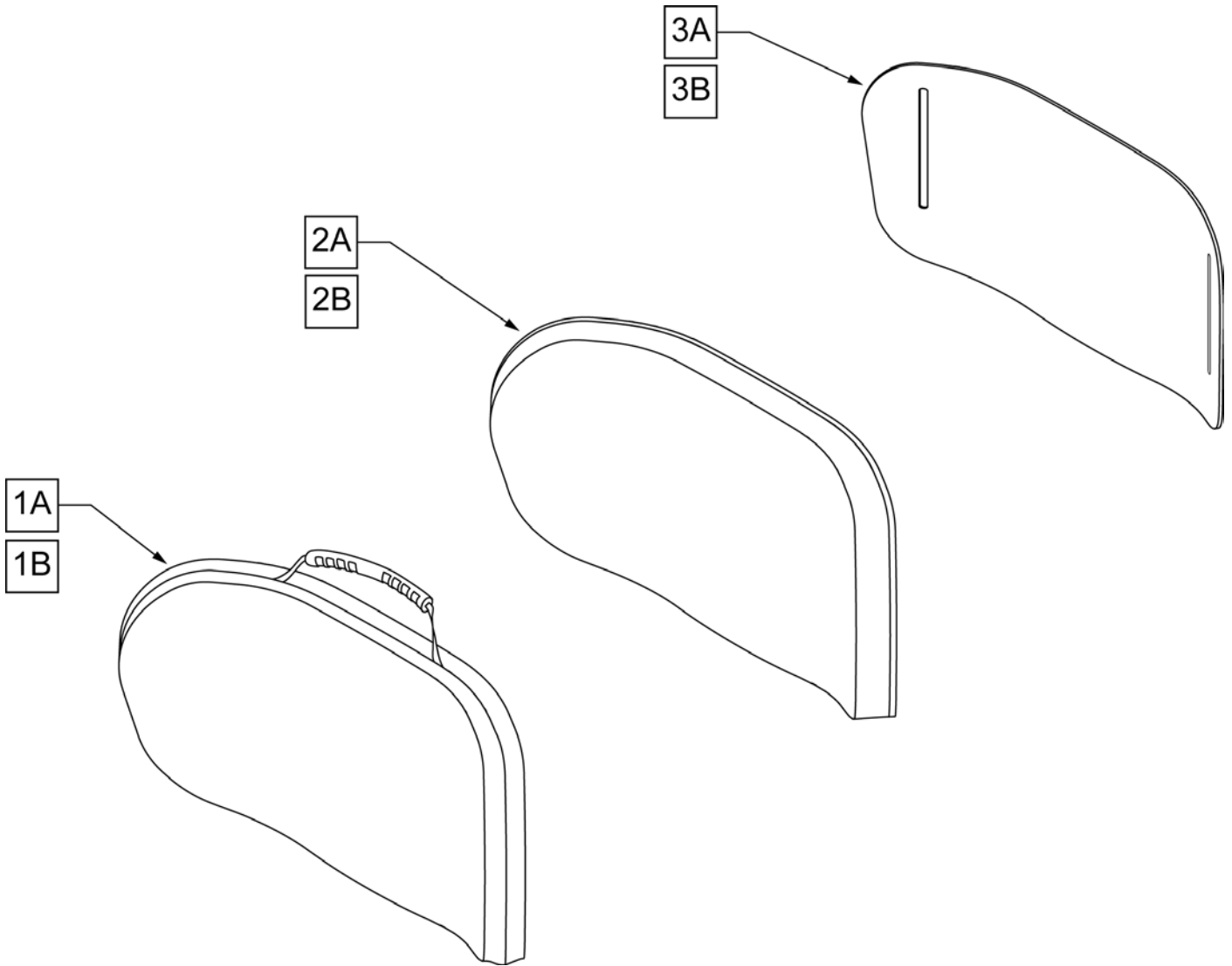


Pos.	Item Number	Description	Remarks
1	221115	1/4-20 x 3/4" SOC HD C/S BLK	
3A	750696	HEADREST W/ZIPPER MEDIUM CG	8x4.5 pad
3B	750697	HEADREST W/ZIPPER LARGE CG	9x4.5 pad
4	505932	HEADREST MOUNTING TRACK	
5	476304	1/4-28 x .31 BHCS W/PATCH	
6	221010	10-32 x .75 SHCS BLK W/PL	
7	261204	#10 AN WASHER .063	
8	331077	HEADREST LINK 6 INCH	
9	341045	#10-24 CONE POINT SET SCREW	
10	505933	HEADREST COLLAR	
11	226072	1/4-20 x 1/2 FH C/S BLK	
13	226095	1/4-20 x 3/8" SOC C/S BLK ZN	
14	341046	HEADREST CLAMPING HANDLE SCREW	
15	340033	1/4-20 WELD NUTS SLAB BASE	
4,5,13-16	888101	CLAMP HEADREST RIGID BACK	
1,2,4,6-16	881003	HEADREST MOUNTING BRACKET ASSM	
1-3A,4-16	881907	HEADREST ASSEMBLY MEDIUM	8x4.5 pad
1-3B,4-16	881908	HEADREST ASSEMBLY LARGE	9x4.5 pad



Pos.	Item Number	Description
1	XM2025	MNTNG PLATE/PEDIAT.HEAD REST
2	226018-QU	10-32 X 3/8 BH C/S W/PATCH BLK
3	476304	1/4-28 x .31 BHCS W/PATCH
1-3	476314	HEADREST NMT KIT W/HDWR POWER

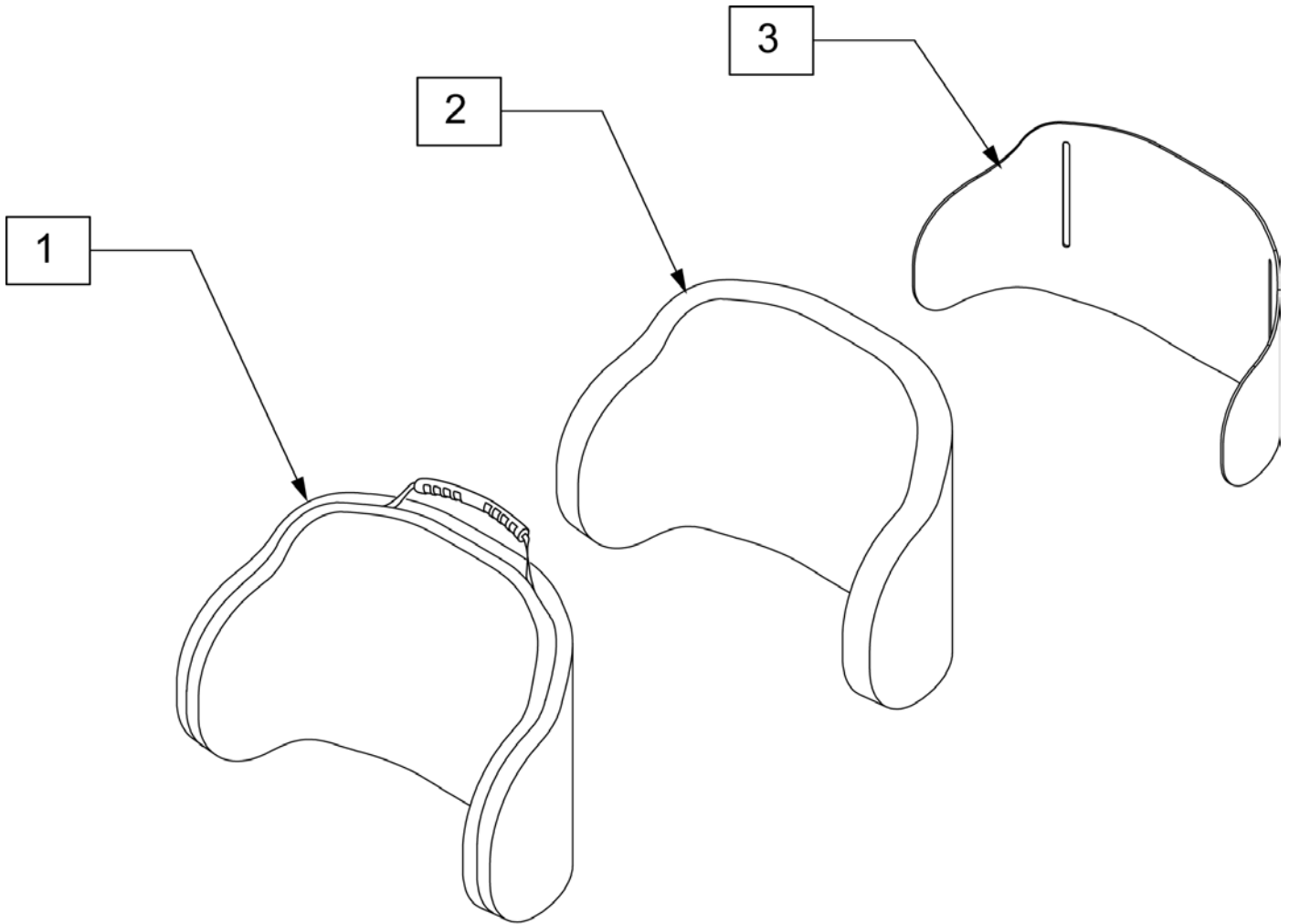
NOTE: Parts only, for complete Backrest see J3 Back order form.



Pos.	Item Number	Description	Pos.	Item Number	Description
1	CJ3PALTM12	J3 CVR POS LT 12W MED	2	BJ3PALTS14	J3 FOAM, POS LT 14W STD
1	CJ3PALTT12	J3 CVR POS LT 12W TAL	2	BJ3PALTM14	J3 FOAM, POS LT 14W MED
1	CJ3PALTS14	J3 CVR, POS LT 14W STD	2	BJ3PALTT14	J3 FOAM, POS LT 14W TALL
1	CJ3PALTM14	J3 CVR, POS LT 14W MED	2	BJ3PALTS16	J3 FOAM, POS LT 16W STD
1	CJ3PALTT14	J3 CVR, POS LT 14W TALL	2	BJ3PALTM16	J3 FOAM, POS LT 16W MED
1	CJ3PALTS16	J3 CVR, POS LT 16W STD	2	BJ3PALTT16	J3 FOAM, POS LT 16W TALL
1	CJ3PALTM16	J3 CVR, POS LT 16W MED	2	BJ3PALTS18	J3 FOAM, POS LT 18W STD
1	CJ3PALTT16	J3 CVR, POS LT 16W TALL	2	BJ3PALTM18	J3 FOAM, POS LT 18W MED
1	CJ3PALTS18	J3 CVR, POS LT 18W STD	2	BJ3PALTT18	J3 FOAM, POS LT 18W TALL
1	CJ3PALTM18	J3 CVR, POS LT 18W MED	2	BJ3PALTT20	J3 FOAM, POS LT 20W TALL
1	CJ3PALTT18	J3 CVR, POS LT 18W TALL	3	SJ3PALTM12	J3 SHELL POS LT 12W MED
1	CJ3PALTT20	J3 CVR, POS LT 20W TALL	3	SJ3PALTT12	J3 SHELL POS LT 12W TAL
2	BJ3PALTM12	J3 FOAM POS LT 12W MED	3	SJ3PALTS14	J3 SHELL, POS LT 14W STD
2	BJ3PALTT12	J3 FOAM POS LT 12W TAL	3	SJ3PALTM14	J3 SHELL, POS LT 14W MED

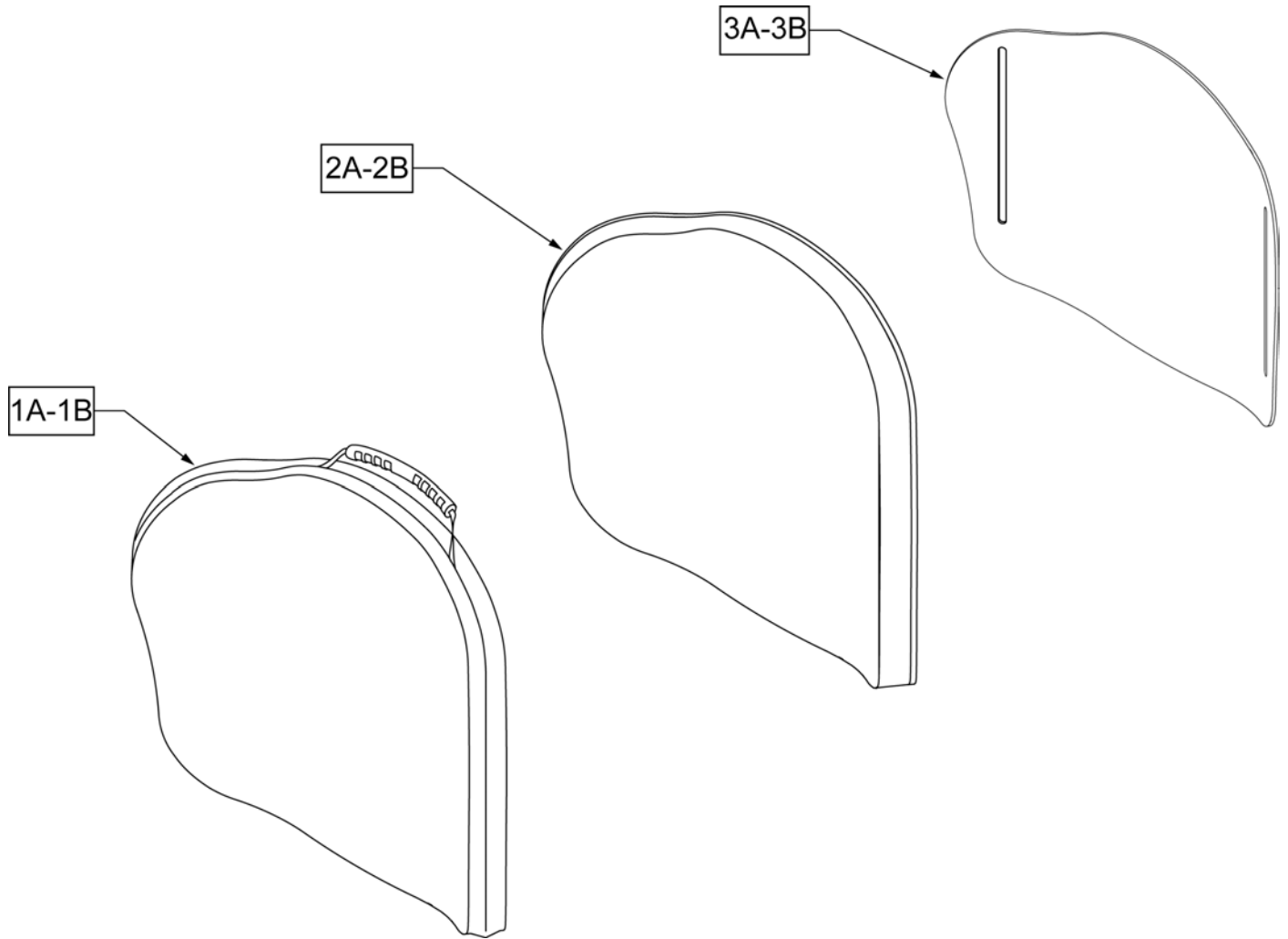
Pos.	Item Number	Description	Pos.	Item Number	Description
3	SJ3PALTT14	J3 SHELL, POS LT 14W TALL	3	SJ3PALTS18	J3 SHELL, POS LT 18W STD
3	SJ3PALTS16	J3 SHELL, POS LT 16W STD	3	SJ3PALTM18	J3 SHELL, POS LT 18W MED
3	SJ3PALTM16	J3 SHELL, POS LT 16W MED	3	SJ3PALTT18	J3 SHELL, POS LT 18W TALL
3	SJ3PALTT16	J3 SHELL, POS LT 16W TALL	3	SJ3PALTT20	J3 SHELL, POS LT 20W TALL

NOTE: Parts only, for complete Backrest see J3 Back order form.



Pos.	Item Number	Description	Pos.	Item Number	Description
1	CJ3PDCLTM14	J3 CVR PDC LT 14W MED	2	BJ3PDCLTM18	J3 FOAM PDC LT 18W MED
1	CJ3PDCLTT14	J3 CVR PDC LT 14W TAL	2	BJ3PDCLTT18	J3 FOAM PDC LT 18W TAL
1	CJ3PDCLTM16	J3 CVR PDC LT 16W MED	2	BJ3PDCLTT20	J3 FOAM PDC LT 20W TAL
1	CJ3PDCLTT16	J3 CVR PDC LT 16W TAL	3	SJ3PDCLTM14	J3 SHELL PDC LT 14W MED
1	CJ3PDCLTM18	J3 CVR PDC LT 18W MED	3	SJ3PDCLTT14	J3 SHELL PDC LT 14W TAL
1	CJ3PDCLTT18	J3 CVR PDC LT 18W TAL	3	SJ3PDCLTM16	J3 SHELL PDC LT 16W MED
1	CJ3PDCLTT20	J3 CVR PDC LT 20W TAL	3	SJ3PDCLTT16	J3 SHELL PDC LT 16W TAL
2	BJ3PDCLTM14	J3 FOAM PDC LT 14W MED	3	SJ3PDCLTM18	J3 SHELL PDC LT 18W MED
2	BJ3PDCLTT14	J3 FOAM PDC LT 14W TAL	3	SJ3PDCLTT18	J3 SHELL PDC LT 18W TAL
2	BJ3PDCLTM16	J3 FOAM PDC LT 16W MED	3	SJ3PDCLTT20	J3 SHELL PDC LT 20W TAL
2	BJ3PDCLTT16	J3 FOAM PDC LT 16W TAL			

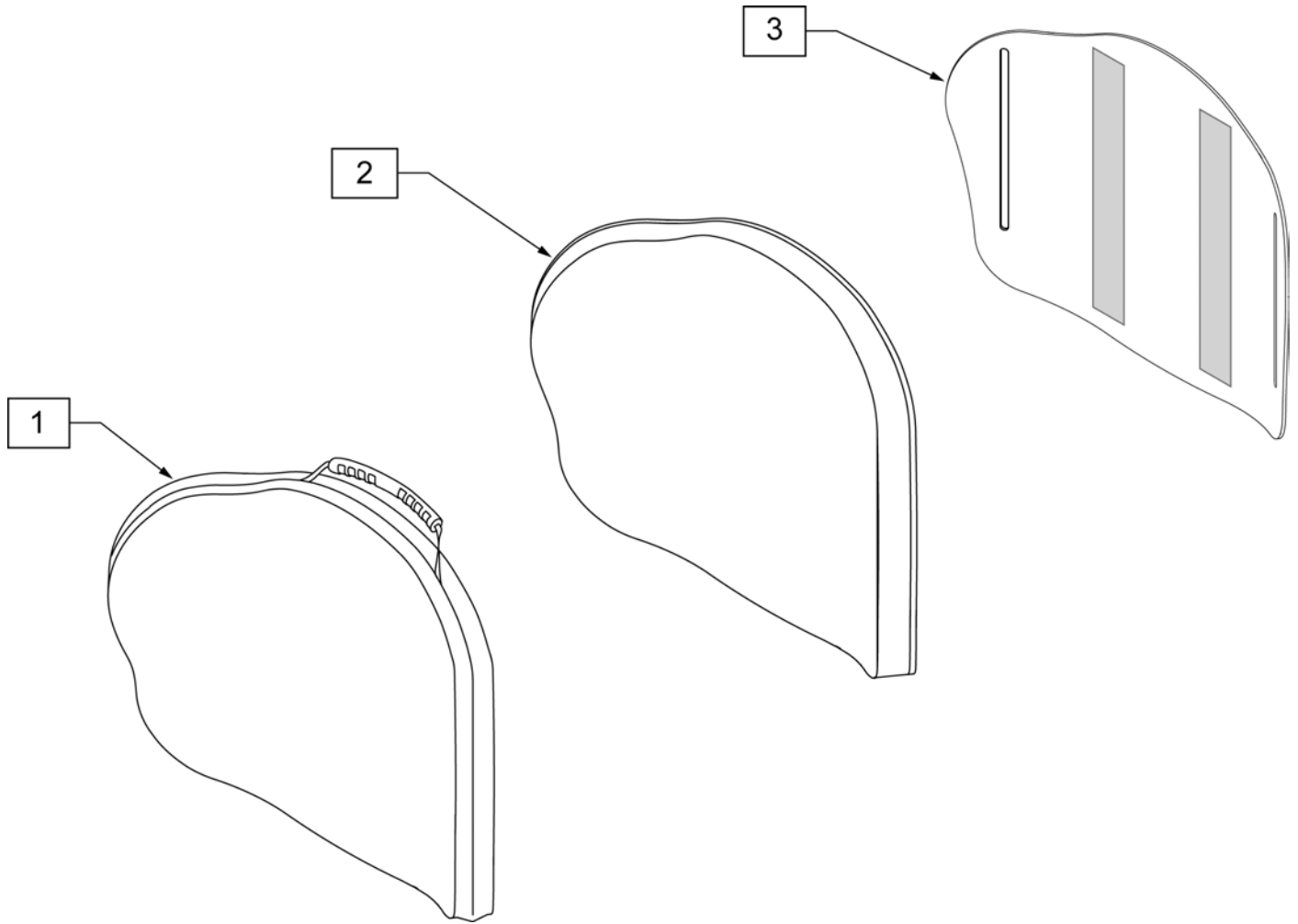
NOTE: Parts only, for complete Backrest see J3 Back order form.



Pos.	Item Number	Description	Pos.	Item Number	Description
1	CJ3PAMTS12	J3 CVR POS MT 12W STD	2	BJ3PAMTM12	J3 FOAM POS MT 12W MED
1	CJ3PAMTM12	J3 CVR POS MT 12W MED	2	BJ3PAMTT12	J3 FOAM POS MT 12W TAL
1	CJ3PAMTT12	J3 CVR POS MT 12W TAL	2	BJ3PAMTS14	J3 FOAM, POS MT 14W STD
1	CJ3PAMTS14	J3 CVR, POS MT 14W STD	2	BJ3PAMTM14	J3 FOAM, POS MT 14W MED
1	CJ3PAMTM14	J3 CVR, POS MT 14W MED	2	BJ3PAMTT14	J3 FOAM, POS MT 14W TALL
1	CJ3PAMTT14	J3 CVR, POS MT 14W TALL	2	BJ3PAMTS16	J3 FOAM, POS MT 16W STD
1	CJ3PAMTS16	J3 CVR, POS MT 16W STD	2	BJ3PAMTM16	J3 FOAM, POS MT 16W MED
1	CJ3PAMTM16	J3 CVR, POS MT 16W MED	2	BJ3PAMTT16	J3 FOAM, POS MT 16W TALL
1	CJ3PAMTT16	J3 CVR, POS MT 16W TALL	2	BJ3PAMTS18	J3 FOAM, POS MT 18W STD
1	CJ3PAMTS18	J3 CVR, POS MT 18W STD	2	BJ3PAMTM18	J3 FOAM, POS MT 18W MED
1	CJ3PAMTM18	J3 CVR, POS MT 18W MED	2	BJ3PAMTT18	J3 FOAM, POS MT 18W TALL
1	CJ3PAMTT18	J3 CVR, POS MT 18W TALL	2	BJ3PAMTT20	J3 FOAM, POS MT 20W TALL
1	CJ3PAMTS20	J3 CVR, POS MT 20W STD	2	BJ3PAMTS20	J3 FOAM, POS MT 20W STD
1	CJ3PAMTM20	J3 CVR, POS MT 20W MED	3	SJ3PAMTS12	J3 SHELL POS MT 12W STD
1	CJ3PAMTT20	J3 CVR, POS MT 20W TALL	3	SJ3PAMTM12	J3 SHELL POS MT 12W MED
2	BJ3PAMTS12	J3 FOAM POS MT 12W STD	3	SJ3PAMTT12	J3 SHELL POS MT 12W TAL

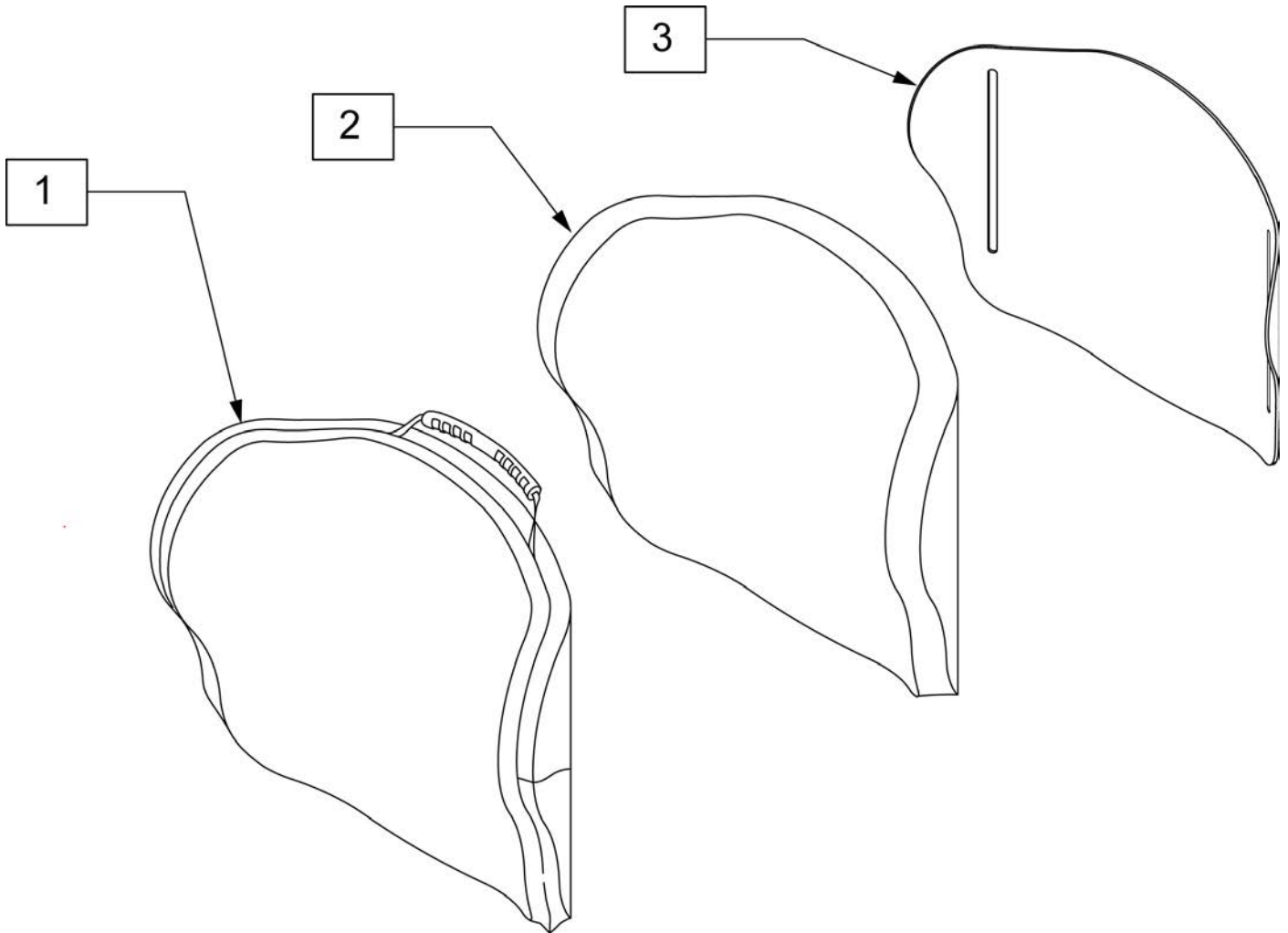
Pos.	Item Number	Description	Pos.	Item Number	Description
3	SJ3PAMTS14	J3 SHELL, POS MT 14W STD	3	SJ3PAMTS18	J3 SHELL, POS MT 18W STD
3	SJ3PAMTM14	J3 SHELL, POS MT 14W MED	3	SJ3PAMTM18	J3 SHELL, POS MT 18W MED
3	SJ3PAMTT14	J3 SHELL, POS MT 14W TALL	3	SJ3PAMTT18	J3 SHELL, POS MT 18W TALL
3	SJ3PAMTS16	J3 SHELL, POS MT 16W STD	3	SJ3PAMTS20	J3 SHELL, POS MT 20W STD
3	SJ3PAMTM16	J3 SHELL, POS MT 16W MED	3	SJ3PAMTM20	J3 SHELL, POS MT 20W MED
3	SJ3PAMTT16	J3 SHELL, POS MT 16W TALL	3	SJ3PAMTT20	J3 SHELL, POS MT 20W TALL

NOTE: Parts only, for complete Backrest see J3 Back order form.



Pos.	Item Number	Description
1	CJ3PAMTS22	J3HD CVR POS MT 22W STD
1	CJ3PAMTT22	J3HD CVR POS MT 22W TAL
1	CJ3PAMTS24	J3HD CVR POS MT 24W STD
1	CJ3PAMTT24	J3HD CVR POS MT 24W TAL
1	CJ3PAMTS26	J3HD CVR POS MT 26W STD
1	CJ3PAMTT26	J3HD CVR POS MT 26W TAL
2	BJ3PAMTS22	J3HD FOAM POS MT 22W STD
2	BJ3PAMTT22	J3HD FOAM POS MT 22W TAL
2	BJ3PAMTS24	J3HD FOAM POS MT 24W STD
2	BJ3PAMTT24	J3HD FOAM POS MT 24W TAL
2	BJ3PAMTS26	J3HD FOAM POS MT 26W STD
2	BJ3PAMTT26	J3HD FOAM POS MT 26W TAL
3	SJ3PAMTS22	J3HD SHELL POS MT 22W STD
3	SJ3PAMTT22	J3HD SHELL POS MT 22W TAL
3	SJ3PAMTS24	J3HD SHELL POS MT 24W STD
3	SJ3PAMTT24	J3HD SHELL POS MT 24W TAL
3	SJ3PAMTS26	J3HD SHELL POS MT 26W STD
3	SJ3PAMTT26	J3HD SHELL POS MT 26W TAL

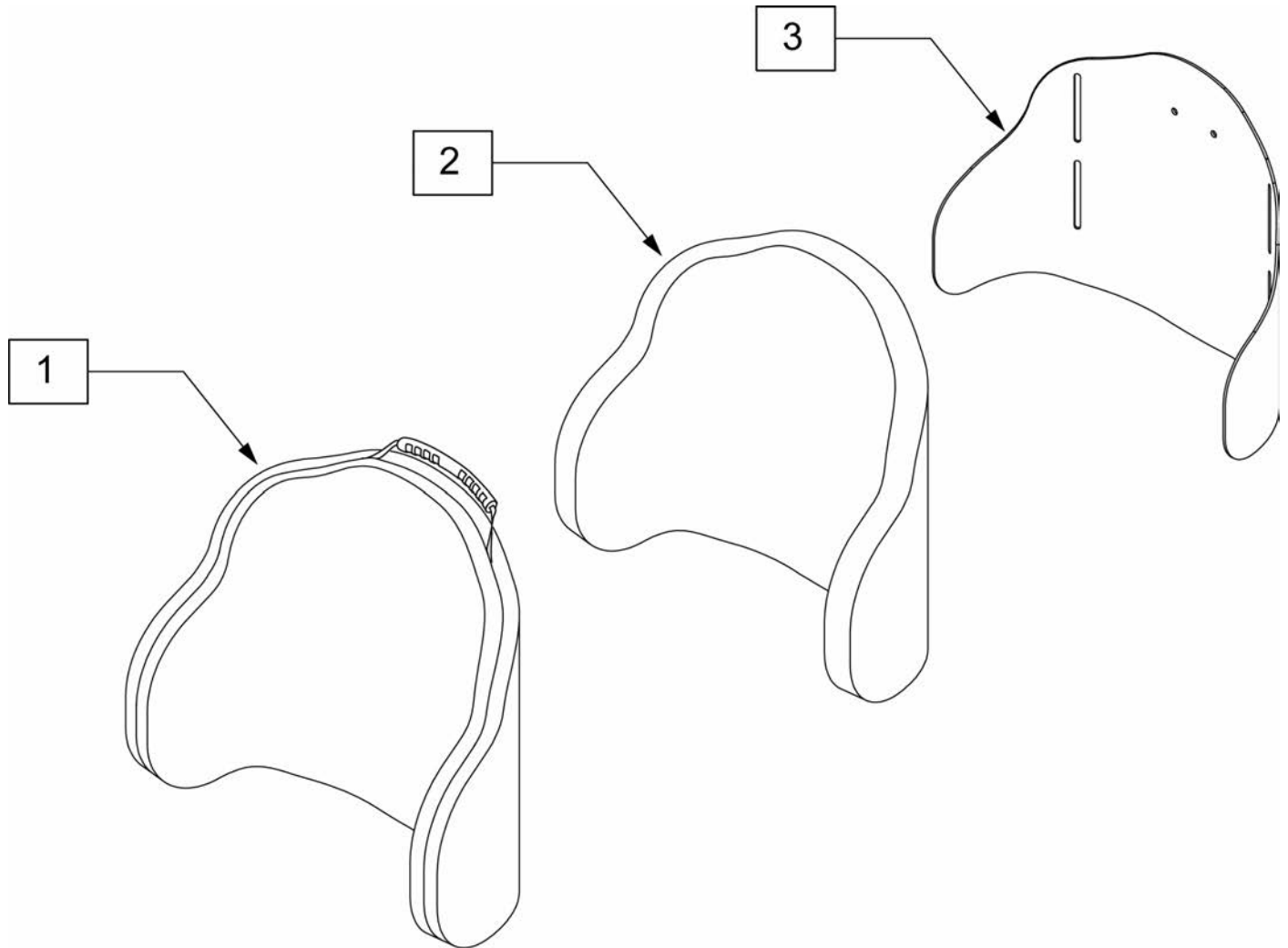
Parts only, for complete Backrest see J3 Back orderform.



Pos.	Item Number	Description	Pos.	Item Number	Description
1	CJ3PLMST12	J3 CVR SHAL MT 12W STD	2	BJ3PLMTM12	J3 FOAM SHAL MT 12W MED
1	CJ3PLMTM12	J3 CVR SHAL MT 12W MED	2	BJ3PLMTT12	J3 FOAM SHAL MT 12W TAL
1	CJ3PLMTT12	J3 CVR SHAL MT 12W TAL	2	BJ3PLMST14	J3 FOAM, SHAL MT 14W STD
1	CJ3PLMST14	J3 CVR, SHAL MT 14W STD	2	BJ3PLMTM14	J3 FOAM, SHAL MT 14W MED
1	CJ3PLMTM14	J3 CVR, SHAL MT 14W MED	2	BJ3PLMTT14	J3 FOAM, SHAL MT 14W TALL
1	CJ3PLMTT14	J3 CVR, SHAL MT 14W TALL	2	BJ3PLMST16	J3 FOAM, SHAL MT 16W STD
1	CJ3PLMST16	J3 CVR, SHAL MT 16W STD	2	BJ3PLMTM16	J3 FOAM, SHAL MT 16W MED
1	CJ3PLMTM16	J3 CVR, SHAL MT 16W MED	2	BJ3PLMTT16	J3 FOAM, SHAL MT 16W TALL
1	CJ3PLMTT16	J3 CVR, SHAL MT 16W TALL	2	BJ3PLMST18	J3 FOAM, SHAL MT 18W STD
1	CJ3PLMST18	J3 CVR, SHAL MT 18W STD	2	BJ3PLMTM18	J3 FOAM, SHAL MT 18W MED
1	CJ3PLMTM18	J3 CVR, SHAL MT 18W MED	2	BJ3PLMTT18	J3 FOAM, SHAL MT 18W TALL
1	CJ3PLMTT18	J3 CVR, SHAL MT 18W TALL	2	BJ3PLMST20	J3 FOAM, SHAL MT 20W STD
1	CJ3PLMST20	J3 CVR, SHAL MT 20W STD	2	BJ3PLMTM20	J3 FOAM, SHAL MT 20W MED
1	CJ3PLMTM20	J3 CVR, SHAL MT 20W MED	2	BJ3PLMTT20	J3 FOAM, SHAL MT 20W TALL
1	CJ3PLMTT20	J3 CVR, SHAL MT 20W TALL	3	SJ3PLMST12	J3 SHELL SHAL MT 12W STD
2	BJ3PLMST12	J3 FOAM SHAL MT 12W STD	3	SJ3PLMTM12	J3 SHELL SHAL MT 12W MED

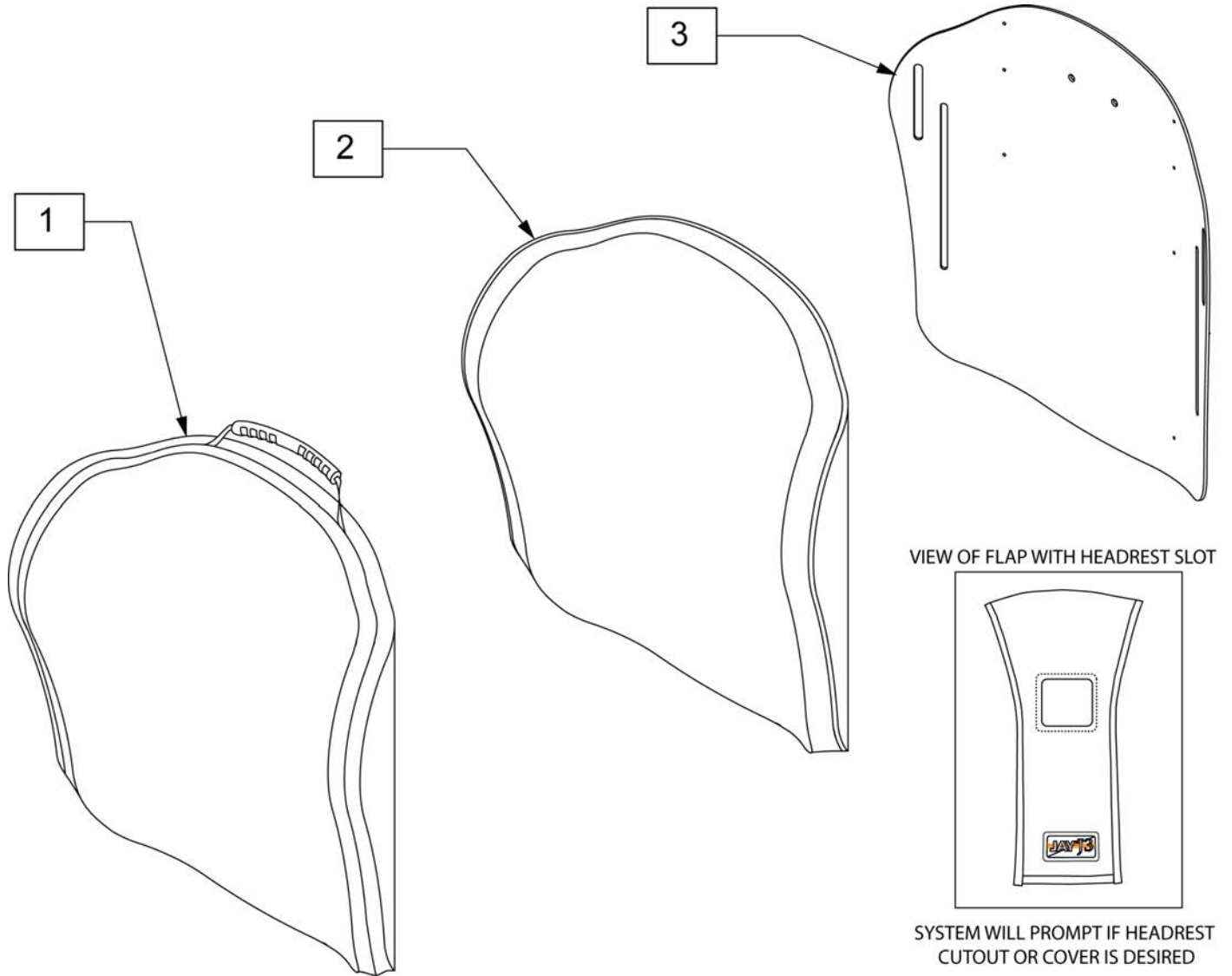
Pos.	Item Number	Description	Pos.	Item Number	Description
3	SJ3PLMTT12	J3 SHELL SHAL MT 12W TAL	3	SJ3PLMTS18	J3 SHELL, SHAL MT 18W STD
3	SJ3PLMTS14	J3 SHELL, SHAL MT 14W STD	3	SJ3PLMTM18	J3 SHELL, SHAL MT 18W MED
3	SJ3PLMTM14	J3 SHELL, SHAL MT 14W MED	3	SJ3PLMTT18	J3 SHELL, SHAL MT 18W TALL
3	SJ3PLMTT14	J3 SHELL, SHAL MT 14W TALL	3	SJ3PLMTS20	J3 SHELL, SHAL MT 20W STD
3	SJ3PLMTS16	J3 SHELL, SHAL MT 16W STD	3	SJ3PLMTM20	J3 SHELL, SHAL MT 20W MED
3	SJ3PLMTM16	J3 SHELL, SHAL MT 16W MED	3	SJ3PLMTT20	J3 SHELL, SHAL MT 20W TALL
3	SJ3PLMTT16	J3 SHELL, SHAL MT 16W TALL			

NOTE: Parts only, for complete Backrest see J3 Back order form.



Pos.	Item Number	Description	Pos.	Item Number	Description
1	CJ3PDCMTS14	J3 CVR PDC MT 14W STD	2	BJ3PDCMTS18	J3 FOAM PDC MT 18W STD
1	CJ3PDCMTT14	J3 CVR PDC MT 14W TAL	2	BJ3PDCMTT18	J3 FOAM PDC MT 18W TAL
1	CJ3PDCMTS16	J3 CVR PDC MT 16W STD	2	BJ3PDCMTS20	J3 FOAM PDC MT 20W STD
1	CJ3PDCMTT16	J3 CVR PDC MT 16W TAL	2	BJ3PDCMTT20	J3 FOAM PDC MT 20W TAL
1	CJ3PDCMTS18	J3 CVR PDC MT 18W STD	3	SJ3PDCMTS14	J3 SHELL PDC MT 14W STD
1	CJ3PDCMTT18	J3 CVR PDC MT 18W TAL	3	SJ3PDCMTT14	J3 SHELL PDC MT 14W TAL
1	CJ3PDCMTS20	J3 CVR PDC MT 20W STD	3	SJ3PDCMTS16	J3 SHELL PDC MT 16W STD
1	CJ3PDCMTT20	J3 CVR PDC MT 20W TAL	3	SJ3PDCMTT16	J3 SHELL PDC MT 16W TAL
2	BJ3PDCMTS14	J3 FOAM PDC MT 14W STD	3	SJ3PDCMTS18	J3 SHELL PDC MT 18W STD
2	BJ3PDCMTT14	J3 FOAM PDC MT 14W TAL	3	SJ3PDCMTT18	J3 SHELL PDC MT 18W TAL
2	BJ3PDCMTS16	J3 FOAM PDC MT 16W STD	3	SJ3PDCMTS20	J3 SHELL PDC MT 20W STD
2	BJ3PDCMTT16	J3 FOAM PDC MT 16W TAL	3	SJ3PDCMTT20	J3 SHELL PDC MT 20W TAL

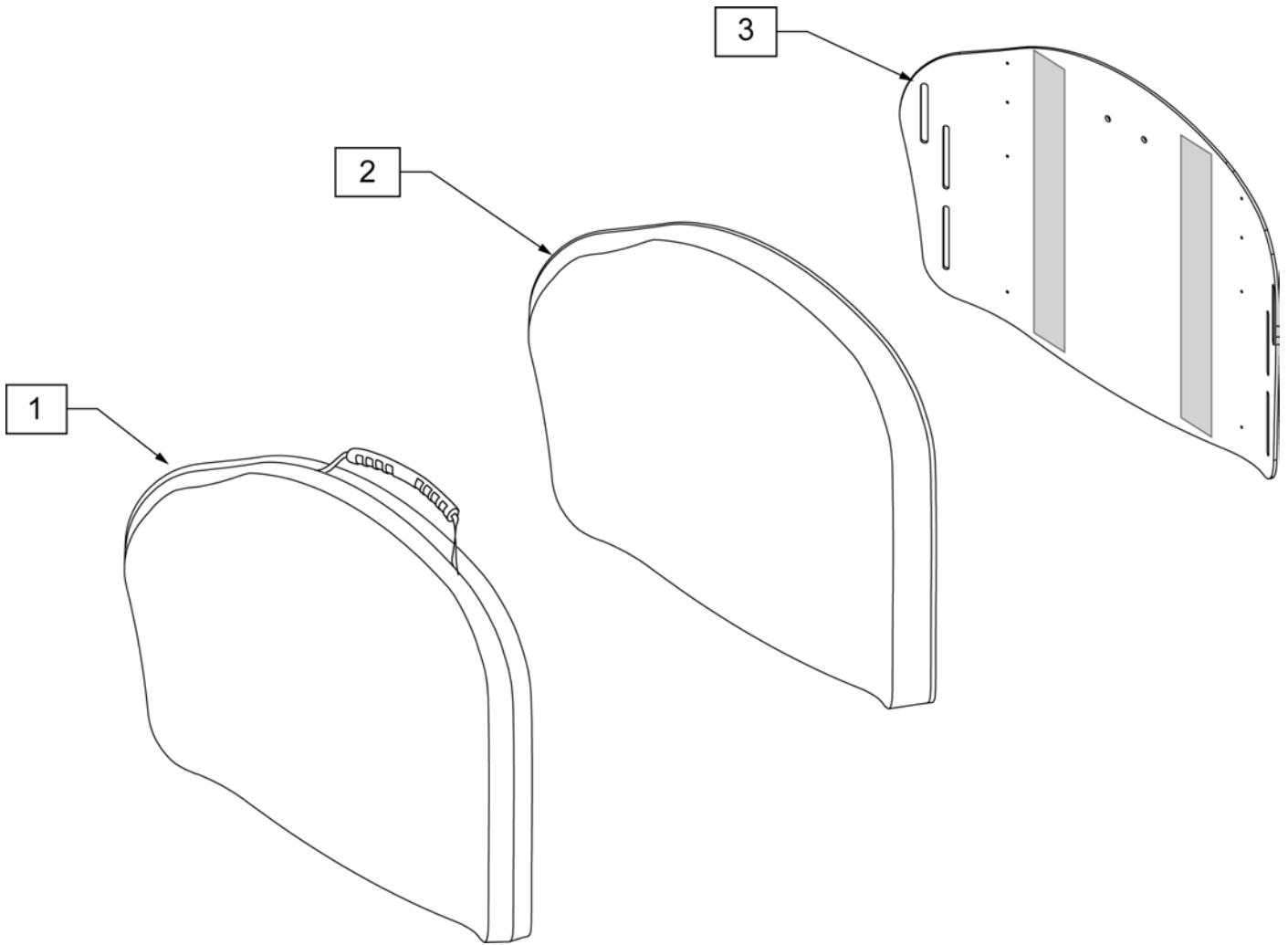
Parts only, for complete Backrest see J3 Back orderform.



Pos.	Item Number	Description	Pos.	Item Number	Description
1	CJ3PAUTS12	J3 CVR POS UT 12W STD	2	BJ3PAUTS12	J3 FOAM POS UT 12W STD
1	CJ3PAUTS14	J3 CVR, POS UT 14W STD	2	BJ3PAUTS14	J3 FOAM, POS UT 14W STD
1	CJ3PAUTM14	J3 CVR, POS UT 14W MED	2	BJ3PAUTM14	J3 FOAM, POS UT 14W MED
1	CJ3PAUTT14	J3 CVR, POS UT 14W TALL	2	BJ3PAUTT14	J3 FOAM, POS UT 14W TALL
1	CJ3PAUTS16	J3 CVR, POS UT 16W STD	2	BJ3PAUTS16	J3 FOAM, POS UT 16W STD
1	CJ3PAUTM16	J3 CVR, POS UT 16W MED	2	BJ3PAUTM16	J3 FOAM, POS UT 16W MED
1	CJ3PAUTT16	J3 CVR, POS UT 16W TALL	2	BJ3PAUTT16	J3 FOAM, POS UT 16W TALL
1	CJ3PAUTS18	J3 CVR, POS UT 18W STD	2	BJ3PAUTS18	J3 FOAM, POS UT 18W STD
1	CJ3PAUTM18	J3 CVR, POS UT 18W MED	2	BJ3PAUTM18	J3 FOAM, POS UT 18W MED
1	CJ3PAUTT18	J3 CVR, POS UT 18W TALL	2	BJ3PAUTT18	J3 FOAM, POS UT 18W TALL
1	CJ3PAUTS20	J3 CVR, POS UT 20W STD	2	BJ3PAUTS20	J3 FOAM, POS UT 20W STD
1	CJ3PAUTM20	J3 CVR, POS UT 20W MED	2	BJ3PAUTM20	J3 FOAM, POS UT 20W MED
1	CJ3PAUTT20	J3 CVR, POS UT 20W TALL	2	BJ3PAUTT20	J3 FOAM, POS UT 20W TALL

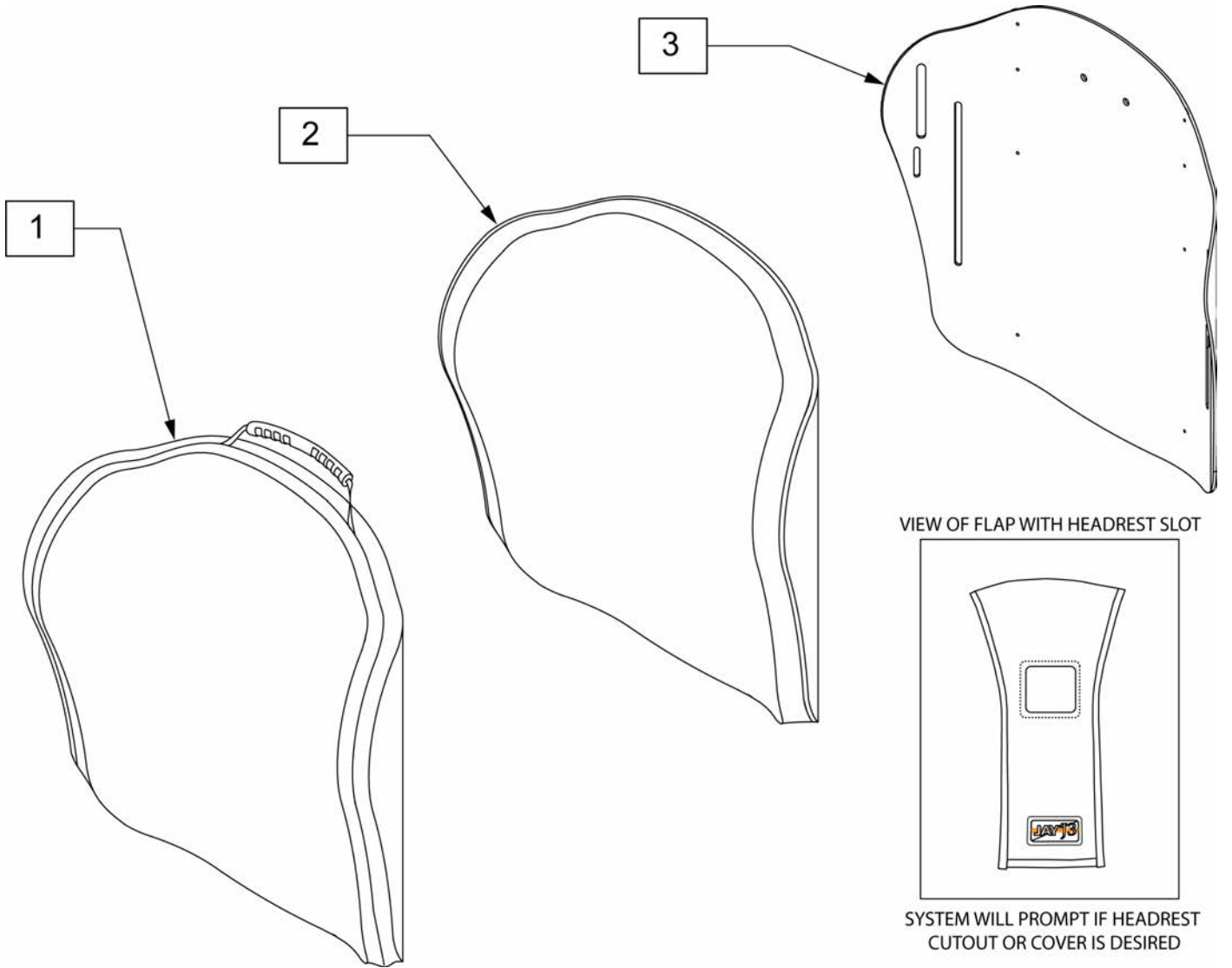
Pos.	Item Number	Description	Pos.	Item Number	Description
3	SJ3PAUTS12	J3 SHELL POS UT 12W STD	3	SJ3PAUTS18	J3 SHELL, POS UT 18W STD
3	SJ3PAUTS14	J3 SHELL, POS UT 14W STD	3	SJ3PAUTM18	J3 SHELL, POS UT 18W MED
3	SJ3PAUTM14	J3 SHELL, POS UT 14W MED	3	SJ3PAUTT18	J3 SHELL, POS UT 18W TALL
3	SJ3PAUTT14	J3 SHELL, POS UT 14W TALL	3	SJ3PAUTS20	J3 SHELL, POS UT 20W STD
3	SJ3PAUTS16	J3 SHELL, POS UT 16W STD	3	SJ3PAUTM20	J3 SHELL, POS UT 20W MED
3	SJ3PAUTM16	J3 SHELL, POS UT 16W MED	3	SJ3PAUTT20	J3 SHELL, POS UT 20W TALL
3	SJ3PAUTT16	J3 SHELL, POS UT 16W TALL			

NOTE: Parts only, for complete Backrest see J3 Back order form.



Pos.	Item Number	Description
1	CJ3PAUTM22	J3HD CVR POS UT 22W MED
1	CJ3PAUTM24	J3HD CVR POS UT 24W MED
2	BJ3PAUTM22	J3HD FOAM POS UT 22W MED
2	BJ3PAUTM24	J3HD FOAM POS UT 24W MED
3	SJ3PAUTM22	J3HD SHELL POS UT 22W MED
3	SJ3PAUTM24	J3HD SHELL POS UT 24W MED

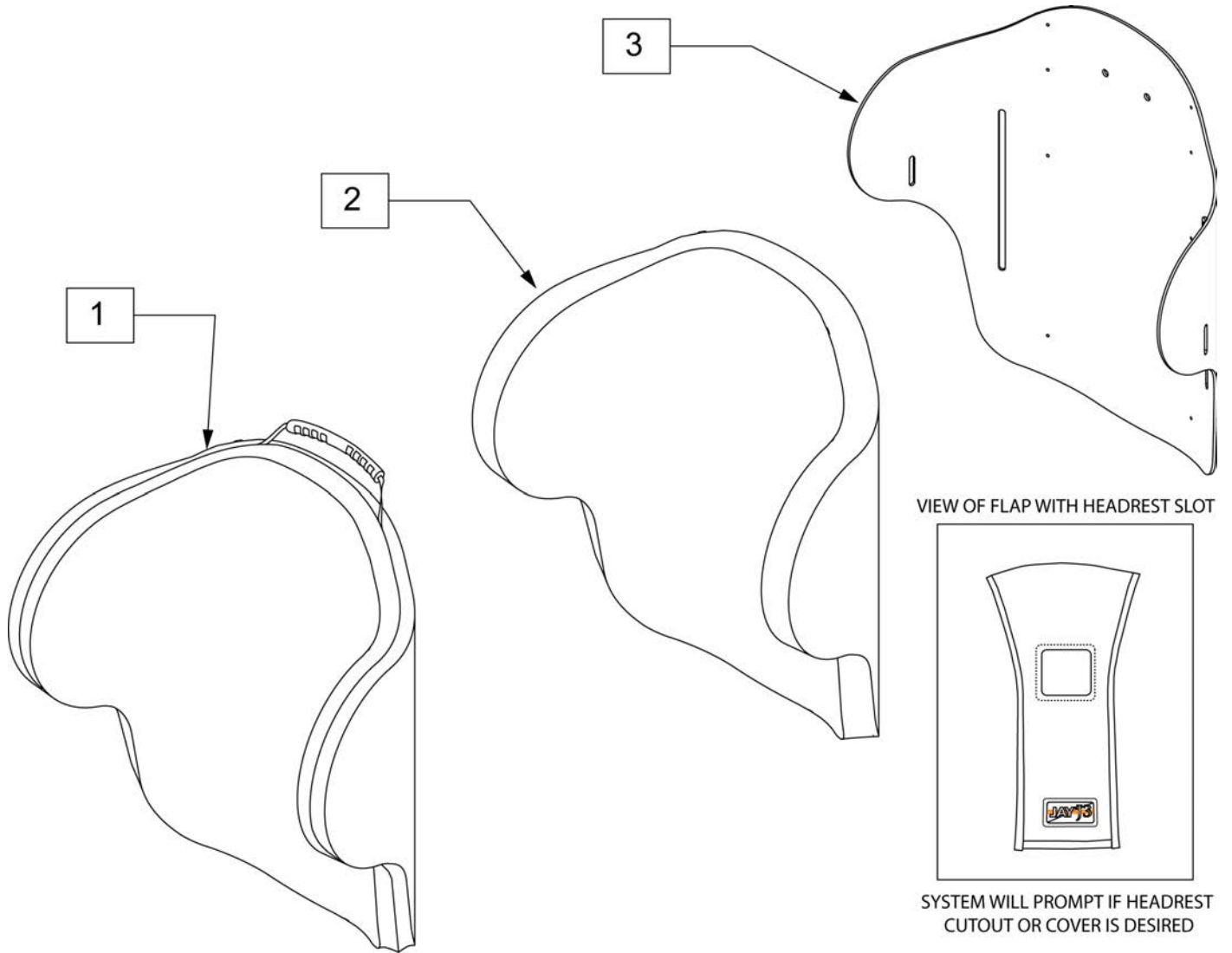
Parts only, for complete Backrest see J3 Back orderform.



Pos.	Item Number	Description	Pos.	Item Number	Description
1	CJ3PLUTS12	J3 CVR, SHAL UT 12W STD	2	BJ3PLUTS14	J3 FOAM, SHAL UT 14W STD
1	CJ3PLUTS14	J3 CVR, SHAL UT 14W STD	2	BJ3PLUTM14	J3 FOAM, SHAL UT 14W MED
1	CJ3PLUTM14	J3 CVR, SHAL UT 14W MED	2	BJ3PLUTT14	J3 FOAM, SHAL UT 14W TALL
1	CJ3PLUTT14	J3 CVR, SHAL UT 14W TALL	2	BJ3PLUTS16	J3 FOAM, SHAL UT 16W STD
1	CJ3PLUTS16	J3 CVR, SHAL UT 16W STD	2	BJ3PLUTM16	J3 FOAM, SHAL UT 16W MED
1	CJ3PLUTM16	J3 CVR, SHAL UT 16W MED	2	BJ3PLUTT16	J3 FOAM, SHAL UT 16W TALL
1	CJ3PLUTT16	J3 CVR, SHAL UT 16W TALL	2	BJ3PLUTS18	J3 FOAM, SHAL UT 18W STD
1	CJ3PLUTS18	J3 CVR, SHAL UT 18W STD	2	BJ3PLUTM18	J3 FOAM, SHAL UT 18W MED
1	CJ3PLUTM18	J3 CVR, SHAL UT 18W MED	2	BJ3PLUTT18	J3 FOAM, SHAL UT 18W TALL
1	CJ3PLUTT18	J3 CVR, SHAL UT 18W TALL	2	BJ3PLUTS20	J3 FOAM, SHAL UT 20W STD
1	CJ3PLUTS20	J3 CVR, SHAL UT 20W STD	2	BJ3PLUTM20	J3 FOAM, SHAL UT 20W MED
1	CJ3PLUTM20	J3 CVR, SHAL UT 20W MED	2	BJ3PLUTT20	J3 FOAM, SHAL UT 20W TALL
1	CJ3PLUTT20	J3 CVR, SHAL UT 20W TALL	3	SJ3PLUTS12	J3 SHELL SHAL UT 12W STD
2	BJ3PLUTS12	J3 FOAM SHAL UT 12W STD	3	SJ3PLUTS14	J3 SHELL, SHAL UT 14W STD

Pos.	Item Number	Description	Pos.	Item Number	Description
3	SJ3PLUTM14	J3 SHELL, SHAL UT 14W MED	3	SJ3PLUTM18	J3 SHELL, SHAL UT 18W MED
3	SJ3PLUTT14	J3 SHELL, SHAL UT 14W TALL	3	SJ3PLUTT18	J3 SHELL, SHAL UT 18W TALL
3	SJ3PLUTS16	J3 SHELL, SHAL UT 16W STD	3	SJ3PLUTS20	J3 SHELL, SHAL UT 20W STD
3	SJ3PLUTM16	J3 SHELL, SHAL UT 16W MED	3	SJ3PLUTM20	J3 SHELL, SHAL UT 20W MED
3	SJ3PLUTT16	J3 SHELL, SHAL UT 16W TALL	3	SJ3PLUTT20	J3 SHELL, SHAL UT 20W TALL
3	SJ3PLUTS18	J3 SHELL, SHAL UT 18W STD			

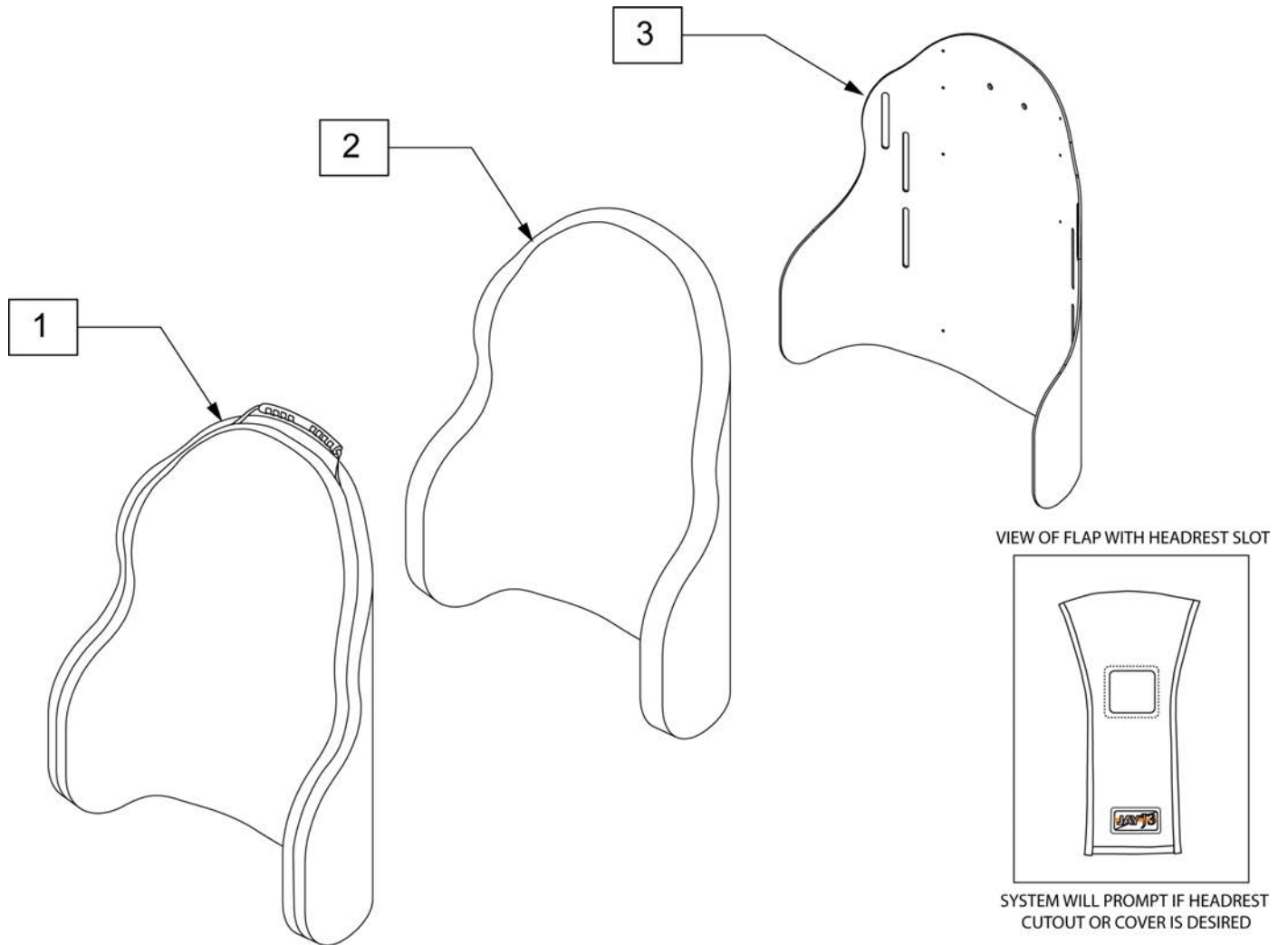
Parts only, for complete Backrest see J3 Back orderform.



Pos.	Item Number	Description	Pos.	Item Number	Description
1	CJ3PDLUTS14	J3 CVR, DEEP UT 14W STD	2	BJ3PDLUTT14	J3 FOAM, DEEP UT 14W TALL
1	CJ3PDLUTM14	J3 CVR, DEEP UT 14W MED	2	BJ3PDLUTS16	J3 FOAM, DEEP UT 16W STD
1	CJ3PDLUTT14	J3 CVR, DEEP UT 14W TALL	2	BJ3PDLUTM16	J3 FOAM, DEEP UT 16W MED
1	CJ3PDLUTS16	J3 CVR, DEEP UT 16W STD	2	BJ3PDLUTT16	J3 FOAM, DEEP UT 16W TALL
1	CJ3PDLUTM16	J3 CVR, DEEP UT 16W MED	2	BJ3PDLUTS18	J3 FOAM, DEEP UT 18W STD
1	CJ3PDLUTT16	J3 CVR, DEEP UT 16W TALL	2	BJ3PDLUTM18	J3 FOAM, DEEP UT 18W MED
1	CJ3PDLUTS18	J3 CVR, DEEP UT 18W STD	2	BJ3PDLUTT18	J3 FOAM, DEEP UT 18W TALL
1	CJ3PDLUTM18	J3 CVR, DEEP UT 18W MED	2	BJ3PDLUTS20	J3 FOAM, DEEP UT 20W STD
1	CJ3PDLUTT18	J3 CVR, DEEP UT 18W TALL	2	BJ3PDLUTM20	J3 FOAM, DEEP UT 20W MED
1	CJ3PDLUTS20	J3 CVR, DEEP UT 20W STD	2	BJ3PDLUTT20	J3 FOAM, DEEP UT 20W TALL
1	CJ3PDLUTM20	J3 CVR, DEEP UT 20W MED	3	SJ3PDLUTS14	J3 SHELL, DEEP UT 14W STD
1	CJ3PDLUTT20	J3 CVR, DEEP UT 20W TALL	3	SJ3PDLUTM14	J3 SHELL, DEEP UT 14W MED
2	BJ3PDLUTS14	J3 FOAM, DEEP UT 14W STD	3	SJ3PDLUTT14	J3 SHELL, DEEP UT 14W TALL
2	BJ3PDLUTM14	J3 FOAM, DEEP UT 14W MED	3	SJ3PDLUTS16	J3 SHELL, DEEP UT 16W STD

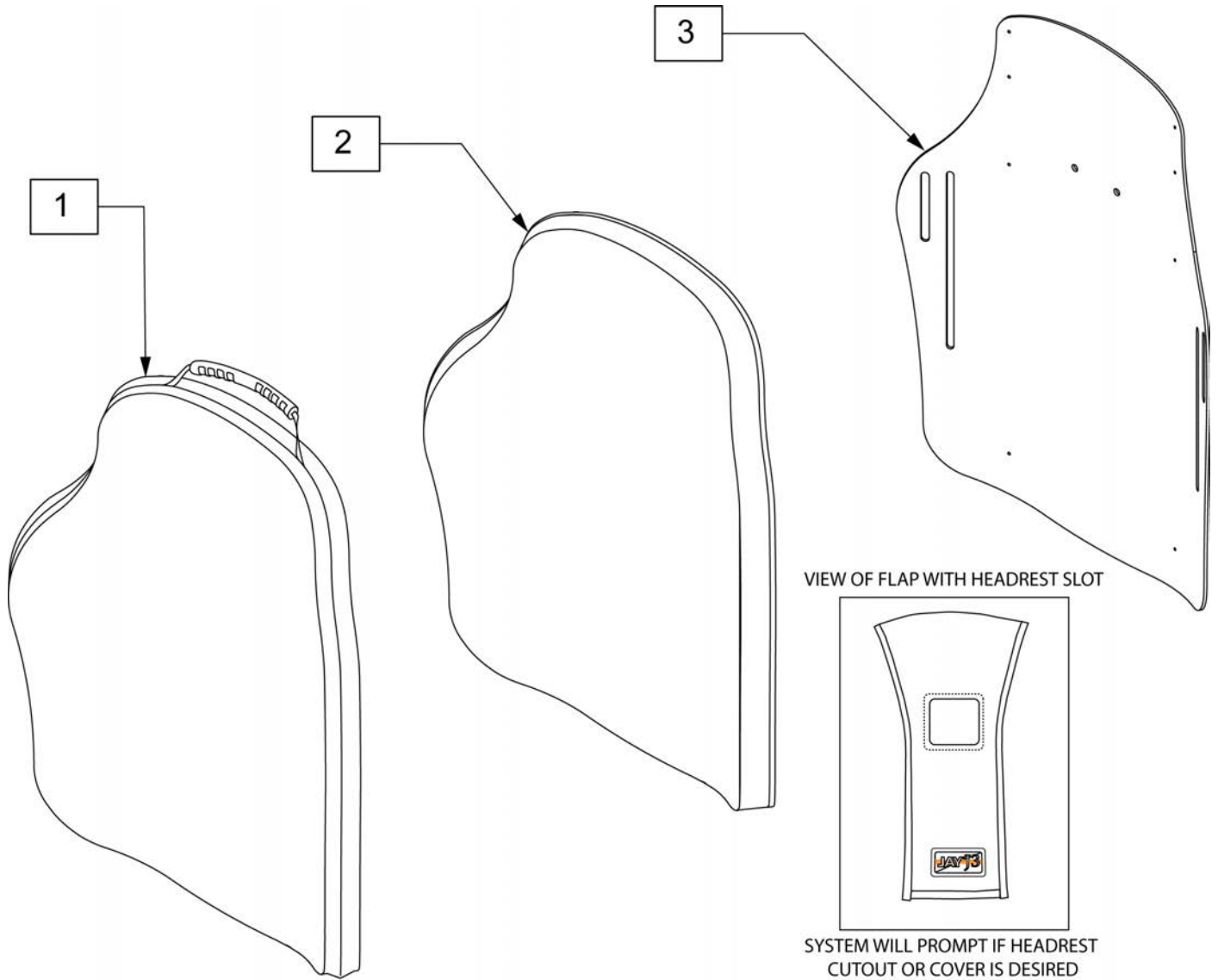
Pos.	Item Number	Description	Pos.	Item Number	Description
3	SJ3PDLUTM16	J3 SHELL, DEEP UT 16W MED	3	SJ3PDLUTT18	J3 SHELL, DEEP UT 18W TALL
3	SJ3PDLUTT16	J3 SHELL, DEEP UT 16W TALL	3	SJ3PDLUTS20	J3 SHELL, DEEP UT 20W STD
3	SJ3PDLUTS18	J3 SHELL, DEEP UT 18W STD	3	SJ3PDLUTM20	J3 SHELL, DEEP UT 20W MED
3	SJ3PDLUTM18	J3 SHELL, DEEP UT 18W MED	3	SJ3PDLUTT20	J3 SHELL, DEEP UT 20W TALL

NOTE: Parts only, for complete Backrest see J3 Back order form.



Pos.	Item Number	Description
1	CJ3PDCUTM14	J3 CVR PDC UT 14W MED
1	CJ3PDCUTM16	J3 CVR PDC UT 16W MED
1	CJ3PDCUTM18	J3 CVR PDC UT 18W MED
1	CJ3PDCUTM20	J3 CVR PDC UT 20W MED
2	BJ3PDCUTM14	J3 FOAM PDC UT 14W MED
2	BJ3PDCUTM16	J3 FOAM PDC UT 16W MED
2	BJ3PDCUTM18	J3 FOAM PDC UT 18W MED
2	BJ3PDCUTM20	J3 FOAM PDC UT 20W MED
3	SJ3PDCUTM14	J3 SHELL PDC UT 14W MED
3	SJ3PDCUTM16	J3 SHELL PDC UT 16W MED
3	SJ3PDCUTM18	J3 SHELL PDC UT 18W MED
3	SJ3PDCUTM20	J3 SHELL PDC UT 20W MED

Parts only, for complete Backrest see J3 Back orderform.

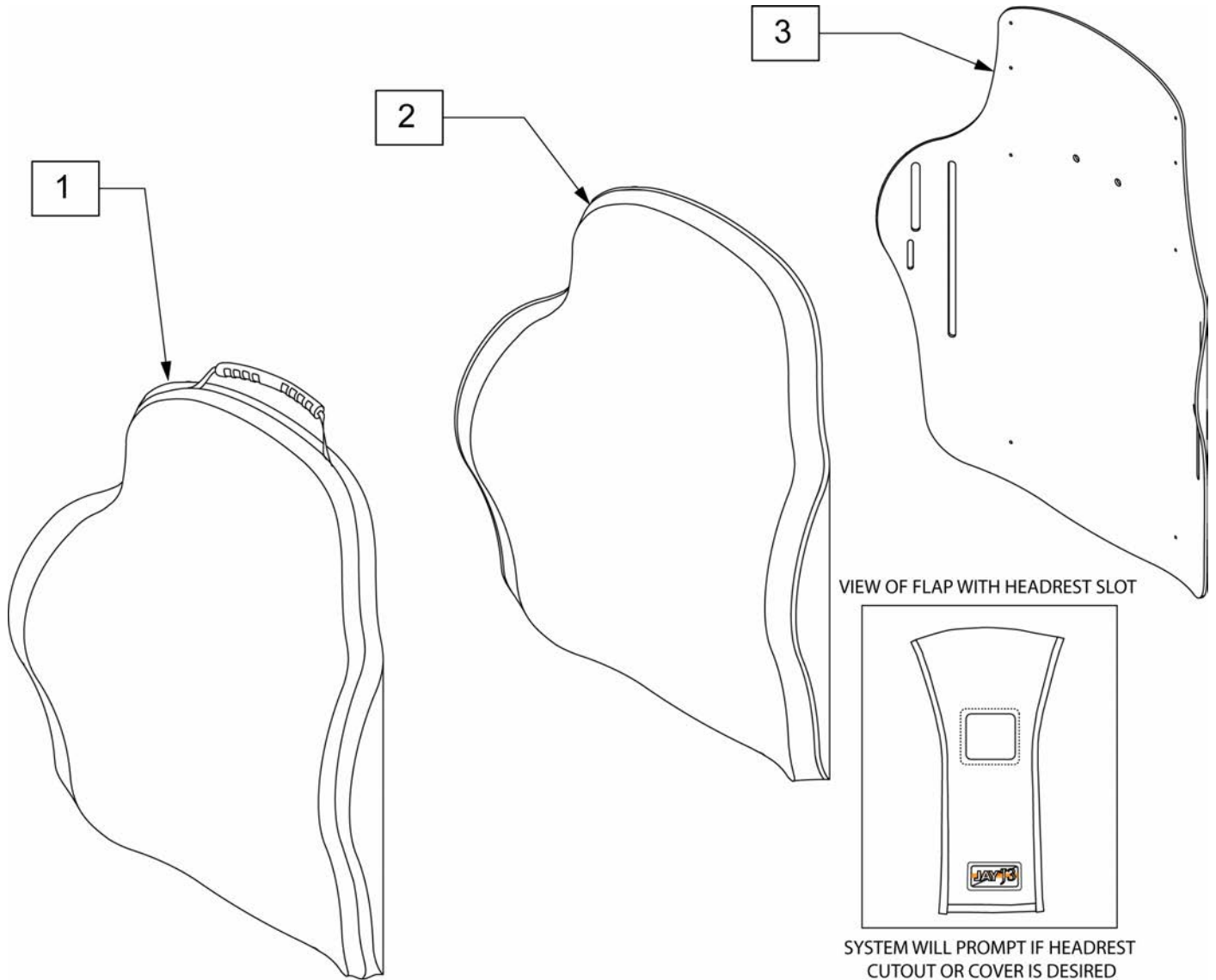


Pos.	Item Number	Description	Pos.	Item Number	Description
1	CJ3PASHS14	J3 CVR, POS SH 14W STD	2	BJ3PASHM18	J3 FOAM, POS SH 18W MED
1	CJ3PASHS16	J3 CVR, POS SH 16W STD	2	BJ3PASHT18	J3 FOAM, POS SH 18W TALL
1	CJ3PASHM16	J3 CVR, POS SH 16W MED	2	BJ3PASHS20	J3 FOAM, POS SH 20W STD
1	CJ3PASHS18	J3 CVR, POS SH 18W STD	2	BJ3PASHM20	J3 FOAM, POS SH 20W MED
1	CJ3PASHM18	J3 CVR, POS SH 18W MED	2	BJ3PASHT20	J3 FOAM, POS SH 20W TALL
1	CJ3PASHT18	J3 CVR, POS SH 18W TALL	3	SJ3PASHS14	J3 SHELL, POS SH 14W STD
1	CJ3PASHS20	J3 CVR, POS SH 20W STD	3	SJ3PASHS16	J3 SHELL, POS SH 16W STD
1	CJ3PASHM20	J3 CVR, POS SH 20W MED	3	SJ3PASHM16	J3 SHELL, POS SH 16W MED
1	CJ3PASHT20	J3 CVR, POS SH 20W TALL	3	SJ3PASHS18	J3 SHELL, POS SH 18W STD
2	BJ3PASHS14	J3 FOAM, POS SH 14W STD	3	SJ3PASHM18	J3 SHELL, POS SH 18W MED
2	BJ3PASHS16	J3 FOAM, POS SH 16W STD	3	SJ3PASHT18	J3 SHELL, POS SH 18W TALL
2	BJ3PASHM16	J3 FOAM, POS SH 16W MED	3	SJ3PASHS20	J3 SHELL, POS SH 20W STD
2	BJ3PASHS18	J3 FOAM, POS SH 18W STD	3	SJ3PASHM20	J3 SHELL, POS SH 20W MED

Pos.	Item Number	Description
3	SJ3PASHT20	J3 SHELL, POS SH 20W TALL

[04/2008]

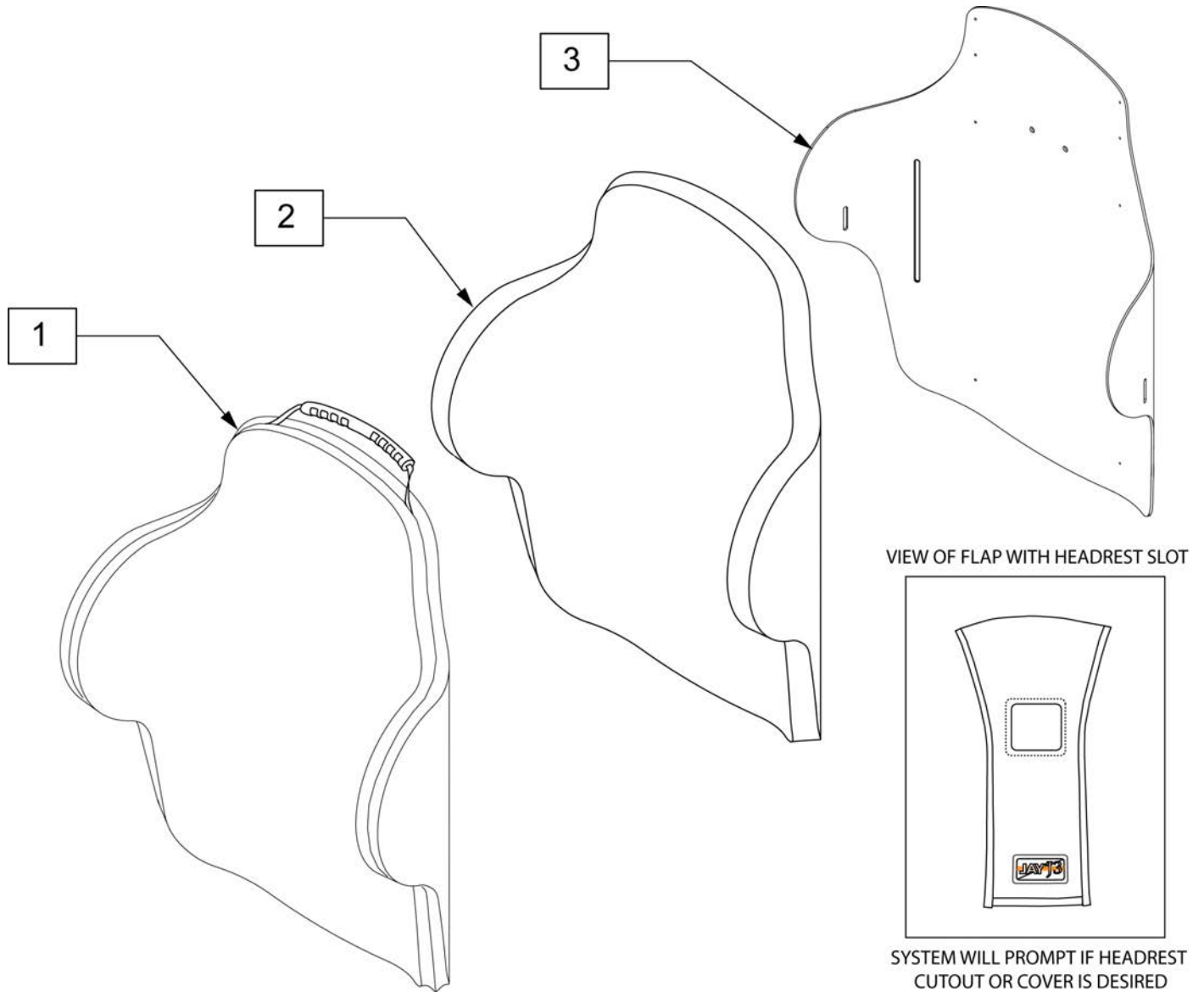
Parts only, for complete Backrest see J3 Back orderform.



Pos.	Item Number	Description	Pos.	Item Number	Description
1	CJ3PLSHS14	J3 CVR, SHAL SH 14W STD	2	BJ3PLSHM18	J3 FOAM, SHAL SH 18W MED
1	CJ3PLSHS16	J3 CVR, SHAL SH 16W STD	2	BJ3PLSHT18	J3 FOAM, SHAL SH 18W TALL
1	CJ3PLSHM16	J3 CVR, SHAL SH 16W MED	2	BJ3PLSHS20	J3 FOAM, SHAL SH 20W STD
1	CJ3PLSHS18	J3 CVR, SHAL SH 18W STD	2	BJ3PLSHM20	J3 FOAM, SHAL SH 20W MED
1	CJ3PLSHM18	J3 CVR, SHAL SH 18W MED	2	BJ3PLSHT20	J3 FOAM, SHAL SH 20W TALL
1	CJ3PLSHT18	J3 CVR, SHAL SH 18W TALL	3	SJ3PLSHS14	J3 SHELL, SHAL SH 14W STD
1	CJ3PLSHS20	J3 CVR, SHAL SH 20W TALL	3	SJ3PLSHS16	J3 SHELL, SHAL SH 16W STD
1	CJ3PLSHM20	J3 CVR, SHAL SH 20W MED	3	SJ3PLSHM16	J3 SHELL, SHAL SH 16W MED
1	CJ3PLSHT20	J3 CVR, SHAL SH 20W TALL	3	SJ3PLSHS18	J3 SHELL, SHAL SH 18W STD
2	BJ3PLSHS14	J3 FOAM, SHAL SH 14W STD	3	SJ3PLSHM18	J3 SHELL, SHAL SH 18W MED
2	BJ3PLSHS16	J3 FOAM, SHAL SH 16W STD	3	SJ3PLSHT18	J3 SHELL, SHAL SH 18W TALL
2	BJ3PLSHM16	J3 FOAM, SHAL SH 16W MED	3	SJ3PLSHS20	J3 SHELL, SHAL SH 20W STD
2	BJ3PLSHS18	J3 FOAM, SHAL SH 18W STD	3	SJ3PLSHM20	J3 SHELL, SHAL SH 20W MED

Pos.	Item Number	Description
3	SJ3PLSHT20	J3 SHELL, SHAL SH 20W TALL

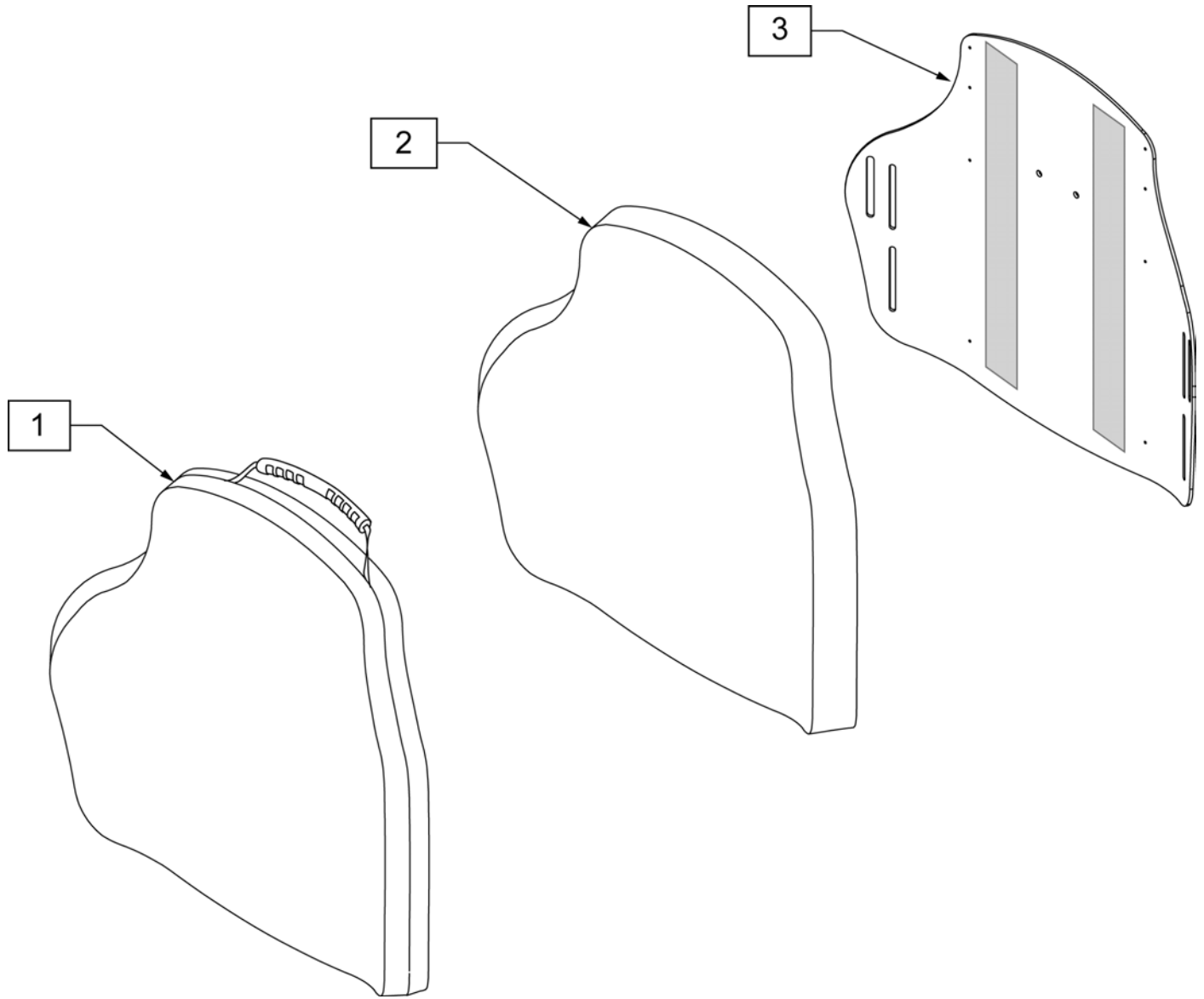
Parts only, for complete Backrest see J3 Back orderform.



Pos.	Item Number	Description	Pos.	Item Number	Description
1	CJ3PDLSHS14	J3 CVR, DEEP SH 14W STD	2	BJ3PDLSHS18	J3 FOAM, DEEP SH 18W STD
1	CJ3PDLSHS16	J3 CVR, DEEP SH 16W STD	2	BJ3PDLSHM18	J3 FOAM, DEEP SH 18W MED
1	CJ3PDLSHM16	J3 CVR, DEEP SH 16W MED	2	BJ3PDLSHT18	J3 FOAM, DEEP SH 18W TALL
1	CJ3PDLSHS18	J3 CVR, DEEP SH 18W STD	2	BJ3PDLSHS20	J3 FOAM, DEEP SH 20W STD
1	CJ3PDLSHM18	J3 CVR, DEEP SH 18W MED	2	BJ3PDLSHM20	J3 FOAM, DEEP SH 20W MED
1	CJ3PDLSHT18	J3 CVR, DEEP SH 18W TALL	2	BJ3PDLSHT20	J3 FOAM, DEEP SH 20W TALL
1	CJ3PDLSHS20	J3 CVR, DEEP SH 20W STD	3	SJ3PDLSHS14	J3 SHELL, DEEP SH 14W STD
1	CJ3PDLSHM20	J3 CVR, DEEP SH 20W MED	3	SJ3PDLSHS16	J3 SHELL, DEEP SH 16W STD
1	CJ3PDLSHT20	J3 CVR, DEEP SH 20W TALL	3	SJ3PDLSHM16	J3 SHELL, DEEP SH 16W MED
2	BJ3PDLSHS14	J3 FOAM, DEEP SH 14W STD	3	SJ3PDLSHS18	J3 SHELL, DEEP SH 18W STD
2	BJ3PDLSHS16	J3 FOAM, DEEP SH 16W STD	3	SJ3PDLSHM18	J3 SHELL, DEEP SH 18W MED
2	BJ3PDLSHM16	J3 FOAM, DEEP SH 16W MED	3	SJ3PDLSHT18	J3 SHELL, DEEP SH 18W TALL

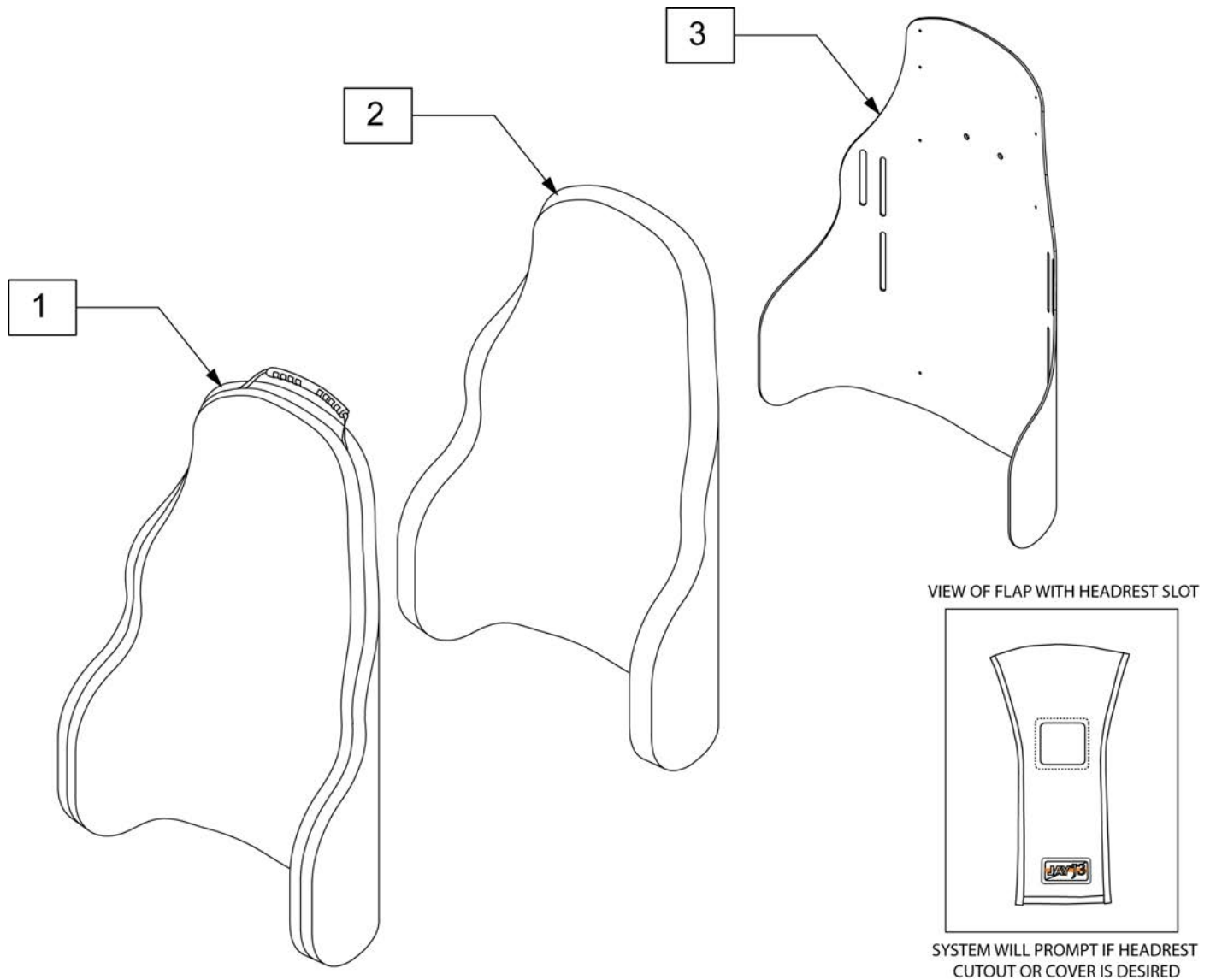
Pos.	Item Number	Description	Pos.	Item Number	Description
3	SJ3PDLSHS20	J3 SHELL, DEEP SH 20W STD	3	SJ3PDLSHT20	J3 SHELL, DEEP SH 20W TALL
3	SJ3PDLSHM20	J3 SHELL, DEEP SH 20W MED			

NOTE: Parts only, for complete Backrest see J3 Back order form.



Pos.	Item Number	Description
1	CJ3PASHS22	J3HD CVR POS SH 22W STD
2	BJ3PASHS22	J3HD FOAM POS SH 22W STD
3	SJ3PASHS22	J3HD SHELL POS SH 22W STD

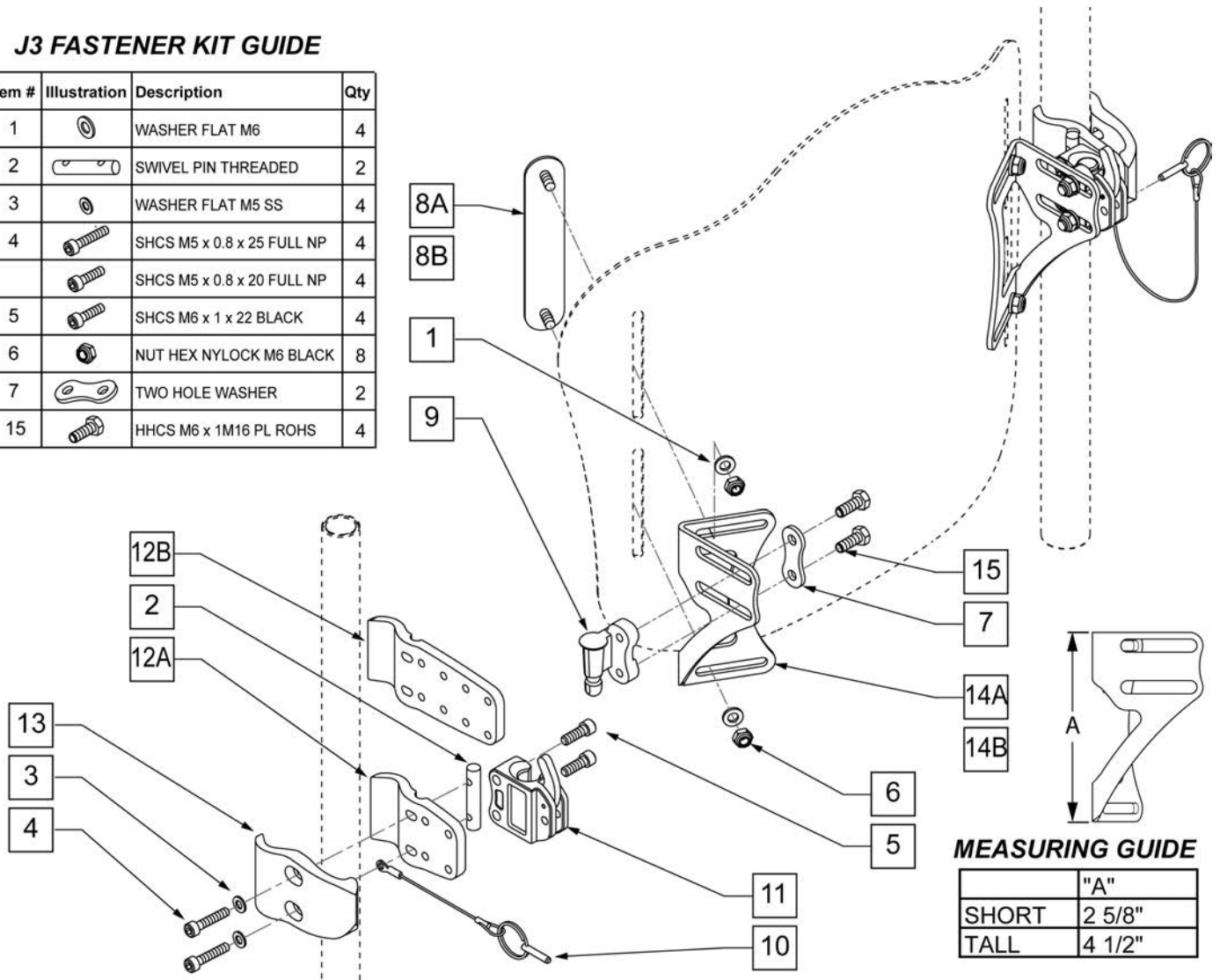
NOTE: Parts only, for complete Backrest see J3 Back order form.



Pos.	Item Number	Description
1	CJ3PDCSHS16	J3 CVR PDC SH 16W STD
1	CJ3PDCSHS18	J3 CVR PDC SH 18W STD
1	CJ3PDCSHS20	J3 CVR PDC SH 20W STD
2	BJ3PDCSHS16	J3 FOAM PDC SH 16W STD
2	BJ3PDCSHS18	J3 FOAM PDC SH 18W STD
2	BJ3PDCSHS20	J3 FOAM PDC SH 20W STD
3	SJ3PDCSHS16	J3 SHELL PDC SH 16W STD
3	SJ3PDCSHS18	J3 SHELL PDC SH 18W STD
3	SJ3PDCSHS20	J3 SHELL PDC SH 20W STD

J3 FASTENER KIT GUIDE

Item #	Illustration	Description	Qty
1		WASHER FLAT M6	4
2		SWIVEL PIN THREADED	2
3		WASHER FLAT M5 SS	4
4		SHCS M5 x 0.8 x 25 FULL NP	4
		SHCS M5 x 0.8 x 20 FULL NP	4
5		SHCS M6 x 1 x 22 BLACK	4
6		NUT HEX NYLOCK M6 BLACK	8
7		TWO HOLE WASHER	2
15		HHCS M6 x 1M16 PL ROHS	4



MEASURING GUIDE

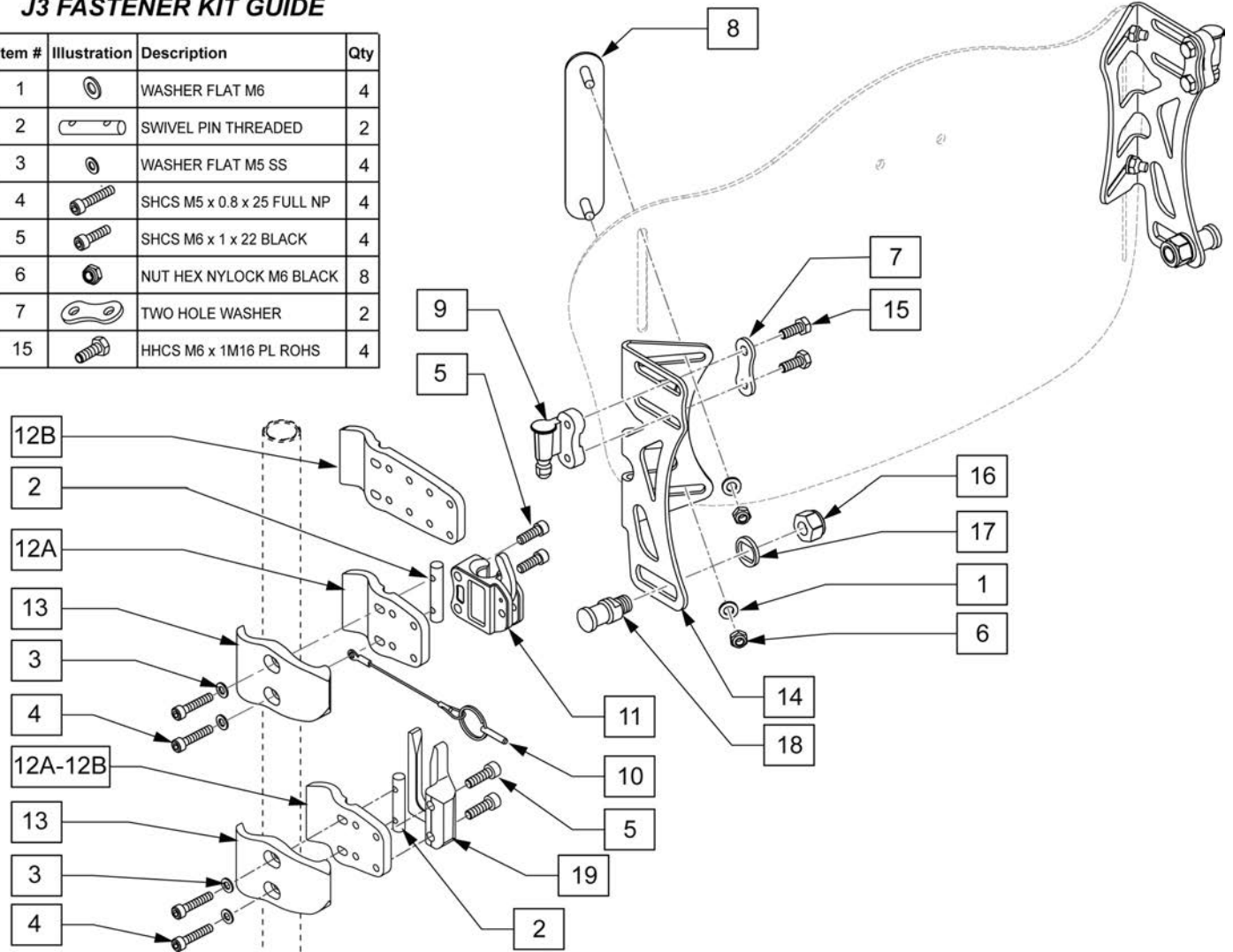
	"A"
SHORT	2 5/8"
TALL	4 1/2"

Pos.	Item Number	Description	Remarks
5	J3HDWRM	J3 BK RECIEVER MNTG HDW	PACK OF 4
1-7,15	J3HDWF	J3 Fastener Kit	
8B	J3HDWNT	J3B Nut Plate Tall	Tall
8A	J3HDWN	J3B Nut Plate	Short-Lower Thoracic Back only
10	J3 LOCKPIN	TRIGGER REL PIN TS/QT/P5	
11	J3HDWLRR	LATCH RECEIVER ASSM, RIGHT	
11	J3HDWLRL	LATCH RECEIVER ASSM, LEFT	
7,9,15	J3HDWPR	J3B-Mounting Pin AssblyR	
7,9,15	J3HDWPL	J3B-Mounting Pin AssblyL	
2-5,10,11,12A,13	J3SH	J3 Standard Hardware	
2-5,10,11,12B,13	J3AH	J3 Adjustable Hardware	
1,8B,14B,6	J3HDWTR	J3B-Mounting Bracket,Tall,R	
1,8B,14B,6	J3HDWTL	J3B-Mounting Bracket,Tall,L	
1,8A,14A,6	J3HDWSR	J3B-Mounting Bracket,Short,R	Lower Thoracic Back only
1,8A,14A,6	J3HDWSL	J3B-Mounting Bracket,Short,L	Lower Thoracic Back only
1-7 ,8B-11,12A,13,14A	117871	J3 MNT STD TAL RETRO KIT	
1-7 ,8B-11,12B,13,14A	117872	J3 MNT ADJ TAL RETRO KIT	
1-7 ,8A-11,12A,13,14B	117873	J3 MNT STD SHT RETRO KIT	

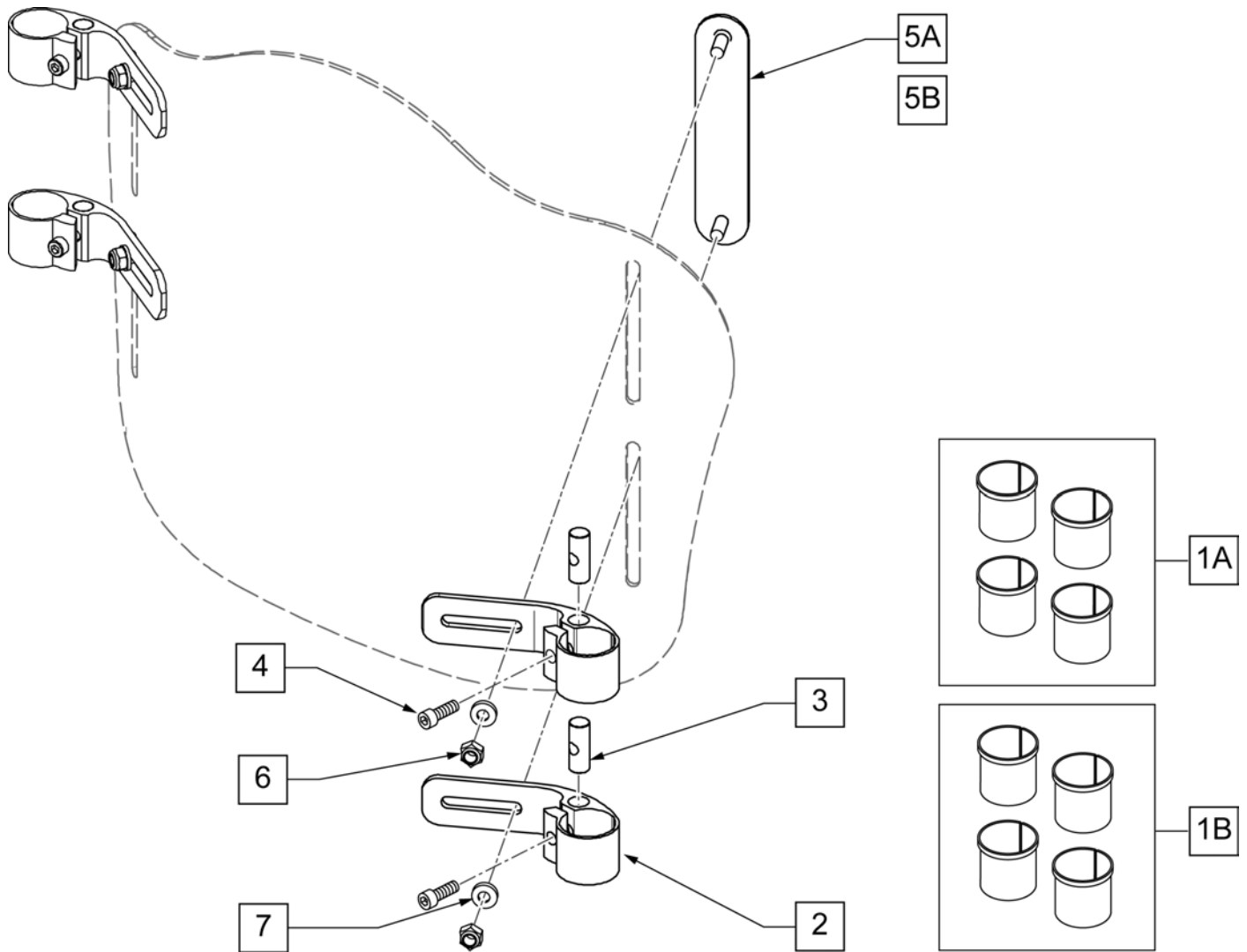
Pos.	Item Number	Description	Remarks
1-7 ,8A-11,12B,13,14B	117874	J3 MNT ADJ SHT RETRO KIT	

J3 FASTENER KIT GUIDE

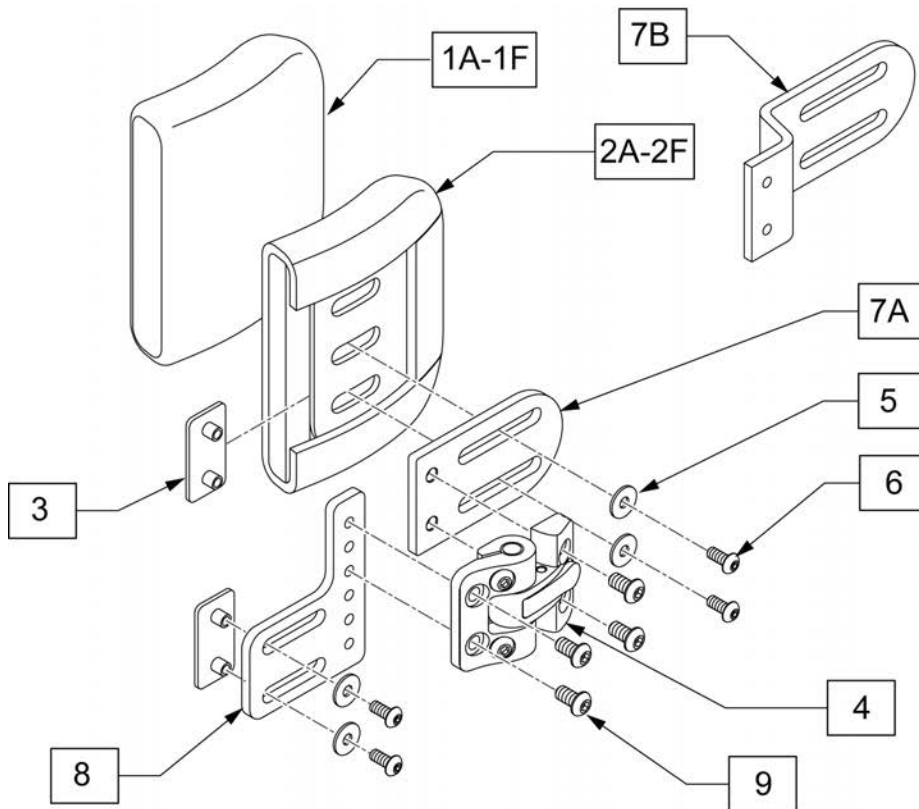
Item #	Illustration	Description	Qty
1		WASHER FLAT M6	4
2		SWIVEL PIN THREADED	2
3		WASHER FLAT M5 SS	4
4		SHCS M5 x 0.8 x 25 FULL NP	4
5		SHCS M6 x 1 x 22 BLACK	4
6		NUT HEX NYLOCK M6 BLACK	8
7		TWO HOLE WASHER	2
15		HHCS M6 x 1M16 PL ROHS	4



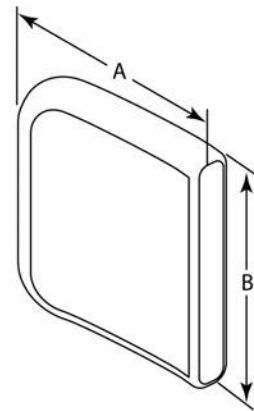
Pos.	Item Number	Description	Remarks
5	J3HDWRM	J3 BK RECIEVER MNTG HDW	PACK OF 4
8	102971-002	NUT PLATE M6 STUD LONG X 98	
10	J3 LOCKPIN	TRIGGER REL PIN TS/QT/P5	
11	J3HDWLRR	LATCH RECEIVER ASSM, RIGHT	RIGHT
11	J3HDWLRL	LATCH RECEIVER ASSM, LEFT	LEFT
19	115116	J3 HD BK LOWER RECEIVER LFT	LEFT
19	115117	J3 HD BK LOWER RECEIVER RT	RIGHT
1-7,15-18	117864	4 POINT FASTNER KIT	
7,9,15	J3HDWPR	J3B-Mounting Pin AssblyR	
7,9,15	J3HDWPL	J3B-Mounting Pin AssblyL	
2-4,12A,13,19	117865	J3 LWR CLMP SHT KIT (PR)	PAIR
2-4,12B,13,19	117866	J3 LWR CLMP ADJ KIT (PR)	PAIR
1,6,8,14	117867	4 POINT MNT BRKT TAL R	RIGHT
1,6,8,14	117868	4 POINT MNT BRKT TAL L	LEFT
1-12A,13-19	117869	4 PT MNT STD RETRO KIT	
1-12B,13-19	117870	4 PT MNT ADJ RETRO KIT	



Pos.	Item Number	Description	Remarks
1A	117856	LT MNT 3/4 BUSHING KIT	To fit 3/4" tubing.
1B	117857	LT MNT 7/8 BUSHING KIT	To fit 7/8" tubing.
2-4	117861	LT MNT CLAMP ASSM	Fits 1" tubing.
3,4	117860	LT MNT CLAMP HARDWARE	
5A-7	117858	LT MNT HARDWARE SHT	
5B-7	117859	LT MNT HARDWARE LNG	
1A,1B,2-4,5A-7	117862	LT MNT SHT RETRO KIT	
1A,1B,2-4,5B-7	117863	LT MNT TAL RETRO KIT	



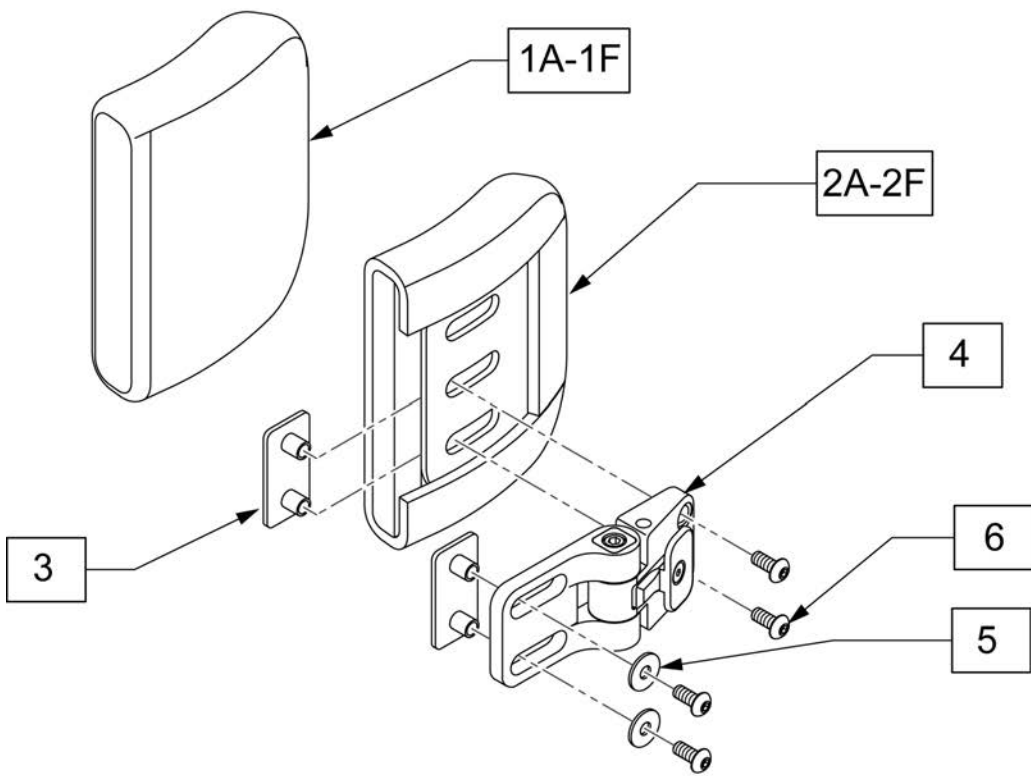
MEASURING GUIDE



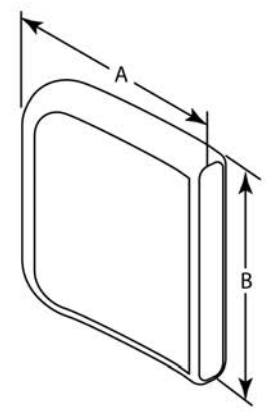
DESCRIPTION	DIM A	DIM B
Lateral Cover 4x4	4"	4"
Lateral Cover 4x5	4"	5"
Lateral Cover 4x6	4"	6"
Lateral Cover 6x4	6"	4"
Lateral Cover 6x5	6"	5"
Lateral Cover 6x6	6"	6"
Lateral Base 4x4	4"	4"
Lateral Base 4x5	4"	5"
Lateral Base 4x6	4"	6"
Lateral Base 6x4	6"	4"
Lateral Base 6x5	6"	5"
Lateral Base 6x6	6"	6"

Pos.	Item Number	Description	Remarks
1A	CJ3LAT4x4P	Lateral Cover 4x4	
1B	CJ3LAT4x5P	Lateral Cover 4x5	
1C	CJ3LAT4x6P	Lateral Cover 4x6	
1D	CJ3LAT6x4P	Lateral Cover 6x4	
1E	CJ3LAT6x5P	Lateral Cover 6x5	
1F	CJ3LAT6x6P	Lateral Cover 6x6	
2A	BJ3LAT4x4P	Lateral Base 4x4	
2B	BJ3LAT4x5P	Lateral Base 4x5	
2C	BJ3LAT4x6P	Lateral Base 4x6	
2D	BJ3LAT6x4P	Lateral Base 6x4	
2E	BJ3LAT6x5P	Lateral Base 6x5	
2F	BJ3LAT6x6P	Lateral Base 6x6	
7B	PRT2630	1" OFF/ONE PC PAD MNT STD	Pair
3-7A,8,9	118045	J3 LATERAL S-A BRACKET RH	
3-7A,8,9	118046	J3 LATERAL S-A BRACKET LH	
3,5,6,9	118047	J3 S/A-LAT HDW KIT	

Note: Effective after September 2010.



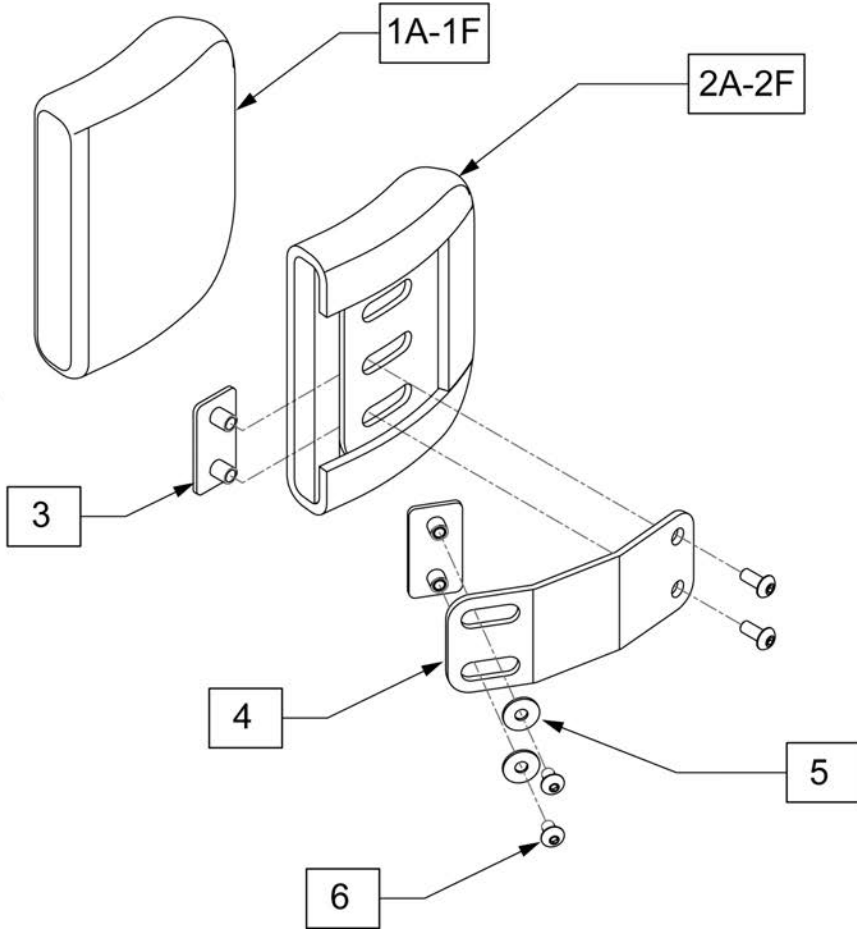
MEASURING GUIDE



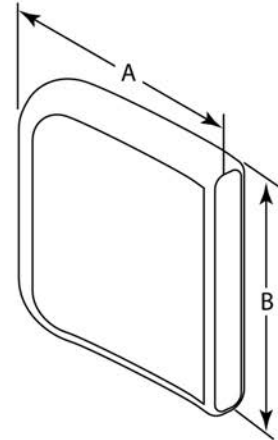
DESCRIPTION	DIM A	DIM B
Lateral Cover 4x4	4"	4"
Lateral Cover 4x5	4"	5"
Lateral Cover 4x6	4"	6"
Lateral Cover 6x4	6"	4"
Lateral Cover 6x5	6"	5"
Lateral Cover 6x6	6"	6"
Lateral Base 4x4	4"	4"
Lateral Base 4x5	4"	5"
Lateral Base 4x6	4"	6"
Lateral Base 6x4	6"	4"
Lateral Base 6x5	6"	5"
Lateral Base 6x6	6"	6"

Pos.	Item Number	Description	Remarks
1A	CJ3LAT4x4P	Lateral Cover 4x4	
1B	CJ3LAT4x5P	Lateral Cover 4x5	
1C	CJ3LAT4x6P	Lateral Cover 4x6	
1D	CJ3LAT6x4P	Lateral Cover 6x4	
1E	CJ3LAT6x5P	Lateral Cover 6x5	
1F	CJ3LAT6x6P	Lateral Cover 6x6	
2A	BJ3LAT4x4P	Lateral Base 4x4	
2B	BJ3LAT4x5P	Lateral Base 4x5	
2C	BJ3LAT4x6P	Lateral Base 4x6	
2D	BJ3LAT6x4P	Lateral Base 6x4	
2E	BJ3LAT6x5P	Lateral Base 6x5	
2F	BJ3LAT6x6P	Lateral Base 6x6	
3-6	J3LATSABL	J3Lateral-S/A Bucket LH	LEFT SIDE
3-6	J3LATSABR	J3Lateral-S/A Bucket RH	RIGHT SIDE
3,5,6	J3LATSAP	J3 S/A-Lat. Bag-o-Bolts	

Note: Available prior to September 2010.

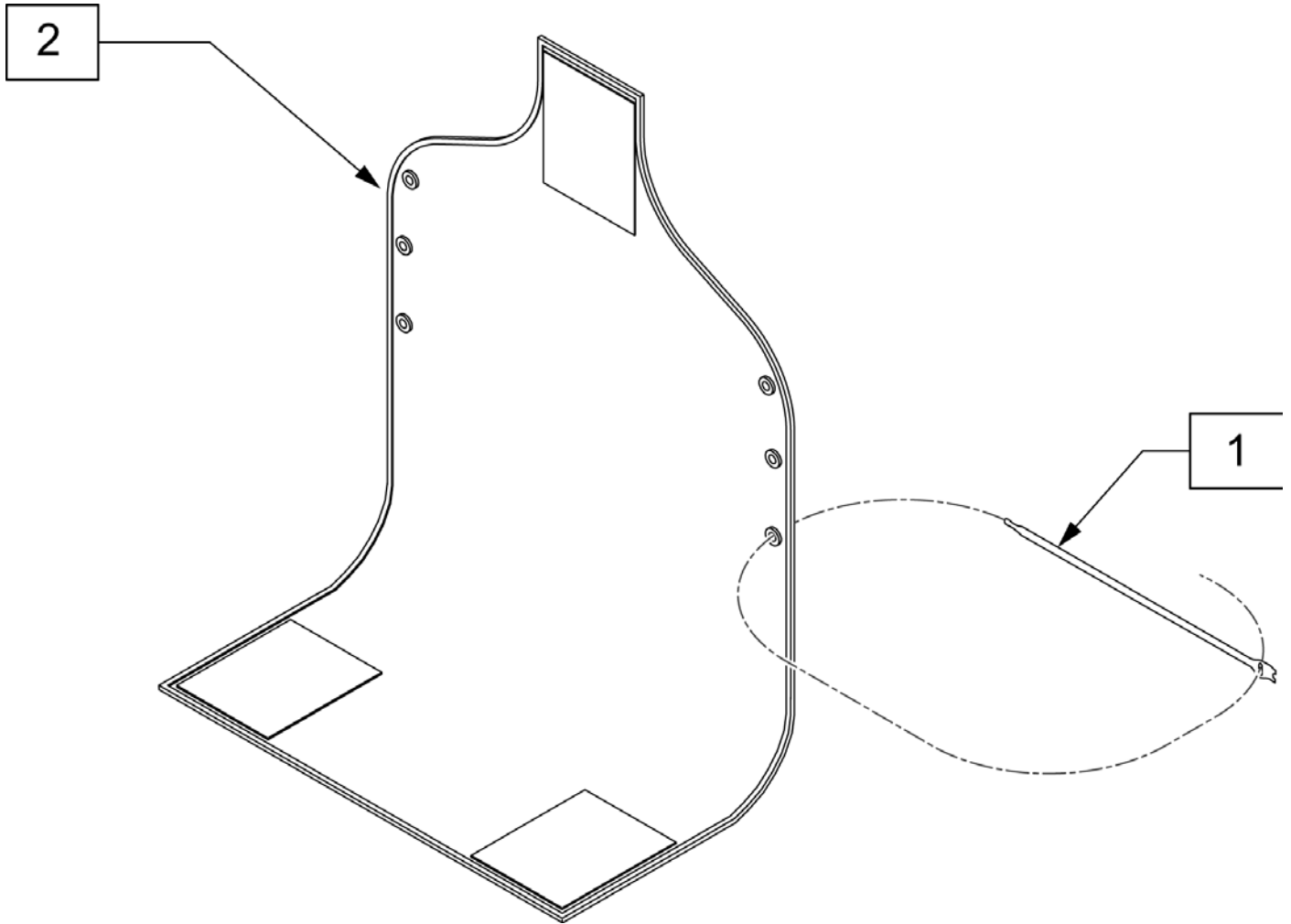


MEASURING GUIDE



DESCRIPTION	DIM A	DIM B
Lateral Cover 4x4	4"	4"
Lateral Cover 4x5	4"	5"
Lateral Cover 4x6	4"	6"
Lateral Cover 6x4	6"	4"
Lateral Cover 6x5	6"	5"
Lateral Cover 6x6	6"	6"
Lateral Base 4x4	4"	4"
Lateral Base 4x5	4"	5"
Lateral Base 4x6	4"	6"
Lateral Base 6x4	6"	4"
Lateral Base 6x5	6"	5"
Lateral Base 6x6	6"	6"

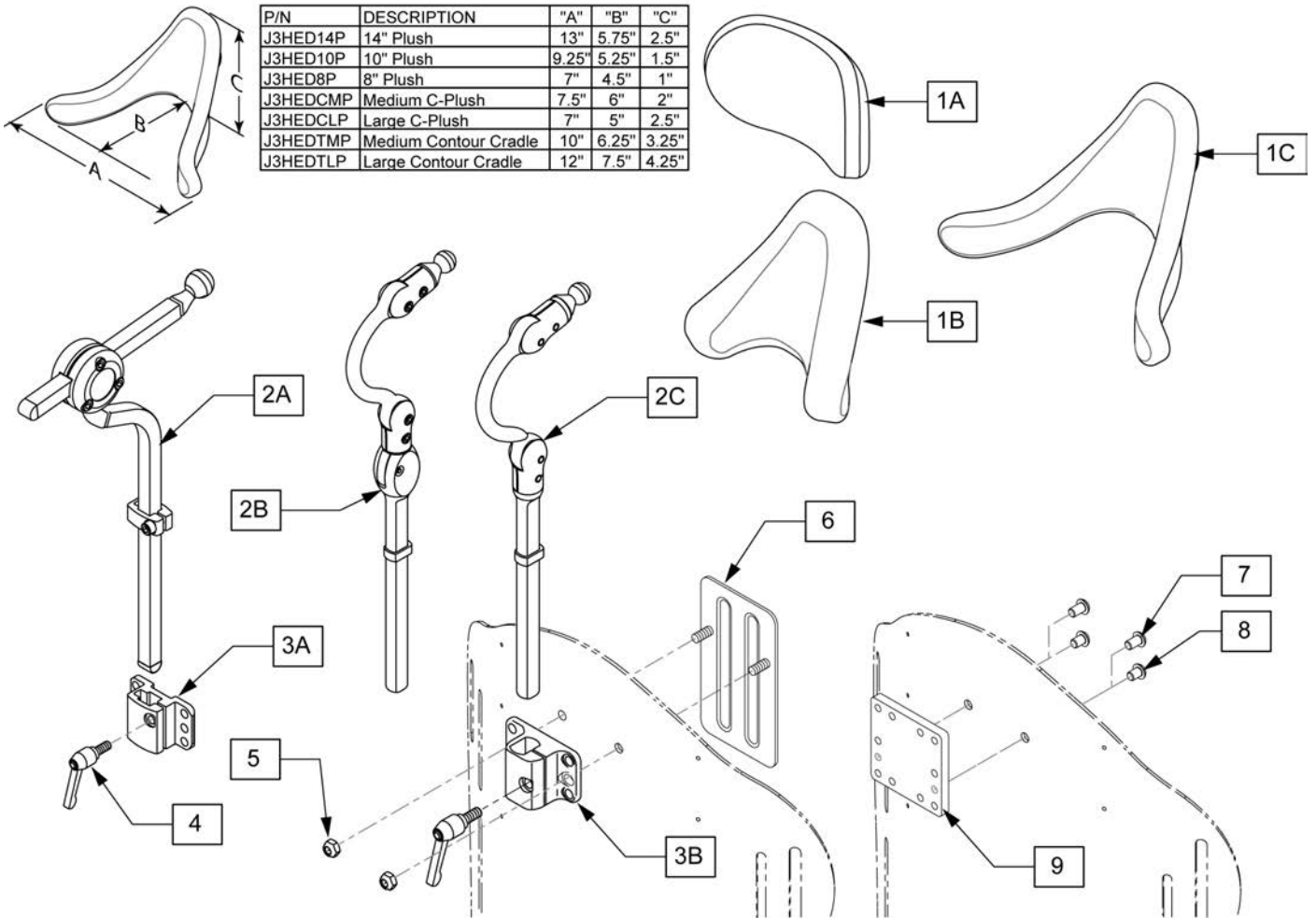
Pos.	Item Number	Description
1A	CJ3LAT4x4P	Lateral Cover 4x4
1B	CJ3LAT4x5P	Lateral Cover 4x5
1C	CJ3LAT4x6P	Lateral Cover 4x6
1D	CJ3LAT6x4P	Lateral Cover 6x4
1E	CJ3LAT6x5P	Lateral Cover 6x5
1F	CJ3LAT6x6P	Lateral Cover 6x6
2A	BJ3LAT4x4P	Lateral Base 4x4
2B	BJ3LAT4x5P	Lateral Base 4x5
2C	BJ3LAT4x6P	Lateral Base 4x6
2D	BJ3LAT6x4P	Lateral Base 6x4
2E	BJ3LAT6x5P	Lateral Base 6x5
2F	BJ3LAT6x6P	Lateral Base 6x6
3-6	J3LATFB	J3Lateral-Fxd Bracket
3,5,6	J3LATFP	J3 Fixed-Lat. Bag-o-Bolts



Pos.	Item Number	Description	Remarks
1	116527S	VELCRO TIE,1 WRAP.75"X12",BLK	
1,2	117096	VANITY FLAP, J3 BACK 12W	Includes 4 velcro ties
1,2	117097	VANITY FLAP, J3 BACK 14W	Includes 4 velcro ties
1,2	117098	VANITY FLAP, J3 BACK 16W	Includes 4 velcro ties
1,2	117099	VANITY FLAP, J3 BACK 18W	Includes 4 velcro ties
1,2	117100	VANITY FLAP, J3 BACK 20W	Includes 4 velcro ties
1,2	117101	VANITY FLAP, J3 BACK 22W	Includes 4 velcro ties
1,2	117102	VANITY FLAP, J3 BACK 24W	Includes 4 velcro ties
1,2	117103	VANITY FLAP, J3 BACK 26W	Includes 4 velcro ties
1,2	VF08	VANITY FLAP 8-9 IN	Includes 4 velcro ties
1,2	VF10	VANITY FLAP 10-11 IN	Includes 4 velcro ties
1,2	VF12	VANITY FLAP 12-13 IN	Includes 4 velcro ties
1,2	VF14	VANITY FLAP 14-15 IN	Includes 4 velcro ties

HEADREST MEASURING GUIDE

P/N	DESCRIPTION	"A"	"B"	"C"
J3HED14P	14" Plush	13"	5.75"	2.5"
J3HED10P	10" Plush	9.25"	5.25"	1.5"
J3HED8P	8" Plush	7"	4.5"	1"
J3HEDCMP	Medium C-Plush	7.5"	6"	2"
J3HEDCLP	Large C-Plush	7"	5"	2.5"
J3HEDTMP	Medium Contour Cradle	10"	6.25"	3.25"
J3HEDTLP	Large Contour Cradle	12"	7.5"	4.25"



Pos.	Item Number	Description
1A	J3HED14P	Headrest 14" Plush Pad Only
1A	J3HED10P	Headrest 10" Plush Pad Only
1A	J3HED8P	Headrest 8" Plush Pad Only
1B	J3HEDCMP	Headrest Pad Only,Cplush MD
1B	J3HEDCLP	Headrest Pad Only,Cplush LG
1C	J3HEDTMP	Headrest Pad Only, Cradle MD
1C	J3HEDTLP	Headrest Pad Only, Cradle LG
2A,3A,4-6	J3HEDXH	Headrest AXYS Bracket&Mount
2C,3B,4-6	J3HEDCH	Headrest Cobra Bracket&Mount
2B,3B,4-6	J3HEDFH	Headrest CobraFB Bracket&Mount
7-9	J3UHM	Universal Headrest Mount
4,5,6,7,8	J3HDP	Headrest Bag-o-Bolts
3A,4	115215	J3 BK STD HD RST BRKT KIT
3B,4	115216	J3 BK FLIPBACK HD RST BRKT KIT

	Height	Width
X-Small	3"	8"
Small	3"	10"
Medium	3"	12"
Large	4"	14"
X-Large	4"	16"

	A	B	C
E Intv	9.75	7	5
X-S	11	8	5.75
S	12.25	9	6.5
M	14.25	11	9.75
L	15.5	11.5	9.75
XL	17.5	12.75	10

* All measurements are listed in inches and may vary due to binding finish

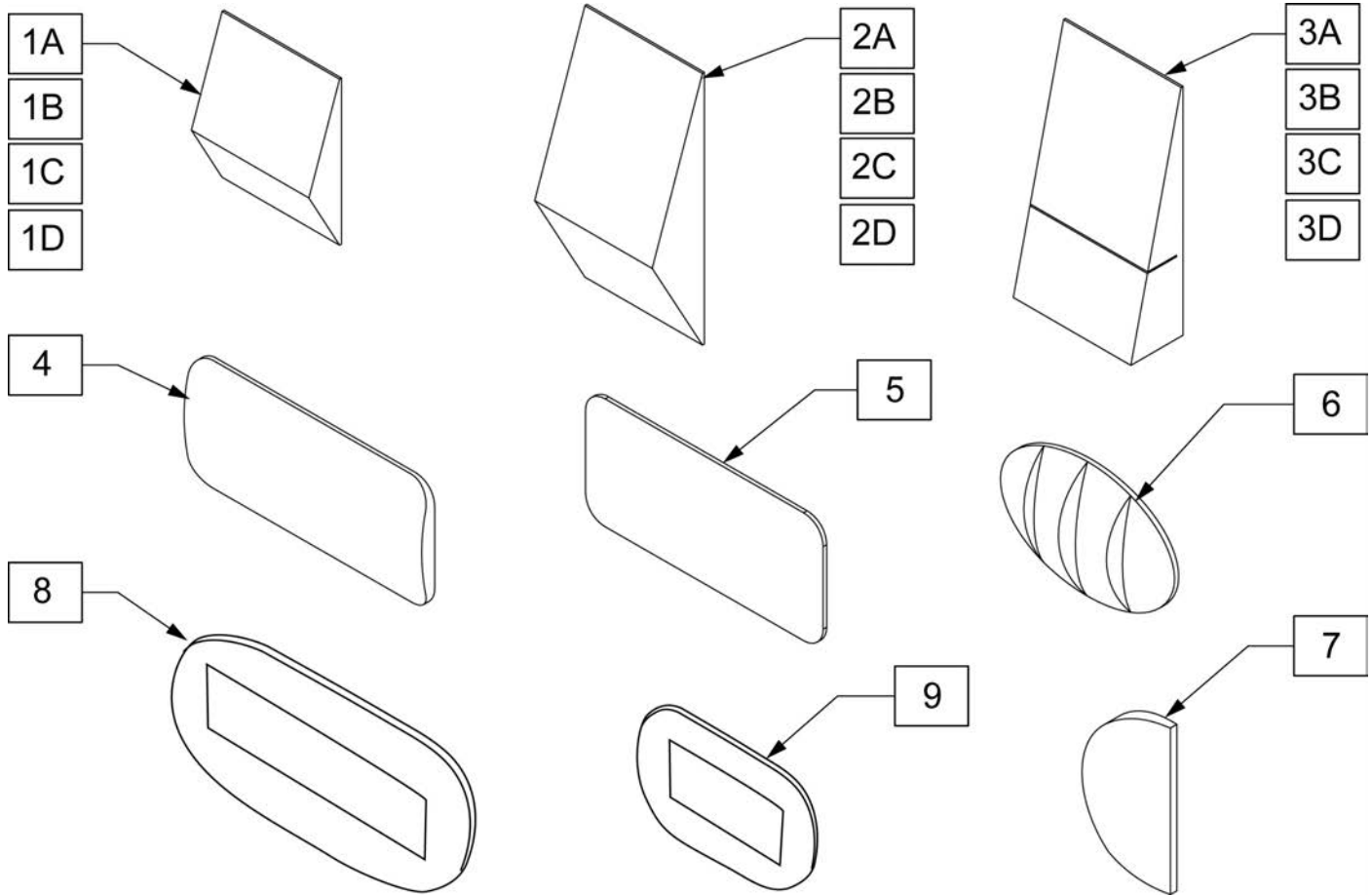
	A	B	C	D	E	F	G	H
E Intv	9.75	3	1.75	5.25	1	3.5	1.5	6.5
X-S	12.5	3.5	2	7.5	1	3.5	1.5	7.5
S	15	4.5	2	9	1	4	2	8.5
M	18.5	5.5	2	11	1	5	2.5	9.5
L	22.5	6.5	2	13	1.5	6	3.5	10.5
XL	25.5	6.5	2.5	14	1.5	7	4.5	11.5

* All measurements are listed in inches and may vary due to binding finish

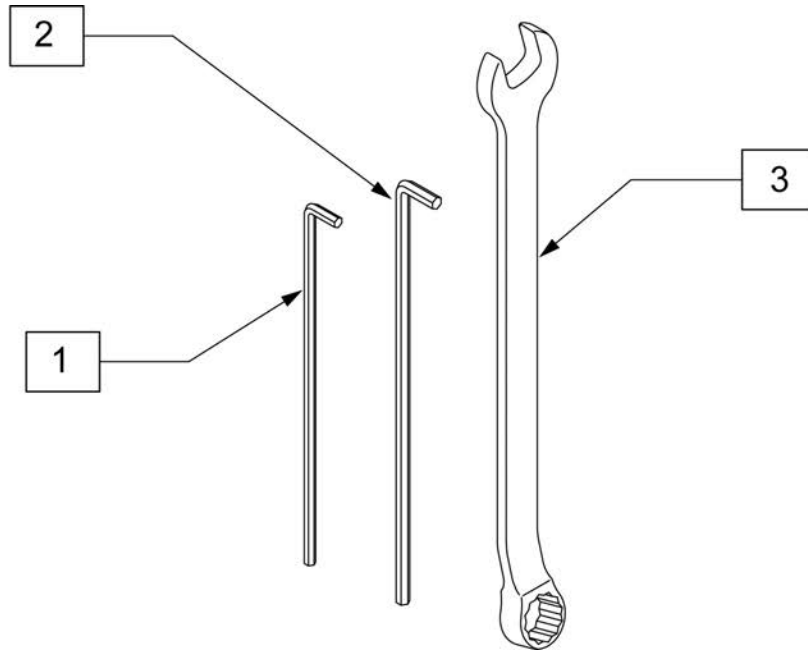
	A	B	C	D	E	F	G	H
E Intv	9.75	3	2	5.25	3	3	1	6.5
X-S	12.5	3.5	2	7.5	3.5	3	2	7.5
S	15	4.5	2	9	4	4	2	8.5
M	19	5.5	2	11	5	5	3	9.5
L	22.5	6.5	2	13	6	6	3.5	10.5
XL	25.5	6.5	2.5	14	7	7	4.5	11.5

* All measurements are listed in inches and may vary due to binding finish

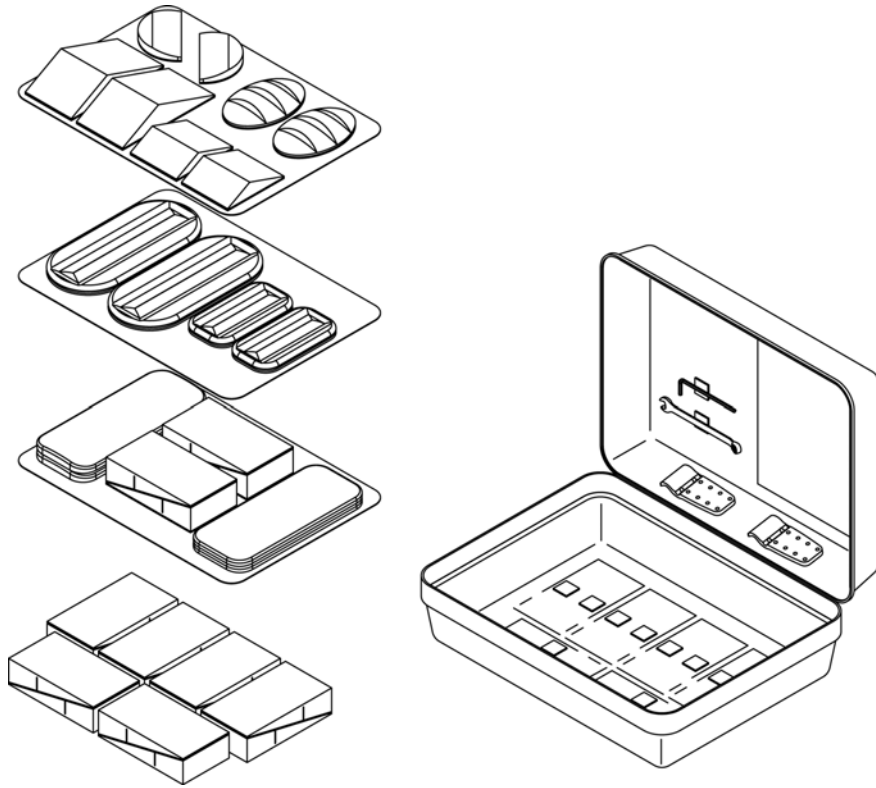
Pos.	Item Number	Description	Pos.	Item Number	Description
1,5,6,7,8	J3HRNCOS	HARNESS, CENTER OPEN-SM	3,5,6,7,8	J3HRNTSM	HARNESS, CONTOUR, STUCPULL-MED
1,5,6,7,8	J3HRNCOM	HARNESS, CENTER OPEN-MED	3,5,6,7,8	J3HRNTSL	HARNESS, CONTOUR, STUCPULL-LG
1,5,6,7,8	J3HRNCOL	HARNESS, CENTER OPEN-LG	3,5,6,7,8	J3HRNTSX	HARNESS, CONTOUR, STUCPULL-XLG
1,5,6,7,8	J3HRNCOX	HARNESS, CENTER OPEN-XLG	4,5,6,7,8	J3HRNCDS	HARNESS, CLASSIC, DYNPULL-SM
2,5,6,7,8	J3HRNPDS	HARNESS, PADDED ANT STP-SM	4,5,6,7,8	J3HRNCDM	HARNESS, CLASSIC, DYNPULL-MED
2,5,6,7,8	J3HRNPDM	HARNESS, PADDED ANT STP-MED	4,5,6,7,8	J3HRNCDL	HARNESS, CLASSIC, DYNPULL-LG
2,5,6,7,8	J3HRNPDL	HARNESS, PADDED ANT STP-LG	4,5,6,7,8	J3HRNCDX	HARNESS, CLASSIC, DYNPULL-XLG
2,5,6,7,8	J3HRNPDX	HARNESS, PADDED ANT STP-XLG	4,5,6,7,8	J3HRNCSS	HARNESS, CLASSIC, STRPULL-SM
3,5,6,7,8	J3HRNTDS	HARNESS, CONTOUR, DYNPULL-SM	4,5,6,7,8	J3HRNCSM	HARNESS, CLASSIC, STRPULL-MED
3,5,6,7,8	J3HRNTDM	HARNESS, CONTOUR, DYNPULL-MED	4,5,6,7,8	J3HRNCSL	HARNESS, CLASSIC, STRPULL-LG
3,5,6,7,8	J3HRNTDL	HARNESS, CONTOUR, DYNPULL-LG	4,5,6,7,8	J3HRNC SX	HARNESS, CLASSIC, STRPULL-XLG
3,5,6,7,8	J3HRNTDX	HARNESS, CONTOUR, DYNPULL-XLG	5	J3GPSG	GOAL POST SHOULDER STRAP GUIDE
3,5,6,7,8	J3HRNTSS	HARNESS, CONTOUR, STUCPULL-SM	6,7,8	J3HHP	Harness Hardware Pack



Pos.	Item Number	Description	Remarks	Pos.	Item Number	Description	Remarks
1A	J3SPNSL20	LUMBAR, SMALL, 20W		5	J3SPNFL	FLAT SHIM	
1B	J3SPNSL18	LUMBAR, SMALL, 18W		6	J3SPNLP	POS/LATERAL PELVIC	
1C	J3SPNSL16	LUMBAR, SMALL, 16W		7	J3SPNLS	SHIM, LATERAL	
1D	J3SPNSL14	LUMBAR, SMALL, 14W		8	J3SPNBL	BEAN BAG, LARGE	Approx 5.25" X 10"
2A	J3SPNLL20	LUMBAR, LARGE, 20W		9	J3SPNBS	BEAN BAG, SMALL	Approx 3" X 6"
2B	J3SPNLL18	LUMBAR, LARGE, 18W		2D,3D,4-7	J3SPNK220	MINI KIT II, 20W	
2C	J3SPNLL16	LUMBAR, LARGE, 16W		2C,3C,4-7	J3SPNK218	MINI KIT II, 18W	
2D	J3SPNLL14	LUMBAR, LARGE, 14W		2B,3B,4-7	J3SPNK216	MINI KIT II, 16W	
3A	J3SPNWE20	WEDGE, 20W		2A,3A,4-7	J3SPNK214	MINI KIT II, 14W	
3B	J3SPNWE18	WEDGE, 18W		3D,6,7	J3SPNK120	MINI KIT I, 20W	
3C	J3SPNWE16	WEDGE, 16W		3C,6,7	J3SPNK118	MINI KIT I, 18W	
3D	J3SPNWE14	WEDGE, 14W		3B,6,7	J3SPNK116	MINI KIT I, 16W	
4	J3SPNCR	CURVED SHIM		3A,6,7	J3SPNK114	MINI KIT I, 14W	

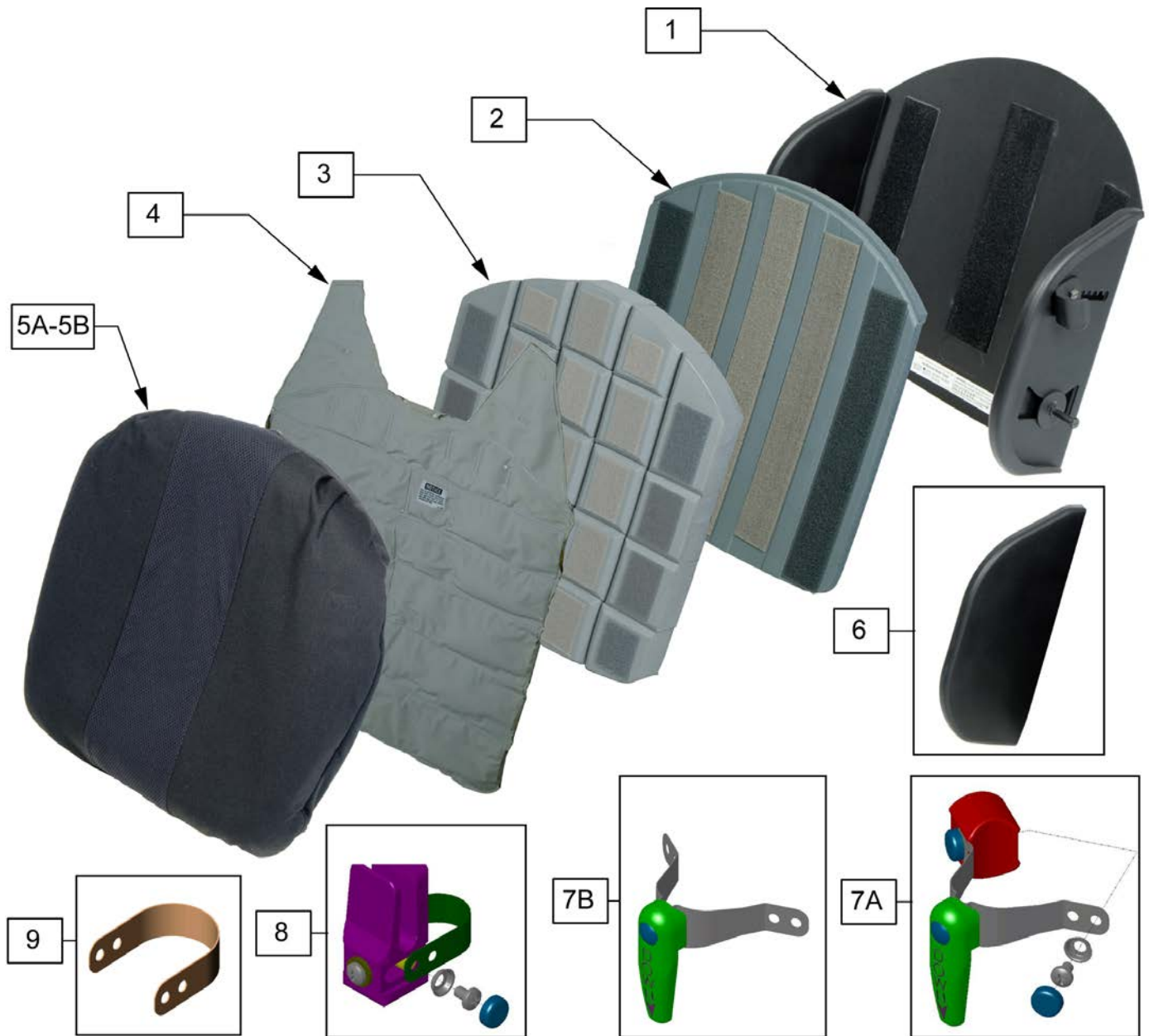


Pos.	Item Number	Description
1	J3HEX3MM	HEX KEY 3MM LONG
2	J3HEX4MM	HEX KEY 4MM LONG
3	J3CW10MM	10 MM COMBO WRENCH



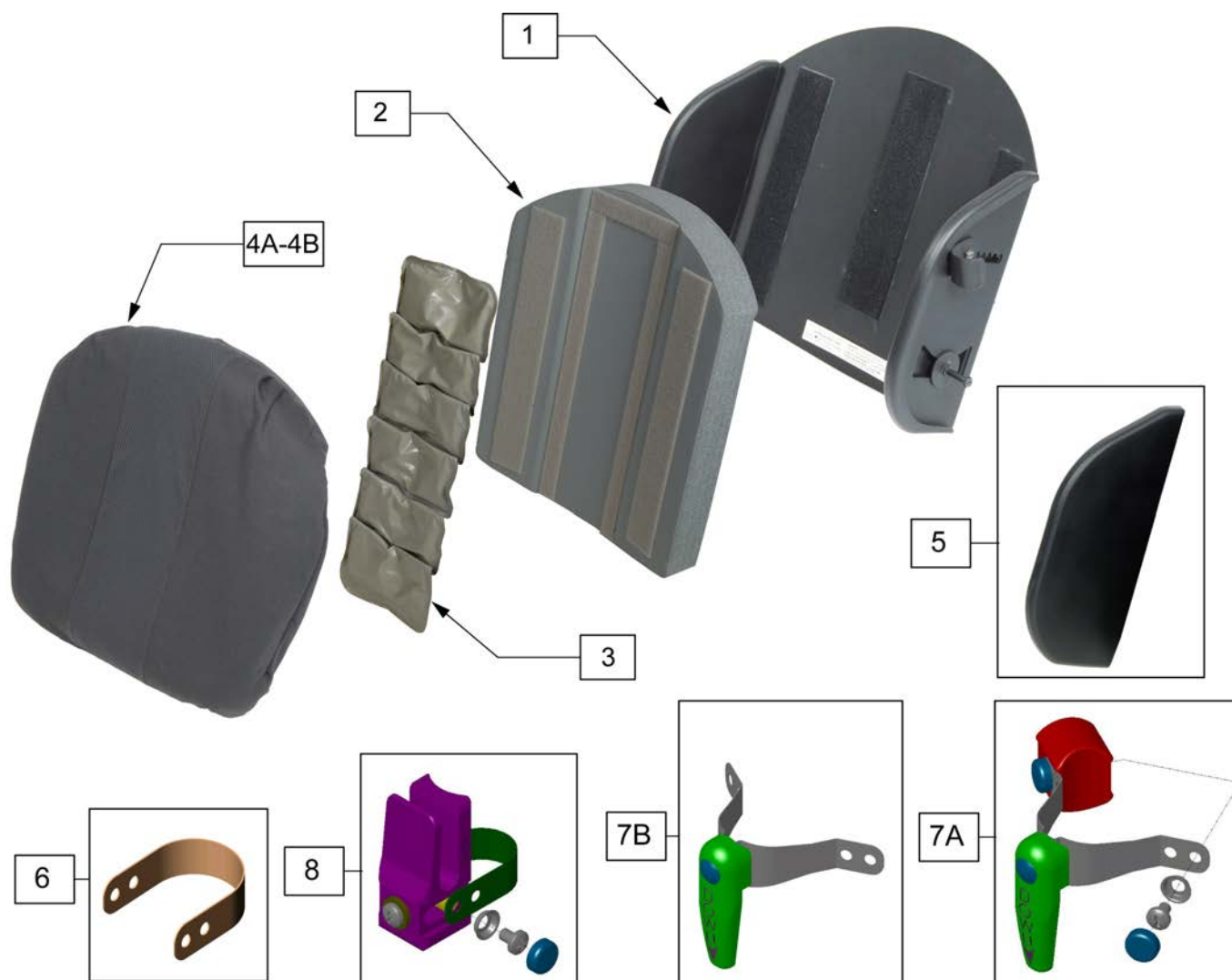
DESCRIPTION	QTY
BACK WEDGE BLK 3.5W W/VEL	16
LATERAL LUMBAR SUPP BLK W/VEL	2
LATERAL SUPP WEDGE BLK W/VEL	2
LUMBAR SUPP LG BLK 3.5W W/VEL	2
FLAT SHIM	2
CURVED SHIM	2
LUMBAR SUPP SM BLK 3.5W W/VEL	2
LARGE BEAN BAG	2
SMALL BEAN BAG	2
VARI DIA CLAMP INNER LONG	2
COMBO WRENCH 10MM	1
HEX KEY 4MM LONG	1
CASE INSERT 1 W/VEL J3 ASSES	1
CASE INSERT 2 W/VEL J3 ASSES	1
CASE INSERT 3 W/VEL J3 ASSES	1
CASE J3 SPINE ALIGN ASSES KIT	1

Pos.	Item Number	Description
1	DJ3SPNKA	ASSESSMENT KIT, SPINE ALIGN



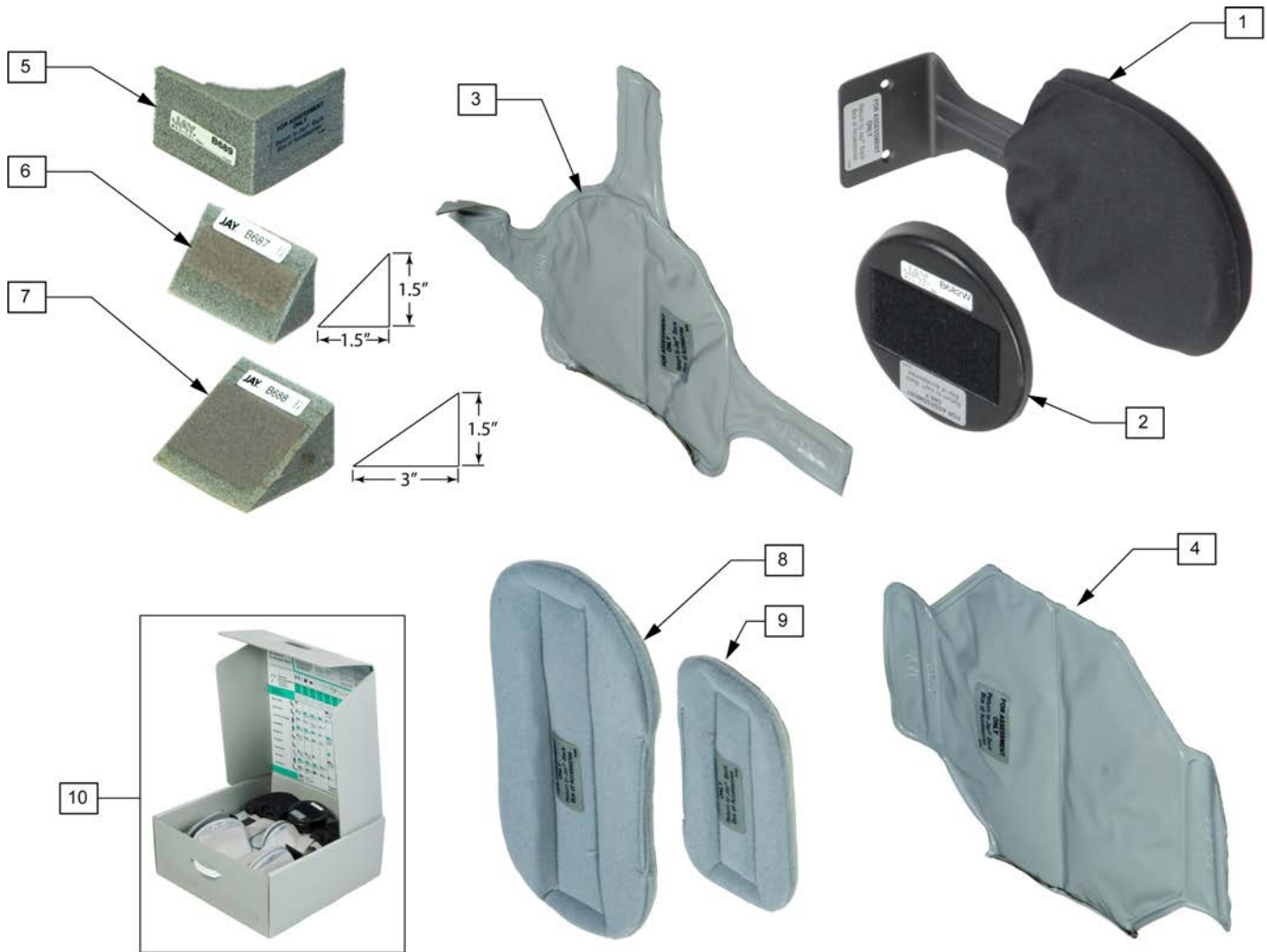
Pos.	Item Number	Description	Remarks
1	S600	SHELL JAY MODULAR BACK 18"	
1	S602	SHELL JAY MODULAR BACK 20"	
1	S605	SHELL JAY MODULAR BACK 16"	
1	S610	SHELL JAY MODULAR BACK 14"	
2	K600	SHIM 1/2"SEAT DEPTH FOR 18"	
2	K602	SHIM 1/2"SEAT DEPTH FOR 20"	
2	K605	SHIM 1/2"SEAT DEPTH FOR 16"	
2	K610	SHIM 1/2"SEAT DEPTH FOR 14"	
4	FL600	FLUID PAD FULL WIDTH MOD BACK	18"
4	FL602	FLUID PAD FULL WIDTH MOD BACK	20"
4	FL605	FLUID PAD FULL WIDTH MOD BACK	16"
4	FL610	FLUID PAD FULL WIDTH MOD BACK	14"
5A	C600	COVER JAY MODULAR BACK 18"	

Pos.	Item Number	Description	Remarks
5A	C602	COVER JAY MODULAR BACK 20"	
5A	C603	COVER JAY MODULAR BACK 17"	
5A	C605	COVER JAY MODULAR BACK 16"	
5A	C610	COVER JAY MODULAR BACK 14"	
5B	CB600	INSIDE PROTECTIVE COVER	18"
5B	CB602	INSIDE PROTECTIVE COVER	20"
5B	CB605	INSIDE PROTECTIVE COVER	16"
5B	CB610	INSIDE PROTECTIVE COVER	14"
6	B684-MJ	SIDE GUARDS JAY MODULAR BACK	
7A	681C	TOP BRACKET ASSM - "QUARTER-TURN"	
7B	2681C	TOP LONG 1/4 BRACKET ASSM	
8	680C	BOTTOM UNIVERSAL POST BRACKETS	
9	880997	LONG STRAP KIT	USED ON 1 1/8" DIAMETER BACK POST
2,3	BL600	BASE&SHIM CUSTOM CONTOURED 18"	
2,3	BL602	BASE&SHIM CUSTOM CONTOURED 20"	
2,3	BL605	BASE&SHIM CUSTOM CONTOURED 16"	
2,3	BL610	BASE&SHIM CUSTOM CONTOURED 14"	
2-5A	DI600	CUSTOM CONTOURED INSERT 18"	
2-5A	DI602	CUSTOM CONTOURED INSERT 20"	
2-5A	DI605	CUSTOM CONTOURED INSERT 16"	
2-5A	DI610	CUSTOM CONTOURED INSERT 14"	



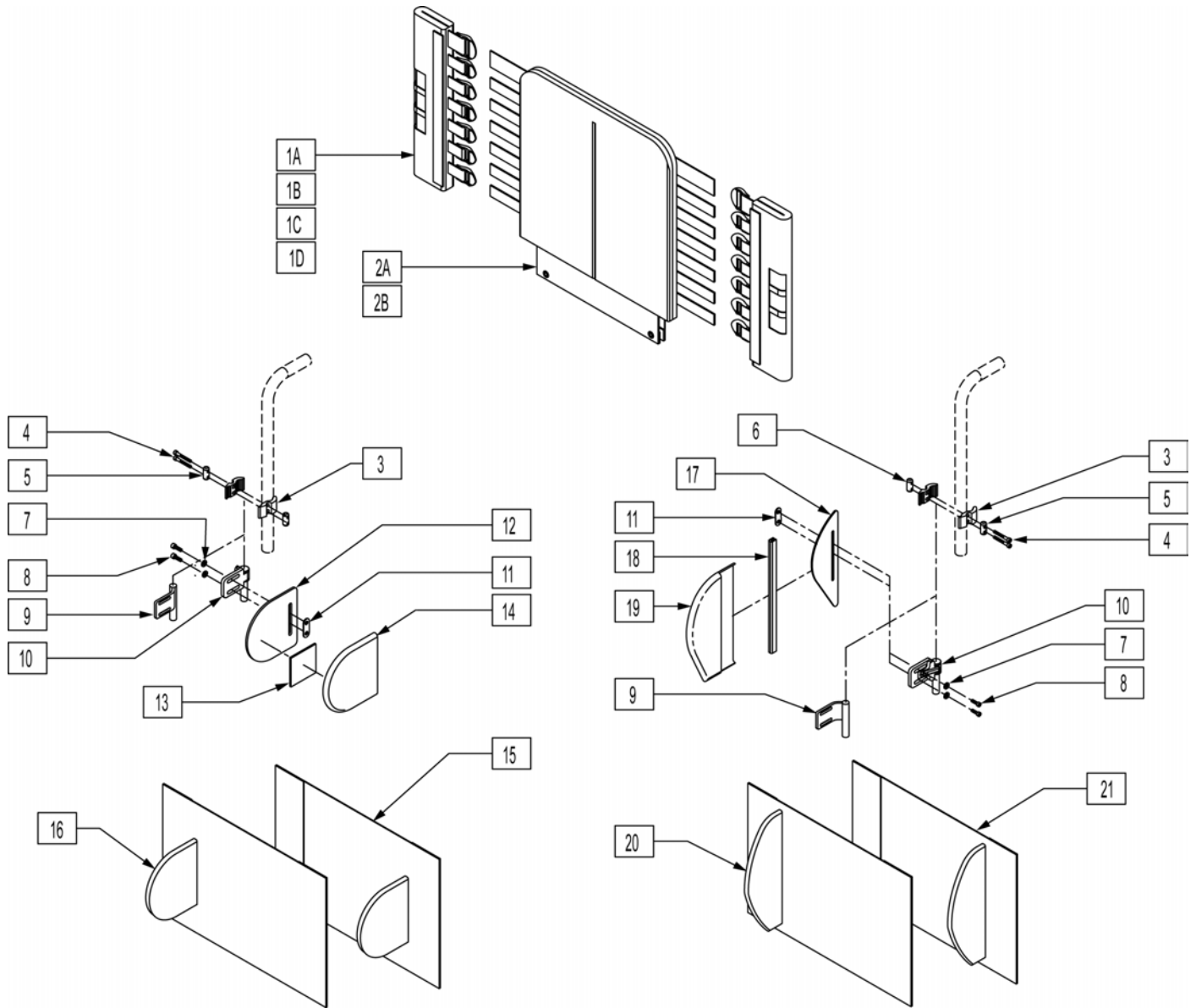
Pos.	Item Number	Description	Remarks
1	S600	SHELL JAY MODULAR BACK 18"	
1	S602	SHELL JAY MODULAR BACK 20"	
1	S605	SHELL JAY MODULAR BACK 16"	
1	S610	SHELL JAY MODULAR BACK 14"	
2	B600	BASE MODULAR BACK STD 18"	
2	B602	BASE MODULAR BACK STD 20"	
2	B605	BASE MODULAR BACK STD 16"	
2	B610	BASE MODULAR BACK STANDARD 14"	
3	F605	SPINAL FLUID PAD MODULAR BACK	
3	F510	SPINAL FLUID PAD STANDARD	
4A	C500AB	COVER JAY BACK 18"	
4A	C502AB	COVER JAY BACK 20"	
4A	C505AB	COVER JAY BACK 16"	
4A	C510AB	COVER JAY BACK 14"	
4B	CB600	INSIDE PROTECTIVE COVER	18"
4B	CB602	INSIDE PROTECTIVE COVER	20"
4B	CB605	INSIDE PROTECTIVE COVER	16"
4B	CB610	INSIDE PROTECTIVE COVER	14"
5	B684-MJ	SIDE GUARDS JAY MODULAR BACK	

Pos.	Item Number	Description	Remarks
6	880997	LONG STRAP KIT	USED ON 1 1/8" DIAMETER BACK POST
7A	681C	TOP BRACKET ASSM - "QUARTER-TURN"	
7B	2681C	TOP LONG 1/4 BRACKET ASSM	
8	680C	BOTTOM UNIVERSAL POST BRACKETS	
2-4	NI600	STANDARD INSERT FOR S600	18"
2-4	NI602	STANDARD INSERT FOR S602	20"
2-4	NI605	STANDARD INSERT FOR S605	16"
2-4	NI610	STANDARD INSERT FOR S610	14"



Pos.	Item Number	Description	Remarks
1	682	EXTENDED LATERAL SUPPORT	
2	B682W	EXTENDED LATERAL WEDGE	
3	F682	FLUID PAD EXTENDED LATERAL	
4	FD500	FLUID PAD DEFORMITY FILL-IN	
5	B689	CORNER TRANSITION WEDGE (2 EA)	
6	B687	TRANSITION WEDGES 1/2 WID (4)	
7	B688	TRANSITION WEDGES FULL WID.(4)	
8	686	LARGE FILL-IN PADS (SET OF 4)	5"X10"
9	685	SMALL FILL-IN PADS (SET OF 4)	3"X6"
10	655	JAY BACK ACCESSORY BOX	

NOTE: IF MOUNTING LATERALS ONTO A SOLID BACK PLEASE REFER TO THE "LATERAL PAD ASSEMBLY" PARTS PAGE FOR MOUNTING HARDWARE.

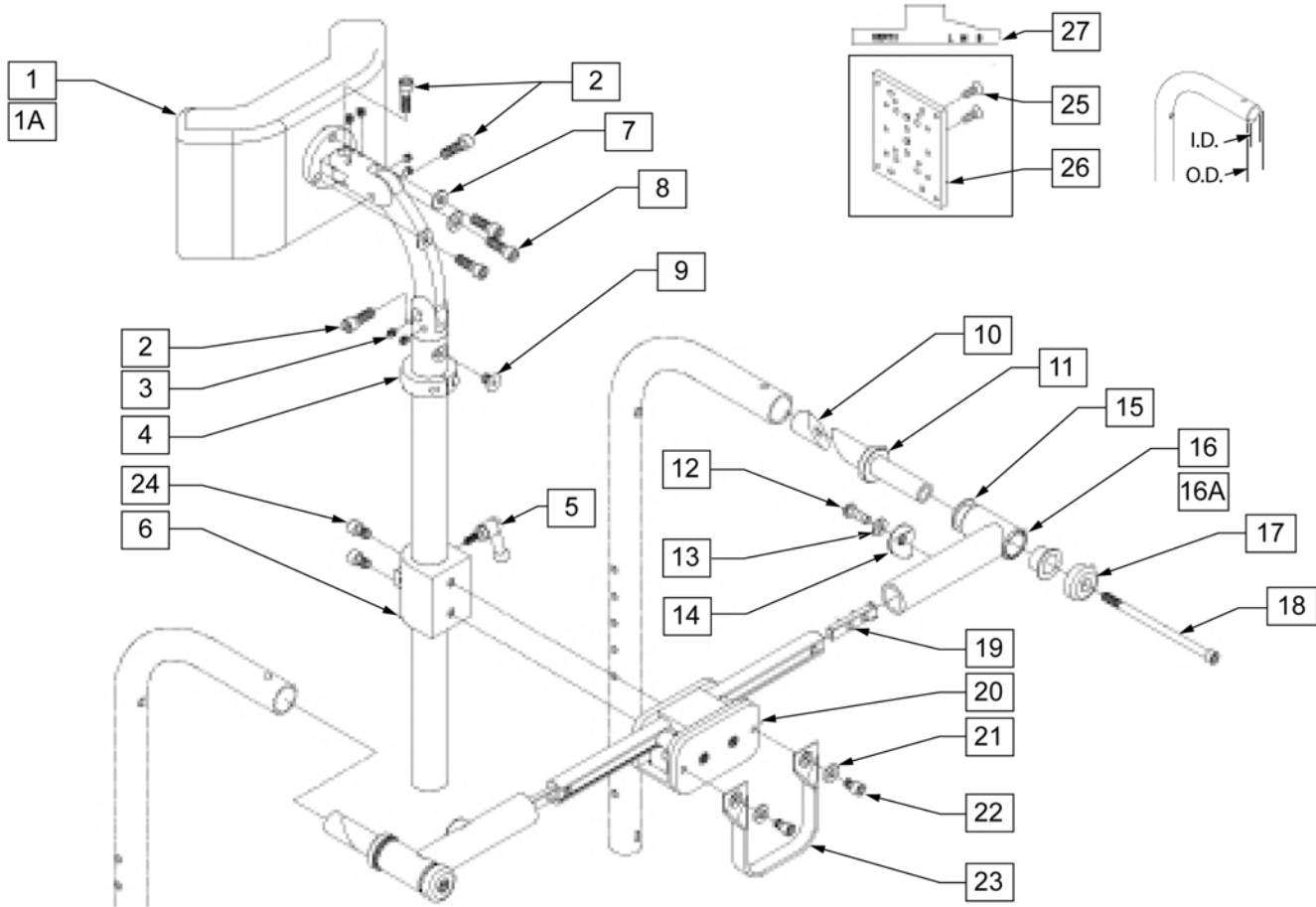


Pos.	Item Number	Description	Remarks
1A	683358	JAY BACK UPH BACK CANE COVER MEDIUM	LEFT 10"-14" & 12"-16"
1A	683360	JAY BACK UPH BACK CANE COVER MEDIUM	RIGHT 10"-14" & 12"-16"
1B	683357	JAY BACK UPH BACK CANE COVER TALL	LEFT 14"-18" & 16"-20"
1B	683359	JAY BACK UPH BACK CANE COVER TALL	RIGHT 14"-18" & 16"-20"
1C	683362	JAY BACK UPH BACK CANE COVER NO LATERAL MEDIUM	LEFT 10"-14" & 12"-16"
1C	683364	JAY BACK UPH BACK CANE COVER NO LATERAL MEDIUM	RIGHT 10"-14" & 12"-16"
1D	683361	JAY BACK UPH BACK CANE COVER NO LATERAL TALL	LEFT 14"-18" & 16"-20"
1D	683363	JAY BACK UPH BACK CANE COVER NO LATERAL TALL	RIGHT 14"-18" & 16"-20"
2A	683305	JAY BACK UPH 14W MEDIUM	10"-14" & 12"-16"
2A	683307	JAY BACK UPH 15W MEDIUM	10"-14" & 12"-16"

Pos.	Item Number	Description	Remarks
2A	683309	JAY BACK UPH 16W MEDIUM	10"-14" & 12"-16"
2A	683311	JAY BACK UPH 17W MEDIUM	10"-14" & 12"-16"
2A	683313	JAY BACK UPH 18W MEDIUM	10"-14" & 12"-16"
2A	683315	JAY BACK UPH 19W MEDIUM	10"-14" & 12"-16"
2A	683317	JAY BACK UPH 20W MEDIUM	10"-14" & 12"-16"
2B	683306	JAY BACK UPH 14W TALL	14"-18" & 16"-20"
2B	683308	JAY BACK UPH 15W TALL	14"-18" & 16"-20"
2B	683310	JAY BACK UPH 16W TALL	14"-18" & 16"-20"
2B	683312	JAY BACK UPH 17W TALL	14"-18" & 16"-20"
2B	683314	JAY BACK UPH 18W TALL	14"-18" & 16"-20"
2B	683316	JAY BACK UPH 19W TALL	14"-18" & 16"-20"
2B	683318	JAY BACK UPH 20W TALL	14"-18" & 16"-20"
3	481800	UNI LATERAL BRKT JAY PRECISION	
4	226353	10-32 X 1 1/2 SOC HD C/S W/PL	
5	481810	UNI LATERAL BRKT SCR ROLL PIN	
6	481811	LATERAL BRKT PREC THD-ROLL PIN	
7	261204	#10 AN WASHER .063	
8	226043	10-32 x 1/2 BH C/S BL	
9	541144	LATERAL BRKT 1.5 W WLDMNT	RIGHT
9	541145	LATERAL BRKT 1.5 W WLDMNT	LEFT
10	881738	S/A ASSM JAY PRECISION	RIGHT
10	881739	S/A ASSM JAY PRECISION	LEFT
11	881109	1 NUT PLATE W/THREADED INSERT	
12	500914	SYMMETRIC LATERAL PANEL	Size 5"X5"
13	751314	2 x 2 VELCRO LOOP	
14	B672	BASE EXTENDED LATERAL	
17	501140	ASYMMETRIC LATERAL PANEL	Size 10"X3.25"
18	697100	ASYMMETRIC LATERAL PANEL EDGE TRIM	
19	683319	JAY BACK UPH INT LATERAL COVER ASYMMETRIC	LEFT
19	683320	JAY BACK UPH INT LATERAL COVER ASYMMETRIC	RIGHT
3-6	880959	UNI LATERAL CLAMP ASSM	
20,21	923300	JAY BACK EXTENSION LATERAL COVER ASYMMETRIC 14-16	
20,21	923301	JAY BACK EXTENSION LATERAL COVER ASYMMETRIC 17-20	
15,16	923302	JAY BACK EXTENSION LATERAL COVER SYMMETRIC 14-16	
15,16	923303	JAY BACK EXTENSION LATERAL COVER SYMMETRIC 17-20	
1C,2	682520	JAY MEDIUM BACK UPH 14 W/O LATERAL	
1C,2	682521	JAY MEDIUM BACK UPH 15 W/O LATERAL	
1C,2	682522	JAY MEDIUM BACK UPH 16 W/O LATERAL	
1C,2	682523	JAY MEDIUM BACK UPH 17 W/O LATERAL	
1C,2	682524	JAY MEDIUM BACK UPH 18 W/O LATERAL	
1C,2	682525	JAY MEDIUM BACK UPH 19 W/O LATERAL	
1C,2	682526	JAY MEDIUM BACK UPH 20 W/O LATERAL	
1D,2B	682527	JAY TALL BACK UPH 14 W/O LATERAL	
1D,2B	682528	JAY TALL BACK UPH 15 W/O LATERAL	
1D,2B	682529	JAY TALL BACK UPH 16 W/O LATERAL	
1D,2B	682530	JAY TALL BACK UPH 17 W/O LATERAL	
1D,2B	682531	JAY TALL BACK UPH 18 W/O LATERAL	
1D,2B	682532	JAY TALL BACK UPH 19 W/O LATERAL	
1D,2B	682533	JAY TALL BACK UPH 20 W/O LATERAL	
1A,2A,3-8,10-16	682534	JAY MEDIUM BACK UPH 14 W/ FIX SYMMETRIC LATERAL	
1A,2A,3-8,10-16	682535	JAY MEDIUM BACK UPH 15 W/ FIX SYMMETRIC LATERAL	
1A,2A,3-8,10-16	682536	JAY MEDIUM BACK UPH 16 W/ FIX SYMMETRIC LATERAL	
1A,2A,3-8,10-16	682537	JAY MEDIUM BACK UPH 17 W/ FIX SYMMETRIC LATERAL	
1A,2A,3-8,10-16	682538	JAY MEDIUM BACK UPH 18 W/ FIX SYMMETRIC LATERAL	
1A,2A,3-8,10-16	682539	JAY MEDIUM BACK UPH 19 W/ FIX SYMMETRIC LATERAL	
1A,2A,3-8,10-16	682540	JAY MEDIUM BAC KUPH 20 W/ FIX SYMMETRIC LATERAL	
1A,2A,3-9,11-16	682541	JAY MEDIUM BACK UPH 14 W/ S/A SYMMETRIC LATERAL	

Pos.	Item Number	Description	Remarks
1A,2A,3-9,11-16	682542	JAY MEDIUM BACK UPH 15 W/ S/A SYMMETRIC LATERAL	
1A,2A,3-9,11-16	682543	JAY MEDIUM BACK UPH 16 W/ S/A SYMMETRIC LATERAL	
1A,2A,3-9,11-16	682544	JAY MEDIUM BACK UPH 17 W/ S/A SYMMETRIC LATERAL	
1A,2A,3-9,11-16	682545	JAY MEDIUM BACK UPH 18 W/ S/A SYMMETRIC LATERAL	
1A,2A,3-9,11-16	682546	JAY MEDIUM BACK UPH 19 W/ S/A SYMMETRIC LATERAL	
1A,2A,3-9,11-16	682547	JAY MEDIUM BACK UPH 20 W/ S/A SYMMETRIC LATERAL	
1B,2B,3-9,11-16	682562	JAY TALL BACK UPH 14 W/ FIX SYMMETRIC LATERAL	
1B,2B,3-9,11-16	682563	JAY TALL BACK UPH 15 W/ FIX SYMMETRIC LATERAL	
1B,2B,3-9,11-16	682564	JAY TALL BACK UPH 16 W/ FIX SYMMETRIC LATERAL	
1B,2B,3-9,11-16	682565	JAY TALL BACK UPH 17 W/ FIX SYMMETRIC LATERAL	
1B,2B,3-9,11-16	682566	JAY TALL BACK UPH 18 W/ FIX SYMMETRIC LATERAL	
1B,2B,3-9,11-16	682567	JAY TALL BACK UPH 19 W/ FIX SYMMETRIC LATERAL	
1B,2B,3-9,11-16	682568	JAY TALL BACK UPH 20 W/ FIX SYMMETRIC LATERAL	
1B,2B,3-8,10-16	682569	JAY TALL BACK UPH 14 W/ S/A SYMMETRIC LATERAL	
1B,2B,3-8,10-16	682570	JAY TALL BACK UPH 15 W/ S/A SYMMETRIC LATERAL	
1B,2B,3-8,10-16	682571	JAY TALL BACK UPH 16 W/ S/A SYMMETRIC LATERAL	
1B,2B,3-8,10-16	682572	JAY TALL BACK UPH 17 W/ S/A SYMMETRIC LATERAL	
1B,2B,3-8,10-16	682573	JAY TALL BACK UPH 18 W/ S/A SYMMETRIC LATERAL	
1B,2B,3-8,10-16	682574	JAY TALL BACK UPH 19 W/ S/A SYMMETRIC LATERAL	
1B,2B,3-8,10-16	682575	JAY TALL BACK UPH 20 W/ S/A SYMMETRIC LATERAL	
1A,2A,3-9,11,17-21	682576	JAY TALL BACK UPH 14 W/ FIX ASYMMETRIC LATERAL	
1A,2A,3-9,11,17-21	682577	JAY TALL BACK UPH 15 W/ FIX ASYMMETRIC LATERAL	
1A,2A,3-9,11,17-21	682578	JAY TALL BACK UPH 16 W/ FIX ASYMMETRIC LATERAL	
1A,2A,3-9,11,17-21	682579	JAY TALL BACK UPH 17 W/ FIX ASYMMETRIC LATERAL	
1A,2A,3-9,11,17-21	682580	JAY TALL BACK UPH 18 W/ FIX ASYMMETRIC LATERAL	
1A,2A,3-9,11,17-21	682581	JAY TALL BACK UPH 19 W/ FIX ASYMMETRIC LATERAL	
1A,2A,3-9,11,17-21	682582	JAY TALL BACK UPH 20 W/ FIX ASYMMETRIC LATERAL	
1A,2A,3-11,17-21	682583	JAY TALL BACK UPH 14 W/ S/A ASYMMETRIC LATERAL	
1A,2A,3-11,17-21	682584	JAY TALL BACK UPH 15 W/ S/A ASYMMETRIC LATERAL	
1A,2A,3-11,17-21	682585	JAY TALL BACK UPH 16 W/ S/A ASYMMETRIC LATERAL	
1A,2A,3-11,17-21	682586	JAY TALL BACK UPH 17 W/ S/A ASYMMETRIC LATERAL	
1A,2A,3-11,17-21	682587	JAY TALL BACK UPH 18 W/ S/A ASYMMETRIC LATERAL	
1A,2A,3-11,17-21	682588	JAY TALL BACK UPH 19 W/ S/A ASYMMETRIC LATERAL	
1A,2A,3-11,17-21	682589	JAY TALL BACK UPH 20 W/ S/A ASYMMETRIC LATERAL	

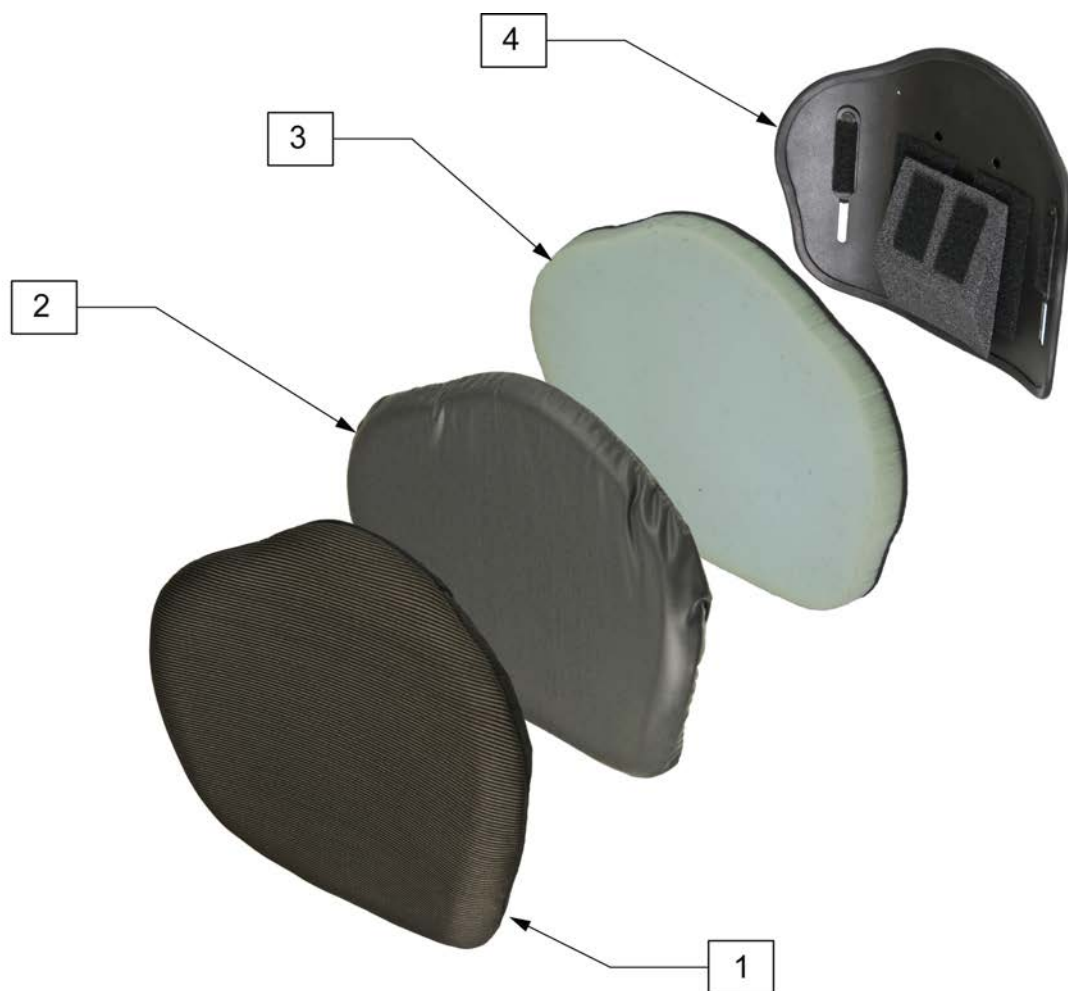
STUD WEDGE SIZE FOR:	SMALL	MEDIUM	LARGE
AVERAGE INSIDE DIM	3/4"	7/8"	1"
<u>MOST</u> OUTSIDE DIM	0.575 - 0.638	0.700 - 0.785	0.825 - 0.910



Pos.	Item Number	Description	Remarks
1A	750696	HEADREST W/ ZIPPER MEDIUM CG	8" X 4" Pad

Pos.	Item Number	Description	Remarks
1B	750697	HEADREST W/ ZIPPER LARGE CG	9" X 4.5" Pad
2	221115	1/4 - 20 X 3/4 SOC HD C/S BLK	
3	341045	#10 - 24 CONE POINT SET SCREW	
4	505933	HEADREST COLLAR	
5	341046	HEADREST CLAMPING HANDLE SCREW	
6	881003	CLAMP AND TUBE	
7	261204	#10 AN WASHER .063	
8	221010	10 - 32 X .75 SHCS BLK W/ PL	
9	226072	1/4 - 20 X 1/2 FH C/S BLK	
10A	520855	NUT WEDGE SMALL	
10B	520816	NUT WEDGE MEDIUM	
10C	520856	NUT WEDGE LARGE	
11A	520857	STUD WEDGE SMALL	
11B	520815	STUD WEDGE MEDIUM	
11C	520858	STUD WEDGE LARGE	
12	226064	1/4 - 28 X 3/4 BH C/S BLK W/PATCH	
13	106943	WASHER FLAT AN 1/4 ROHS	
14	561004	1 SADDLE 1/4 HOLE	
15	349595	BEARING IGUS 3/8 X 15/32 X 1/2	
16A	542158	HEADREST PVT TB WELDMOUNT 14 - 17	
16B	542159	HEADREST PVT TB WELDMOUNT 17 - 20	
17	483342	STUD WEDGE CAP	
18	226351	1/4 - 20 X 4 - 1/2 SOC HD BLK ZINC	
19	500078	INSERT D2 EXT TUBE	
21	106943	WASHER FLAT AN 1/4 ROHS	
22	226095	1/4 - 20 X 4 - 3/8 SOC HD BLK ZINC	
23	750552	ZGS FOLDING STRAP	
24	226095	1/4 - 20 X 4 - 3/8 SOC HD BLK ZINC	
25	226076	1/4 - 28 X 1/2 FH C/S W/ PATCH	
26	XM2025	MNTNG PLATE/PEDIAT.HEAD REST	
27	342046	MEASURING TOOL FOLD HEADREST	
2-9	883350	HEADREST MOUNTING BRACKET ASSM EURO	
20-24	888920	CENTER MOUNT FOLD HEADREST ASSM	
21-23	750104	FOLD STABALIZER BAR STRAP ASSM	
10, 11, 17, 18	881897	STUD WEDGE ASSM SMALL	
10, 11, 17, 18	881898	STUD WEDGE ASSM MEDIUM	
10, 11, 17, 18	881899	STUD WEDGE ASSM LARGE	
10-15, 16A, 17-20	820750	STABALIZER BAR ASSM 14 - 17 SMALL	
10-15, 16A, 17-20	820751	STABALIZER BAR ASSM 14 - 17 MEDIUM	
10-15, 16A, 17-20	820752	STABALIZER BAR ASSM 14 - 17 LARGE	
10-15, 16B, 17-20	820753	STABALIZER BAR ASSM 17 - 20 SMALL	
10-15, 16B, 17-20	820754	STABALIZER BAR ASSM 17 - 20 MEDIUM	
10-15, 16B, 17-20	820755	STABALIZER BAR ASSM 17 - 20 LARGE	
1-15, 16A, 17-20	820760	STABALIZER W/ MEDIUM HEADREST 14 - 17 SMALL	
1-15, 16A, 17-20	820761	STABALIZER W/ MEDIUM HEADREST 14 - 17 MEDIUM	
1-15, 16A, 17-20	820762	STABALIZER W/ MEDIUM HEADREST 14 - 17 LARGE	
1-15, 16B, 17-20	820763	STABALIZER W/ MEDIUM HEADREST 17 - 20 SMALL	
1-15, 16B, 17-20	820764	STABALIZER W/ MEDIUM HEADREST 17 - 20 MEDIUM	
1-15, 16B, 17-20	820765	STABALIZER W/ MEDIUM HEADREST 17 - 20 LARGE	
1A, 2-15, 16A, 17-20	820766	STABALIZER W/ LARGE HEADREST 14 - 17 SMALL	
1A, 2-15, 16A, 17-20	820767	STABALIZER W/ LARGE HEADREST 14 - 17 MEDIUM	
1A, 2-15, 16A, 17-20	820768	STABALIZER W/ LARGE HEADREST 14 - 17 LARGE	
1A, 2-15, 16B, 17-20	820769	STABALIZER W/ LARGE HEADREST 17 - 20 SMALL	
1A, 2-15, 16B, 17-20	820770	STABALIZER W/ LARGE HEADREST 17 - 20 MEDIUM	
1A, 2-15, 16B, 17-20	820771	STABALIZER W/ LARGE HEADREST 17 - 20 LARGE	

NOTE: Parts only, for complete Backrest see Jay Zip Back order form.

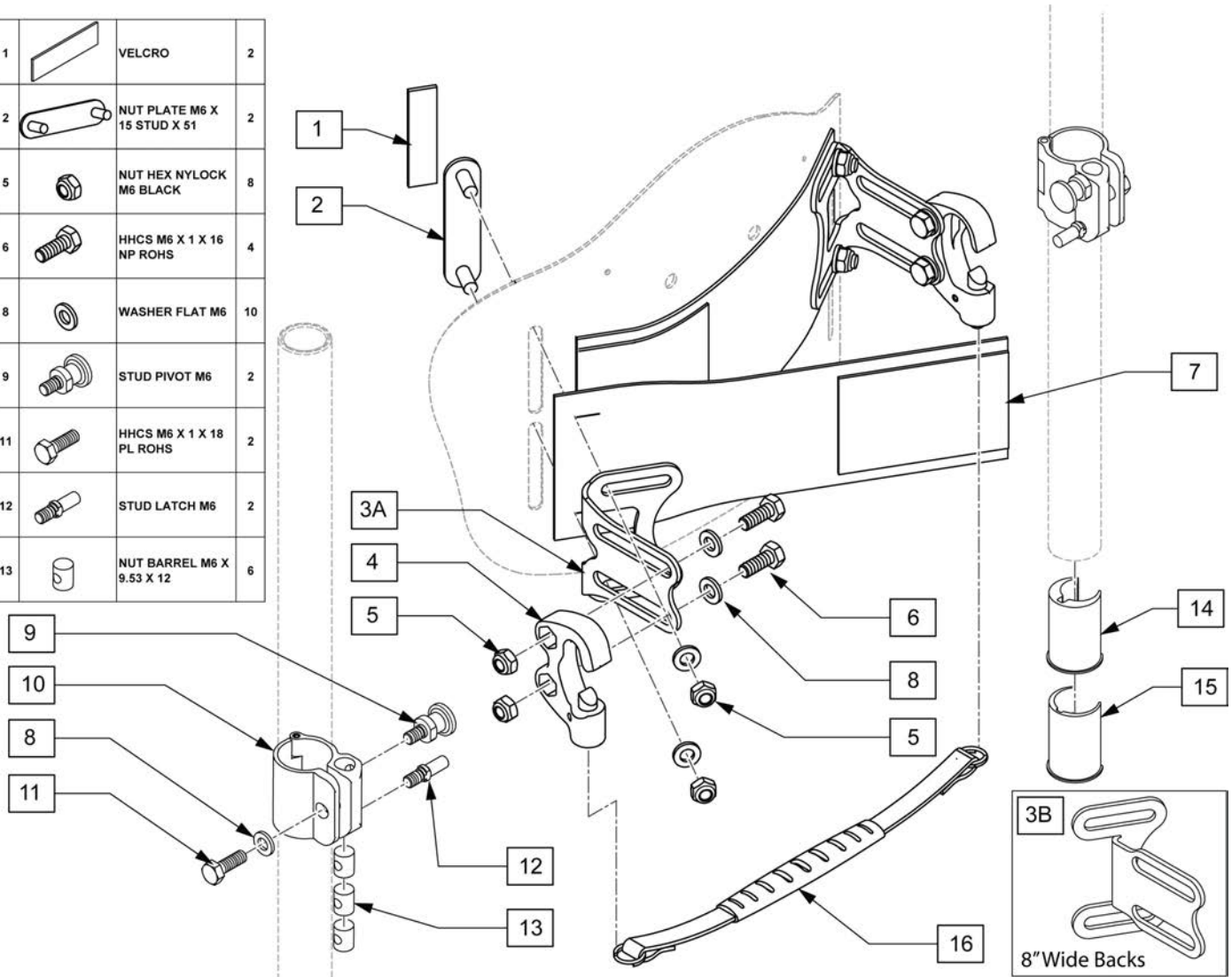


Pos.	Item Number	Description	Pos.	Item Number	Description
1	CJZIPB08M	COVER JAY ZIP BACK 8W MED	2	ICJZIPB08T	IN COV JAY ZIP BACK 8W TALL
1	CJZIPB08S	COVER JAY ZIP BACK 8W SHORT	2	ICJZIPB08X	IN COV JAY ZIP BACK 8W XTALL
1	CJZIPB08T	COVER JAY ZIP BACK 8W TALL	2	ICJZIPB10M	IN COV JAY ZIP BACK 10W MED
1	CJZIPB08X	COVER JAY ZIP BACK 8W XTALL	2	ICJZIPB10S	IN COV JAY ZIP BACK 10W SHORT
1	CJZIPB10M	COVER JAY ZIP BACK 10W MED	2	ICJZIPB10T	IN COV JAY ZIP BACK 10W TALL
1	CJZIPB10S	COVER JAY ZIP BACK 10W SHORT	2	ICJZIPB10X	IN COV JAY ZIP BACK 10W XTALL
1	CJZIPB10T	COVER JAY ZIP BACK 10W TALL	2	ICJZIPB12M	IN COV JAY ZIP BACK 12W MED
1	CJZIPB10X	COVER JAY ZIP BACK 10W XTALL	2	ICJZIPB12S	IN COV JAY ZIP BACK 12W SHORT
1	CJZIPB12M	COVER JAY ZIP BACK 12W MED	2	ICJZIPB12T	IN COV JAY ZIP BACK 12W TALL
1	CJZIPB12S	COVER JAY ZIP BACK 12W SHORT	2	ICJZIPB12X	IN COV JAY ZIP BACK 12W XTALL
1	CJZIPB12T	COVER JAY ZIP BACK 12W TALL	2	ICJZIPB14M	IN COV JAY ZIP BACK 14W MED
1	CJZIPB12X	COVER JAY ZIP BACK 12W XTALL	2	ICJZIPB14S	IN COV JAY ZIP BACK 14W SHORT
1	CJZIPB14M	COVER JAY ZIP BACK 14W MED	2	ICJZIPB14T	IN COV JAY ZIP BACK 14W TALL
1	CJZIPB14S	COVER JAY ZIP BACK 14W SHORT	2	ICJZIPB14X	IN COV JAY ZIP BACK 14W XTALL
1	CJZIPB14T	COVER JAY ZIP BACK 14W TALL	3	BJZIPB08M	FOAM JAY ZIP BACK 8W MED
1	CJZIPB14X	COVER JAY ZIP BACK 14W XTALL	3	BJZIPB08S	FOAM JAY ZIP BACK 8W SHORT
2	ICJZIPB08M	IN COV JAY ZIP BACK 8W MED	3	BJZIPB08T	FOAM JAY ZIP BACK 8W TALL
2	ICJZIPB08S	IN COV JAY ZIP BACK 8W SHORT	3	BJZIPB08X	FOAM JAY ZIP BACK 8W XTALL

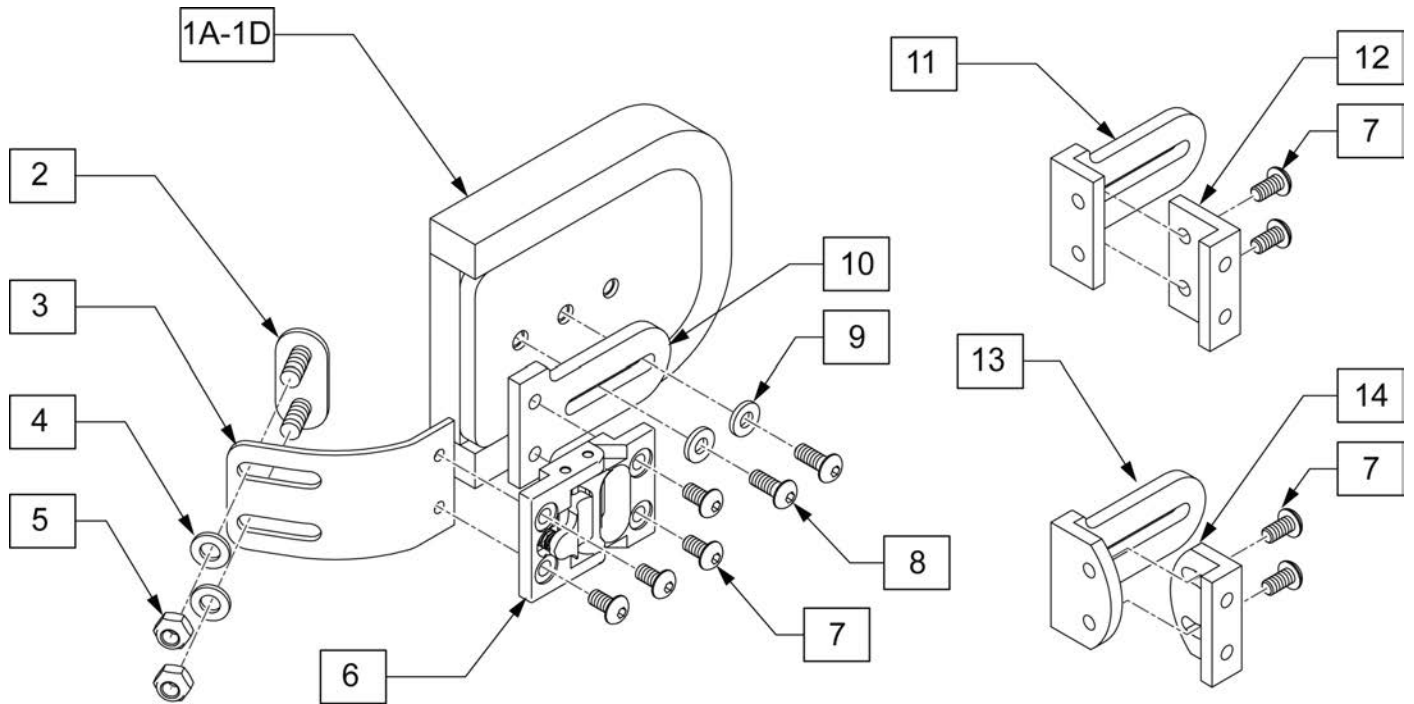
Pos.	Item Number	Description	Pos.	Item Number	Description
3	BJZIPB10M	FOAM JAY ZIP BACK 10W MED	4	SJZIPB08T	SHELL JAY ZIP BACK 8W TALL
3	BJZIPB10S	FOAM JAY ZIP BACK 10W SHORT	4	SJZIPB08X	SHELL JAY ZIP BACK 8W XTALL
3	BJZIPB10T	FOAM JAY ZIP BACK 10W TALL	4	SJZIPB10M	SHELL JAY ZIP BACK 10W MED
3	BJZIPB10X	FOAM JAY ZIP BACK 10W XTALL	4	SJZIPB10S	SHELL JAY ZIP BACK 10W SHORT
3	BJZIPB12M	FOAM JAY ZIP BACK 12W MED	4	SJZIPB10T	SHELL JAY ZIP BACK 10W TALL
3	BJZIPB12S	FOAM JAY ZIP BACK 12W SHORT	4	SJZIPB10X	SHELL JAY ZIP BACK 10W XTALL
3	BJZIPB12T	FOAM JAY ZIP BACK 12W TALL	4	SJZIPB12M	SHELL JAY ZIP BACK 12W MED
3	BJZIPB12X	FOAM JAY ZIP BACK 12W XTALL	4	SJZIPB12S	SHELL JAY ZIP BACK 12W SHORT
3	BJZIPB14M	FOAM JAY ZIP BACK 14W MED	4	SJZIPB12T	SHELL JAY ZIP BACK 12W TALL
3	BJZIPB14S	FOAM JAY ZIP BACK 14W SHORT	4	SJZIPB12X	SHELL JAY ZIP BACK 12W XTALL
3	BJZIPB14T	FOAM JAY ZIP BACK 14W TALL	4	SJZIPB14M	SHELL JAY ZIP BACK 14W MED
3	BJZIPB14X	FOAM JAY ZIP BACK 14W XTALL	4	SJZIPB14S	SHELL JAY ZIP BACK 14W SHORT
4	SJZIPB08M	SHELL JAY ZIP BACK 8W MED	4	SJZIPB14T	SHELL JAY ZIP BACK 14W TALL
4	SJZIPB08S	SHELL JAY ZIP BACK 8W SHORT	4	SJZIPB14X	SHELL JAY ZIP BACK 14W XTALL

NOTE: Parts only, for complete Backrest see JAY ZIP Back order form.

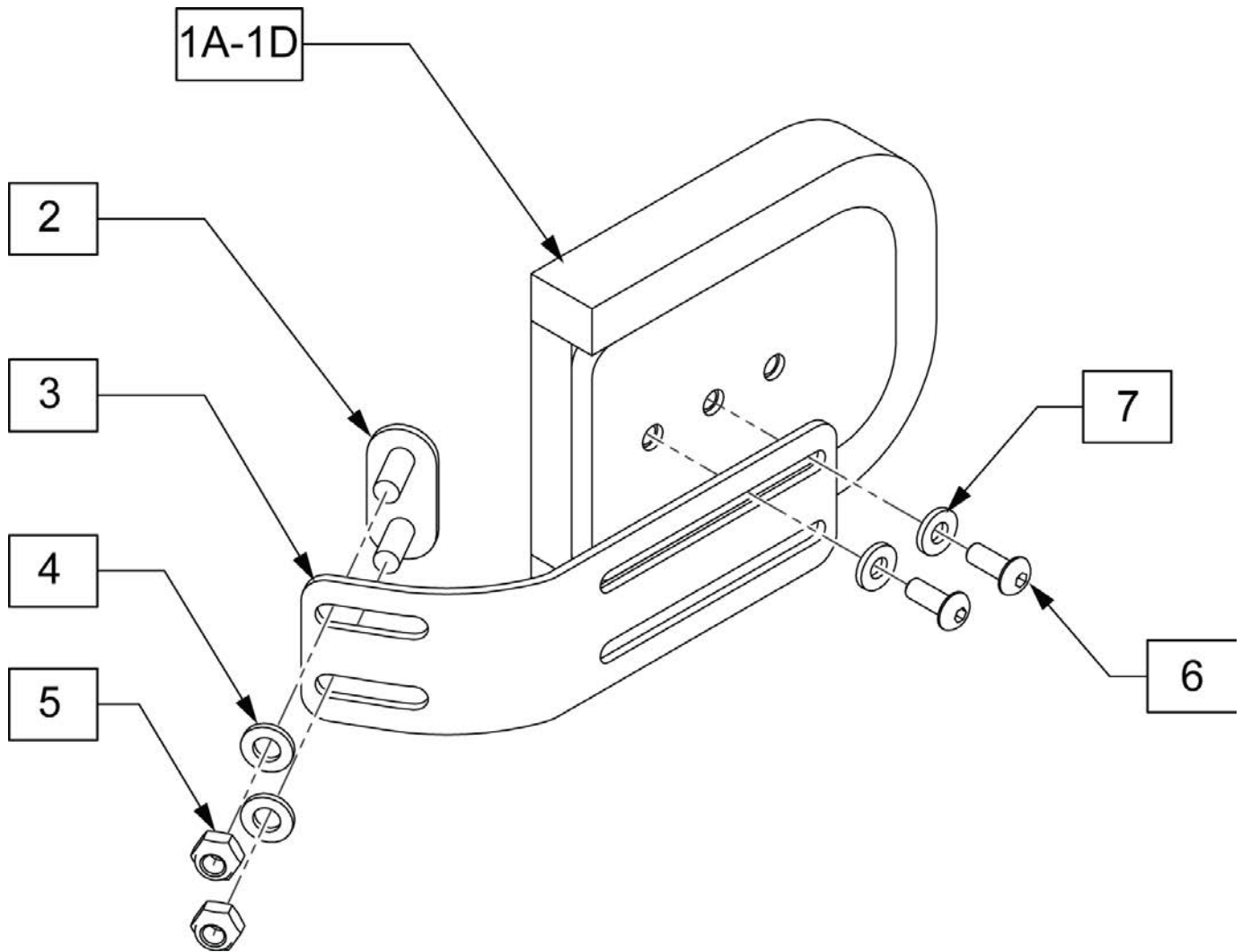
1		VELCRO	2
2		NUT PLATE M6 X 15 STUD X 51	2
5		NUT HEX NYLOCK M6 BLACK	8
6		HHCS M6 X 1 X 16 NP ROHS	4
8		WASHER FLAT M6	10
9		STUD PIVOT M6	2
11		HHCS M6 X 1 X 18 PL ROHS	2
12		STUD LATCH M6	2
13		NUT BARREL M6 X 9.53 X 12	6



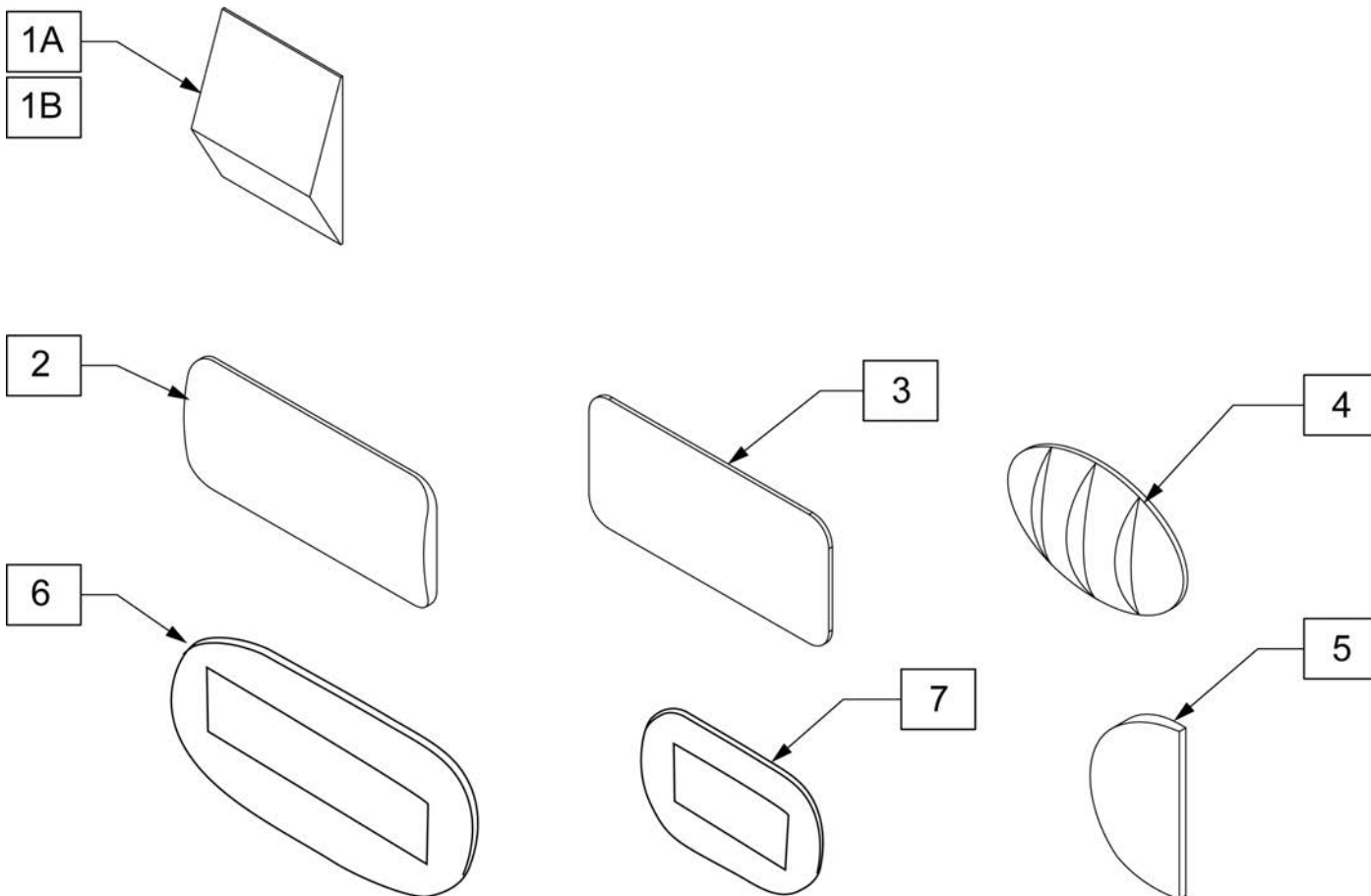
Pos.	Item Number	Description	Remarks
5	210084	NUT HEX NYLOCK M6 BLACK	
7	120982	COVER HRDWR KIT SM PR	
7	120983	COVER HRDWR KIT LG PR	
8	250104	WASHER FLAT M6	
16	120985	ZIP BACK LANYARD 8-9W	
16	120986	ZIP BACK LANYARD 10-11W	
16	120987	ZIP BACK LANYARD 12-13W	
16	120988	ZIP BACK LANYARD 14-15W	
8-13	120979	TUBE CLAMP ASSM 1IN PR	Pair
14-15	120984	CLAMP INSERTS KIT 2 PR	
1-3A,5,8	120981	SHELL MOUNT BRKT KIT PR	
1-3B,5,8	121111	8W SHELL MOUNT BRKT KIT PR	
4-6,8	120980	MOUNT RECEIVER KIT PR	
1,2,5,6,8,9,11-13	120978	JAY ZIP BACK FASTNER KIT	



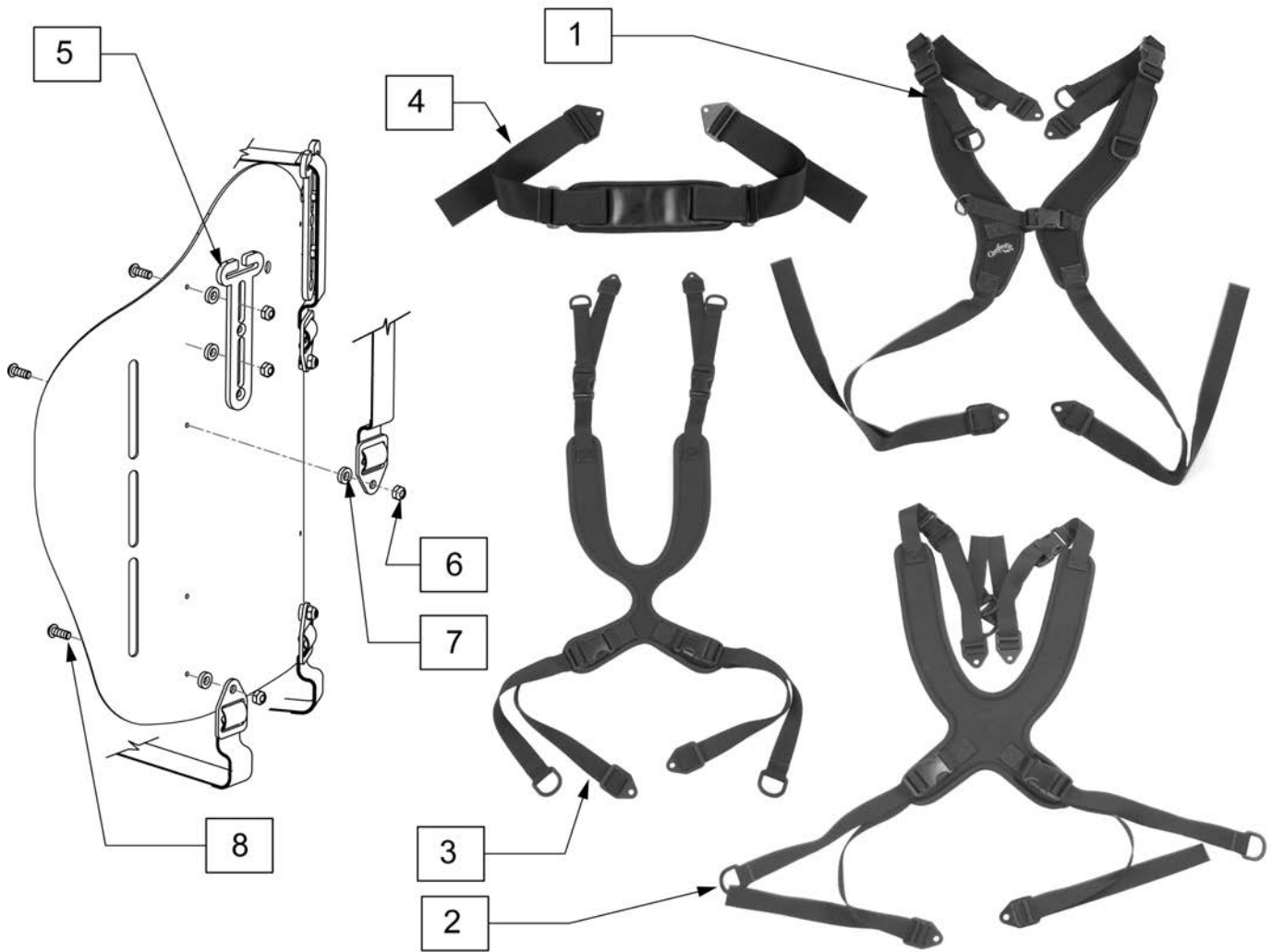
Pos.	Item Number	Description	Remarks
1A	120992	THOR SUPP PAD FLAT 3X4 PR	single pad
1B	120993	THOR SUPP PAD FLAT 4X5 PR	single pad
1C	120994	THOR SUPP PAD CURVED 3X4 PR	single pad
1D	120995	THOR SUPP PAD CURVED 4X5 PR	single pad
4	250104	WASHER FLAT M6	
5	210084	NUT HEX NYLOCK M6 BLACK	
6	PRT7500	LK, HINGE ASSEMBLY	
7	226018-QU	10-32 X 3/8 BH C/S W/PATCH BLK	
8	XM2141S	10-32X.50 BHCS W/PATCH	
9	113282S	WASHER FLAT AN #10 ROHS	
10	PRT7625	LK, PAD MOUNT	
11	PRT7627	LK, PAD MOUNT PLATE, OFFSET	
12	PRT7626	LK, 1" OFF ADAPT FOR E-Z	
13	PRT7653	OFFSET PAD MOUNT 20 DEG, LK	
14	PRT7651	1" OFFSET MOUNT 20 DEG, LK	
15	COV2650	LAT BRKT FABRIC COVER,LK,SHORT	
2-5	120989	ZIP BACK SA LAT BRKT KIT PR	



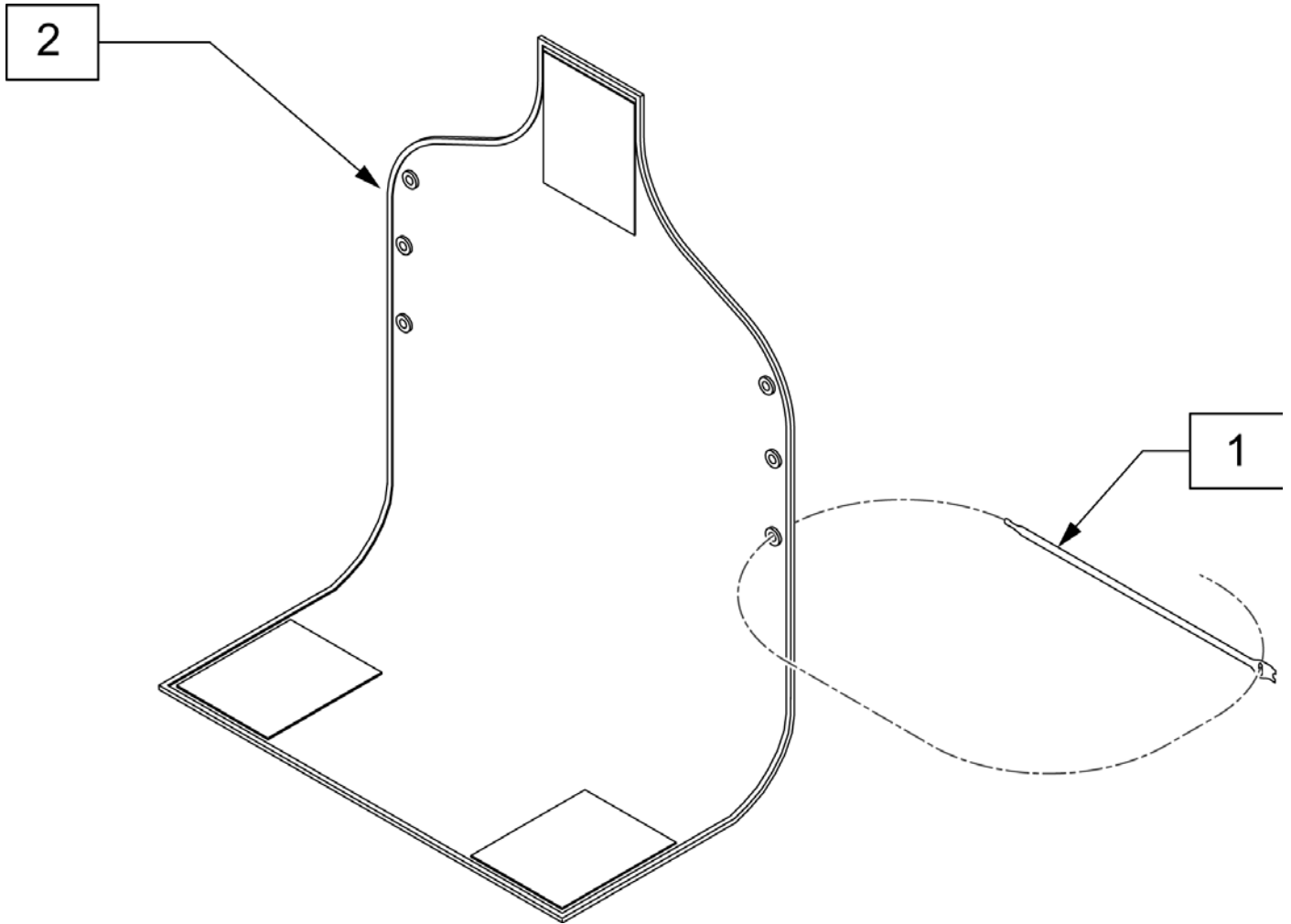
Pos.	Item Number	Description	Remarks
1A	120992	THOR SUPP PAD FLAT 3X4 PR	single pad
1B	120993	THOR SUPP PAD FLAT 4X5 PR	single pad
1C	120994	THOR SUPP PAD CURVED 3X4 PR	single pad
1D	120995	THOR SUPP PAD CURVED 4X5 PR	single pad
4	250104	WASHER FLAT M6	
5	210084	NUT HEX NYLOCK M6 BLACK	
6	XM2141S	10-32X.50 BHCS W/PATCH	
7	113282S	WASHER FLAT AN #10 ROHS	
8	COV2650	LAT BRKT FABRIC COVER,LK,SHORT	
2-5	120990	ZIP BACK FX LAT BRKT KIT PR	



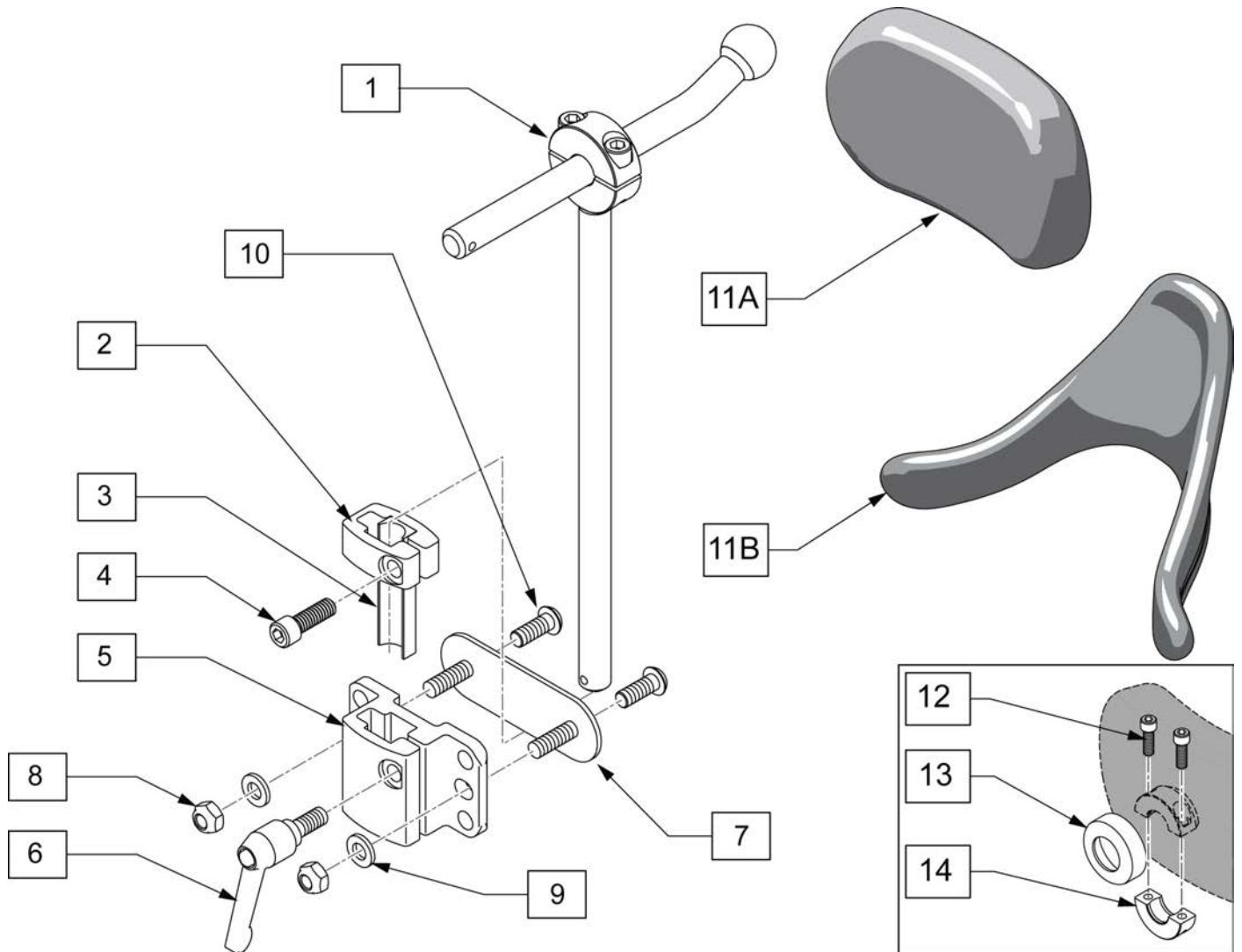
Pos.	Item Number	Description	Remarks
1A	103714-001S	LUMBAR SUPP SM BLK 3.5W W/VEL	
1B	103714-005S	LUMBAR SUPP SM BLK 1.8W W/VEL	
2	J3SPNCR	CURVED SHIM	
3	J3SPNFL	FLAT SHIM	
4	J3SPNLP	POS/LATERAL PELVIC	
5	J3SPNLS	SHIM, LATERAL	
6	J3SPNBL	BEAN BAG, LARGE	Approx 5.25" X 10"
7	J3SPNBS	BEAN BAG, SMALL	Approx 3" X 6"



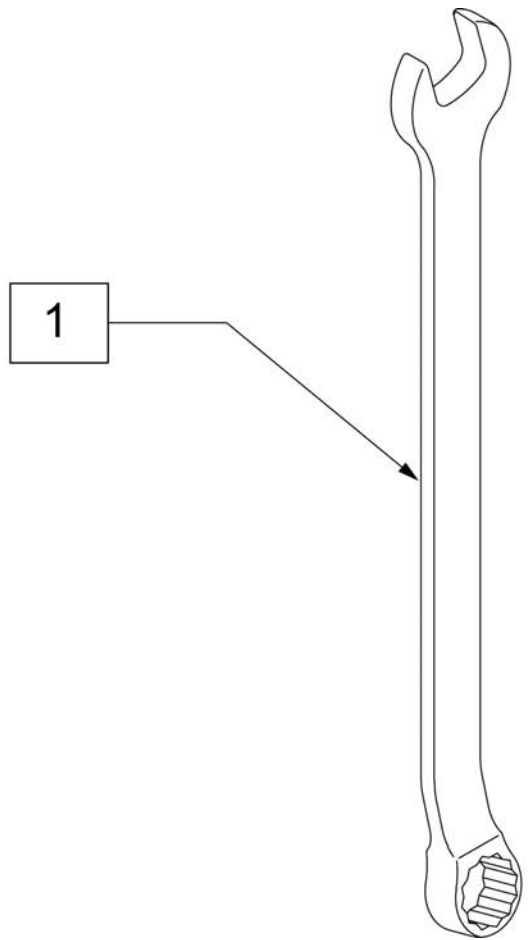
Pos.	Item Number	Description	Pos.	Item Number	Description
1	ATS9407	Center Opening w/ Buckle (EI)	3	ATS9100	Contoured - Dynamic Pull Down (XS)
1	ATS9400	Center Opening w/ Buckle (XS)	3	ATS9101	Contoured - Dynamic Pull Down (S)
1	ATS9401	Center Opening w/ Buckle (S)	3	ATS9102	Contoured - Dynamic Pull Down (M)
1	ATS9402	Center Opening w/ Buckle (M)	3	ATS9300	Contoured - Structured Pull Down (XS)
2	ATS8107	Classic - Dynamic Pull Down (EI)	3	ATS9301	Contoured - Structured Pull Down (S)
2	ATS8100	Classic - Dynamic Pull Down (XS)	3	ATS9302	Contoured - Structured Pull Down (M)
2	ATS8101	Classic - Dynamic Pull Down (S)	4	ATS4050	Padded Anterior Trunk Straps (XS)
2	ATS8102	Classic - Dynamic Pull Down (M)	4	ATS4000	Padded Anterior Trunk Straps (S)
2	ATS8300	Classic - Structured Pull Down (XS)	4	ATS4100	Padded Anterior Trunk Straps (M)
2	ATS8301	Classic - Structured Pull Down (S)	5	J3GPSG	GOAL POST SHOULDER STRAP GUIDE
2	ATS8302	Classic - Structured Pull Down (M)	6,7,8	J3HHP	Harness Hardware Pack
3	ATS9107	Contoured - Dynamic Pull Down (EI)			



Pos.	Item Number	Description	Remarks
1	116527S	VELCRO TIE,1 WRAP.75"X12",BLK	
1,2	117096	VANITY FLAP, J3 BACK 12W	Includes 4 velcro ties
1,2	117097	VANITY FLAP, J3 BACK 14W	Includes 4 velcro ties
1,2	117098	VANITY FLAP, J3 BACK 16W	Includes 4 velcro ties
1,2	117099	VANITY FLAP, J3 BACK 18W	Includes 4 velcro ties
1,2	117100	VANITY FLAP, J3 BACK 20W	Includes 4 velcro ties
1,2	117101	VANITY FLAP, J3 BACK 22W	Includes 4 velcro ties
1,2	117102	VANITY FLAP, J3 BACK 24W	Includes 4 velcro ties
1,2	117103	VANITY FLAP, J3 BACK 26W	Includes 4 velcro ties
1,2	VF08	VANITY FLAP 8-9 IN	Includes 4 velcro ties
1,2	VF10	VANITY FLAP 10-11 IN	Includes 4 velcro ties
1,2	VF12	VANITY FLAP 12-13 IN	Includes 4 velcro ties
1,2	VF14	VANITY FLAP 14-15 IN	Includes 4 velcro ties

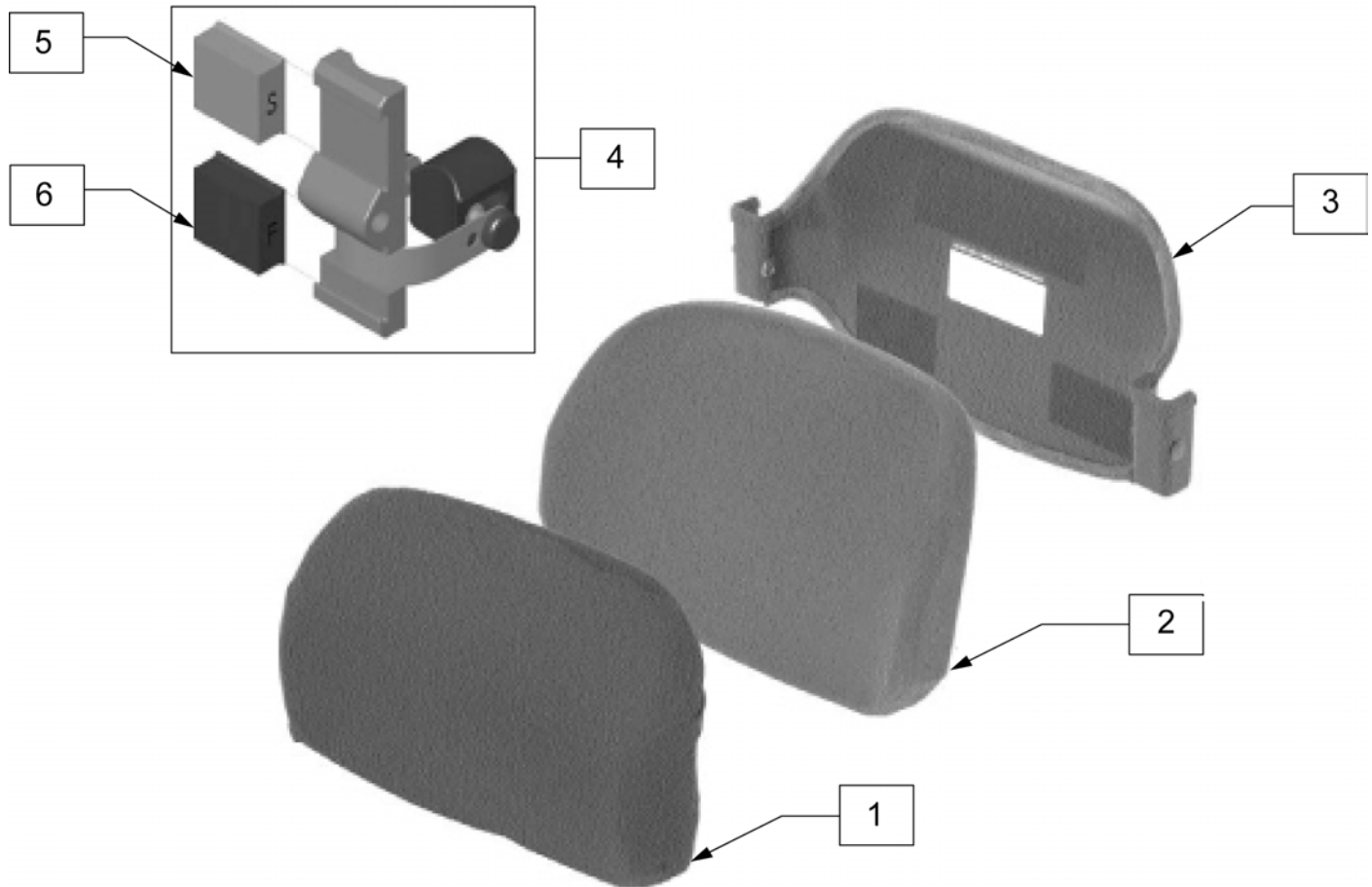


Pos.	Item Number	Description
1	OX7030	ONYX CORE MOUNT HDW, PED
5	MW070230S	MT .5 SQR TUBING RECIEVER BLK
6	M0030	KNOB PLAS ADJ LVR 1/4-20X20MM
7	102971-001S	NUT PLATE M6 STUD SHORT X 51
8	210084	NUT HEX NYLOCK M6 BLACK
9	250104	WASHER FLAT M6
10	103185-006	BHCS M6X1X16 NP BLK
1-10	120452S	ZIP HEADREST ASSM
2-4	120991	HDRST STOP BLK KIT
12	MF014600	1/4-28X5/8" SHCS- COLLAR BOLT
13	MC100-WB	COVER 3/4" COLLAR/VINYL BLACK
14	MW027100	COLLAR HALF RAD 3/4" THD. BLCK
11A-14	P600L	OCCIP PAD, ADULT, LYCRA
11A-14	P800L	PLUSH PAD, 8 IN LYCRA
11B-14	INFT200LS	PAD INF CONTRD CRADLE LYCRA
11B-14	P200L	CONT CRADLE PAD, SM, LYCRA



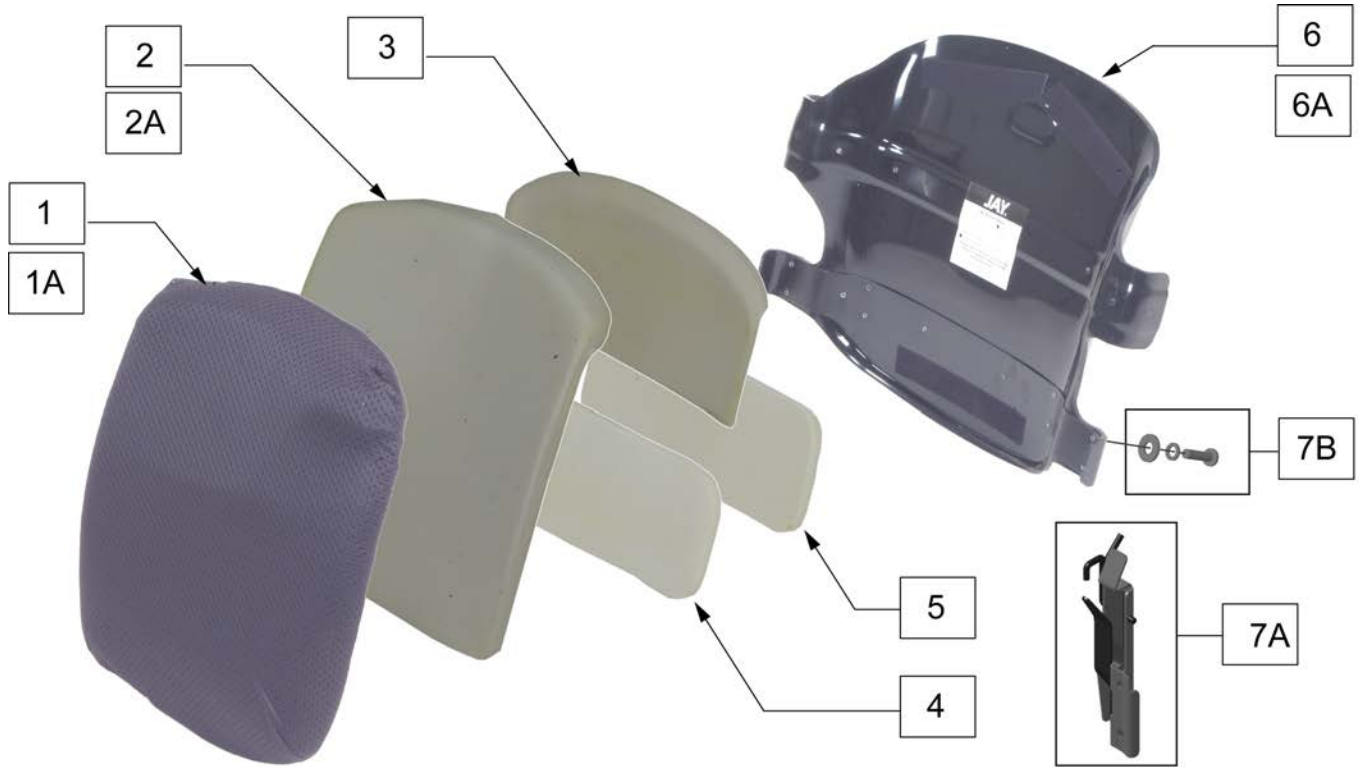
Pos.	Item Number	Description
1	104549S	COMBO WRENCH 10MM

Note: Item 3 Shell does not include pins or mounting hardware, please order separately.



Pos.	Item Number	Description	Remarks
1	C1913	COVER EXTREME BACK 13 X 10	
1	C1914	COVER EXTREME BACK 14 X 10	
1	C1915	COVER EXTREME BACK 15 X 10	
1	C1916	COVER EXTREME BACK 16 X 10	
1	C1917	COVER EXTREME BACK 17 X 10	
1	C1918	COVER EXTREME BACK 18 X 10	
2	B1913	FOAM BASE EXTREME BACK 13 X 10	
2	B1914	FOAM BASE EXTREME BACK 14 X 10	
2	B1915	FOAM BASE EXTREME BACK 15 X 10	
2	B1916	FOAM BASE EXTREME BACK 16 X 10	
2	B1917	FOAM BASE EXTREME BACK 17 X 10	
2	B1918	FOAM BASE EXTREME BACK 18 X 10	
3	S1913	SHELL EXTREME BACK 13 X 10	
3	S1914	SHELL EXTREME BACK 14 X 10	
3	S1915	SHELL EXTREME BACK 15 X 10	
3	S1916	SHELL EXTREME BACK 16 X 10	
3	S1917	SHELL EXTREME BACK 17 X 10	
3	S1918	SHELL EXTREME BACK 18 X 10	

Pos.	Item Number	Description	Remarks
4	M-1980	HEIGHT ADJUSTMENT PERM. MOUNT HARDWARE	PAIR
5	M-1901	SOFT ELASTOMERES	
6	M-1902	FIRM ELASTOMERES	
7	M-1904	MOUNTING PINS KIT XTREME BACK	



Pos.	Item Number	Description
1	C520	COVER JAY BACK 18
1	C525	COVER JAY BACK 16
1	C528	COVER JAY BACK 14
1A	C521	COVER JAY BACK 18 TALL
1A	C523	COVER JAY BACK 20 TALL
1A	C526	COVER JAY BACK 16TALL
2	B520	BASE JAY BACK 18
2	B525	BASE JAY BACK 16
2	B528	BASE JAY BACK 14
2A	B521	BASE JAY BACK 18 TALL
2A	B523	BASE JAY BACK 20 TALL
2A	B526	BASE JAY BACK 16 TALL
3-5	B520W	JAY BACK WEDGE LUMBAR SHIM 18
3-5	B525W	JAY BACK WEDGE LUMBAR SHIM 16
3-5	B528W	JAY BACK WEDGE LUMBAR SHIM 14
3-5	B523W	JAY BACK WEDGE LUMBAR SHIM 20
6	S520	JAY BACK SHELL 18
6	S522	JAY BACK SHELL 17
6	S525	JAY BACK SHELL 16
6	S527	JAY BACK SHELL 15
6	S528	JAY BACK SHELL 14
6A	S521	JA BACK SHELL 18 TALL
6A	S523	JA BACK SHELL 20 TALL
6A	S526	JA BACK SHELL 16 TALL
7A	581	POST CLIP ASSEMBLY JA BACK
7B	582	PERMANENT MOUNT ASSEMBLY

* SHIPS STANDARD WITH JAY ACTIVE CUSHION



Pos.	Item Number	Description	Remarks
1A	C120A	JAY ACTIVE COVER AIR EXCHANGE 18x16	
1A	C121A	JAY ACTIVE COVER AIR EXCHANGE 18x18	
1A	C125A	JAY ACTIVE COVER AIR EXCHANGE 16x16	
1A	C126A	JAY ACTIVE COVER AIR EXCHANGE 16x18	
1A	C128A	JAY ACTIVE COVER AIR EXCHANGE 14x16	
1A	C122A	JAY ACTIVE COVER AIR EXCHANGE 20x18	
1A	C123A	JAY ACTIVE COVER AIR EXCHANGE 18x20	
1A	C127A	JAY ACTIVE COVER AIR EXCHANGE 16x20	
1B	C120N	JAY ACTIVE COVER INCONTINENT 18x16	
1B	C121N	JAY ACTIVE COVER INCONTINENT 18x18	
1B	C125N	JAY ACTIVE COVER INCONTINENT 16x16	
1B	C126N	JAY ACTIVE COVER INCONTINENT 16x18	
1B	C128N	JAY ACTIVE COVER INCONTINENT 14x16	
1B	C122N	JAY ACTIVE COVER INCONTINENT 20x18	
1B	C123N	JAY ACTIVE COVER INCONTINENT 18x20	
1B	C127N	JAY ACTIVE COVER INCONTINENT 16x20	
2	F120	JAY ACTIVE FLUID PAD 18x16	
2	F121	JAY ACTIVE FLUID PAD 18x18	

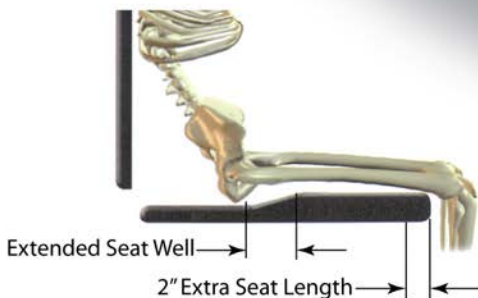
Pos.	Item Number	Description	Remarks
2	F125	JAY ACTIVE FLUID PAD 16x16	
2	F126	JAY ACTIVE FLUID PAD 16x18	
2	F128	JAY ACTIVE FLUID PAD 14x16	
2	F122	JAY ACTIVE FLUID PAD 20x18	
3A	B119JA	1" ADDUCTOR WEDGER (PR)	PAIR *
3B	B113JA	2" ADDUCTOR WEDGES (PR)	PAIR
4	CB120	JAY ACTIVE BASE COVER 18x16	
4	CB121	JAY ACTIVE BASE COVER 18x18	
4	CB125	JAY ACTIVE BASE COVER 16x16	
4	CB126	JAY ACTIVE BASE COVER 16x18	
4	CB128	JAY ACTIVE BASE COVER 14x16	
4	CB122	JAY ACTIVE BASE COVER 20x18	
4	CB123	JAY ACTIVE BASE COVER 18x20	
4	CB127	JAY ACTIVE BASE COVER 16x20	
3A-5	B120	JAY ACTIVE BASE 18x16	
3A-5	B121	JAY ACTIVE BASE 18x18	
3A-5	B125	JAY ACTIVE BASE 16x16	
3A-5	B126	JAY ACTIVE BASE 16x18	
3A-5	B128	JAY ACTIVE BASE 14x16	
3A-5	B122	JAY ACTIVE BASE 20x18	
3A-5	B123	JAY ACTIVE BASE 18x20	
3A-5	B127	JAY ACTIVE BASE 16x20	



Pos.	Item Number	Description	Pos.	Item Number	Description
1	C331	COVER BASIC INC 14X14	1	C349	COVER BASIC INC 24X24
1	C308	COVER BASIC INCONTINENT 14X16	2	B331-MJ	BASE BASIC CUSHION (14X14)
1	C332	COVER BASIC INC 14X18	2	B308-MJ	FOAM BASE BASIC 14X16
1	C356	COVER BASIC INCONTINENT 15X16	2	B332-MJ	BASE BASIC CUSHION 14X18
1	C333	COVER BASIC INC 15X18	2	B356	FOAM BASE BASIC 15X16
1	C305	COVER BASIC INCONTINENT 16X16	2	B333-MJ	BASE BASIC CUSHION (15X18)
1	C334-MJ	COVER BASIC INC 16X17	2	B305	FOAM BASE BASIC 16X16
1	C306-MJ	COVER BASIC INCONTINENT 16X18	2	B334-MJ	BASE BASIC CUSHION (16X17)
1	C376	COVER BASIC INCONTINENT 17X16	2	B306	FOAM BASE BASIC 16X18
1	C335	COVER BASIC INC 17X17	2	B376	FOAM BASE BASIC 17X16
1	C336	COVER BASIC INC 17X18	2	B335-MJ	BASE BASIC CUSHION (17X17)
1	C300-MJ	COVER BASIC INCONTINENT 18X16	2	B336	BASE BASIC CUSHION (17X18)
1	C337	COVER BASIC INC 18X17	2	B300	FOAM BASE BASIC 18X16
1	C301	COVER BASIC INCONTINENT 18X18	2	B337	BASE BASIC CUSHION (18X17)
1	C338	COVER BASIC INC 18X20	2	B301	FOAM BASE BASIC 18X18
1	C339	COVER BASIC INC 19X16	2	B338	BASE BASIC CUSHION (18X20)
1	C341	COVER BASIC INC 19X18	2	B339	BASE BASIC CUSHION (19X16)
1	C343	COVER BASIC INC 19X20	2	B341-MJ	BASE BASIC CUSHION (19X18)
1	C344	COVER BASIC INC 20X16	2	B343-MJ	BASE BASIC CUSHION (19X20)
1	C309	COVER BASIC 20X18 INC	2	B344-MJ	BASE BASIC CUSHION (20X16)
1	C345	COVER BASIC INC 20X20	2	B309	FOAM BASE BASIC 20X18
1	C328	COVER BASIC 22X18 INC	2	B345	BASE BASIC CUSHION 20X20
1	C320	COVER BASIC 22X20 INC	2	B328	FOAM BASE 22X18 BASIC
1	C346	COVER BASIC INC 22X22	2	B320	FOAM BASE 22X20 BASIC
1	C348	COVER BASIC 24X18 INC	2	B346	BASE BASIC CUSHION 22X22
1	C340	COVER BASIC 24X20 INC	2	B348	FOAM BASE 24X18 BASIC
1	C347	COVER BASIC INC 24X22	2	B340	FOAM BASE 24X20 BASIC

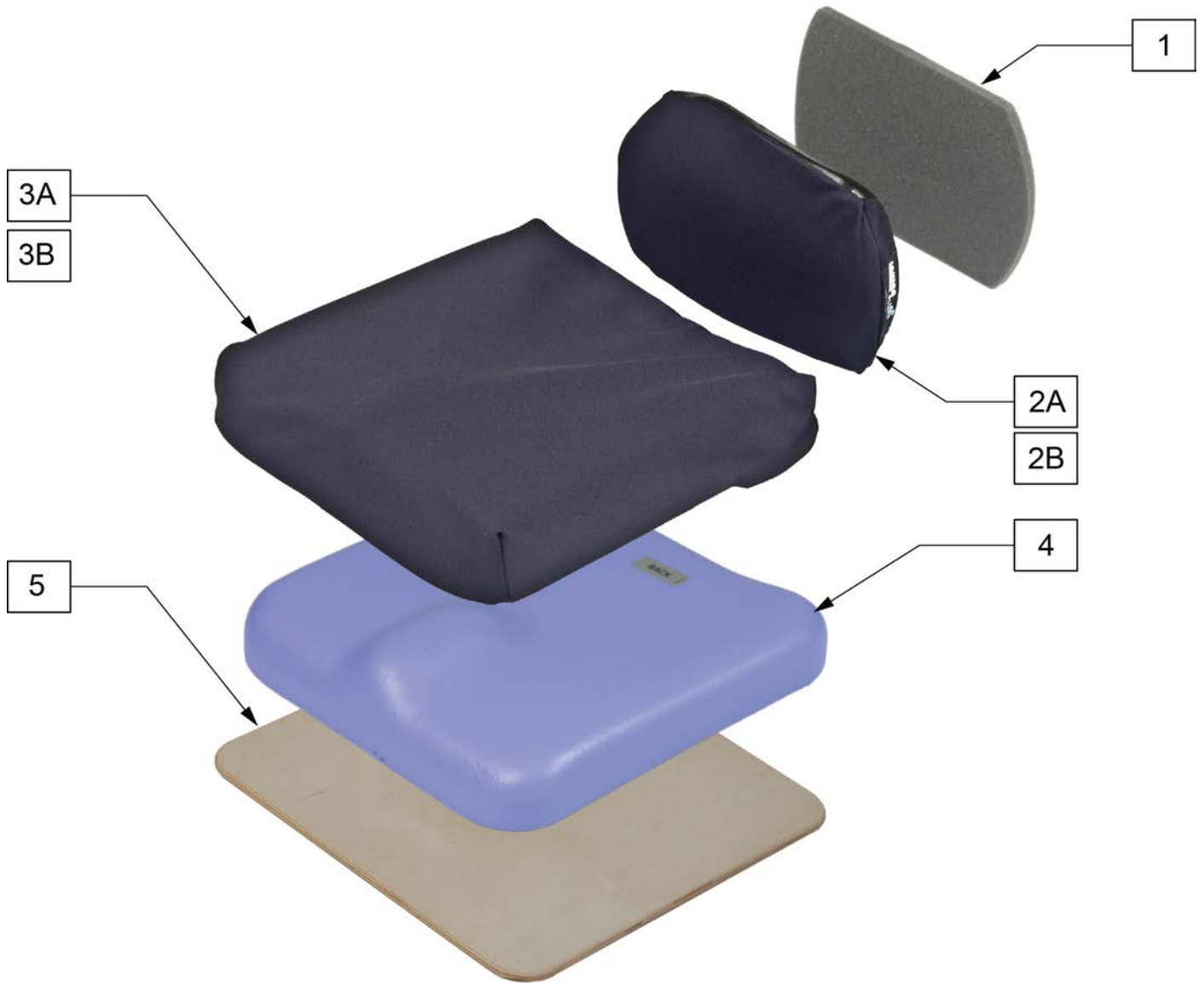
Pos.	Item Number	Description	Pos.	Item Number	Description
2	B347	BASE BASIC CUSHION 24X22	2	B349-MJ	BASE BASIC CUSHION (24X24)

NOTE: Cushion length is longer than normal. To accommodate posterior pelvic tilt, often associated with a fixed kyphotic posture; the measurements listed in the description are estimates. For precise cushion dimensions see the JAY Backs and Cushions Brochure Page 5 (Literature part number 0110.)



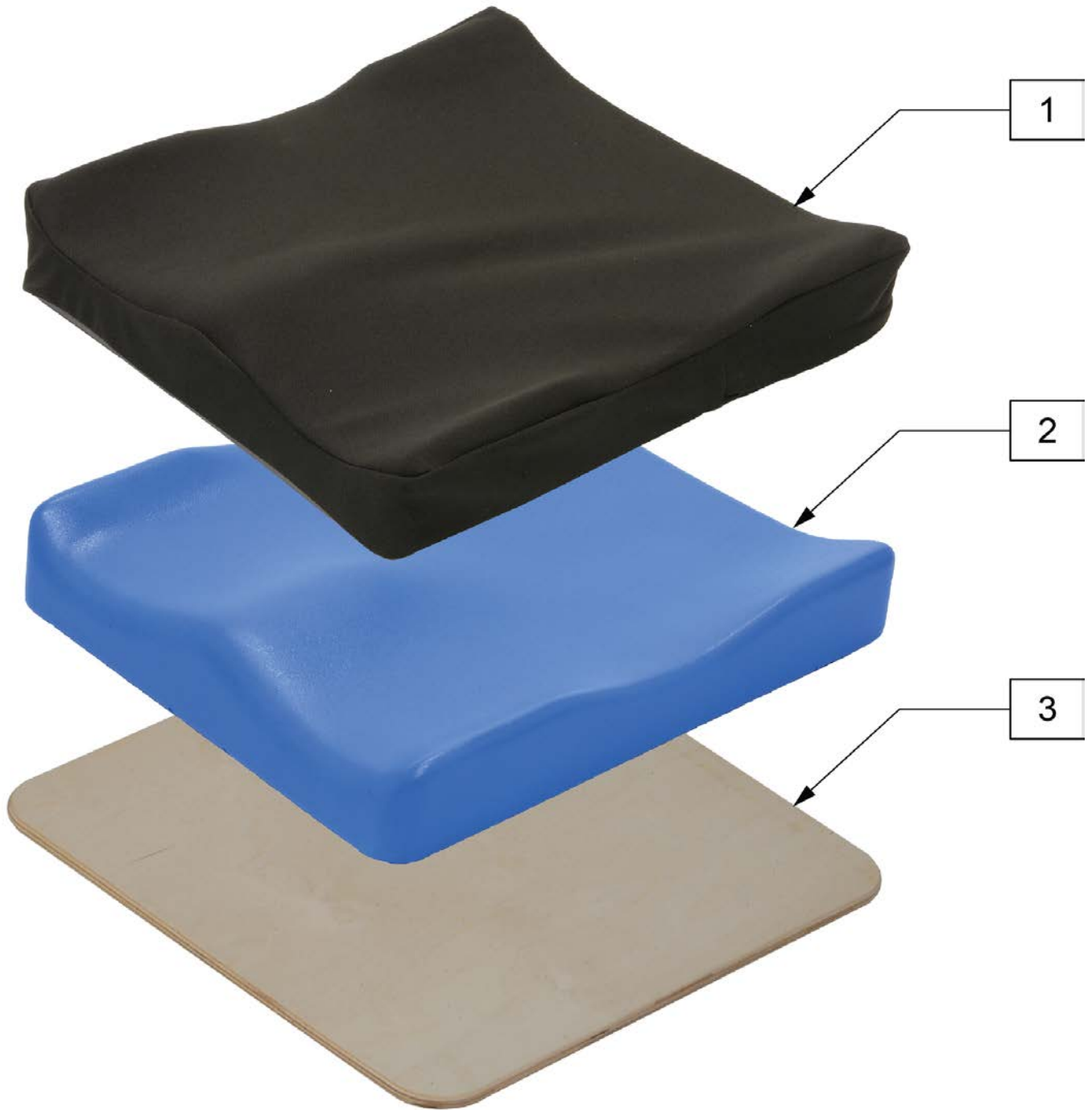
Cushion	Chair Size	Actual Width	Actual Length
3100B	18 X 16	18.5	17.5
3101B	18 X 18	19.25	19.75
3105B	16 X 16	17	17.75
3106B	16 X 18	17.5	19.75
3109B	20 X 18	20.75	17.5

Pos.	Item Number	Description
1	C3100B	COVER JCARE 18X16
1	C3101B	COVER JCARE 18X18
1	C3105B	COVER JCARE 16X16
1	C3106B	COVER JCARE 16X18
1	C3109B	COVER JCARE 20X18



Pos.	Item Number	Description	Remarks
1,2	2250	LUMBAR SUPPORT SOFT COMBI	Ships standard with 1-4
1,2	2251-MJ	LUMBAR SUPPORT SOFT COMBI JUNIOR	
1,2A	250XB	LUMBAR SUPPORT COMBI ADULT	SIZE 15 X 9" Ships standard with 1,2A,3A,4
1,2A	251XB	LUMBAR SUPPORT COMBI JUNIOR	SIZE 12 X 7"
3	C2200-MJ	SOFT COMBI COVER 18x16	
3	C2201	SOFT COMBI COVER 18x18	
3	C2202	SOFT COMBI COVER 20x18	
3	C2203	SOFT COMBI COVER 18x20	
3	C2205	SOFT COMBI COVER 15.5x16	
3	C2206	SOFT COMBI COVER 15.5x18	
3	C2207	SOFT COMBI COVER 16x20	
3	C2210	SOFT COMBI COVER 14x14	
3	C2215	SOFT COMBI COVER 12x12	
3A	C200NB	COMBI COVER 18x16	
3A	C201NB	COMBI COVER 18x18	
3A	C202NB	COMBI COVER 20x18	

Pos.	Item Number	Description	Remarks
3A	C203NB	COMBI COVER 18x20	
3A	C205NB	COMBI COVER 15.5x16	
3A	C206NB	COMBI COVER 15.5x18	
3A	C207NB	COMBI COVER 16x20	
3A	C210NB	COMBI COVER 14x14	
3A	C215NB	COMBI COVER 12x12	
5	S200	COMBI SOLID SEAT 18x16	
5	S201	COMBI SOLID SEAT 18x18	
5	S202	COMBI SOLID SEAT 20x18	
5	S203	COMBI SOLID SEAT 18x20	
5	S205	COMBI SOLID SEAT 15.5x16	
5	S206	COMBI SOLID SEAT 15.5x18	
5	S207	COMBI SOLID SEAT 16x20	
5	S210	COMBI SOLID SEAT 14x14	
5	S215	COMBI SOLID SEAT 12x12	

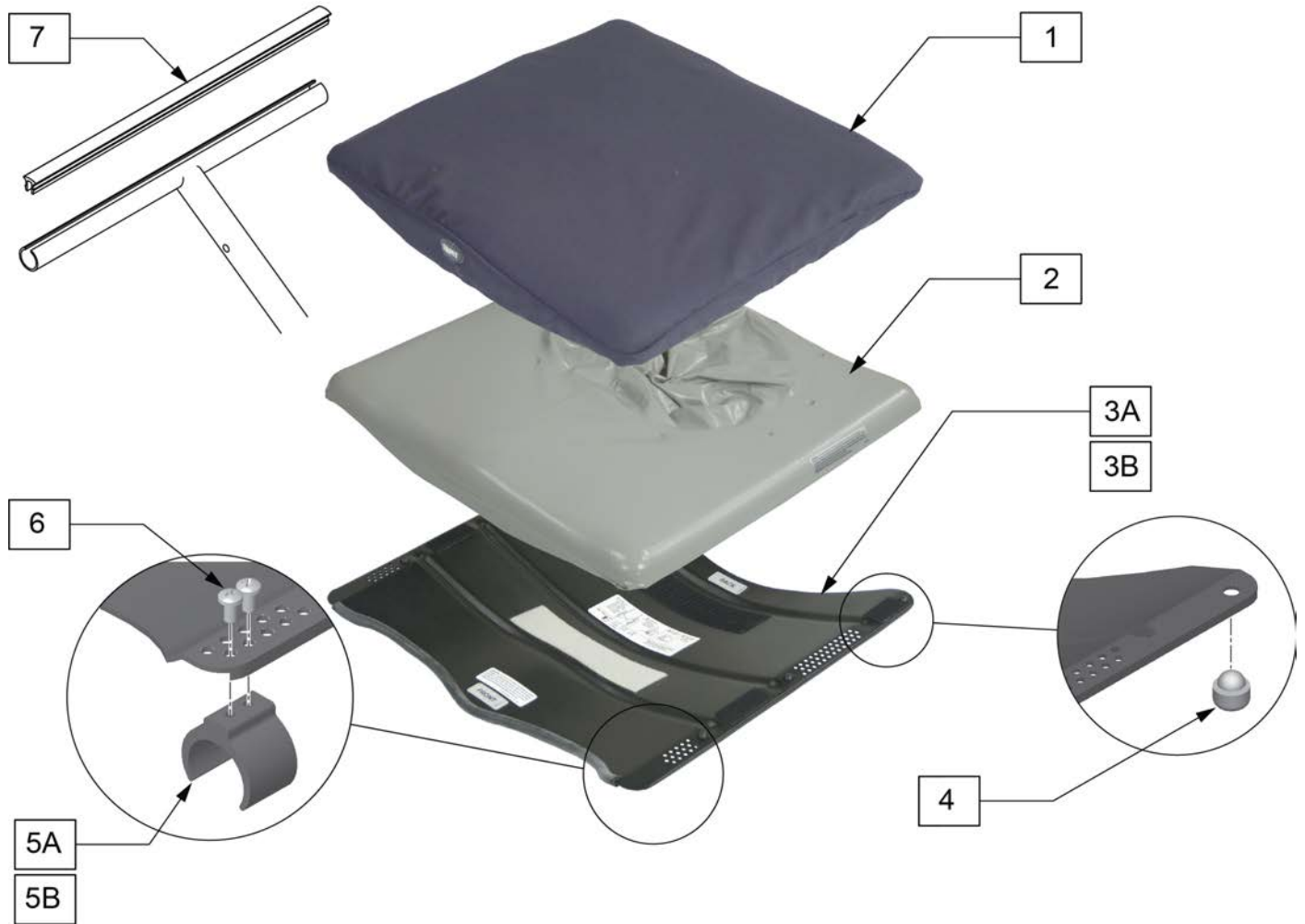


Pos.	Item Number	Description	Remarks
1	C2200P	SOFT COMBI POSITIONING COVER 18x16	
1	C2201P	SOFT COMBI POSITIONING COVER 18x18	
1	C2202P	SOFT COMBI POSITIONING COVER 20x18	
1	C2203P	SOFT COMBI POSITIONING COVER 18x20	
1	C2205P	SOFT COMBI POSITIONING COVER 16x16	
1	C2206P	SOFT COMBI POSITIONING COVER 16x18	actual size 15.5" x18"
1	C2207P	SOFT COMBI POSITIONING COVER 16x20	
1	C2210P	SOFT COMBI POSITIONING COVER 14x14	

Pos.	Item Number	Description	Remarks
1	C2228P	COVER 22X18 SOFT COMBI POS	
1	C2220P	COVER 22X20 SOFT COMBI POS	
1	C2248P	COVER 24X18 SOFT COMBI POS	
1	C2240P	COVER 24X20 SOFT COMBI POS	
3	S200	COMBI SOLID SEAT 18x16	
3	S201	COMBI SOLID SEAT 18x18	
3	S202	COMBI SOLID SEAT 20x18	
3	S203	COMBI SOLID SEAT 18x20	
3	S205	COMBI SOLID SEAT 15.5x16	
3	S206	COMBI SOLID SEAT 15.5x18	
3	S207	COMBI SOLID SEAT 16x20	
3	S210	COMBI SOLID SEAT 14x14	
3	S228	COMBI SOLID SEAT 22X18	
3	S220	COMBI SOLID SEAT 22X20	
3	S248	COMBI SOLID SEAT 24X18	
3	S240	COMBI SOLID SEAT 24X20	

NOTE: * FOR WHEELCHAIRS THAT ARE SLIGHTLY NARROWER THAN LISTED DIMENSION, SUCH AS WITH QUICKIE WHEELCHAIRS. THESE PANS ALSO PROVIDE ADDITIONAL CLEARANCE FOR POP-UP FOOTRESTS.

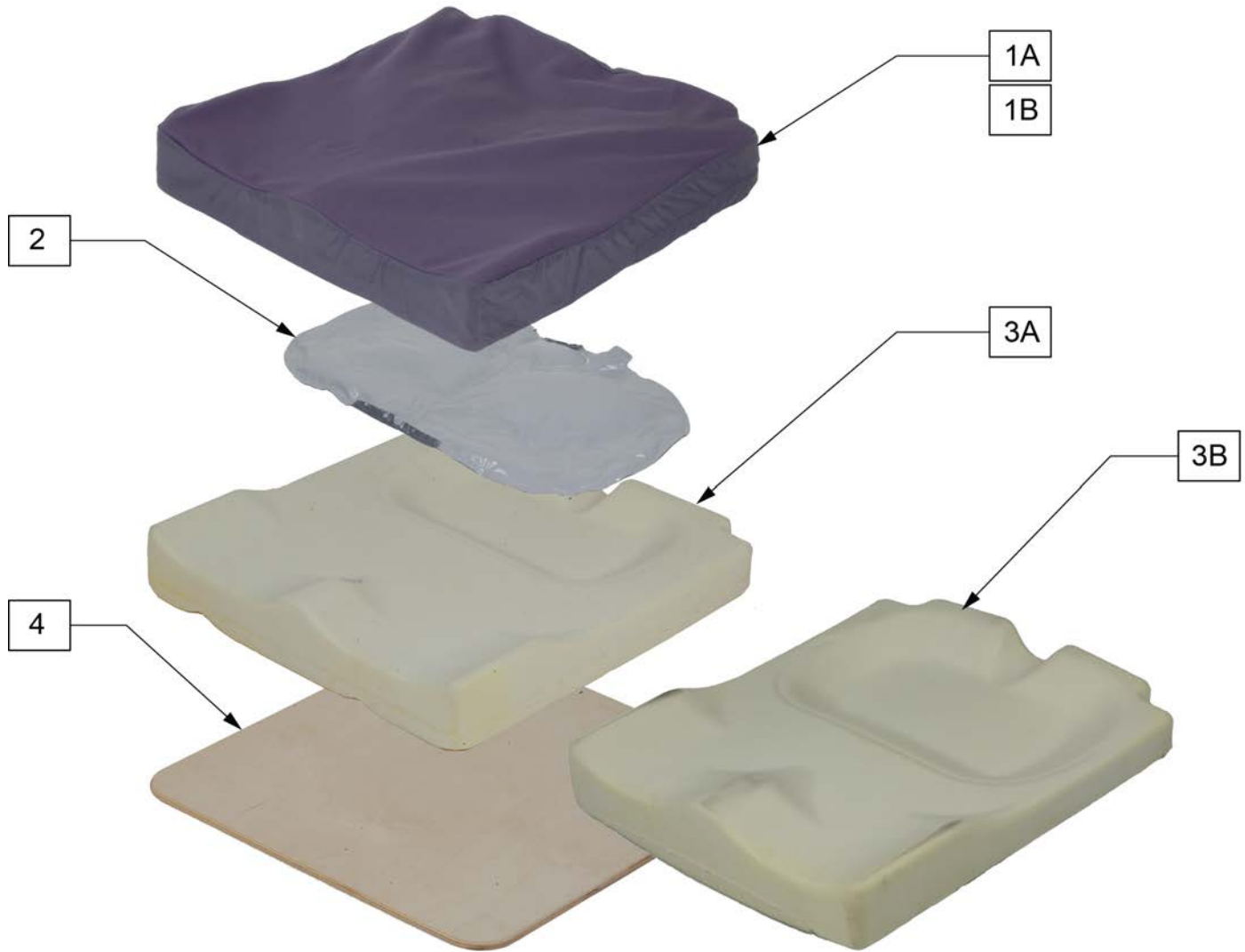
NOTE: ** WHEN ORDERING A DUO FOR A QUICKIE 2 WHEELCHAIR, A SEAT RAIL INSERT STRIP (ITEM 7) MUST BE ORDERED (QUANTITY 2) TO PREVENT THE CLIP FROM CATCHING IN THE UPHOLSTERY SLOT.



Pos.	Item Number	Description	Remarks
1	C700	JAY DUO COVER 18 x 16	
1	C701	JAY DUO COVER 18 x 18	
1	C705	JAY DUO COVER 16 x 16	
1	C706	JAY DUO COVER 16 x 18	
1	C709	JAY DUO COVER 20 x 18	
1	C726	JAY DUO COVER 20 x 16	
1	C776	JAY DUO COVER 17 x 16	
1	C778	JAY DUO COVER 17 x 18	
2	F700	JAY DUO PAD 18 x 16	
2	F701	JAY DUO PAD 18 x 18	
2	F705	JAY DUO PAD 16 x 16	

Pos.	Item Number	Description	Remarks
2	F706	JAY DUO PAD 16 x 18	
2	F709	JAY DUO PAD 20 x 18	
2	F726	JAY DUO PAD 20 x 16	
2	F776	JAY DUO PAD 17 x 16	
2	F778	JAY DUO PAD 17 x 18	
3A,5A, 5B,6	S700	JAY DUO SEAT PAN 18 x 16	
3A,5A, 5B,6	S701	JAY DUO SEAT PAN 18 x 18	
3A,5A, 5B,6	S705	JAY DUO SEAT PAN 16 x 16	
3A,5A, 5B,6	S706	JAY DUO SEAT PAN 16 x 18	
3A,5A, 5B,6	S709	JAY DUO SEAT PAN 20 x 18	
3A,5A, 5B,6	S726	JAY DUO SEAT PAN 20 x 16	
3A,5A, 5B,6	S776	JAY DUO SEAT PAN 17 x 16	
3A,5A, 5B,6	S778	JAY DUO SEAT PAN 17 x 18	
3B,5A, 5B,6	S700Q	JAY DUO SEAT PAN 18 x 16 (FOR 18 x 16)	* SEE NOTE
3B,5A, 5B,6	S701Q	JAY DUO SEAT PAN 17.5 x 18 (FOR 18 x 18)	* SEE NOTE
3B,5A, 5B,6	S705Q	JAY DUO SEAT PAN 15.5 x 16 (FOR 16 x 16)	* SEE NOTE
3B,5A, 5B,6	S706Q	JAY DUO SEAT PAN 15.5 x 18 (FOR 16 x 18)	* SEE NOTE
3B,5A, 5B,6	S709Q	JAY DUO SEAT PAN 19.5 x 18 (FOR 20 x 18)	* SEE NOTE
3B,5A, 5B,6	S726Q	JAY DUO SEAT PAN 20 x 16 (FOR 20 x 16)	* SEE NOTE
3B,5A, 5B,6	S776Q	JAY DUO SEAT PAN 17 x 16 (FOR 17 x 16)	* SEE NOTE
3B,5A, 5B,6	S778Q	JAY DUO SEAT PAN 17 x 18 (FOR 17 x 18)	* SEE NOTE
4	M-726	5/8" RUBBER BUMPER DUO KIT	SHIPS AS A SET OF 4.
5A,6	M-723	1" NYLON RETAINER CLIP DUO	SHIPS AS A SET OF 4.
5B,6	M-724	7/8" NYLON RETAINER CLIP DUO	
7	580026	SEAT RAIL INSERT STRIP 16"	** SEE NOTE
7	580027	SEAT RAIL INSERT STRIP 17"	** SEE NOTE
7	580028	SEAT RAIL INSERT STRIP 18"	** SEE NOTE
7	580029	SEAT RAIL INSERT STRIP 19"	** SEE NOTE
7	580030	SEAT RAIL INSERT STRIP 20"	** SEE NOTE

NOTE: IN GENERAL, THE (F) FLAT BASE IS USED FOR HARD SEATING SURFACES, SUCH AS A SEAT PAN, AND THE CURVED BASE IS USED FOR SOFT SURFACES, SUCH AS A SEAT SLING.



Pos.	Item Number	Description	Pos.	Item Number	Description
>>>>		JAY EASY COVER FLAT	1	CJE2020F	COVER JAY EASY FLAT 20 x 20
1	CJE1416F	COVER JAY EASY FLAT 14 x 16	1	CJE2218F	COVER JAY EASY FLAT 22 x 18
1	CJE1418F	COVER JAY EASY FLAT 14 x 18	1	CJE2220F	COVER JAY EASY FLAT 22 x 20
1	CJE1516F	COVER JAY EASY FLAT 15 x 16	1	CJE2222F	COVER JAY EASY FLAT 22 x 22
1	CJE1517F	COVER JAY EASY FLAT 15 x 17	1	CJE2418F	COVER JAY EASY FLAT 24 x 18
1	CJE1616F	COVER JAY EASY FLAT 16 x 16	1	CJE2420F	COVER JAY EASY FLAT 24 x 20
1	CJE1617F	COVER JAY EASY FLAT 16 x 17	1	CJE2422F	COVER JAY EASY FLAT 24 x 22
1	CJE1618F	COVER JAY EASY FLAT 16 x 18	1	CJE2424F	COVER JAY EASY FLAT 24 x 24
1	CJE1816F	COVER JAY EASY FLAT 18 x 16	>>>>		JAY EASY COVER CURVED
1	CJE1817F	COVER JAY EASY FLAT 18 x 17	1A	CJE1416C	COVER JAY EASY CURVED 14 x 16
1	CJE1818F	COVER JAY EASY FLAT 18 x 18	1A	CJE1418C	COVER JAY EASY CURVED 14 x 18
1	CJE1820F	COVER JAY EASY FLAT 18 x 20	1A	CJE1516C	COVER JAY EASY CURVED 15 x 16
1	CJE2016F	COVER JAY EASY FLAT 20 x 16	1A	CJE1517C	COVER JAY EASY CURVED 15 x 17
1	CJE2018F	COVER JAY EASY FLAT 20 x 18	1A	CJE1616C	COVER JAY EASY CURVED 16 x 16

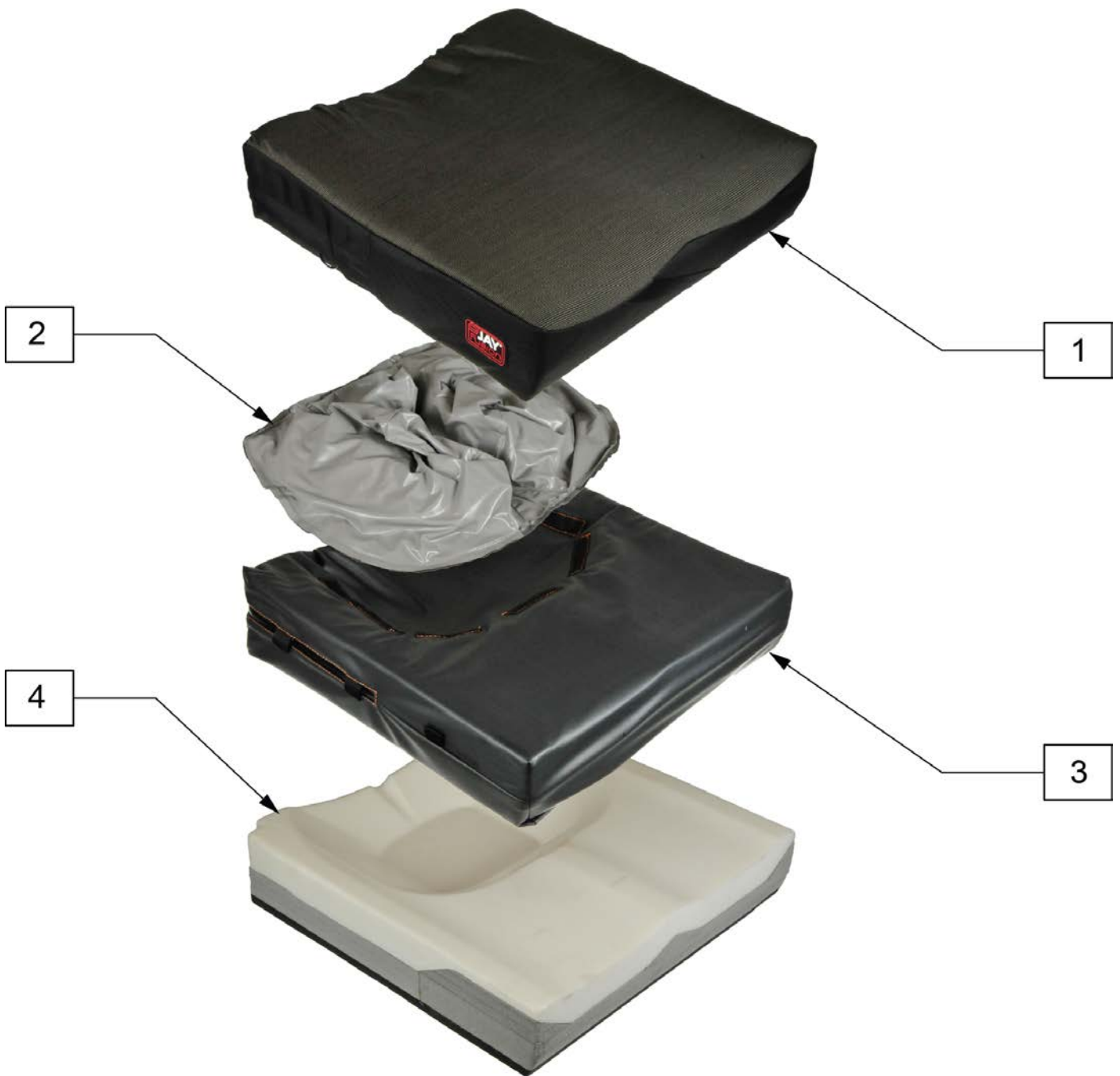
Pos.	Item Number	Description	Pos.	Item Number	Description
1A	CJE1617C	COVER JAY EASY CURVED 16 x 17	3	BJE2422F	BASE JAY EASY FLAT 24 x 22
1A	CJE1618C	COVER JAY EASY CURVED 16 x 18	3	BJE2424F	BASE JAY EASY FLAT 24 x 24
1A	CJE1816C	COVER JAY EASY CURVED 18 x 16	>>>>		JAY EASY BASE CURVED
1A	CJE1817C	COVER JAY EASY CURVED 18 x 17	3A	BJE1416F	BASE JAY EASY CURVED 14 x 16
1A	CJE1818C	COVER JAY EASY CURVED 18 x 18	3A	BJE1418F	BASE JAY EASY CURVED 14 x 18
1A	CJE1820C	COVER JAY EASY CURVED 18 x 20	3A	BJE1516F	BASE JAY EASY CURVED 15 x 16
1A	CJE2016C	COVER JAY EASY CURVED 20 x 16	3A	BJE1517F	BASE JAY EASY CURVED 15 x 17
1A	CJE2018C	COVER JAY EASY CURVED 20 x 18	3A	BJE1616F	BASE JAY EASY CURVED 16 x 16
1A	CJE2020C	COVER JAY EASY CURVED 20 x 20	3A	BJE1617F	BASE JAY EASY CURVED 16 x 17
1A	CJE2218C	COVER JAY EASY CURVED 22 x 18	3A	BJE1618F	BASE JAY EASY CURVED 16 x 18
1A	CJE2220C	COVER JAY EASY CURVED 22 x 20	3A	BJE1816F	BASE JAY EASY CURVED 18 x 16
1A	CJE2222C	COVER JAY EASY CURVED 22 x 22	3A	BJE1817F	BASE JAY EASY CURVED 18 x 17
1A	CJE2418C	COVER JAY EASY CURVED 24 x 18	3A	BJE1818F	BASE JAY EASY CURVED 18 x 18
1A	CJE2420C	COVER JAY EASY CURVED 24 x 20	3A	BJE1820F	BASE JAY EASY CURVED 18 x 20
1A	CJE2422C	COVER JAY EASY CURVED 24 x 22	3A	BJE2016F	BASE JAY EASY CURVED 20 x 16
1A	CJE2424C	COVER JAY EASY CURVED 24 x 24	3A	BJE2018F	BASE JAY EASY CURVED 20 x 18
>>>>		JAY EASY FLUID PAD	3A	BJE2020F	BASE JAY EASY CURVED 20 x 20
2	FJE14-15W	FLUID PAD JAY EASY 14-15	3A	BJE2218C	BASE JAY EASY CURVED 22 x 18
2	FJE16-18W	FLUID PAD JAY EASY 16-18	3A	BJE2220C	BASE JAY EASY CURVED 22 x 20
2	FJE20W	FLUID PAD JAY EASY 20	3A	BJE2222C	BASE JAY EASY CURVED 22 x 22
>>>>		JAY EASY BASE FLAT	3A	BJE2418C	BASE JAY EASY CURVED 24 x 18
3	BJE1416F	BASE JAY EASY FLAT 14 x 16	3A	BJE2420C	BASE JAY EASY CURVED 24 x 20
3	BJE1418F	BASE JAY EASY FLAT 14 x 18	3A	BJE2422C	BASE JAY EASY CURVED 24 x 22
3	BJE1516F	BASE JAY EASY FLAT 15 x 16	3A	BJE2424C	BASE JAY EASY CURVED 24 x 24
3	BJE1517F	BASE JAY EASY FLAT 15 x 17	>>>>		SOLID SEAT - JAY EASY
3	BJE1616F	BASE JAY EASY FLAT 16 x 16	4	SJE1416	SOLID SEAT JAY EASY 14 x 16
3	BJE1617F	BASE JAY EASY FLAT 16 x 17	4	SJE1418	SOLID SEAT JAY EASY 14 x 18
3	BJE1618F	BASE JAY EASY FLAT 16 x 18	4	SJE1516	SOLID SEAT JAY EASY 15 x 16
3	BJE1816F	BASE JAY EASY FLAT 18 x 16	4	SJE1517	SOLID SEAT JAY EASY 15 x 17
3	BJE1817F	BASE JAY EASY FLAT 18 x 17	4	SJE1616	SOLID SEAT JAY EASY 16 x 16
3	BJE1818F	BASE JAY EASY FLAT 18 x 18	4	SJE1617	SOLID SEAT JAY EASY 16 x 17
3	BJE1820F	BASE JAY EASY FLAT 18 x 20	4	SJE1618	SOLID SEAT JAY EASY 16 x 18
3	BJE2016F	BASE JAY EASY FLAT 20 x 16	4	SJE1816	SOLID SEAT JAY EASY 18 x 16
3	BJE2018F	BASE JAY EASY FLAT 20 x 18	4	SJE1817	SOLID SEAT JAY EASY 18 x 17
3	BJE2020F	BASE JAY EASY FLAT 20 x 20	4	SJE1818	SOLID SEAT JAY EASY 18 x 18
3	BJE2218F	BASE JAY EASY FLAT 22 x 18	4	SJE1820	SOLID SEAT JAY EASY 18 x 20
3	BJE2220F	BASE JAY EASY FLAT 22 x 20	4	SJE2016	SOLID SEAT JAY EASY 20 x 16
3	BJE2222F	BASE JAY EASY FLAT 22 x 22	4	SJE2018	SOLID SEAT JAY EASY 20 x 18
3	BJE2418F	BASE JAY EASY FLAT 24 x 18	4	SJE2020	SOLID SEAT JAY EASY 20 x 20
3	BJE2420F	BASE JAY EASY FLAT 24 x 20			

Note: Cushion widths 14" & 15" use A size Air Bladders, 16" - 20" use B size bladders and 21"-24" use C size bladders

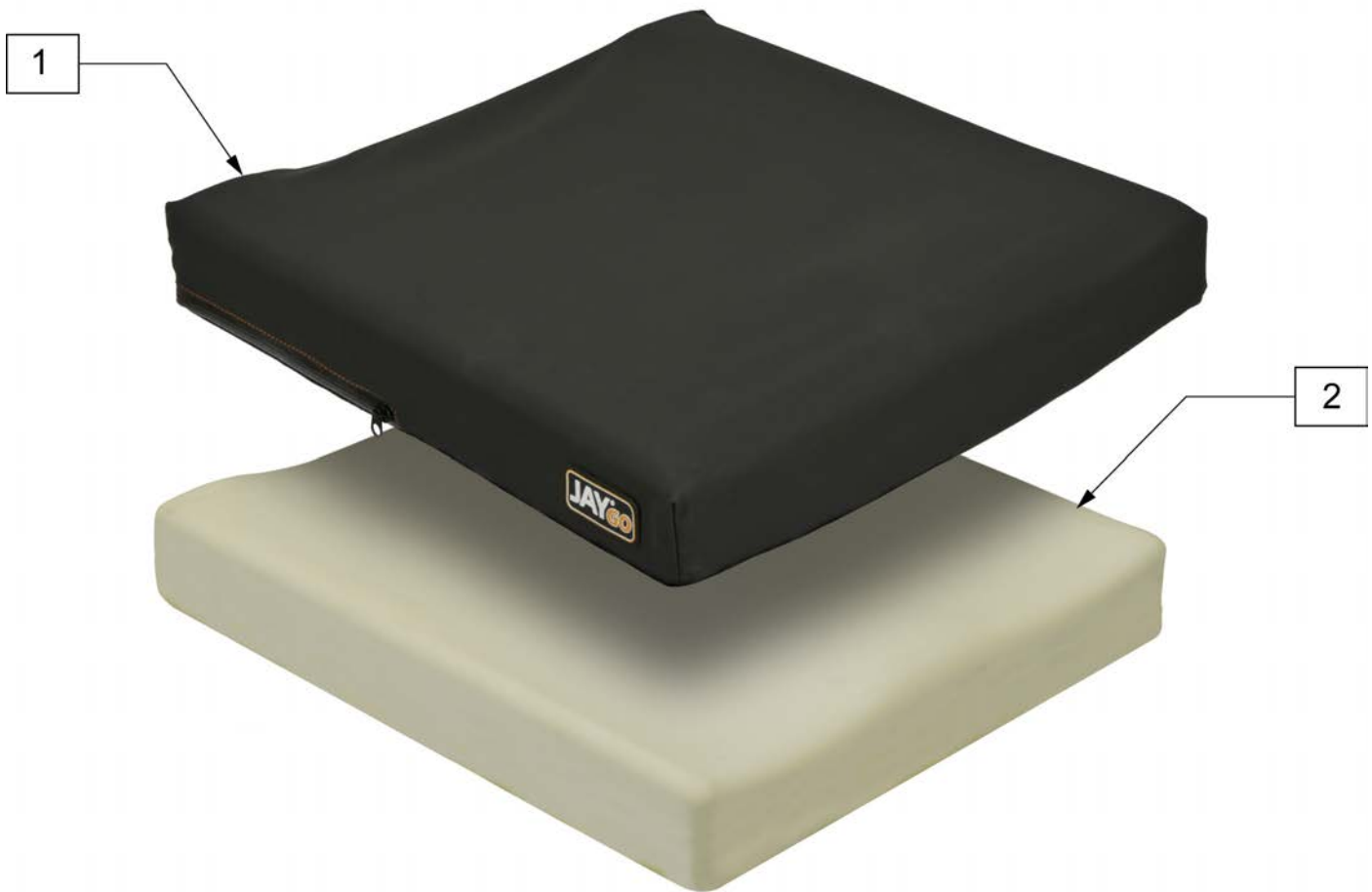


Pos.	Item Number	Description
1	n/a	please open link in information panel

Note: Cushion widths 14" & 15" use A size Fluid Bladders, 16" - 20" use B size bladders and 21"-24" use C size bladders.



Pos.	Item Number	Description
1	n/a	please open link in information panel

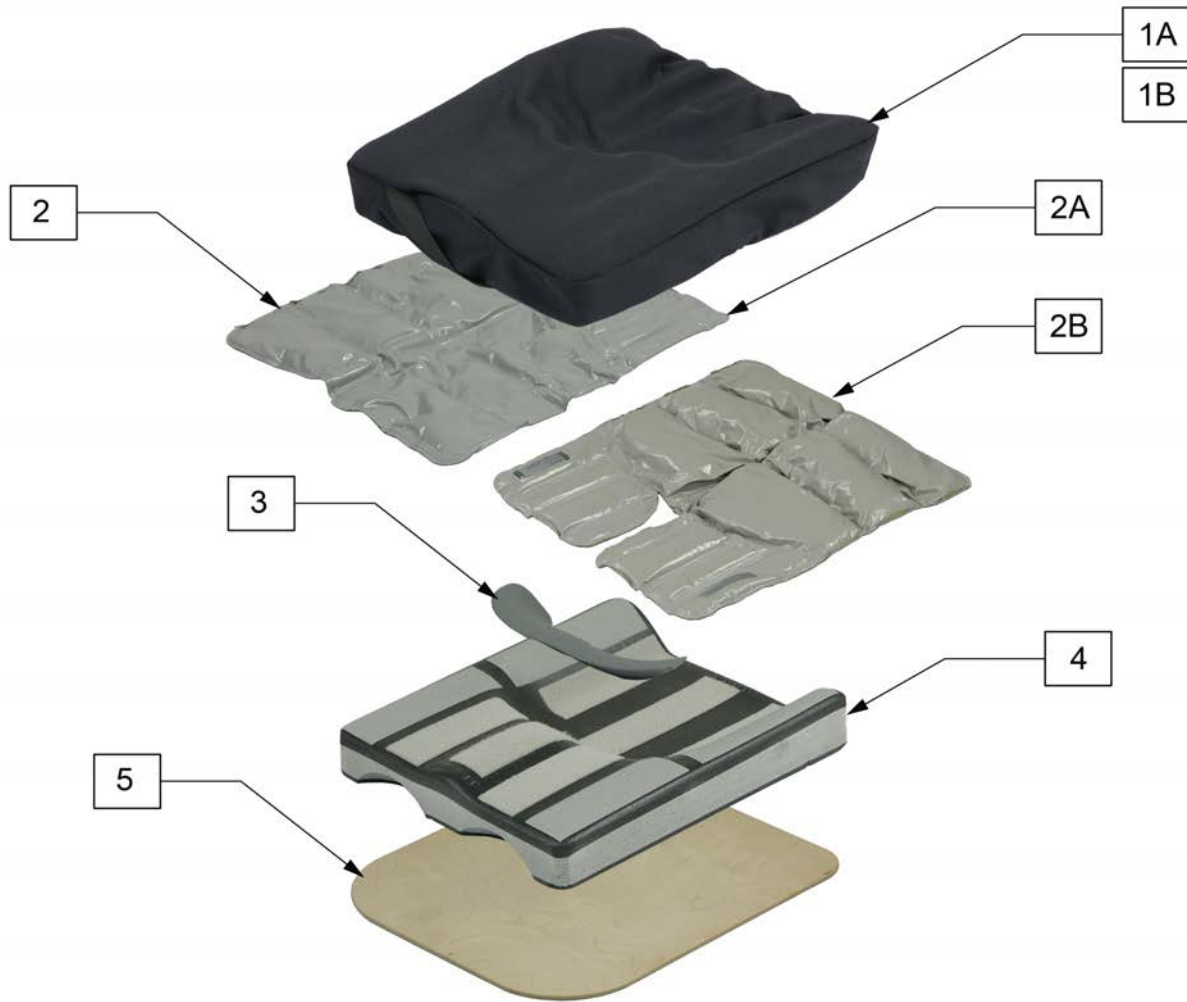


Pos.	Item Number	Description	Pos.	Item Number	Description
1	CJGO1414	COVER JAY GO 14X14	1	CJGO1620	COVER JAY GO 16X20
1	CJGO1415	COVER JAY GO 14X15	1	CJGO1621	COVER JAY GO 16X21
1	CJGO1416	COVER JAY GO 14X16	1	CJGO1622	COVER JAY GO 16X22
1	CJGO1417	COVER JAY GO 14X17	1	CJGO1714	COVER JAY GO 17X14
1	CJGO1418	COVER JAY GO 14X18	1	CJGO1715	COVER JAY GO 17X15
1	CJGO1419	COVER JAY GO 14X19	1	CJGO1716	COVER JAY GO 17X16
1	CJGO1420	COVER JAY GO 14X20	1	CJGO1717	COVER JAY GO 17X17
1	CJGO1514	COVER JAY GO 15X14	1	CJGO1718	COVER JAY GO 17X18
1	CJGO1515	COVER JAY GO 15X15	1	CJGO1719	COVER JAY GO 17X19
1	CJGO1516	COVER JAY GO 15X16	1	CJGO1720	COVER JAY GO 17X20
1	CJGO1517	COVER JAY GO 15X17	1	CJGO1721	COVER JAY GO 17X21
1	CJGO1518	COVER JAY GO 15X18	1	CJGO1722	COVER JAY GO 17X22
1	CJGO1519	COVER JAY GO 15X19	1	CJGO1723	COVER JAY GO 17X23
1	CJGO1520	COVER JAY GO 15X20	1	CJGO1814	COVER JAY GO 18X14
1	CJGO1521	COVER JAY GO 15X21	1	CJGO1815	COVER JAY GO 18X15
1	CJGO1614	COVER JAY GO 16X14	1	CJGO1816	COVER JAY GO 18X16
1	CJGO1615	COVER JAY GO 16X15	1	CJGO1817	COVER JAY GO 18X17
1	CJGO1616	COVER JAY GO 16X16	1	CJGO1818	COVER JAY GO 18X18
1	CJGO1617	COVER JAY GO 16X17	1	CJGO1819	COVER JAY GO 18X19
1	CJGO1618	COVER JAY GO 16X18	1	CJGO1820	COVER JAY GO 18X20
1	CJGO1619	COVER JAY GO 16X19	1	CJGO1821	COVER JAY GO 18X21

Pos.	Item Number	Description	Pos.	Item Number	Description
1	CJGO1822	COVER JAY GO 18X22	2	BJGO1420	BASE FOAM JAY GO 14X20
1	CJGO1823	COVER JAY GO 18X23	2	BJGO1514	BASE FOAM JAY GO 15X14
1	CJGO1824	COVER JAY GO 18X24	2	BJGO1515	BASE FOAM JAY GO 15X15
1	CJGO1915	COVER JAY GO 19X15	2	BJGO1516	BASE FOAM JAY GO 15X16
1	CJGO1916	COVER JAY GO 19X16	2	BJGO1517	BASE FOAM JAY GO 15X17
1	CJGO1917	COVER JAY GO 19X17	2	BJGO1518	BASE FOAM JAY GO 15X18
1	CJGO1918	COVER JAY GO 19X18	2	BJGO1519	BASE FOAM JAY GO 15X19
1	CJGO1919	COVER JAY GO 19X19	2	BJGO1520	BASE FOAM JAY GO 15X20
1	CJGO1920	COVER JAY GO 19X20	2	BJGO1521	BASE FOAM JAY GO 15X21
1	CJGO1921	COVER JAY GO 19X21	2	BJGO1614	BASE FOAM JAY GO 16X14
1	CJGO1922	COVER JAY GO 19X22	2	BJGO1615	BASE FOAM JAY GO 16X15
1	CJGO1923	COVER JAY GO 19X23	2	BJGO1616	BASE FOAM JAY GO 16X16
1	CJGO1924	COVER JAY GO 19X24	2	BJGO1617	BASE FOAM JAY GO 16X17
1	CJGO2015	COVER JAY GO 20X15	2	BJGO1618	BASE FOAM JAY GO 16X18
1	CJGO2016	COVER JAY GO 20X16	2	BJGO1619	BASE FOAM JAY GO 16X19
1	CJGO2017	COVER JAY GO 20X17	2	BJGO1620	BASE FOAM JAY GO 16X20
1	CJGO2018	COVER JAY GO 20X18	2	BJGO1621	BASE FOAM JAY GO 16X21
1	CJGO2019	COVER JAY GO 20X19	2	BJGO1622	BASE FOAM JAY GO 16X22
1	CJGO2020	COVER JAY GO 20X20	2	BJGO1714	BASE FOAM JAY GO 17X14
1	CJGO2021	COVER JAY GO 20X21	2	BJGO1715	BASE FOAM JAY GO 17X15
1	CJGO2022	COVER JAY GO 20X22	2	BJGO1716	BASE FOAM JAY GO 17X16
1	CJGO2023	COVER JAY GO 20X23	2	BJGO1717	BASE FOAM JAY GO 17X17
1	CJGO2024	COVER JAY GO 20X24	2	BJGO1718	BASE FOAM JAY GO 17X18
1	CJGO2117	COVER JAY GO 21X17	2	BJGO1719	BASE FOAM JAY GO 17X19
1	CJGO2118	COVER JAY GO 21X18	2	BJGO1720	BASE FOAM JAY GO 17X20
1	CJGO2119	COVER JAY GO 21X19	2	BJGO1721	BASE FOAM JAY GO 17X21
1	CJGO2120	COVER JAY GO 21X20	2	BJGO1722	BASE FOAM JAY GO 17X22
1	CJGO2121	COVER JAY GO 21X21	2	BJGO1723	BASE FOAM JAY GO 17X23
1	CJGO2122	COVER JAY GO 21X22	2	BJGO1814	BASE FOAM JAY GO 18X14
1	CJGO2123	COVER JAY GO 21X23	2	BJGO1815	BASE FOAM JAY GO 18X15
1	CJGO2124	COVER JAY GO 21X24	2	BJGO1816	BASE FOAM JAY GO 18X16
1	CJGO2217	COVER JAY GO 22X17	2	BJGO1817	BASE FOAM JAY GO 18X17
1	CJGO2218	COVER JAY GO 22X18	2	BJGO1818	BASE FOAM JAY GO 18X18
1	CJGO2219	COVER JAY GO 22X19	2	BJGO1819	BASE FOAM JAY GO 18X19
1	CJGO2220	COVER JAY GO 22X20	2	BJGO1820	BASE FOAM JAY GO 18X20
1	CJGO2221	COVER JAY GO 22X21	2	BJGO1821	BASE FOAM JAY GO 18X21
1	CJGO2222	COVER JAY GO 22X22	2	BJGO1822	BASE FOAM JAY GO 18X22
1	CJGO2223	COVER JAY GO 22X23	2	BJGO1823	BASE FOAM JAY GO 18X23
1	CJGO2224	COVER JAY GO 22X24	2	BJGO1824	BASE FOAM JAY GO 18X24
1	CJGO2319	COVER JAY GO 23X19	2	BJGO1915	BASE FOAM JAY GO 19X15
1	CJGO2320	COVER JAY GO 23X20	2	BJGO1916	BASE FOAM JAY GO 19X16
1	CJGO2321	COVER JAY GO 23X21	2	BJGO1917	BASE FOAM JAY GO 19X17
1	CJGO2322	COVER JAY GO 23X22	2	BJGO1918	BASE FOAM JAY GO 19X18
1	CJGO2323	COVER JAY GO 23X23	2	BJGO1919	BASE FOAM JAY GO 19X19
1	CJGO2324	COVER JAY GO 23X24	2	BJGO1920	BASE FOAM JAY GO 19X20
1	CJGO2419	COVER JAY GO 24X19	2	BJGO1921	BASE FOAM JAY GO 19X21
1	CJGO2420	COVER JAY GO 24X20	2	BJGO1922	BASE FOAM JAY GO 19X22
1	CJGO2421	COVER JAY GO 24X21	2	BJGO1923	BASE FOAM JAY GO 19X23
1	CJGO2422	COVER JAY GO 24X22	2	BJGO1924	BASE FOAM JAY GO 19X24
1	CJGO2423	COVER JAY GO 24X23	2	BJGO2015	BASE FOAM JAY GO 20X15
1	CJGO2424	COVER JAY GO 24X24	2	BJGO2016	BASE FOAM JAY GO 20X16
2	BJGO1414	BASE FOAM JAY GO 14X14	2	BJGO2017	BASE FOAM JAY GO 20X17
2	BJGO1415	BASE FOAM JAY GO 14X15	2	BJGO2018	BASE FOAM JAY GO 20X18
2	BJGO1416	BASE FOAM JAY GO 14X16	2	BJGO2019	BASE FOAM JAY GO 20X19
2	BJGO1417	BASE FOAM JAY GO 14X17	2	BJGO2020	BASE FOAM JAY GO 20X20
2	BJGO1418	BASE FOAM JAY GO 14X18	2	BJGO2021	BASE FOAM JAY GO 20X21
2	BJGO1419	BASE FOAM JAY GO 14X19	2	BJGO2022	BASE FOAM JAY GO 20X22

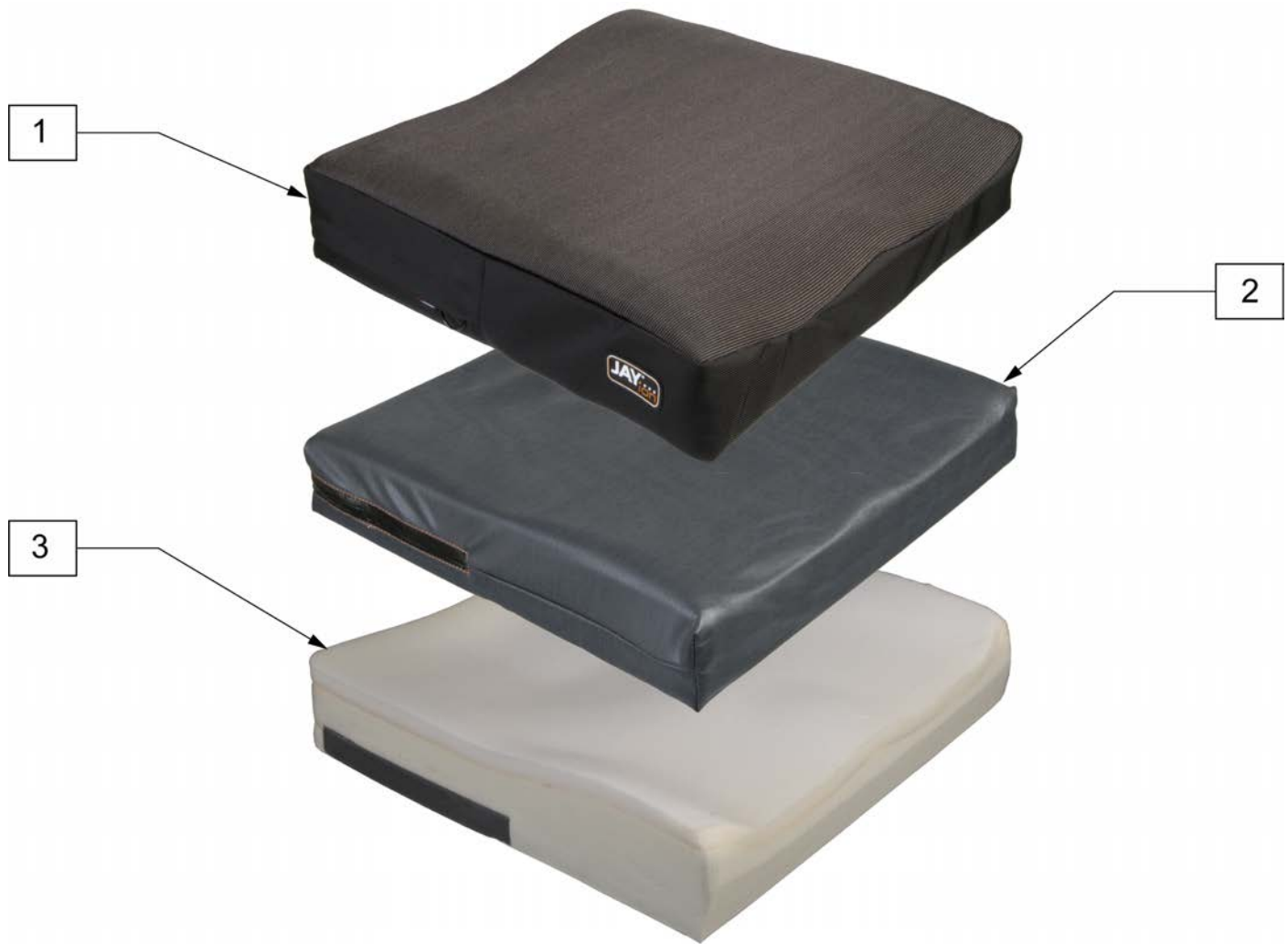
Pos.	Item Number	Description	Pos.	Item Number	Description
2	BJGO2023	BASE FOAM JAY GO 20X23	2	BJGO2222	BASE FOAM JAY GO 22X22
2	BJGO2024	BASE FOAM JAY GO 20X24	2	BJGO2223	BASE FOAM JAY GO 22X23
2	BJGO2117	BASE FOAM JAY GO 21X17	2	BJGO2224	BASE FOAM JAY GO 22X24
2	BJGO2118	BASE FOAM JAY GO 21X18	2	BJGO2319	BASE FOAM JAY GO 23X19
2	BJGO2119	BASE FOAM JAY GO 21X19	2	BJGO2320	BASE FOAM JAY GO 23X20
2	BJGO2120	BASE FOAM JAY GO 21X20	2	BJGO2321	BASE FOAM JAY GO 23X21
2	BJGO2121	BASE FOAM JAY GO 21X21	2	BJGO2322	BASE FOAM JAY GO 23X22
2	BJGO2122	BASE FOAM JAY GO 21X22	2	BJGO2323	BASE FOAM JAY GO 23X23
2	BJGO2123	BASE FOAM JAY GO 21X23	2	BJGO2324	BASE FOAM JAY GO 23X24
2	BJGO2124	BASE FOAM JAY GO 21X24	2	BJGO2419	BASE FOAM JAY GO 24X19
2	BJGO2217	BASE FOAM JAY GO 22X17	2	BJGO2420	BASE FOAM JAY GO 24X20
2	BJGO2218	BASE FOAM JAY GO 22X18	2	BJGO2421	BASE FOAM JAY GO 24X21
2	BJGO2219	BASE FOAM JAY GO 22X19	2	BJGO2422	BASE FOAM JAY GO 24X22
2	BJGO2220	BASE FOAM JAY GO 22X20	2	BJGO2423	BASE FOAM JAY GO 24X23
2	BJGO2221	BASE FOAM JAY GO 22X21	2	BJGO2424	BASE FOAM JAY GO 24X24

NOTE: * THE UPSIZED COVER IS COMMONLY USED TO COVER 2" AND 3" HIGH JAY AND JAY GS ACCESSORIES.



Pos.	Item Number	Description	Remarks
1A	C1100A	JAY GS CUSHION AIR EXCHANGE 18 X 20	
1A	C1105A	JAY GS CUSHION AIR EXCHANGE 16 X 19	
1A	C1110A	JAY GS CUSHION AIR EXCHANGE 14 X 17	
1A	C1111A	JAY GS CUSHION AIR EXCHANGE 10 X 13	
1A	C1115A	JAY GS CUSHION AIR EXCHANGE 12 X 15	
1B	C1100N	COVER JAY GS INCONTINENT 18 X 20	
1B	C1105N	COVER JAY GS INCONTINENT 16 X 19	
1B	C1110N	COVER JAY GS INCONTINENT 14 X 17	
1B	C1111N	COVER JAY GS INCONTINENT 10 X 13	
1B	C1115N	COVER JAY GS INCONTINENT 12 X 15	
1C	C1100N-2	COVER JAY GS INCONTINENT UPSIZED 18"	*
1C	C1105N-2	COVER JAY GS INCONTINENT UPSIZED 16"	*
1C	C1110N-2	COVER JAY GS INCONTINENT UPSIZED 14"	*
1C	C1111N-2	COVER JAY GS INCONTINENT UPSIZED 10"	*
1C	C1115N-2	COVER JAY GS INCONTINENT UPSIZED 12"	*
2A	F1100	FLUID PAD JAY GS JUNIOR 18 X 20	

Pos.	Item Number	Description	Remarks
2A	F1105	FLUID PAD JAY GS JUNIOR 16 X 19	
2A	F1110	FLUID PAD JAY GS JUNIOR 14 X 17	
2A	F1111	FLUID PAD JAY GS JUNIOR 10 X 13	
2A	F1115	FLUID PAD JAY GS JUNIOR 12 X 15	
2B	F1100.1	PRESSURE RELIEVING PAD 18 X 20	
2B	F1105.1	PRESSURE RELIEVING PAD 16 X 19	
2B	F1110.1	PRESSURE RELIEVING PAD 14 X 17	
2B	F1111.1	PRESSURE RELIEVING PAD 10 X 13	
2B	F1115.1	PRESSURE RELIEVING PAD 12 X 15	
3	B1171	PRE ISCHIAL SHELF EXTENSION GS (10" x 13")	
3	B1173	PRE ISCHIAL SHELF EXTENSION GS (12" x 15")	
3	B1174	PRE ISCHIAL SHELF EXTENSION GS (14" x 17")	
3	B1175	PRE ISCHIAL SHELF EXTENSION GS (16" x 19")	
3	B1176	PRE ISCHIAL SHELF EXTENSION GS (18" x 20")	
4	B1100	JAY GS BASE 18"	
4	B1105	JAY GS BASE 16"	
4	B1110	JAY GS BASE JUNIOR 14"	
4	B1111	JAY GS BASE SMALL CHILD 10"	
4	B1115	JAY GS BASE CHILD 12"	
5	S101	SOLID SEAT JAY 18 x 18	
5	S106	SOLID SEAT JAY 15.5 x 18	
5	S108	SOLID SEAT JAY 14 x 16	
5	S111	SOLID SEAT JAY 10 x 10	
5	S115	SOLID SEAT JAY 12 x 11	



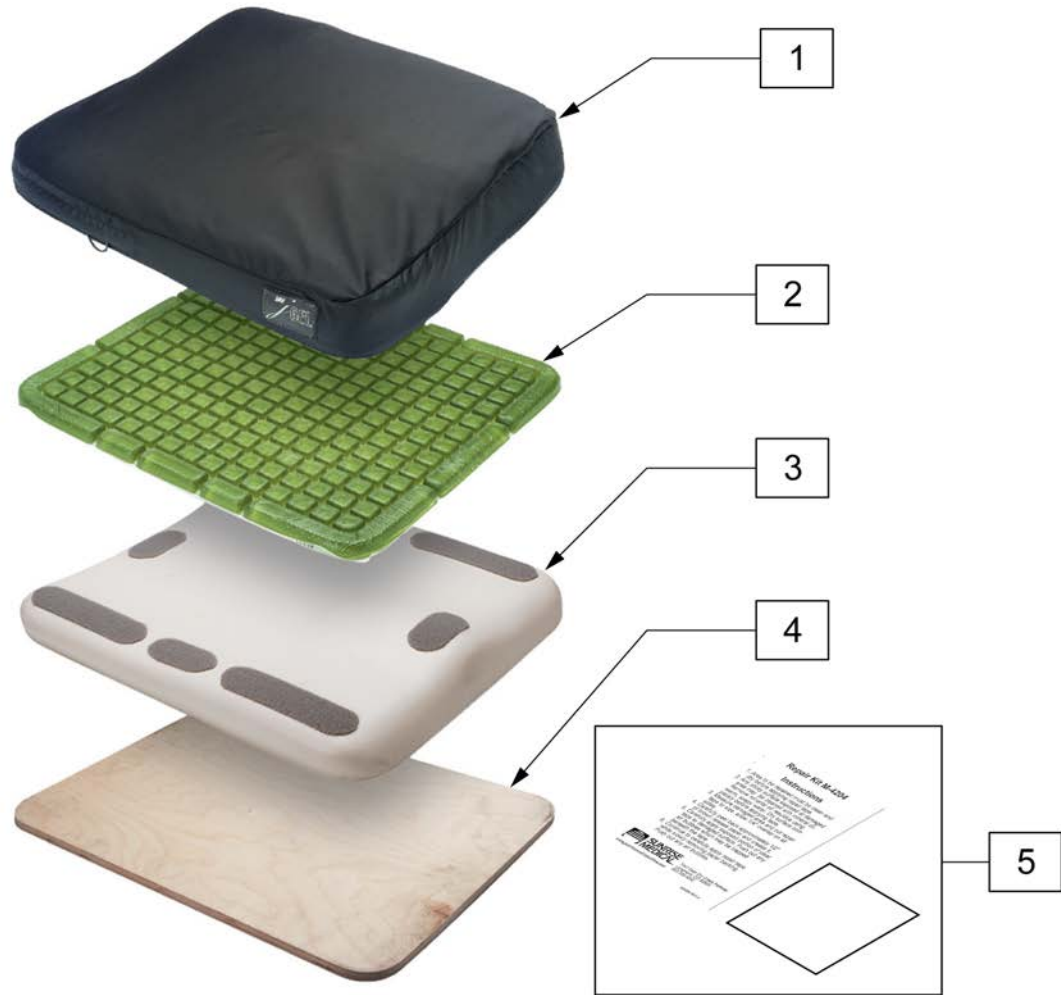
Pos.	Item Number	Description	Pos.	Item Number	Description
1	CJI1414	COVER OUTER ION 14X14	1	CJI1620	COVER OUTER ION 16X20
1	CJI1415	COVER OUTER ION 14X15	1	CJI1621	COVER OUTER ION 16X21
1	CJI1416	COVER OUTER ION 14X16	1	CJI1622	COVER OUTER ION 16X22
1	CJI1417	COVER OUTER ION 14X17	1	CJI1714	COVER OUTER ION 17X14
1	CJI1418	COVER OUTER ION 14X18	1	CJI1715	COVER OUTER ION 17X15
1	CJI1514	COVER OUTER ION 15X14	1	CJI1716	COVER OUTER ION 17X16
1	CJI1515	COVER OUTER ION 15X15	1	CJI1717	COVER OUTER ION 17X17
1	CJI1516	COVER OUTER ION 15X16	1	CJI1718	COVER OUTER ION 17X18
1	CJI1517	COVER OUTER ION 15X17	1	CJI1719	COVER OUTER ION 17X19
1	CJI1518	COVER OUTER ION 15X18	1	CJI1720	COVER OUTER ION 17X20
1	CJI1519	COVER OUTER ION 15X19	1	CJI1721	COVER OUTER ION 17X21
1	CJI1520	COVER OUTER ION 15X20	1	CJI1722	COVER OUTER ION 17X22
1	CJI1521	COVER OUTER ION 15X21	1	CJI1723	COVER OUTER ION 17X23
1	CJI1614	COVER OUTER ION 16X14	1	CJI1814	COVER OUTER ION 18X14
1	CJI1615	COVER OUTER ION 16X15	1	CJI1815	COVER OUTER ION 18X15
1	CJI1616	COVER OUTER ION 16X16	1	CJI1816	COVER OUTER ION 18X16
1	CJI1617	COVER OUTER ION 16X17	1	CJI1817	COVER OUTER ION 18X17
1	CJI1618	COVER OUTER ION 16X18	1	CJI1818	COVER OUTER ION 18X18
1	CJI1619	COVER OUTER ION 16X19	1	CJI1819	COVER OUTER ION 18X19

Pos.	Item Number	Description	Pos.	Item Number	Description
1	CJI1820	COVER OUTER ION 18X20	2	ICJI1418	COVER INNER ION 14X18
1	CJI1821	COVER OUTER ION 18X21	2	ICJI1514	COVER INNER ION 15X14
1	CJI1822	COVER OUTER ION 18X22	2	ICJI1515	COVER INNER ION 15X15
1	CJI1823	COVER OUTER ION 18X23	2	ICJI1516	COVER INNER ION 15X16
1	CJI1824	COVER OUTER ION 18X24	2	ICJI1517	COVER INNER ION 15X17
1	CJI1915	COVER OUTER ION 19X15	2	ICJI1518	COVER INNER ION 15X18
1	CJI1916	COVER OUTER ION 19X16	2	ICJI1519	COVER INNER ION 15X19
1	CJI1917	COVER OUTER ION 19X17	2	ICJI1520	COVER INNER ION 15X20
1	CJI1918	COVER OUTER ION 19X18	2	ICJI1521	COVER INNER ION 15X21
1	CJI1919	COVER OUTER ION 19X19	2	ICJI1614	COVER INNER ION 16X14
1	CJI1920	COVER OUTER ION 19X20	2	ICJI1615	COVER INNER ION 16X15
1	CJI1921	COVER OUTER ION 19X21	2	ICJI1616	COVER INNER ION 16X16
1	CJI1922	COVER OUTER ION 19X22	2	ICJI1617	COVER INNER ION 16X17
1	CJI1923	COVER OUTER ION 19X23	2	ICJI1618	COVER INNER ION 16X18
1	CJI1924	COVER OUTER ION 19X24	2	ICJI1619	COVER INNER ION 16X19
1	CJI2015	COVER OUTER ION 20X15	2	ICJI1620	COVER INNER ION 16X20
1	CJI2016	COVER OUTER ION 20X16	2	ICJI1621	COVER INNER ION 16X21
1	CJI2017	COVER OUTER ION 20X17	2	ICJI1622	COVER INNER ION 16X22
1	CJI2018	COVER OUTER ION 20X18	2	ICJI1714	COVER INNER ION 17X14
1	CJI2019	COVER OUTER ION 20X19	2	ICJI1715	COVER INNER ION 17X15
1	CJI2020	COVER OUTER ION 20X20	2	ICJI1716	COVER INNER ION 17X16
1	CJI2021	COVER OUTER ION 20X21	2	ICJI1717	COVER INNER ION 17X17
1	CJI2022	COVER OUTER ION 20X22	2	ICJI1718	COVER INNER ION 17X18
1	CJI2023	COVER OUTER ION 20X23	2	ICJI1719	COVER INNER ION 17X19
1	CJI2024	COVER OUTER ION 20X24	2	ICJI1720	COVER INNER ION 17X20
1	CJI2117	COVER OUTER ION 21X17	2	ICJI1721	COVER INNER ION 17X21
1	CJI2118	COVER OUTER ION 21X18	2	ICJI1722	COVER INNER ION 17X22
1	CJI2119	COVER OUTER ION 21X19	2	ICJI1723	COVER INNER ION 17X23
1	CJI2120	COVER OUTER ION 21X20	2	ICJI1814	COVER INNER ION 18X14
1	CJI2121	COVER OUTER ION 21X21	2	ICJI1815	COVER INNER ION 18X15
1	CJI2122	COVER OUTER ION 21X22	2	ICJI1816	COVER INNER ION 18X16
1	CJI2123	COVER OUTER ION 21X23	2	ICJI1817	COVER INNER ION 18X17
1	CJI2124	COVER OUTER ION 21X24	2	ICJI1818	COVER INNER ION 18X18
1	CJI2217	COVER OUTER ION 22X17	2	ICJI1819	COVER INNER ION 18X19
1	CJI2218	COVER OUTER ION 22X18	2	ICJI1820	COVER INNER ION 18X20
1	CJI2219	COVER OUTER ION 22X19	2	ICJI1821	COVER INNER ION 18X21
1	CJI2220	COVER OUTER ION 22X20	2	ICJI1822	COVER INNER ION 18X22
1	CJI2221	COVER OUTER ION 22X21	2	ICJI1823	COVER INNER ION 18X23
1	CJI2222	COVER OUTER ION 22X22	2	ICJI1824	COVER INNER ION 18X24
1	CJI2223	COVER OUTER ION 22X23	2	ICJI1915	COVER INNER ION 19X15
1	CJI2224	COVER OUTER ION 22X24	2	ICJI1916	COVER INNER ION 19X16
1	CJI2319	COVER OUTER ION 23X19	2	ICJI1917	COVER INNER ION 19X17
1	CJI2320	COVER OUTER ION 23X20	2	ICJI1918	COVER INNER ION 19X18
1	CJI2321	COVER OUTER ION 23X21	2	ICJI1919	COVER INNER ION 19X19
1	CJI2322	COVER OUTER ION 23X22	2	ICJI1920	COVER INNER ION 19X20
1	CJI2323	COVER OUTER ION 23X23	2	ICJI1921	COVER INNER ION 19X21
1	CJI2324	COVER OUTER ION 23X24	2	ICJI1922	COVER INNER ION 19X22
1	CJI2419	COVER OUTER ION 24X19	2	ICJI1923	COVER INNER ION 19X23
1	CJI2420	COVER OUTER ION 24X20	2	ICJI1924	COVER INNER ION 19X24
1	CJI2421	COVER OUTER ION 24X21	2	ICJI2015	COVER INNER ION 20X15
1	CJI2422	COVER OUTER ION 24X22	2	ICJI2016	COVER INNER ION 20X16
1	CJI2423	COVER OUTER ION 24X23	2	ICJI2017	COVER INNER ION 20X17
1	CJI2424	COVER OUTER ION 24X24	2	ICJI2018	COVER INNER ION 20X18
2	ICJI1414	COVER INNER ION 14X14	2	ICJI2019	COVER INNER ION 20X19
2	ICJI1415	COVER INNER ION 14X15	2	ICJI2020	COVER INNER ION 20X20
2	ICJI1416	COVER INNER ION 14X16	2	ICJI2021	COVER INNER ION 20X21
2	ICJI1417	COVER INNER ION 14X17	2	ICJI2022	COVER INNER ION 20X22

Pos.	Item Number	Description	Pos.	Item Number	Description
2	ICJI2023	COVER INNER ION 20X23	3	BJI1719	BASE FOAM JAY ION 17X19
2	ICJI2024	COVER INNER ION 20X24	3	BJI1720	BASE FOAM JAY ION 17X20
2	ICJI2117	COVER INNER ION 21X17	3	BJI1721	BASE FOAM JAY ION 17X21
2	ICJI2118	COVER INNER ION 21X18	3	BJI1722	BASE FOAM JAY ION 17X22
2	ICJI2119	COVER INNER ION 21X19	3	BJI1723	BASE FOAM JAY ION 17X23
2	ICJI2120	COVER INNER ION 21X20	3	BJI1814	BASE FOAM JAY ION 18X14
2	ICJI2121	COVER INNER ION 21X21	3	BJI1815	BASE FOAM JAY ION 18X15
2	ICJI2122	COVER INNER ION 21X22	3	BJI1816	BASE FOAM JAY ION 18X16
2	ICJI2123	COVER INNER ION 21X23	3	BJI1817	BASE FOAM JAY ION 18X17
2	ICJI2124	COVER INNER ION 21X24	3	BJI1818	BASE FOAM JAY ION 18X18
2	ICJI2217	COVER INNER ION 22X17	3	BJI1819	BASE FOAM JAY ION 18X19
2	ICJI2218	COVER INNER ION 22X18	3	BJI1820	BASE FOAM JAY ION 18X20
2	ICJI2219	COVER INNER ION 22X19	3	BJI1821	BASE FOAM JAY ION 18X21
2	ICJI2220	COVER INNER ION 22X20	3	BJI1822	BASE FOAM JAY ION 18X22
2	ICJI2221	COVER INNER ION 22X21	3	BJI1823	BASE FOAM JAY ION 18X23
2	ICJI2222	COVER INNER ION 22X22	3	BJI1824	BASE FOAM JAY ION 18X24
2	ICJI2223	COVER INNER ION 22X23	3	BJI1915	BASE FOAM JAY ION 19X15
2	ICJI2224	COVER INNER ION 22X24	3	BJI1916	BASE FOAM JAY ION 19X16
2	ICJI2319	COVER INNER ION 23X19	3	BJI1917	BASE FOAM JAY ION 19X17
2	ICJI2320	COVER INNER ION 23X20	3	BJI1918	BASE FOAM JAY ION 19X18
2	ICJI2321	COVER INNER ION 23X21	3	BJI1919	BASE FOAM JAY ION 19X19
2	ICJI2322	COVER INNER ION 23X22	3	BJI1920	BASE FOAM JAY ION 19X20
2	ICJI2323	COVER INNER ION 23X23	3	BJI1921	BASE FOAM JAY ION 19X21
2	ICJI2324	COVER INNER ION 23X24	3	BJI1922	BASE FOAM JAY ION 19X22
2	ICJI2419	COVER INNER ION 24X19	3	BJI1923	BASE FOAM JAY ION 19X23
2	ICJI2420	COVER INNER ION 24X20	3	BJI1924	BASE FOAM JAY ION 19X24
2	ICJI2421	COVER INNER ION 24X21	3	BJI2015	BASE FOAM JAY ION 20X15
2	ICJI2422	COVER INNER ION 24X22	3	BJI2016	BASE FOAM JAY ION 20X16
2	ICJI2423	COVER INNER ION 24X23	3	BJI2017	BASE FOAM JAY ION 20X17
2	ICJI2424	COVER INNER ION 24X24	3	BJI2018	BASE FOAM JAY ION 20X18
3	BJI1414	BASE FOAM JAY ION 14X14	3	BJI2019	BASE FOAM JAY ION 20X19
3	BJI1415	BASE FOAM JAY ION 14X15	3	BJI2020	BASE FOAM JAY ION 20X20
3	BJI1416	BASE FOAM JAY ION 14X16	3	BJI2021	BASE FOAM JAY ION 20X21
3	BJI1417	BASE FOAM JAY ION 14X17	3	BJI2022	BASE FOAM JAY ION 20X22
3	BJI1418	BASE FOAM JAY ION 14X18	3	BJI2023	BASE FOAM JAY ION 20X23
3	BJI1514	BASE FOAM JAY ION 15X14	3	BJI2024	BASE FOAM JAY ION 20X24
3	BJI1515	BASE FOAM JAY ION 15X15	3	BJI2117	BASE FOAM JAY ION 21X17
3	BJI1516	BASE FOAM JAY ION 15X16	3	BJI2118	BASE FOAM JAY ION 21X18
3	BJI1517	BASE FOAM JAY ION 15X17	3	BJI2119	BASE FOAM JAY ION 21X19
3	BJI1518	BASE FOAM JAY ION 15X18	3	BJI2120	BASE FOAM JAY ION 21X20
3	BJI1519	BASE FOAM JAY ION 15X19	3	BJI2121	BASE FOAM JAY ION 21X21
3	BJI1520	BASE FOAM JAY ION 15X20	3	BJI2122	BASE FOAM JAY ION 21X22
3	BJI1521	BASE FOAM JAY ION 15X21	3	BJI2123	BASE FOAM JAY ION 21X23
3	BJI1614	BASE FOAM JAY ION 16X14	3	BJI2124	BASE FOAM JAY ION 21X24
3	BJI1615	BASE FOAM JAY ION 16X15	3	BJI2217	BASE FOAM JAY ION 22X17
3	BJI1616	BASE FOAM JAY ION 16X16	3	BJI2218	BASE FOAM JAY ION 22X18
3	BJI1617	BASE FOAM JAY ION 16X17	3	BJI2219	BASE FOAM JAY ION 22X19
3	BJI1618	BASE FOAM JAY ION 16X18	3	BJI2220	BASE FOAM JAY ION 22X20
3	BJI1619	BASE FOAM JAY ION 16X19	3	BJI2221	BASE FOAM JAY ION 22X21
3	BJI1620	BASE FOAM JAY ION 16X20	3	BJI2222	BASE FOAM JAY ION 22X22
3	BJI1621	BASE FOAM JAY ION 16X21	3	BJI2223	BASE FOAM JAY ION 22X23
3	BJI1622	BASE FOAM JAY ION 16X22	3	BJI2224	BASE FOAM JAY ION 22X24
3	BJI1714	BASE FOAM JAY ION 17X14	3	BJI2319	BASE FOAM JAY ION 23X19
3	BJI1715	BASE FOAM JAY ION 17X15	3	BJI2320	BASE FOAM JAY ION 23X20
3	BJI1716	BASE FOAM JAY ION 17X16	3	BJI2321	BASE FOAM JAY ION 23X21
3	BJI1717	BASE FOAM JAY ION 17X17	3	BJI2322	BASE FOAM JAY ION 23X22
3	BJI1718	BASE FOAM JAY ION 17X18	3	BJI2323	BASE FOAM JAY ION 23X23

Pos.	Item Number	Description	Pos.	Item Number	Description
3	BJI2324	BASE FOAM JAY ION 23X24	3	BJI2422	BASE FOAM JAY ION 24X22
3	BJI2419	BASE FOAM JAY ION 24X19	3	BJI2423	BASE FOAM JAY ION 24X23
3	BJI2420	BASE FOAM JAY ION 24X20	3	BJI2424	BASE FOAM JAY ION 24X24
3	BJI2421	BASE FOAM JAY ION 24X21			

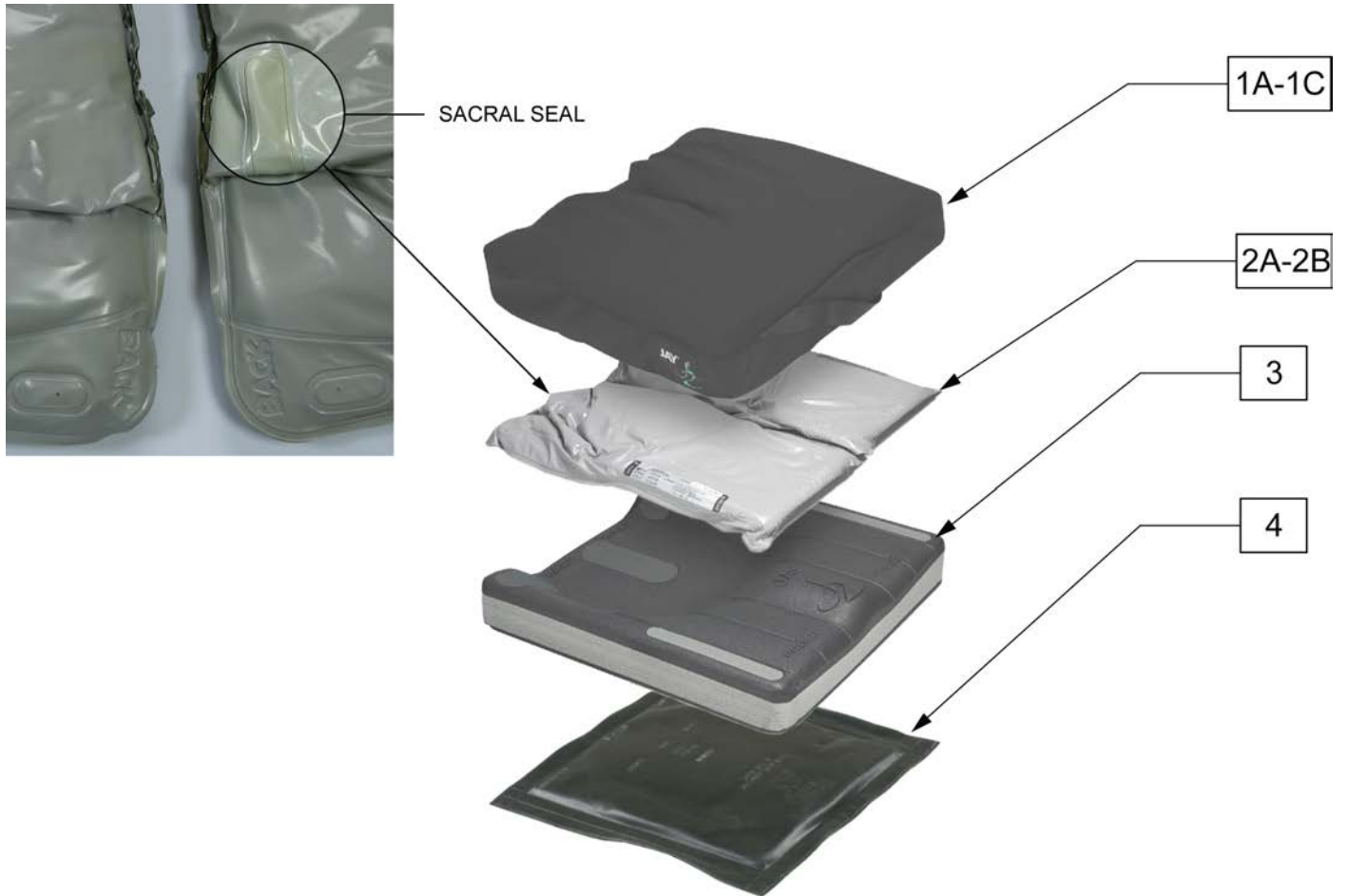
Note: For exact cushion dimensions and measuring guidelines please reference the Jay Backs and Cushions Brochure. (Literature part number 0110.)



Pos.	Item Number	Description	Pos.	Item Number	Description
1	C4206LS	COVER J-GEL LOW SHEAR 20x16	2	G4248	GEL PAD J-GEL REPLACEMENT 14x18
1	C4208LS	COVER J-GEL LOW SHEAR 20x18	2	G4260	GEL PAD J-GEL REPLACEMENT 16x20
1	C4246LS	COVER J-GEL LOW SHEAR 14x16	2	G4266	GEL PAD J-GEL REPLACEMENT 16x16
1	C4248LS	COVER J-GEL LOW SHEAR 14x18	2	G4268	GEL PAD J-GEL REPLACEMENT 16x18
1	C4260LS	COVER J-GEL LOW SHEAR 16x20	2	G4270	GEL PAD J-GEL REPLACEMENT 17x20
1	C4266LS	COVER J-GEL LOW SHEAR 16x16	2	G4276	GEL PAD J-GEL REPLACEMENT 17x16
1	C4268LS	COVER J-GEL LOW SHEAR 16x18	2	G4278	GEL PAD J-GEL REPLACEMENT 17x18
1	C4270LS	COVER J-GEL LOW SHEAR 17x20	3	G4280	GEL PAD J-GEL REPLACEMENT 18x20
1	C4276LS	COVER J-GEL LOW SHEAR 17x16	2	G4286	GEL PAD J-GEL REPLACEMENT 18x16
1	C4278LS	COVER J-GEL LOW SHEAR 17x18	2	G4288	GEL PAD J-GEL REPLACEMENT 18x18
1	C4280LS	COVER J-GEL LOW SHEAR 18x20	3	B4206	BASE J-GEL 20x16
1	C4286LS	COVER J-GEL LOW SHEAR 18x16	3	B4208	BASE J-GEL 20x18
1	C4288LS	COVER J-GEL LOW SHEAR 18x18	3	B4246	BASE J-GEL 14x16
2	G4206	GEL PAD J-GEL REPLACEMENT 20x16	3	B4248	BASE J-GEL 14x18
2	G4208	GEL PAD J-GEL REPLACEMENT 20x18	3	B4260	BASE J-GEL 16x20
2	G4246	GEL PAD J-GEL REPLACEMENT 14x16	3	B4266	BASE J-GEL 16x16

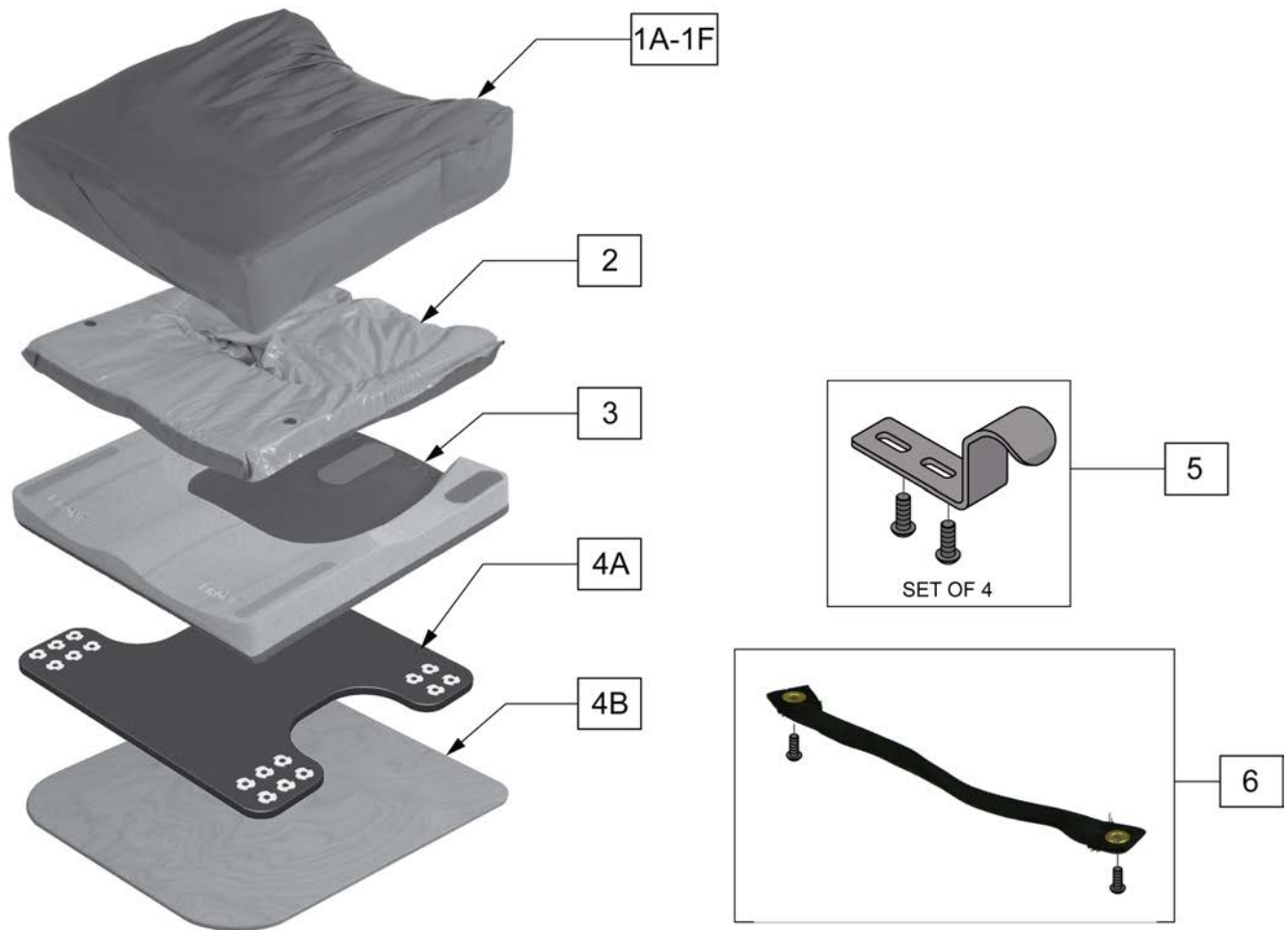
Pos.	Item Number	Description	Pos.	Item Number	Description
3	B4268	BASE J-GEL 16x18	4	S4260	SOLID SEAT J-GEL 16x20
3	B4270	BASE J-GEL 17x20	4	S4266	SOLID SEAT J-GEL 16x16
3	B4276	BASE J-GEL 17x16	4	S4268	SOLID SEAT J-GEL 16x18
3	B4278	BASE J-GEL 17x18	4	S4270	SOLID SEAT J-GEL 17x20
3	B4280	BASE J-GEL 18x20	4	S4276	SOLID SEAT J-GEL 17x16
3	B4286	BASE J-GEL 18x16	4	S4278	SOLID SEAT J-GEL 17x18
3	B4288	BASE J-GEL 18x18	4	S4280	SOLID SEAT J-GEL 18x20
4	S4206	SOLID SEAT J-GEL 20x16	4	S4286	SOLID SEAT J-GEL 18x16
4	S4208	SOLID SEAT J-GEL 20x18	4	S4288	SOLID SEAT J-GEL 18x18
4	S4246	SOLID SEAT J-GEL 14x16	5	M-4204	REPAIR KIT J-GEL
4	S4248	SOLID SEAT J-GEL 14x18			

NOTE: SACRAL SEAL HELPS PREVENT FLUID FROM MIGRATING TO THE REAR OF THE FLUID PAD WHEN INDIVIDUALS ARE IN RECLINED OR POSTERIOR PELVIC TILT POSITION.



Pos.	Item Number	Description	Remarks	Pos.	Item Number	Description	Remarks
1	C2100-MJ	COVER J2 18 x 16		1A	C2104A	COVER J2 AIR EXCHANGE 24 x 20	
1	C2101	COVER J2 18 x 18		1A	C2105A	COVER J2 AIR EXCHANGE 15.5 x 16	
1	C2102	COVER J2 20 x20		1A	C2106A	COVER J2 AIR EXCHANGE 15.5 x 18	
1	C2103	COVER J2 18 x 20		1A	C2107A	COVER J2 AIR EXCHANGE 15.5 x 20	
1	C2104	COVER J2 24 x 20		1A	C2108A	COVER J2 AIR EXCHANGE 14 x 16	
1	C2105	COVER J2 15.5 x 16		1A	C2116A	COVER J2 AIR EXCHANGE 20 x 16	
1	C2106	COVER J2 15.5 x 18		1A	C2117A	COVER J2 AIR EXCHANGE 17 x 17	
1	C2107	COVER J2 15.5 x 20		1A	C2118A	COVER J2 AIR EXCHANGE 20 x 18	
1	C2108	COVER J2 14 x 16		1B	C2100N	COVER J2 INCONTINENT 18 x 16	
1	C2116	COVER J2 20 x 16		1B	C2101N	COVER J2 INCONTINENT 18 x 18	
1	C2117	COVER J2 17 x 17		1B	C2102N	COVER J2 INCONTINENT 20 x20	
1	C2118	COVER J2 20 x 18		1B	C2103N	COVER J2 INCONTINENT 18 x 20	
1A	C2100A	COVER J2 AIR EXCHANGE 18 x 16		1B	C2104N	COVER J2 INCONTINENT 24 x 20	
1A	C2101A	COVER J2 AIR EXCHANGE 18 x 18		1B	C2105N	COVER J2 INCONTINENT 15.5 x 16	
1A	C2102A	COVER J2 AIR EXCHANGE 20 x20		1B	C2106N	COVER J2 INCONTINENT 15.5 x 18	
1A	C2103A	COVER J2 AIR EXCHANGE 18 x 20		1B	C2107N	COVER J2 INCONTINENT 15.5 x 20	

Pos.	Item Number	Description	Remarks	Pos.	Item Number	Description	Remarks
1B	C2108N	COVER J2 INCONTINEN T14 x 16		2A	F2117.1	FLUID PAD J2 RECLINE 17 x 17	*
1B	C2116N	COVER J2 INCONTINENT 20 x 16		2A	F2118.1	FLUID PAD J2 RECLINE 20 x 18	*
1B	C2117N	COVER J2 INCONTINENT 17 x 17		3	B2100	BASE J2 18 x 16	
1B	C2118N	COVER J2 INCONTINENT 20 x 18		3	B2101	BASE J2 18 x 18	
2	F2100	FLUID PAD J2 18 x 16		3	B2102	BASE J2 20 x20	
2	F2101	FLUID PAD J2 18 x 18		3	B2103	BASE J2 18 x 20	
2	F2102	FLUID PAD J2 20 x20		3	B2104	BASE J2 24 x 20	
2	F2103	FLUID PAD J2 18 x 20		3	B2105	BASE J2 15.5 x 16	
2	F2104	FLUID PAD J2 24 x 20		3	B2106	BASE J2 15.5 x 18	
2	F2105	FLUID PAD J2 15.5 x 16		3	B2107	BASE J2 15.5 x 20	
2	F2106	FLUID PAD J2 15.5 x 18		3	B2108	BASE J2 14 x 16	
2	F2107	FLUID PAD J2 15.5 x 20		3	B2116	BASE J2 20 x 16	
2	F2108	FLUID PAD J2 14 x 16		3	B2117	BASE J2 17 x 17	
2	F2116	FLUID PAD J2 20 x 16		3	B2118	BASE J2 20 x 18	
2	F2117	FLUID PAD J2 17 x 17		4	S2100	SOLID SEAT J2 NON SKID 18 x 16	
2	F2118	FLUID PAD J2 20 x 18		4	S2101	SOLID SEAT J2 NON SKID 18 x 18	
2A	F2100.1	FLUID PAD J2 RECLINE 18 x 16	*	4	S2102	SOLID SEAT J2 NON SKID 20 x20	
2A	F2101.1	FLUID PAD J2 RECLINE 18 x 18	*	4	S2103	SOLID SEAT J2 NON SKID 18 x 20	
2A	F2102.1	FLUID PAD J2 RECLINE 20 x20	*	4	S2104	SOLID SEAT J2 NON SKID 24 x 20	
2A	F2103.1	FLUID PAD J2 RECLINE 18 x 20	*	4	S2105	SOLID SEAT J2 NON SKID 15.5 x 16	
2A	F2104.1	FLUID PAD J2 RECLINE 24 x 20	*	4	S2106	SOLID SEAT J2 NON SKID 15.5 x 18	
2A	F2105.1	FLUID PAD J2 RECLINE 15.5 x 16	*	4	S2107	SOLID SEAT J2 NON SKID 15.5 x 20	
2A	F2106.1	FLUID PAD J2 RECLINE 15.5 x 18	*	4	S2108	SOLID SEAT J2 NON SKID 14 x 16	
2A	F2107.1	FLUID PAD J2 RECLINE 15.5 x 20	*	4	S2116	SOLID SEAT J2 NON SKID 20 x 16	
2A	F2108.1	FLUID PAD J2 RECLINE 14 x 16	*	4	S2117	SOLID SEAT J2 NON SKID 17 x 17	
2A	F2116.1	FLUID PAD J2 RECLINE 20 x 16	*	4	S2118	SOLID SEAT J2 NON SKID 20 x 18	



Pos.	Item Number	Description	Remarks
1A	C2444	COVER J2 DEEP CONTUR 14 x 14	ZIPPERED COVER
1A	C2446	COVER J2 DEEP CONTUR 14 x 16	ZIPPERED COVER
1A	C2455	COVER J2 DEEP CONTUR 15 x 15	ZIPPERED COVER
1A	C2457	COVER J2 DEEP CONTUR 15 x 17	ZIPPERED COVER
1A	C2466	COVER J2 DEEP CONTUR 16 x 16	ZIPPERED COVER
1A	C2468	COVER J2 DEEP CONTUR 16 x 18	ZIPPERED COVER
1A	C2475	COVER J2 DEEP CONTUR 17 x 15	ZIPPERED COVER
1A	C2477	COVER J2 DEEP CONTUR 17 x 17	ZIPPERED COVER
1A	C2486	COVER J2 DEEP CONTUR 18 x 16	ZIPPERED COVER
1A	C2488	COVER J2 DEEP CONTUR 18 x 18	ZIPPERED COVER
1A	C2406	COVER J2 DEEP CONTUR 20 x 16	ZIPPERED COVER
1A	C2408	COVER J2 DEEP CONTUR 20 x 18	ZIPPERED COVER
1A	C2426	COVER J2 DEEP CONTUR 22 x 16	ZIPPERED COVER
1A	C2428	COVER J2 DEEP CONTUR 22 x 18	ZIPPERED COVER
1A	C2460	COVER J2 DEEP CONTUR 16 x 20	ZIPPERED COVER
1A	C2480	COVER J2 DEEP CONTUR 18 x 20	ZIPPERED COVER
1A	C2400	COVER J2 DEEP CONTUR 20 x 20	ZIPPERED COVER
1A	C2448	COVER J2 DEEP CONTUR 24 x 18	ZIPPERED COVER
1B	C2444A	COVER J2 DEEP CONTOUR AIR EXCHANGE 14 x 14	ZIPPERED COVER
1B	C2446A	COVER J2 DEEP CONTOUR AIR EXCHANGE 14 x 16	ZIPPERED COVER

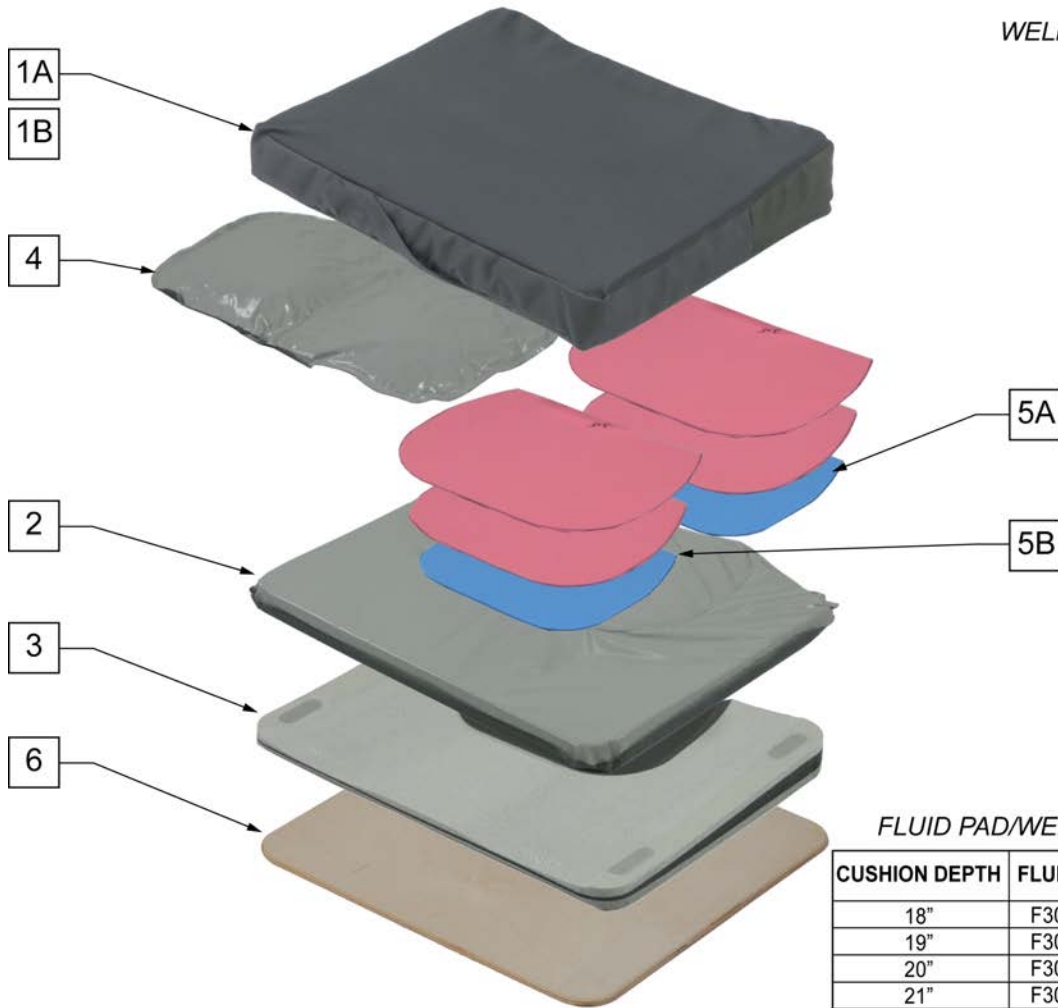
Pos.	Item Number	Description	Remarks
1B	C2455A	COVER J2 DEEP CONTOUR AIR EXCHANGE 15 x 15	ZIPPERED COVER
1B	C2457A	COVER J2 DEEP CONTOUR AIR EXCHANGE 15 x 17	ZIPPERED COVER
1B	C2466A	COVER J2 DEEP CONTOUR AIR EXCHANGE 16 x 16	ZIPPERED COVER
1B	C2468A	COVER J2 DEEP CONTOUR AIR EXCHANGE 16 x 18	ZIPPERED COVER
1B	C2475A	COVER J2 DEEP CONTOUR AIR EXCHANGE 17 x 15	ZIPPERED COVER
1B	C2477A	COVER J2 DEEP CONTOUR AIR EXCHANGE 17 x 17	ZIPPERED COVER
1B	C2486A	COVER J2 DEEP CONTOUR AIR EXCHANGE 18 x 16	ZIPPERED COVER
1B	C2488A	COVER J2 DEEP CONTOUR AIR EXCHANGE 18 x 18	ZIPPERED COVER
1B	C2406A	COVER J2 DEEP CONTOUR AIR EXCHANGE 20 x 16	ZIPPERED COVER
1B	C2408A	COVER J2 DEEP CONTOUR AIR EXCHANGE 20 x 18	ZIPPERED COVER
1B	C2426A	COVER J2 DEEP CONTOUR AIR EXCHANGE 22 x 16	ZIPPERED COVER
1B	C2428A	COVER J2 DEEP CONTOUR AIR EXCHANGE 22 x 18	ZIPPERED COVER
1B	C2460A	COVER J2 DEEP CONTOUR AIR EXCHANGE 16 x 20	ZIPPERED COVER
1B	C2480A	COVER J2 DEEP CONTOUR AIR EXCHANGE 18 x 20	ZIPPERED COVER
1B	C2400A	COVER J2 DEEP CONTOUR AIR EXCHANGE 20 x 20	ZIPPERED COVER
1B	C2448A	COVER J2 DEEP CONTOUR AIR EXCHANGE 24 x 18	ZIPPERED COVER
1C	C2444N	COVER J2 DEEP CONTOUR INCONTINENT 14 x 14	ZIPPERED COVER
1C	C2446N	COVER J2 DEEP CONTOUR INCONTINENT 14 x 16	ZIPPERED COVER
1C	C2455N	COVER J2 DEEP CONTOUR INCONTINENT 15 x 15	ZIPPERED COVER
1C	C2457N	COVER J2 DEEP CONTOUR INCONTINENT 15 x 17	ZIPPERED COVER
1C	C2466N	COVER J2 DEEP CONTOUR INCONTINENT 16 x 16	ZIPPERED COVER
1C	C2468N	COVER J2 DEEP CONTOUR INCONTINENT 16 x 18	ZIPPERED COVER
1C	C2475N	COVER J2 DEEP CONTOUR INCONTINENT 17 x 15	ZIPPERED COVER
1C	C2477N	COVER J2 DEEP CONTOUR INCONTINENT 17 x 17	ZIPPERED COVER
1C	C2486N	COVER J2 DEEP CONTOUR INCONTINENT 18 x 16	ZIPPERED COVER
1C	C2488N	COVER J2 DEEP CONTOUR INCONTINENT 18 x 18	ZIPPERED COVER
1C	C2406N	COVER J2 DEEP CONTOUR INCONTINENT 20 x 16	ZIPPERED COVER
1C	C2408N	COVER J2 DEEP CONTOUR INCONTINENT 20 x 18	ZIPPERED COVER
1C	C2426N	COVER J2 DEEP CONTOUR INCONTINENT 22 x 16	ZIPPERED COVER
1C	C2428N	COVER J2 DEEP CONTOUR INCONTINENT 22 x 18	ZIPPERED COVER
1C	C2460N	COVER J2 DEEP CONTOUR INCONTINENT 16 x 20	ZIPPERED COVER
1C	C2480N	COVER J2 DEEP CONTOUR INCONTINENT 18 x 20	ZIPPERED COVER
1C	C2400N	COVER J2 DEEP CONTOUR INCONTINENT 20 x 20	ZIPPERED COVER
1C	C2448N	COVER J2 DEEP CONTOUR INCONTINENT 24 x 18	ZIPPERED COVER
1D	C2444D	COVER J2 DEEP CONTOUR WITH DROP SEAT 14 x 14	Non-zippered Cover - Standard Stretch
1D	C2446D	COVER J2 DEEP CONTOUR WITH DROP SEAT 14 x 16	Non-zippered Cover - Standard Stretch
1D	C2455D	COVER J2 DEEP CONTOUR WITH DROP SEAT 15 x 15	Non-zippered Cover - Standard Stretch
1D	C2457D	COVER J2 DEEP CONTOUR WITH DROP SEAT 15 x 17	Non-zippered Cover - Standard Stretch
1D	C2466D	COVER J2 DEEP CONTOUR WITH DROP SEAT 16 x 16	Non-zippered Cover - Standard Stretch
1D	C2468D	COVER J2 DEEP CONTOUR WITH DROP SEAT 16 x 18	Non-zippered Cover - Standard Stretch
1D	C2475D	COVER J2 DEEP CONTOUR WITH DROP SEAT 17 x 15	Non-zippered Cover - Standard Stretch
1D	C2477D	COVER J2 DEEP CONTOUR WITH DROP SEAT 17 x 17	Non-zippered Cover - Standard Stretch
1D	C2486D	COVER J2 DEEP CONTOUR WITH DROP SEAT 18 x 16	Non-zippered Cover - Standard Stretch
1D	C2488D	COVER J2 DEEP CONTOUR WITH DROP SEAT 18 x 18	Non-zippered Cover - Standard Stretch
1D	C2406D	COVER J2 DEEP CONTOUR WITH DROP SEAT 20 x 16	Non-zippered Cover - Standard Stretch
1D	C2408D	COVER J2 DEEP CONTOUR WITH DROP SEAT 20 x 18	Non-zippered Cover - Standard Stretch
1D	C2426D	COVER J2 DEEP CONTOUR WITH DROP SEAT 22 x 16	Non-zippered Cover - Standard Stretch
1D	C2428D	COVER J2 DEEP CONTOUR WITH DROP SEAT 22 x 18	Non-zippered Cover - Standard Stretch
1D	C2460D	COVER J2 DEEP CONTOUR WITH DROP SEAT 16 x 20	Non-zippered Cover - Standard Stretch
1D	C2480D	COVER J2 DEEP CONTOUR WITH DROP SEAT 18 x 20	Non-zippered Cover - Standard Stretch
1D	C2400D	COVER J2 DEEP CONTOUR WITH DROP SEAT 20 x 20	Non-zippered Cover - Standard Stretch
1D	C2448D	COVER J2 DEEP CONTOUR WITH DROP SEAT 24 x 18	Non-zippered Cover - Standard Stretch
1E	C2444AD	COVER J2 DEEP CONTOUR AIR EXCHANGE WITH DROP SEAT 14 x 14	NON-ZIPPERD COVER
1E	C2446AD	COVER J2 DEEP CONTOUR AIR EXCHANGE WITH DROP SEAT 14 x 16	NON-ZIPPERD COVER
1E	C2455AD	COVER J2 DEEP CONTOUR AIR EXCHANGE WITH DROP SEAT 15 x 15	NON-ZIPPERD COVER
1E	C2457AD	COVER J2 DEEP CONTOUR AIR EXCHANGE WITH DROP SEAT 15 x 17	NON-ZIPPERD COVER
1E	C2466AD	COVER J2 DEEP CONTOUR AIR EXCHANGE WITH DROP SEAT 16 x 16	NON-ZIPPERD COVER

Pos.	Item Number	Description	Remarks
1E	C2468AD	COVER J2 DEEP CONTOUR AIR EXCHANGE WITH DROP SEAT 16 x 18	NON-ZIPPERD COVER
1E	C2475AD	COVER J2 DEEP CONTOUR AIR EXCHANGE WITH DROP SEAT 17 x 15	NON-ZIPPERD COVER
1E	C2477AD	COVER J2 DEEP CONTOUR AIR EXCHANGE WITH DROP SEAT 17 x 17	NON-ZIPPERD COVER
1E	C2486AD	COVER J2 DEEP CONTOUR AIR EXCHANGE WITH DROP SEAT 18 x 16	NON-ZIPPERD COVER
1E	C2488AD	COVER J2 DEEP CONTOUR AIR EXCHANGE WITH DROP SEAT 18 x 18	NON-ZIPPERD COVER
1E	C2406AD	COVER J2 DEEP CONTOUR AIR EXCHANGE WITH DROP SEAT 20 x 16	NON-ZIPPERD COVER
1E	C2408AD	COVER J2 DEEP CONTOUR AIR EXCHANGE WITH DROP SEAT 20 x 18	NON-ZIPPERD COVER
1E	C2426AD	COVER J2 DEEP CONTOUR AIR EXCHANGE WITH DROP SEAT 22 x 16	NON-ZIPPERD COVER
1E	C2428AD	COVER J2 DEEP CONTOUR AIR EXCHANGE WITH DROP SEAT 22 x 18	NON-ZIPPERD COVER
1E	C2460AD	COVER J2 DEEP CONTOUR AIR EXCHANGE WITH DROP SEAT 16 x 20	NON-ZIPPERD COVER
1E	C2480AD	COVER J2 DEEP CONTOUR AIR EXCHANGE WITH DROP SEAT 18 x 20	NON-ZIPPERD COVER
1E	C2400AD	COVER J2 DEEP CONTOUR AIR EXCHANGE WITH DROP SEAT 20 x 20	NON-ZIPPERD COVER
1E	C2448AD	COVER J2 DEEP CONTOUR AIR EXCHANGE WITH DROP SEAT 24 x 18	NON-ZIPPERD COVER
1F	C2444ND	COVER J2 DEEP CONTOUR INCONTINENT WITH DROP SEAT 14 x 14	NON-ZIPPERD COVER
1F	C2446ND	COVER J2 DEEP CONTOUR INCONTINENT WITH DROP SEAT 14 x 16	NON-ZIPPERD COVER
1F	C2455ND	COVER J2 DEEP CONTOUR INCONTINENT WITH DROP SEAT 15 x 15	NON-ZIPPERD COVER
1F	C2457ND	COVER J2 DEEP CONTOUR INCONTINENT WITH DROP SEAT 15 x 17	NON-ZIPPERD COVER
1F	C2466ND	COVER J2 DEEP CONTOUR INCONTINENT WITH DROP SEAT 16 x 16	NON-ZIPPERD COVER
1F	C2468ND	COVER J2 DEEP CONTOUR INCONTINENT WITH DROP SEAT 16 x 18	NON-ZIPPERD COVER
1F	C2475ND	COVER J2 DEEP CONTOUR INCONTINENT WITH DROP SEAT 17 x 15	NON-ZIPPERD COVER
1F	C2477ND	COVER J2 DEEP CONTOUR INCONTINENT WITH DROP SEAT 17 x 17	NON-ZIPPERD COVER
1F	C2486ND	COVER J2 DEEP CONTOUR INCONTINENT WITH DROP SEAT 18 x 16	NON-ZIPPERD COVER
1F	C2488ND	COVER J2 DEEP CONTOUR INCONTINENT WITH DROP SEAT 18 x 18	NON-ZIPPERD COVER
1F	C2406ND	COVER J2 DEEP CONTOUR INCONTINENT WITH DROP SEAT 20 x 16	NON-ZIPPERD COVER
1F	C2408ND	COVER J2 DEEP CONTOUR INCONTINENT WITH DROP SEAT 20 x 18	NON-ZIPPERD COVER
1F	C2426ND	COVER J2 DEEP CONTOUR INCONTINENT WITH DROP SEAT 22 x 16	NON-ZIPPERD COVER
1F	C2428ND	COVER J2 DEEP CONTOUR INCONTINENT WITH DROP SEAT 22 x 18	NON-ZIPPERD COVER
1F	C2460ND	COVER J2 DEEP CONTOUR INCONTINENT WITH DROP SEAT 16 x 20	NON-ZIPPERD COVER
1F	C2480ND	COVER J2 DEEP CONTOUR INCONTINENT WITH DROP SEAT 18 x 20	NON-ZIPPERD COVER
1F	C2400ND	COVER J2 DEEP CONTOUR INCONTINENT WITH DROP SEAT 20 x 20	NON-ZIPPERD COVER
1F	C2448ND	COVER J2 DEEP CONTOUR INCONTINENT WITH DROP SEAT 24 x 18	NON-ZIPPERD COVER
2	F2444	FLUID PAD J2 DEEP CONTOUR 14 x 14	
2	F2446	FLUID PAD J2 DEEP CONTOUR 14 x 16	
2	F2455	FLUID PAD J2 DEEP CONTOUR 15 x 15	
2	F2457	FLUID PAD J2 DEEP CONTOUR 15 x 17	
2	F2466	FLUID PAD J2 DEEP CONTOUR 16 x 16	
2	F2468	FLUID PAD J2 DEEP CONTOUR 16 x 18	
2	F2475	FLUID PAD J2 DEEP CONTOUR 17 x 15	
2	F2477	FLUID PAD J2 DEEP CONTOUR 17 x 17	
2	F2486	FLUID PAD J2 DEEP CONTOUR 18 x 16	
2	F2488	FLUID PAD J2 DEEP CONTOUR 18 x 18	
2	F2406	FLUID PAD J2 DEEP CONTOUR 20 x 16	
2	F2408	FLUID PAD J2 DEEP CONTOUR 20 x 18	
2	F2426	FLUID PAD J2 DEEP CONTOUR 22 x 16	
2	F2428	FLUID PAD J2 DEEP CONTOUR 22 x 18	
2	F2460	FLUID PAD J2 DEEP CONTOUR 16 x 20	
2	F2480	FLUID PAD J2 DEEP CONTOUR 18 x 20	
2	F2400	FLUID PAD J2 DEEP CONTOUR 20 x 20	
2	F2448	FLUID PAD J2 DEEP CONTOUR 24 x 18	
3	B2444	BASE J2 DEEP CONTOUR 14 x 14	
3	B2446	BASE J2 DEEP CONTOUR 14 x 16	
3	B2455	BASE J2 DEEP CONTOUR 15 x 15	
3	B2457	BASE J2 DEEP CONTOUR 15 x 17	
3	B2466	BASE J2 DEEP CONTOUR 16 x 16	
3	B2468	BASE J2 DEEP CONTOUR 16 x 18	
3	B2475	BASE J2 DEEP CONTOUR 17 x 15	
3	B2477	BASE J2 DEEP CONTOUR 17 x 17	

Pos.	Item Number	Description	Remarks
3	B2486	BASE J2 DEEP CONTOUR 18 x 16	
3	B2488	BASE J2 DEEP CONTOUR 18 x 18	
3	B2406	BASE J2 DEEP CONTOUR 20 x 16	
3	B2408	BASE J2 DEEP CONTOUR 20 x 18	
3	B2426	BASE J2 DEEP CONTOUR 22 x 16	
3	B2428	BASE J2 DEEP CONTOUR 22 x 18	
3	B2460	BASE J2 DEEP CONTOUR 16 x 20	
3	B2480	BASE J2 DEEP CONTOUR 18 x 20	
3	B2400	BASE J2 DEEP CONTOUR 20 x 20	
3	B2448	BASE J2 DEEP CONTOUR 24 x 18	
4A	S2444	SOLID SEAT INSERT J2 DEEP CONTOUR 14 x 14	
4A	S2446	SOLID SEAT INSERT J2 DEEP CONTOUR 14 x 16	
4A	S2455	SOLID SEAT INSERT J2 DEEP CONTOUR 15 x 15	
4A	S2457	SOLID SEAT INSERT J2 DEEP CONTOUR 15 x 17	
4A	S2466	SOLID SEAT INSERT J2 DEEP CONTOUR 16 x 16	
4A	S2468	SOLID SEAT INSERT J2 DEEP CONTOUR 16 x 18	
4A	S2475	SOLID SEAT INSERT J2 DEEP CONTOUR 17 x 15	
4A	S2477	SOLID SEAT INSERT J2 DEEP CONTOUR 17 x 17	
4A	S2486	SOLID SEAT INSERT J2 DEEP CONTOUR 18 x 16	
4A	S2488	SOLID SEAT INSERT J2 DEEP CONTOUR 18 x 18	
4A	S2406	SOLID SEAT INSERT J2 DEEP CONTOUR 20 x 16	
4A	S2408	SOLID SEAT INSERT J2 DEEP CONTOUR 20 x 18	
4A	S2426	SOLID SEAT INSERT J2 DEEP CONTOUR 22 x 16	
4A	S2428	SOLID SEAT INSERT J2 DEEP CONTOUR 22 x 18	
4A	S2460	SOLID SEAT INSERT J2 DEEP CONTOUR 16 x 20	
4A	S2480	SOLID SEAT INSERT J2 DEEP CONTOUR 18 x 20	
4A	S2400	SOLID SEAT INSERT J2 DEEP CONTOUR 20 x 20	
4A	S2448	SOLID SEAT INSERT J2 DEEP CONTOUR 24 x 18	
5	M-24S	SHORT 1/2" DROP HOOKS	Pack of 4
5	M-24M	MEDIUM 1" DROP HOOKS	Pack of 4
5	M-24L	LONG 1 1/2" DROP HOOKS	Pack of 4
4-6	SD2444	SOLID DROP SEAT WITH HARDWARE 14 x 14	Ships standard w/ 1 1/2' drop hooks
4-6	SD2446	SOLID DROP SEAT WITH HARDWARE 14 x 16	Ships standard w/ 1 1/2' drop hooks
4-6	SD2455	SOLID DROP SEAT WITH HARDWARE 15 x 15	Ships standard w/ 1 1/2' drop hooks
4-6	SD2457	SOLID DROP SEAT WITH HARDWARE 15 x 17	Ships standard w/ 1 1/2' drop hooks
4-6	SD2466	SOLID DROP SEAT WITH HARDWARE 16 x 16	Ships standard w/ 1 1/2' drop hooks
4-6	SD2468	SOLID DROP SEAT WITH HARDWARE 16 x 18	Ships standard w/ 1 1/2' drop hooks
4-6	SD2475	SOLID DROP SEAT WITH HARDWARE 17 x 15	Ships standard w/ 1 1/2' drop hooks
4-6	SD2477	SOLID DROP SEAT WITH HARDWARE 17 x 17	Ships standard w/ 1 1/2' drop hooks
4-6	SD2486	SOLID DROP SEAT WITH HARDWARE 18 x 16	Ships standard w/ 1 1/2' drop hooks
4-6	SD2488	SOLID DROP SEAT WITH HARDWARE 18 x 18	Ships standard w/ 1 1/2' drop hooks
4-6	SD2406	SOLID DROP SEAT WITH HARDWARE 20 x 16	Ships standard w/ 1 1/2' drop hooks
4-6	SD2408	SOLID DROP SEAT WITH HARDWARE 20 x 18	Ships standard w/ 1 1/2' drop hooks
4-6	SD2426	SOLID DROP SEAT WITH HARDWARE 22 x 16	Ships standard w/ 1 1/2' drop hooks
4-6	SD2428	SOLID DROP SEAT WITH HARDWARE 22 x 18	Ships standard w/ 1 1/2' drop hooks
4-6	SD2460	SOLID DROP SEAT WITH HARDWARE 16 x 20	Ships standard w/ 1 1/2' drop hooks
4-6	SD2480	SOLID DROP SEAT WITH HARDWARE 18 x 20	Ships standard w/ 1 1/2' drop hooks
4-6	SD2400	SOLID DROP SEAT WITH HARDWARE 20 x 20	Ships standard w/ 1 1/2' drop hooks
4-6	SD2448	SOLID DROP SEAT WITH HARDWARE 24 x 18	Ships standard w/ 1 1/2' drop hooks
6	M-2404H	HANDLE KIT J2 DEEP CONTOUR CUSHION 14"	
6	M-2405H	HANDLE KIT J2 DEEP CONTOUR CUSHION 15"	
6	M-2406H	HANDLE KIT J2 DEEP CONTOUR CUSHION 16"	
6	M-2407H	HANDLE KIT J2 DEEP CONTOUR CUSHION 17"	
6	M-2408H	HANDLE KIT J2 DEEP CONTOUR CUSHION 18"	
6	M-2409H	HANDLE KIT J2 DEEP CONTOUR CUSHION 20"	
6	M-2410H	HANDLE KIT J2 DEEP CONTOUR CUSHION 22"	
6	M-2411H	HANDLE KIT J2 DEEP CONTOUR CUSHION 24"	

Pos.	Item Number	Description	Remarks
3,4,5, 6	B2444	BASE J2 DEEP CONTOUR WITH DROP SEAT 14 x 14	Ships standard w/ 1 1/2' drop hooks
3,4,5, 6	B2446	BASE J2 DEEP CONTOUR WITH DROP SEAT 14 x 16	Ships standard w/ 1 1/2' drop hooks
3,4,5, 6	B2455	BASE J2 DEEP CONTOUR WITH DROP SEAT 15 x 15	Ships standard w/ 1 1/2' drop hooks
3,4,5, 6	B2457	BASE J2 DEEP CONTOUR WITH DROP SEAT 15 x 17	Ships standard w/ 1 1/2' drop hooks
3,4,5, 6	B2466	BASE J2 DEEP CONTOUR WITH DROP SEAT 16 x 16	Ships standard w/ 1 1/2' drop hooks
3,4,5, 6	B2468	BASE J2 DEEP CONTOUR WITH DROP SEAT 16 x 18	Ships standard w/ 1 1/2' drop hooks
3,4,5, 6	B2475	BASE J2 DEEP CONTOUR WITH DROP SEAT 17 x 15	Ships standard w/ 1 1/2' drop hooks
3,4,5, 6	B2477	BASE J2 DEEP CONTOUR WITH DROP SEAT 17 x 17	Ships standard w/ 1 1/2' drop hooks
3,4,5, 6	B2486	BASE J2 DEEP CONTOUR WITH DROP SEAT 18 x 16	Ships standard w/ 1 1/2' drop hooks
3,4,5, 6	B2488	BASE J2 DEEP CONTOUR WITH DROP SEAT 18 x 18	Ships standard w/ 1 1/2' drop hooks
3,4,5, 6	B2406	BASE J2 DEEP CONTOUR WITH DROP SEAT 20 x 16	Ships standard w/ 1 1/2' drop hooks
3,4,5, 6	B2408	BASE J2 DEEP CONTOUR WITH DROP SEAT 20 x 18	Ships standard w/ 1 1/2' drop hooks
3,4,5, 6	B2426	BASE J2 DEEP CONTOUR WITH DROP SEAT 22 x 16	Ships standard w/ 1 1/2' drop hooks
3,4,5, 6	B2428	BASE J2 DEEP CONTOUR WITH DROP SEAT 22 x 18	Ships standard w/ 1 1/2' drop hooks
3,4,5, 6	B2460	BASE J2 DEEP CONTOUR WITH DROP SEAT 16 x 20	Ships standard w/ 1 1/2' drop hooks
3,4,5, 6	B2480	BASE J2 DEEP CONTOUR WITH DROP SEAT 18 x 20	Ships standard w/ 1 1/2' drop hooks
3,4,5, 6	B2400	BASE J2 DEEP CONTOUR WITH DROP SEAT 20 x 20	Ships standard w/ 1 1/2' drop hooks
3,4,5, 6	B2448	BASE J2 DEEP CONTOUR WITH DROP SEAT 24 x 18	Ships standard w/ 1 1/2' drop hooks

NOTE: SHIPS WITH FULL SET OF 6 FOAM PIECES.



WELL FOAM KIT DENSITY GUIDE

ITEM	LAYER	FOAM DENSITY
5A	BOTTOM	MEDIUM
5B	BOTTOM	FIRM
5A	MIDDLE	MED/SOFT
5B	MIDDLE	MEDIUM
5A	TOP	MED/SOFT
5B	TOP	SOFT

FLUID PAD/WELL FOAM INSERT GUIDE

CUSHION DEPTH	FLUID PAD	STANDARD WELL FOAM	CUSTOM WELL FOAM
18"	F300018	300018-MJ	300018-MJ
19"	F300020	300020-MJ	300020-MJ
20"	F300020	300020-MJ	300020-MJ
21"	F300022	300022-MJ	300022-MJ
22"	F300022	300022-MJ	300022-MJ

Pos.	Item Number	Description	Remarks
1A	C302018A	J2 PLUS CUSHION COVER AIR EXCHANGE 20 x 18	
1A	C302019A	J2 PLUS CUSHION COVER AIR EXCHANGE 20 x 19	
1A	C302020A	J2 PLUS CUSHION COVER AIR EXCHANGE 20 x 20	
1A	C302021A	J2 PLUS CUSHION COVER AIR EXCHANGE 20 x 21	
1A	C302022A	J2 PLUS CUSHION COVER AIR EXCHANGE 20 x 22	
1A	C302118A	J2 PLUS CUSHION COVER AIR EXCHANGE 21 x 18	
1A	C302119A	J2 PLUS CUSHION COVER AIR EXCHANGE 21 x 19	
1A	C302120A	J2 PLUS CUSHION COVER AIR EXCHANGE 21 x 20	
1A	C302121A	J2 PLUS CUSHION COVER AIR EXCHANGE 21 x 21	
1A	C302122A	J2 PLUS CUSHION COVER AIR EXCHANGE 21 x 22	
1A	C302218A	J2 PLUS CUSHION COVER AIR EXCHANGE 22 x 18	
1A	C302219A	J2 PLUS CUSHION COVER AIR EXCHANGE 22 x 19	
1A	C302220A	J2 PLUS CUSHION COVER AIR EXCHANGE 22 x 20	
1A	C302221A	J2 PLUS CUSHION COVER AIR EXCHANGE 22 x 21	
1A	C302222A	J2 PLUS CUSHION COVER AIR EXCHANGE 22 x 22	
1A	C302318A	J2 PLUS CUSHION COVER AIR EXCHANGE 23 x 18	

Pos.	Item Number	Description	Remarks
1A	C302319A	J2 PLUS CUSHION COVER AIR EXCHANGE 23 x 19	
1A	C302320A	J2 PLUS CUSHION COVER AIR EXCHANGE 23 x 20	
1A	C302321A	J2 PLUS CUSHION COVER AIR EXCHANGE 23 x 21	
1A	C302322A	J2 PLUS CUSHION COVER AIR EXCHANGE 23 x 22	
1A	C302418A	J2 PLUS CUSHION COVER AIR EXCHANGE 24 x 18	
1A	C302419A	J2 PLUS CUSHION COVER AIR EXCHANGE 24 x 19	
1A	C302420A	J2 PLUS CUSHION COVER AIR EXCHANGE 24 x 20	
1A	C302421A	J2 PLUS CUSHION COVER AIR EXCHANGE 24 x 21	
1A	C302422A	J2 PLUS CUSHION COVER AIR EXCHANGE 24 x 22	
1A	C302518A	J2 PLUS CUSHION COVER AIR EXCHANGE 25 x 18	
1A	C302519A	J2 PLUS CUSHION COVER AIR EXCHANGE 25 x 19	
1A	C302520A	J2 PLUS CUSHION COVER AIR EXCHANGE 25 x 20	
1A	C302521A	J2 PLUS CUSHION COVER AIR EXCHANGE 25 x 21	
1A	C302522A	J2 PLUS CUSHION COVER AIR EXCHANGE 25 x 22	
1A	C302618A	J2 PLUS CUSHION COVER AIR EXCHANGE 26 x 18	
1A	C302619A	J2 PLUS CUSHION COVER AIR EXCHANGE 26 x 19	
1A	C302620A	J2 PLUS CUSHION COVER AIR EXCHANGE 26 x 20	
1A	C302621A	J2 PLUS CUSHION COVER AIR EXCHANGE 26 x 21	
1A	C302622A	J2 PLUS CUSHION COVER AIR EXCHANGE 26 x 22	
1B	C302018LS	J2 PLUS CUSHION COVER LOW SHEAR 20 x 18	
1B	C302019LS	J2 PLUS CUSHION COVER LOW SHEAR 20 x 19	
1B	C302020LS	J2 PLUS CUSHION COVER LOW SHEAR 20 x 20	
1B	C302021LS	J2 PLUS CUSHION COVER LOW SHEAR 20 x 21	
1B	C302022LS	J2 PLUS CUSHION COVER LOW SHEAR 20 x 22	
1B	C302118LS	J2 PLUS CUSHION COVER LOW SHEAR 21 x 18	
1B	C302119LS	J2 PLUS CUSHION COVER LOW SHEAR 21 x 19	
1B	C302120LS	J2 PLUS CUSHION COVER LOW SHEAR 21 x 20	
1B	C302121LS	J2 PLUS CUSHION COVER LOW SHEAR 21 x 21	
1B	C302122LS	J2 PLUS CUSHION COVER LOW SHEAR 21 x 22	
1B	C302218LS	J2 PLUS CUSHION COVER LOW SHEAR 22 x 18	
1B	C302219LS	J2 PLUS CUSHION COVER LOW SHEAR 22 x 19	
1B	C302220LS	J2 PLUS CUSHION COVER LOW SHEAR 22 x 20	
1B	C302221LS	J2 PLUS CUSHION COVER LOW SHEAR 22 x 21	
1B	C302222LS	J2 PLUS CUSHION COVER LOW SHEAR 22 x 22	
1B	C302318LS	J2 PLUS CUSHION COVER LOW SHEAR 23 x 18	
1B	C302319LS	J2 PLUS CUSHION COVER LOW SHEAR 23 x 19	
1B	C302320LS	J2 PLUS CUSHION COVER LOW SHEAR 23 x 20	
1B	C302321LS	J2 PLUS CUSHION COVER LOW SHEAR 23 x 21	
1B	C302322LS	J2 PLUS CUSHION COVER LOW SHEAR 23 x 22	
1B	C302418LS	J2 PLUS CUSHION COVER LOW SHEAR 24 x 18	
1B	C302419LS	J2 PLUS CUSHION COVER LOW SHEAR 24 x 19	
1B	C302420LS	J2 PLUS CUSHION COVER LOW SHEAR 24 x 20	
1B	C302421LS	J2 PLUS CUSHION COVER LOW SHEAR 24 x 21	
1B	C302422LS	J2 PLUS CUSHION COVER LOW SHEAR 24 x 22	
1B	C302518LS	J2 PLUS CUSHION COVER LOW SHEAR 25 x 18	
1B	C302519LS	J2 PLUS CUSHION COVER LOW SHEAR 25 x 19	
1B	C302520LS	J2 PLUS CUSHION COVER LOW SHEAR 25 x 20	
1B	C302521LS	J2 PLUS CUSHION COVER LOW SHEAR 25 x 21	
1B	C302522LS	J2 PLUS CUSHION COVER LOW SHEAR 25 x 22	
1B	C302618LS	J2 PLUS CUSHION COVER LOW SHEAR 26 x 18	
1B	C302619LS	J2 PLUS CUSHION COVER LOW SHEAR 26 x 19	
1B	C302620LS	J2 PLUS CUSHION COVER LOW SHEAR 26 x 20	
1B	C302621LS	J2 PLUS CUSHION COVER LOW SHEAR 26 x 21	
1B	C302622LS	J2 PLUS CUSHION COVER LOW SHEAR 26 x 22	
1C	C302018NI	J2 PLUS CUSHION COVER INT INC 20 x 18	
1C	C302019NI	J2 PLUS CUSHION COVER INT INC 20 x 19	
1C	C302020NI	J2 PLUS CUSHION COVER INT INC 20 x 20	

Pos.	Item Number	Description	Remarks
1C	C302021NI	J2 PLUS CUSHION COVER INT INC 20 x 21	
1C	C302022NI	J2 PLUS CUSHION COVER INT INC 20 x 22	
1C	C302118NI	J2 PLUS CUSHION COVER INT INC 21 x 18	
1C	C302119NI	J2 PLUS CUSHION COVER INT INC 21 x 19	
1C	C302120NI	J2 PLUS CUSHION COVER INT INC 21 x 20	
1C	C302121NI	J2 PLUS CUSHION COVER INT INC 21 x 21	
1C	C302122NI	J2 PLUS CUSHION COVER INT INC 21 x 22	
1C	C302218NI	J2 PLUS CUSHION COVER INT INC 22 x 18	
1C	C302219NI	J2 PLUS CUSHION COVER INT INC 22 x 19	
1C	C302220NI	J2 PLUS CUSHION COVER INT INC 22 x 20	
1C	C302221NI	J2 PLUS CUSHION COVER INT INC 22 x 21	
1C	C302222NI	J2 PLUS CUSHION COVER INT INC 22 x 22	
1C	C302318NI	J2 PLUS CUSHION COVER INT INC 23 x 18	
1C	C302319NI	J2 PLUS CUSHION COVER INT INC 23 x 19	
1C	C302320NI	J2 PLUS CUSHION COVER INT INC 23 x 20	
1C	C302321NI	J2 PLUS CUSHION COVER INT INC 23 x 21	
1C	C302322NI	J2 PLUS CUSHION COVER INT INC 23 x 22	
1C	C302418NI	J2 PLUS CUSHION COVER INT INC 24 x 18	
1C	C302419NI	J2 PLUS CUSHION COVER INT INC 24 x 19	
1C	C302420NI	J2 PLUS CUSHION COVER INT INC 24 x 20	
1C	C302421NI	J2 PLUS CUSHION COVER INT INC 24 x 21	
1C	C302422NI	J2 PLUS CUSHION COVER INT INC 24 x 22	
1C	C302518NI	J2 PLUS CUSHION COVER INT INC 25 x 18	
1C	C302519NI	J2 PLUS CUSHION COVER INT INC 25 x 19	
1C	C302520NI	J2 PLUS CUSHION COVER INT INC 25 x 20	
1C	C302521NI	J2 PLUS CUSHION COVER INT INC 25 x 21	
1C	C302522NI	J2 PLUS CUSHION COVER INT INC 25 x 22	
1C	C302618NI	J2 PLUS CUSHION COVER INT INC 26 x 18	
1C	C302619NI	J2 PLUS CUSHION COVER INT INC 26 x 19	
1C	C302620NI	J2 PLUS CUSHION COVER INT INC 26 x 20	
1C	C302621NI	J2 PLUS CUSHION COVER INT INC 26 x 21	
1C	C302622NI	J2 PLUS CUSHION COVER INT INC 26 x 22	
2	E302018	ENVELOPE J2 PLUS 20 x 18	
2	E302019	ENVELOPE J2 PLUS 20 x 19	
2	E302020	ENVELOPE J2 PLUS 20 x 20	
2	E302021	ENVELOPE J2 PLUS 20 x 21	
2	E302022	ENVELOPE J2 PLUS 20 x 22	
2	E302118	ENVELOPE J2 PLUS 21 x 18	
2	E302119	ENVELOPE J2 PLUS 21 x 19	
2	E302120	ENVELOPE J2 PLUS 21 x 20	
2	E302121	ENVELOPE J2 PLUS 21 x 21	
2	E302122	ENVELOPE J2 PLUS 21 x 22	
2	E302218	ENVELOPE J2 PLUS 22 x 18	
2	E302219	ENVELOPE J2 PLUS 22 x 19	
2	E302220	ENVELOPE J2 PLUS 22 x 20	
2	E302221	ENVELOPE J2 PLUS 22 x 21	
2	E302222	ENVELOPE J2 PLUS 22 x 22	
2	E302318	ENVELOPE J2 PLUS 23 x 18	
2	E302319	ENVELOPE J2 PLUS 23 x 19	
2	E302320	ENVELOPE J2 PLUS 23 x 20	
2	E302321	ENVELOPE J2 PLUS 23 x 21	
2	E302322	ENVELOPE J2 PLUS 23 x 22	
2	E302418	ENVELOPE J2 PLUS 24 x 18	
2	E302419	ENVELOPE J2 PLUS 24 x 19	
2	E302420	ENVELOPE J2 PLUS 24 x 20	
2	E302421	ENVELOPE J2 PLUS 24 x 21	
2	E302422	ENVELOPE J2 PLUS 24 x 22	

Pos.	Item Number	Description	Remarks
2	E302518	ENVELOPE J2 PLUS 25 x 18	
2	E302519	ENVELOPE J2 PLUS 25 x 19	
2	E302520	ENVELOPE J2 PLUS 25 x 20	
2	E302521	ENVELOPE J2 PLUS 25 x 21	
2	E302522	ENVELOPE J2 PLUS 25 x 22	
2	E302618	ENVELOPE J2 PLUS 26 x 18	
2	E302619	ENVELOPE J2 PLUS 26 x 19	
2	E302620	ENVELOPE J2 PLUS 26 x 20	
2	E302621	ENVELOPE J2 PLUS 26 x 21	
2	E302622	ENVELOPE J2 PLUS 26 x 22	
3	B302018	BASE FOAM J2 PLUS 20 x 18	
3	B302019	BASE FOAM J2 PLUS 20 x 19	
3	B302020	BASE FOAM J2 PLUS 20 x 20	
3	B302021	BASE FOAM J2 PLUS 20 x 21	
3	B302022	BASE FOAM J2 PLUS 20 x 22	
3	B302118	BASE FOAM J2 PLUS 21 x 18	
3	B302119	BASE FOAM J2 PLUS 21 x 19	
3	B302120	BASE FOAM J2 PLUS 21 x 20	
3	B302121	BASE FOAM J2 PLUS 21 x 21	
3	B302122	BASE FOAM J2 PLUS 21 x 22	
3	B302218	BASE FOAM J2 PLUS 22 x 18	
3	B302219	BASE FOAM J2 PLUS 22 x 19	
3	B302220	BASE FOAM J2 PLUS 22 x 20	
3	B302221	BASE FOAM J2 PLUS 22 x 21	
3	B302222	BASE FOAM J2 PLUS 22 x 22	
3	B302318	BASE FOAM J2 PLUS 23 x 18	
3	B302319	BASE FOAM J2 PLUS 23 x 19	
3	B302320	BASE FOAM J2 PLUS 23 x 20	
3	B302321	BASE FOAM J2 PLUS 23 x 21	
3	B302322	BASE FOAM J2 PLUS 23 x 22	
3	B302418	BASE FOAM J2 PLUS 24 x 18	
3	B302419	BASE FOAM J2 PLUS 24 x 19	
3	B302420	BASE FOAM J2 PLUS 24 x 20	
3	B302421	BASE FOAM J2 PLUS 24 x 21	
3	B302422	BASE FOAM J2 PLUS 24 x 22	
3	B302518	BASE FOAM J2 PLUS 25 x 18	
3	B302519	BASE FOAM J2 PLUS 25 x 19	
3	B302520	BASE FOAM J2 PLUS 25 x 20	
3	B302521	BASE FOAM J2 PLUS 25 x 21	
3	B302522	BASE FOAM J2 PLUS 25 x 22	
3	B302618	BASE FOAM J2 PLUS 26 x 18	
3	B302619	BASE FOAM J2 PLUS 26 x 19	
3	B302620	BASE FOAM J2 PLUS 26 x 20	
3	B302621	BASE FOAM J2 PLUS 26 x 21	
3	B302622	BASE FOAM J2 PLUS 26 x 22	
4	F300018	FLUID PAD INSERT J2 PLUS 18"	
4	F300020	FLUID PAD INSERT J2 PLUS 20"	
4	F300022	FLUID PAD INSERT J2 PLUS 22"	
5	300018-MJ	WELL FOAM KIT J2 PLUS 18"	
5	300020-MJ	WELL FOAM KIT J2 PLUS 20"	
5	300022-MJ	WELL FOAM KIT J2 PLUS 22"	
5A	300118-MJ	WELL FOAM KIT J2 PLUS 18" C-KIT	
5A	300120-MJ	WELL FOAM KIT J2 PLUS 20" C-KIT	
5A	300122-MJ	WELL FOAM KIT J2 PLUS 22" C-KIT	
6	S302018	SOLID SEAT J2 PLUS 20 x 18	1/2" THICK
6	S302019	SOLID SEAT J2 PLUS 20 x 19	1/2" THICK
6	S302020	SOLID SEAT J2 PLUS 20 x 20	1/2" THICK

Pos.	Item Number	Description	Remarks
6	S302021	SOLID SEAT J2 PLUS 20 x 21	1/2" THICK
6	S302022	SOLID SEAT J2 PLUS 20 x 22	1/2" THICK
6	S302118	SOLID SEAT J2 PLUS 21 x 18	1/2" THICK
6	S302119	SOLID SEAT J2 PLUS 21 x 19	1/2" THICK
6	S302120	SOLID SEAT J2 PLUS 21 x 20	1/2" THICK
6	S302121	SOLID SEAT J2 PLUS 21 x 21	1/2" THICK
6	S302122	SOLID SEAT J2 PLUS 21 x 22	1/2" THICK
6	S302218	SOLID SEAT J2 PLUS 22 x 18	1/2" THICK
6	S302219	SOLID SEAT J2 PLUS 22 x 19	1/2" THICK
6	S302220	SOLID SEAT J2 PLUS 22 x 20	1/2" THICK
6	S302221	SOLID SEAT J2 PLUS 22 x 21	1/2" THICK
6	S302222	SOLID SEAT J2 PLUS 22 x 22	1/2" THICK
6	S302318	SOLID SEAT J2 PLUS 23 x 18	1/2" THICK
6	S302319	SOLID SEAT J2 PLUS 23 x 19	1/2" THICK
6	S302320	SOLID SEAT J2 PLUS 23 x 20	1/2" THICK
6	S302321	SOLID SEAT J2 PLUS 23 x 21	1/2" THICK
6	S302322	SOLID SEAT J2 PLUS 23 x 22	1/2" THICK
6	S302418	SOLID SEAT J2 PLUS 24 x 18	1/2" THICK
6	S302419	SOLID SEAT J2 PLUS 24 x 19	1/2" THICK
6	S302420	SOLID SEAT J2 PLUS 24 x 20	1/2" THICK
6	S302421	SOLID SEAT J2 PLUS 24 x 21	1/2" THICK
6	S302422	SOLID SEAT J2 PLUS 24 x 22	1/2" THICK
6	S302518	SOLID SEAT J2 PLUS 25 x 18	1/2" THICK
6	S302519	SOLID SEAT J2 PLUS 25 x 19	1/2" THICK
6	S302520	SOLID SEAT J2 PLUS 25 x 20	1/2" THICK
6	S302521	SOLID SEAT J2 PLUS 25 x 21	1/2" THICK
6	S302522	SOLID SEAT J2 PLUS 25 x 22	1/2" THICK
6	S302618	SOLID SEAT J2 PLUS 26 x 18	1/2" THICK
6	S302619	SOLID SEAT J2 PLUS 26 x 19	1/2" THICK
6	S302620	SOLID SEAT J2 PLUS 26 x 20	1/2" THICK
6	S302621	SOLID SEAT J2 PLUS 26 x 21	1/2" THICK
6	S302622	SOLID SEAT J2 PLUS 26 x 22	1/2" THICK

NOTE: 1 WHEN REDUCING THE P.L.A. SIZE, A NEW P.L.A. INSERT MUST BE ORDERED SEPARATELY IN THE MATCHING P.L.A. SIZE.

NOTE: 2. 12 THRU 15 WIDTH CUSHIONS ARE STANDARD WITH SIZE "A" P.L.A. RELIEF AND CAN NOT BE REDUCED.

NOTE: 3. 16 THRU 19 WIDTH CUSHIONS ARE STANDARD WITH SIZE "B" P.L.A. RELIEF AND CAN BE REDUCED TO SIZE "A" ONLY.

NOTE: 4. 20 THRU 24 WIDTH CUSHIONS ARE STANDARD WITH SIZE "C" P.L.A. RELIEF AND CAN BE REDUCED TO SIZE "B" OR SIZE "A".

NOTE: 5. WHEN CHANGING THE P.L.A. SIZE FROM "A" TO "C" OR FROM "C" TO "A" A NEW COVER MUST BE ORDERED SEPERATELY.

NOTE: 6. WHEN CHANGING THE P.L.A. SIZE FROM "A" TO "B", FROM "B" TO "A", FROM "B" TO "C", OR FROM "C" TO "B" A NEW COVER IS NOT REQUIRED.

NOTE: 7. SIZE "A" FIELD VARIABLE P.L.A. INSERT COMES WITH QTY (2) MEDIUM SUPPLEMENT FLUID PADS.

NOTE: 8. SIZE "B" FIELD VARIABLE P.L.A. INSERT COMES WITH QTY (2) LARGE SUPPLEMENT FLUID PADS.

NOTE: 9. SIZE "C" FIELD VARIABLE P.L.A. INSERT COMES WITH QTY (2) XLARGE SUPPLEMENT FLUID PADS.

NOTE: 10. 12 THRU 15 WIDTH REPLACEMENT BASE'S WILL ALWAYS SHIP AS SIZE "A" P.L.A. RELIEF.

NOTE: 11. 16 THRU 19 WIDTH REPLACEMENT BASE'S WILL SHIP STANDARD WITH SIZE "B" P.L.A. RELIEF AND WILL INCLUDE THE SIZE "A" P.L.A. REDUCER RING IF SIZE "A" IS ORDERED.

NOTE: 12. 20 THRU 24 WIDTH REPLACEMENT BASE'S WILL SHIP STANDARD WITH SIZE "C" P.L.A. RELIEF AND WILL INCLUDE THE SIZE "B" OR "A" P.L.A. REDUCER RING IF SIZE "B" OR "A" IS ORDERED.



Pos.	Item Number	Description	Remarks
1A	CJ3C	J3 CUSHION COVER	You will be prompted for Height, Width, Depth, P.L.A. Size & Cover Type
1B	MCJ3C	MODIFIED J3 CUSHION COVER	Order Modified Cushion Cover's Thru Customer Service ONLY.
2A	BJ3C	J3 CUSHION BASE	SEE NOTES 10-12 ABOVE - You will be prompted for Height, Width, Depth, & P.L.A. Size
2B	MBJ3C	MODIFIED J3 CUSHION BASE	Order Modified Cushion Base's Thru Customer Service ONLY.
3	J3CARSCA	STD P.L.A REDUCER C-A	SEE NOTES 1-6,10-12 ABOVE
3	J3CARSCB	STD P.L.A REDUCER C-B	SEE NOTES 1-6,10-12 ABOVE
3	J3CARSBA	STD P.L.A REDUCER B-A	SEE NOTES 1-6,10-12 ABOVE
3	J3CARDCA	DEEP P.L.A REDUCER C-A	SEE NOTES 1-6,10-12 ABOVE
3	J3CARDCB	DEEP P.L.A REDUCER C-B	SEE NOTES 1-6,10-12 ABOVE
3	J3CARDBA	DEEP P.L.A REDUCER B-A	SEE NOTES 1-6,10-12 ABOVE

Pos.	Item Number	Description	Remarks
4A	FJ3C	J3 P.L.A. INSERT BLADDER	SEE NOTES 7-9 ABOVE - You will be prompted for Height, P.L.A. size, and P.L.A. Fill Type.
4B	AJ3C	J3 AIR P.L.A. INSERT	You will be prompted for height,PLA size and single or dual valve
5	J3CAFSM	FIELD ADJ SUPPL SM	SMALL SUPPLEMENT FLUID PAD
5	J3CAFMD	FIELD ADJ SUPPL MED	MEDIUM SUPPLEMENT FLUID PAD
5	J3CAFLG	FIELD ADJ SUPPL LG	LARGE SUPPLEMENT FLUID PAD
5	J3CAFXL	FIELD ADJ SUPPL XL	X-LARGE SUPPLEMENT FLUID PAD
6	J3CAR1212	J3 SEAT RIGIDIZER 12X12	12" WIDTH X 12" DEPTH
6	J3CAR1214	J3 SEAT RIGIDIZER 12X14	12" WIDTH X 14" DEPTH
6	J3CAR1412	J3 SEAT RIGIDIZER 14X12	14" WIDTH X 12" DEPTH
6	J3CAR1414	J3 SEAT RIGIDIZER 14X14	14" WIDTH X 14" DEPTH
6	J3CAR1416	J3 SEAT RIGIDIZER 14X16	14" WIDTH X 16" DEPTH
6	J3CAR1418	J3 SEAT RIGIDIZER 14X18	14" WIDTH X 18" DEPTH
6	J3CAR1515	J3 SEAT RIGIDIZER 15X15	15" WIDTH X 15" DEPTH
6	J3CAR1516	J3 SEAT RIGIDIZER 15X16	15" WIDTH X 16" DEPTH
6	J3CAR1517	J3 SEAT RIGIDIZER 15X17	15" WIDTH X 17" DEPTH
6	J3CAR1615	J3 SEAT RIGIDIZER 16X15	16" WIDTH X 15" DEPTH
6	J3CAR1616	J3 SEAT RIGIDIZER 16X16	16" WIDTH X 16" DEPTH
6	J3CAR1617	J3 SEAT RIGIDIZER 16X17	16" WIDTH X 17" DEPTH
6	J3CAR1618	J3 SEAT RIGIDIZER 16X18	16" WIDTH X 18" DEPTH
6	J3CAR1620	J3 SEAT RIGIDIZER 16X20	16" WIDTH X 20" DEPTH
6	J3CAR1715	J3 SEAT RIGIDIZER 17X15	17" WIDTH X 15" DEPTH
6	J3CAR1716	J3 SEAT RIGIDIZER 17X16	17" WIDTH X 16" DEPTH
6	J3CAR1717	J3 SEAT RIGIDIZER 17X17	17" WIDTH X 17" DEPTH
6	J3CAR1718	J3 SEAT RIGIDIZER 17X18	17" WIDTH X 18" DEPTH
6	J3CAR1816	J3 SEAT RIGIDIZER 18X16	18" WIDTH X 16" DEPTH
6	J3CAR1817	J3 SEAT RIGIDIZER 18X17	18" WIDTH X 17" DEPTH
6	J3CAR1818	J3 SEAT RIGIDIZER 18X18	18" WIDTH X 18" DEPTH
6	J3CAR1820	J3 SEAT RIGIDIZER 18X20	18" WIDTH X 20" DEPTH
6	J3CAR1916	J3 SEAT RIGIDIZER 19X16	19" WIDTH X 16" DEPTH
6	J3CAR1917	J3 SEAT RIGIDIZER 19X17	19" WIDTH X 17" DEPTH
6	J3CAR1918	J3 SEAT RIGIDIZER 19X18	19" WIDTH X 18" DEPTH
6	J3CAR1920	J3 SEAT RIGIDIZER 19X20	19" WIDTH X 20" DEPTH
6	J3CAR2016	J3 SEAT RIGIDIZER 20X16	20" WIDTH X 16" DEPTH
6	J3CAR2018	J3 SEAT RIGIDIZER 20X18	20" WIDTH X 18" DEPTH
6	J3CAR2020	J3 SEAT RIGIDIZER 20X20	20" WIDTH X 20" DEPTH
6	J3CAR2118	J3 SEAT RIGIDIZER 21X18	21" WIDTH X 18" DEPTH
6	J3CAR2119	J3 SEAT RIGIDIZER 21X19	21" WIDTH X 19" DEPTH
6	J3CAR2120	J3 SEAT RIGIDIZER 21X20	21" WIDTH X 20" DEPTH
6	J3CAR2121	J3 SEAT RIGIDIZER 21X21	21" WIDTH X 21" DEPTH
6	J3CAR2122	J3 SEAT RIGIDIZER 21X22	21" WIDTH X 22" DEPTH
6	J3CAR2218	J3 SEAT RIGIDIZER 22X18	22" WIDTH X 18" DEPTH
6	J3CAR2219	J3 SEAT RIGIDIZER 22X19	22" WIDTH X 19" DEPTH
6	J3CAR2220	J3 SEAT RIGIDIZER 22X20	22" WIDTH X 20" DEPTH
6	J3CAR2221	J3 SEAT RIGIDIZER 22X21	22" WIDTH X 21" DEPTH
6	J3CAR2222	J3 SEAT RIGIDIZER 22X22	22" WIDTH X 22" DEPTH
6	J3CAR2318	J3 SEAT RIGIDIZER 23X18	23" WIDTH X 18" DEPTH
6	J3CAR2319	J3 SEAT RIGIDIZER 23X19	23" WIDTH X 19" DEPTH
6	J3CAR2320	J3 SEAT RIGIDIZER 23X20	23" WIDTH X 20" DEPTH
6	J3CAR2321	J3 SEAT RIGIDIZER 23X21	23" WIDTH X 21" DEPTH
6	J3CAR2322	J3 SEAT RIGIDIZER 23X22	23" WIDTH X 22" DEPTH
6	J3CAR2418	J3 SEAT RIGIDIZER 24X18	24" WIDTH X 18" DEPTH
6	J3CAR2419	J3 SEAT RIGIDIZER 24X19	24" WIDTH X 19" DEPTH
6	J3CAR2420	J3 SEAT RIGIDIZER 24X20	24" WIDTH X 20" DEPTH
6	J3CAR2421	J3 SEAT RIGIDIZER 24X21	24" WIDTH X 21" DEPTH
6	J3CAR2422	J3 SEAT RIGIDIZER 24X22	24" WIDTH X 22" DEPTH

Pos.	Item Number	Description	Remarks
6	J3CAR2424	J3 SEAT RIGIDIZER 24X24	24" WIDTH X 24" DEPTH
7	PATCHKIT	JAY AIR PATCH KIT	
8	AIRPUMP	JAY AIR PUMP	



Pos.	Item Number	Description	Remarks
1A	CJ3CP	J3 CUSHION COVER	You will be prompted for Height, Width, Depth, P.L.A. Size & Cover Type
1B	MCJ3CP	MODIFIED J3 CUSHION COVER	Order Modified Cushion Cover's Thru Customer Service ONLY.
2A	BJ3CP	J3 CUSHION BASE	SEE NOTES 10-12 ABOVE - You will be prompted for Height, Width, Depth, & P.L.A. Size
2B	MBJ3CP	MODIFIED J3 CUSHION BASE	Order Modified Cushion Base's Thru Customer Service ONLY.
3	J3CARSCA	STD P.L.A REDUCER C-A	SEE NOTES 1-6,10-12 ABOVE
3	J3CARSCB	STD P.L.A REDUCER C-B	SEE NOTES 1-6,10-12 ABOVE
3	J3CARSBA	STD P.L.A REDUCER B-A	SEE NOTES 1-6,10-12 ABOVE
3	J3CARDCA	DEEP P.L.A REDUCER C-A	SEE NOTES 1-6,10-12 ABOVE
3	J3CARDCB	DEEP P.L.A REDUCER C-B	SEE NOTES 1-6,10-12 ABOVE

Pos.	Item Number	Description	Remarks
3	J3CARDBA	DEEP P.L.A REDUCER B-A	SEE NOTES 1-6,10-12 ABOVE
4A	FJ3C	J3 P.L.A. INSERT BLADDER	SEE NOTES 7-9 ABOVE - You will be prompted for Height, P.L.A. size, and P.L.A. Fill Type.
4B	AJ3C	J3 AIR P.L.A. INSERT	You will be prompted for height,PLA size and single or dual valve
5	J3CAFSM	FIELD ADJ SUPPL SM	SMALL SUPPLEMENT FLUID PAD
5	J3CAFMD	FIELD ADJ SUPPL MED	MEDIUM SUPPLEMENT FLUID PAD
5	J3CAFLG	FIELD ADJ SUPPL LG	LARGE SUPPLEMENT FLUID PAD
5	J3CAFXL	FIELD ADJ SUPPL XL	X-LARGE SUPPLEMENT FLUID PAD
6	J3CAR1212	J3 SEAT RIGIDIZER 12X12	12" WIDTH X 12" DEPTH
6	J3CAR1214	J3 SEAT RIGIDIZER 12X14	12" WIDTH X 14" DEPTH
6	J3CAR1412	J3 SEAT RIGIDIZER 14X12	14" WIDTH X 12" DEPTH
6	J3CAR1414	J3 SEAT RIGIDIZER 14X14	14" WIDTH X 14" DEPTH
6	J3CAR1416	J3 SEAT RIGIDIZER 14X16	14" WIDTH X 16" DEPTH
6	J3CAR1418	J3 SEAT RIGIDIZER 14X18	14" WIDTH X 18" DEPTH
6	J3CAR1515	J3 SEAT RIGIDIZER 15X15	15" WIDTH X 15" DEPTH
6	J3CAR1516	J3 SEAT RIGIDIZER 15X16	15" WIDTH X 16" DEPTH
6	J3CAR1517	J3 SEAT RIGIDIZER 15X17	15" WIDTH X 17" DEPTH
6	J3CAR1615	J3 SEAT RIGIDIZER 16X15	16" WIDTH X 15" DEPTH
6	J3CAR1616	J3 SEAT RIGIDIZER 16X16	16" WIDTH X 16" DEPTH
6	J3CAR1617	J3 SEAT RIGIDIZER 16X17	16" WIDTH X 17" DEPTH
6	J3CAR1618	J3 SEAT RIGIDIZER 16X18	16" WIDTH X 18" DEPTH
6	J3CAR1620	J3 SEAT RIGIDIZER 16X20	16" WIDTH X 20" DEPTH
6	J3CAR1715	J3 SEAT RIGIDIZER 17X15	17" WIDTH X 15" DEPTH
6	J3CAR1716	J3 SEAT RIGIDIZER 17X16	17" WIDTH X 16" DEPTH
6	J3CAR1717	J3 SEAT RIGIDIZER 17X17	17" WIDTH X 17" DEPTH
6	J3CAR1718	J3 SEAT RIGIDIZER 17X18	17" WIDTH X 18" DEPTH
6	J3CAR1816	J3 SEAT RIGIDIZER 18X16	18" WIDTH X 16" DEPTH
6	J3CAR1817	J3 SEAT RIGIDIZER 18X17	18" WIDTH X 17" DEPTH
6	J3CAR1818	J3 SEAT RIGIDIZER 18X18	18" WIDTH X 18" DEPTH
6	J3CAR1820	J3 SEAT RIGIDIZER 18X20	18" WIDTH X 20" DEPTH
6	J3CAR1916	J3 SEAT RIGIDIZER 19X16	19" WIDTH X 16" DEPTH
6	J3CAR1917	J3 SEAT RIGIDIZER 19X17	19" WIDTH X 17" DEPTH
6	J3CAR1918	J3 SEAT RIGIDIZER 19X18	19" WIDTH X 18" DEPTH
6	J3CAR1920	J3 SEAT RIGIDIZER 19X20	19" WIDTH X 20" DEPTH
6	J3CAR2016	J3 SEAT RIGIDIZER 20X16	20" WIDTH X 16" DEPTH
6	J3CAR2018	J3 SEAT RIGIDIZER 20X18	20" WIDTH X 18" DEPTH
6	J3CAR2020	J3 SEAT RIGIDIZER 20X20	20" WIDTH X 20" DEPTH
6	J3CAR2118	J3 SEAT RIGIDIZER 21X18	21" WIDTH X 18" DEPTH
6	J3CAR2119	J3 SEAT RIGIDIZER 21X19	21" WIDTH X 19" DEPTH
6	J3CAR2120	J3 SEAT RIGIDIZER 21X20	21" WIDTH X 20" DEPTH
6	J3CAR2121	J3 SEAT RIGIDIZER 21X21	21" WIDTH X 21" DEPTH
6	J3CAR2122	J3 SEAT RIGIDIZER 21X22	21" WIDTH X 22" DEPTH
6	J3CAR2218	J3 SEAT RIGIDIZER 22X18	22" WIDTH X 18" DEPTH
6	J3CAR2219	J3 SEAT RIGIDIZER 22X19	22" WIDTH X 19" DEPTH
6	J3CAR2220	J3 SEAT RIGIDIZER 22X20	22" WIDTH X 20" DEPTH
6	J3CAR2221	J3 SEAT RIGIDIZER 22X21	22" WIDTH X 21" DEPTH
6	J3CAR2222	J3 SEAT RIGIDIZER 22X22	22" WIDTH X 22" DEPTH
6	J3CAR2318	J3 SEAT RIGIDIZER 23X18	23" WIDTH X 18" DEPTH
6	J3CAR2319	J3 SEAT RIGIDIZER 23X19	23" WIDTH X 19" DEPTH
6	J3CAR2320	J3 SEAT RIGIDIZER 23X20	23" WIDTH X 20" DEPTH
6	J3CAR2321	J3 SEAT RIGIDIZER 23X21	23" WIDTH X 21" DEPTH
6	J3CAR2322	J3 SEAT RIGIDIZER 23X22	23" WIDTH X 22" DEPTH
6	J3CAR2418	J3 SEAT RIGIDIZER 24X18	24" WIDTH X 18" DEPTH
6	J3CAR2419	J3 SEAT RIGIDIZER 24X19	24" WIDTH X 19" DEPTH

Pos.	Item Number	Description	Remarks
6	J3CAR2420	J3 SEAT RIGIDIZER 24X20	24" WIDTH X 20" DEPTH
6	J3CAR2421	J3 SEAT RIGIDIZER 24X21	24" WIDTH X 21" DEPTH
6	J3CAR2422	J3 SEAT RIGIDIZER 24X22	24" WIDTH X 22" DEPTH
6	J3CAR2424	J3 SEAT RIGIDIZER 24X24	24" WIDTH X 24" DEPTH
7	J3CAPS2	LATPEL 2"H (SMALL)	Pair- Used on 12 deep to 18 deep
7	J3CAPM2	LATPEL 2"H (MEDIUM)	Pair - Used on 19 deep to 24 deep
8	J3CAMS2	MEDTHI 2"H (CUSHIONS12W-14W)	Used on 12 deep to 16 deep
8	J3CAMP2	MEDTHI 2"H (CUSHIONS16W-19W)	Used on 17 deep to 19 deep
8	J3CAML2	MEDTHI 2"H (CUSHIONS20W-24W)	Used on 20 deep to 24 deep
9	J3CALS2	LATTHI 2"H (CUSHIONS12W-14W)	Pair- Used on 12 deep to 16 deep
9	J3CALM2	LATTHI 2"H (CUSHIONS16W-19W)	Pair - Used on 17 deep to 19 deep
9	J3CALL2	LATTHI 2"H (CUSHIONS20W-24W)	Pair - Used on 20 deep to 24 deep
10	PATCHKIT	JAY AIR PATCH KIT	
11	AIRPUMP	JAY AIR PUMP	

NOTE: 1 WHEN REDUCING THE P.L.A. SIZE, A NEW P.L.A. INSERT MUST BE ORDERED SEPARATELY IN THE MATCHING P.L.A. SIZE.

NOTE: 2. 12 THRU 15 WIDTH CUSHIONS ARE STANDARD WITH SIZE "A" P.L.A. RELIEF AND CAN NOT BE REDUCED.

NOTE: 3. 16 THRU 19 WIDTH CUSHIONS ARE STANDARD WITH SIZE "B" P.L.A. RELIEF AND CAN BE REDUCED TO SIZE "A" ONLY.

NOTE: 4. 20 THRU 24 WIDTH CUSHIONS ARE STANDARD WITH SIZE "C" P.L.A. RELIEF AND CAN BE REDUCED TO SIZE "B" OR SIZE "A".

NOTE: 5. WHEN CHANGING THE P.L.A. SIZE FROM "A" TO "C" OR FROM "C" TO "A" A NEW COVER MUST BE ORDERED SEPERATELY.

NOTE: 6. WHEN CHANGING THE P.L.A. SIZE FROM "A" TO "B", FROM "B" TO "A", FROM "B" TO "C", OR FROM "C" TO "B" A NEW COVER IS NOT REQUIRED.

NOTE: 7. SIZE "A" FIELD VARIABLE P.L.A. INSERT COMES WITH QTY (2) MEDIUM SUPPLEMENT FLUID PADS.

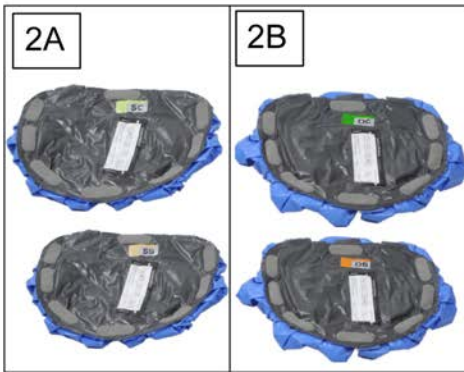
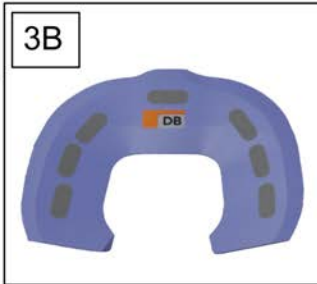
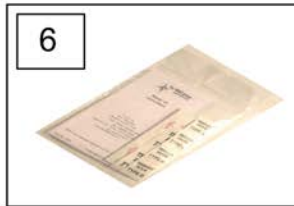
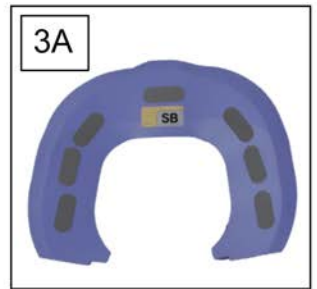
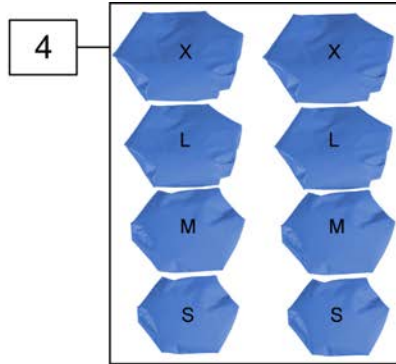
NOTE: 8. SIZE "B" FIELD VARIABLE P.L.A. INSERT COMES WITH QTY (2) LARGE SUPPLEMENT FLUID PADS.

NOTE: 9. SIZE "C" FIELD VARIABLE P.L.A. INSERT COMES WITH QTY (2) XLARGE SUPPLEMENT FLUID PADS.

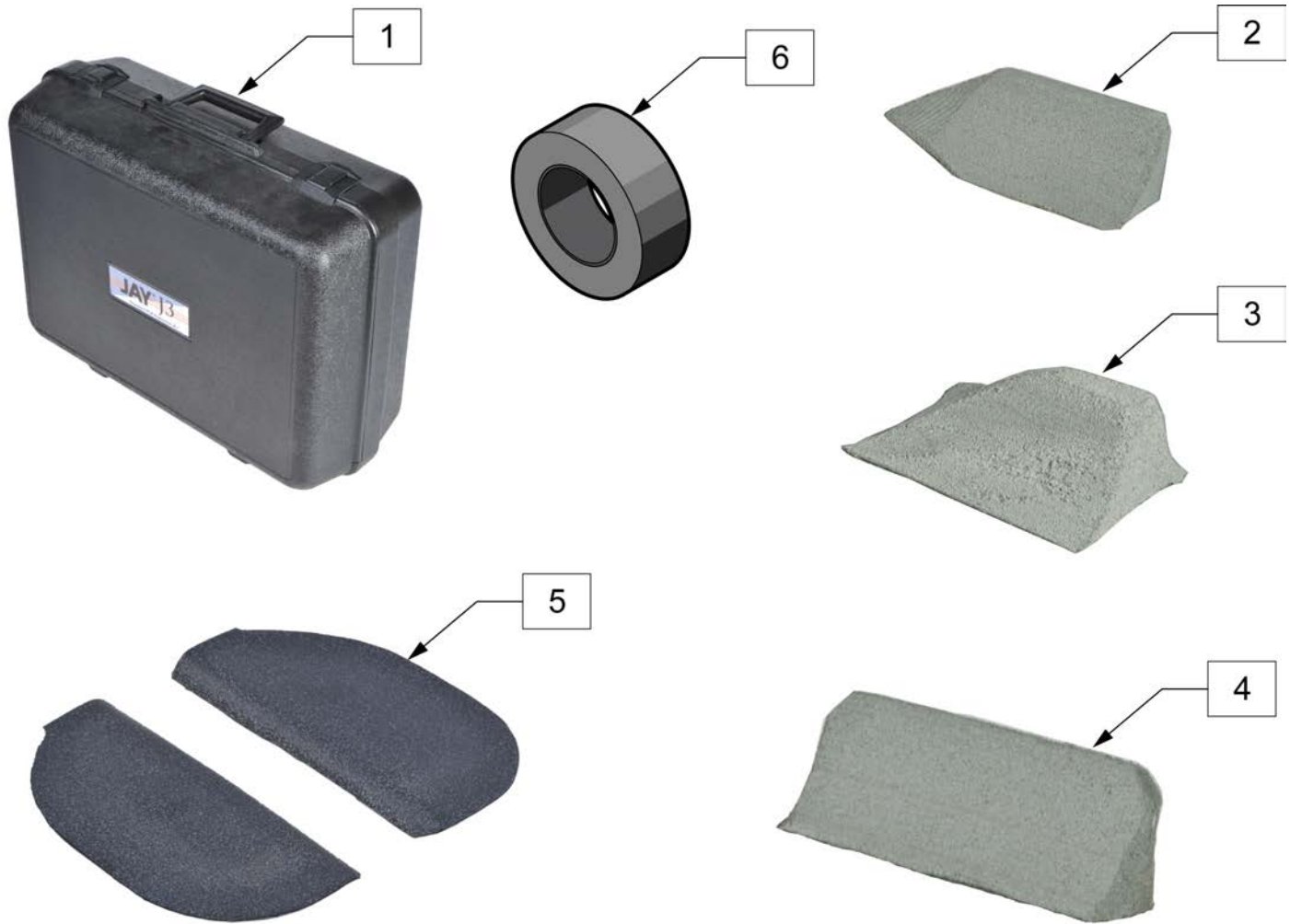
NOTE: 10. 12 THRU 15 WIDTH REPLACEMENT BASE'S WILL ALWAYS SHIP AS SIZE "A" P.L.A. RELIEF.

NOTE: 11. 16 THRU 19 WIDTH REPLACEMENT BASE'S WILL SHIP STANDARD WITH SIZE "B" P.L.A. RELIEF AND WILL INCLUDE THE SIZE "A" P.L.A. REDUCER RING IF SIZE "A" IS ORDERED.

NOTE: 12. 20 THRU 24 WIDTH REPLACEMENT BASE'S WILL SHIP STANDARD WITH SIZE "C" P.L.A. RELIEF AND WILL INCLUDE THE SIZE "B" OR "A" P.L.A. REDUCER RING IF SIZE "B" OR "A" IS ORDERED.



Pos.	Item Number	Description
1,2A,3A,4-7	J3CEKS	J3 CUSH STD PLA EVAL KIT
1,2B,3B,4-7	J3CEKD	J3 CUSH DP PLA EVAL KIT



Pos.	Item Number	Description	Remarks
2	J3CALM1	LATERAL THIGH 1" HEIGHT MEDIUM	8.25" LONG
2	J3CALL1	LATERAL THIGH 1" HEIGHT LARGE	11" LONG
2	J3CALS2	LATERAL THIGH 2" HEIGHT SMALL	5.5" LONG
2	J3CALM2	LATERAL THIGH 2" HEIGHT MEDIUM	8.25" LONG
2	J3CALL2	LATERAL THIGH 2" HEIGHT LARGE	11" LONG
3	J3CAMP1	MED THIGH 1" HEIGHT MEDIUM	6" LONG
3	J3CAML1	MED THIGH 1" HEIGHT LARGE	8.5" LONG
3	J3CAMS2	MED THIGH 2" HEIGHT SMALL	3.5" LONG
3	J3CAMP2	MED THIGH 2" HEIGHT MEDIUM	6" LONG
3	J3CAML2	MED THIGH 2" HEIGHT LARGE	8.5" LONG
4	J3CAPS2	LAT PEL 2" HEIGHT SMALL	4.75" LONG
4	J3CAPM2	LAT PEL 2" HEIGHT MEDIUM	6.25" LONG
5	J3CSAOR	OBLIQUITY PAD STD A RIGHT	
5	J3CSAOL	OBLIQUITY PAD STD A LEFT	
5	J3CSBOR	OBLIQUITY PAD STD B RIGHT	
5	J3CSBOL	OBLIQUITY PAD STD B LEFT	
5	J3CSCOR	OBLIQUITY PAD STD C RIGHT	
5	J3CSCOL	OBLIQUITY PAD STD C LEFT	
5	J3CDAOR	OBLIQUITY PAD DP A RIGHT	
5	J3CDAOL	OBLIQUITY PAD DP A LEFT	
5	J3CDBOR	OBLIQUITY PAD DP B RIGHT	

Pos.	Item Number	Description	Remarks
5	J3CDBOL	OBLIQUITY PAD DP B LEFT	
5	J3CDCOR	OBLIQUITY PAD DP C RIGHT	
5	J3CDCOL	OBLIQUITY PAD DP C LEFT	
6	J3CPRT	REPLACEMENT TAPE 30' ROLL	
1-6	J3CPEK	J3 CUSHION POSITIONING EVAL KIT	



Pos.	Item Number	Description	Remarks
>>>>		CUSHION COVERS	
N/A	109422-xxx	J3 CUSHION COVER	PLEASE SELL "CJ3C" OR "CJ3CP"
N/A	109423-xxx	J3 CUSHION COVER	PLEASE SELL "CJ3C" OR "CJ3CP"
N/A	109424-xxx	J3 CUSHION COVER	PLEASE SELL "CJ3C" OR "CJ3CP"
N/A	109425-xxx	J3 CUSHION COVER	PLEASE SELL "CJ3C" OR "CJ3CP"

Pos.	Item Number	Description	Remarks
N/A	109426-xxx	J3 CUSHION COVER	PLEASE SELL "CJ3C" OR "CJ3CP"
N/A	109427-xxx	J3 CUSHION COVER	PLEASE SELL "CJ3C" OR "CJ3CP"
>>>>		FLUID P.L.A. INSERT	
N/A	J3CSAFF	J3 P.L.A. INSERT FLUID BLADDER	PLEASE SELL "FJ3C"
N/A	J3CSBFF	J3 P.L.A. INSERT FLUID BLADDER	PLEASE SELL "FJ3C"
N/A	J3CSCFF	J3 P.L.A. INSERT FLUID BLADDER	PLEASE SELL "FJ3C"
N/A	J3CSAFV	J3 P.L.A. INSERT FLUID BLADDER	PLEASE SELL "FJ3C"
N/A	J3CSBFV	J3 P.L.A. INSERT FLUID BLADDER	PLEASE SELL "FJ3C"
N/A	J3CSCFV	J3 P.L.A. INSERT FLUID BLADDER	PLEASE SELL "FJ3C"
N/A	J3CDAFF	J3 P.L.A. INSERT FLUID BLADDER	PLEASE SELL "FJ3C"
N/A	J3CDBFF	J3 P.L.A. INSERT FLUID BLADDER	PLEASE SELL "FJ3C"
N/A	J3CDCFF	J3 P.L.A. INSERT FLUID BLADDER	PLEASE SELL "FJ3C"
N/A	J3CDAFV	J3 P.L.A. INSERT FLUID BLADDER	PLEASE SELL "FJ3C"
N/A	J3CDBFV	J3 P.L.A. INSERT FLUID BLADDER	PLEASE SELL "FJ3C"
>>>>		AIR P.L.A. INSERT	
N/A	J3CDCFV	J3 P.L.A. INSERT AIR BLADDER	PLEASE SELL "FJ3C"
N/A	J3CSAAS	J3 P.L.A. INSERT AIR BLADDER	PLEASE SELL "AJ3C"
N/A	J3CSBAS	J3 P.L.A. INSERT AIR BLADDER	PLEASE SELL "AJ3C"
N/A	J3CSCAS	J3 P.L.A. INSERT AIR BLADDER	PLEASE SELL "AJ3C"
N/A	J3CSAAD	J3 P.L.A. INSERT AIR BLADDER	PLEASE SELL "AJ3C"
N/A	J3CSBAD	J3 P.L.A. INSERT AIR BLADDER	PLEASE SELL "AJ3C"
N/A	J3CSCAD	J3 P.L.A. INSERT AIR BLADDER	PLEASE SELL "AJ3C"
N/A	J3CDAAS	J3 P.L.A. INSERT AIR BLADDER	PLEASE SELL "AJ3C"
N/A	J3CDBAS	J3 P.L.A. INSERT AIR BLADDER	PLEASE SELL "AJ3C"

Pos.	Item Number	Description	Remarks
N/A	J3CDCAS	J3 P.L.A. INSERT AIR BLADDER	PLEASE SELL "AJ3C"
N/A	J3CDAAD	J3 P.L.A. INSERT AIR BLADDER	PLEASE SELL "AJ3C"
N/A	J3CDBAD	J3 P.L.A. INSERT AIR BLADDER	PLEASE SELL "AJ3C"
N/A	J3CDCAD	J3 P.L.A. INSERT AIR BLADDER	PLEASE SELL "AJ3C"
>>>>		SUPPLEMENTAL FLUID PADS	
N/A	090509	SUPPLEMENTAL FLUID PAD SMALL	PLEASE SELL "J3CAFSM"
N/A	012010	SUPPLEMENTAL FLUID PAD MEDIUM	PLEASE SELL "J3CAFMD"
N/A	010510	SUPPLEMENTAL FLUID PAD LARGE	PLEASE SELL "J3CAFLG"
N/A	091409	SUPPLEMENTAL FLUID PAD X-LARGE	PLEASE SELL "J3CAFXL"
>>>>		LATERAL THIGH SUPPORTS (PAIR)	
N/A	108821-001	LATERAL THIGH SUPPORTS 1" HIGH (CUSHIONS12W-14W) LEFT	PLEASE SELL "J3CAL1" (INCLUDES LEFT & RIGHT)
N/A	108822-001	LATERAL THIGH SUPPORTS 1" HIGH (CUSHIONS12W-14W) RIGHT	PLEASE SELL "J3CAL1" (INCLUDES LEFT & RIGHT)
N/A	108821-002	LATERAL THIGH SUPPORTS 1" HIGH (CUSHIONS16W-19W) LEFT	PLEASE SELL "J3CALM1" (INCLUDES LEFT & RIGHT)
N/A	108822-002	LATERAL THIGH SUPPORTS 1" HIGH (CUSHIONS16W-19W) RIGHT	PLEASE SELL "J3CALM1" (INCLUDES LEFT & RIGHT)
N/A	108821-003	LATERAL THIGH SUPPORTS 1" HIGH (CUSHIONS20W-24W) LEFT	PLEASE SELL "J3CALL1" (INCLUDES LEFT & RIGHT)
N/A	108822-003	LATERAL THIGH SUPPORTS 1" HIGH (CUSHIONS20W-24W) RIGHT	PLEASE SELL "J3CALL1" (INCLUDES LEFT & RIGHT)
N/A	108823-001	LATERAL THIGH SUPPORTS 2" HIGH (CUSHIONS12W-14W) LEFT	PLEASE SELL "J3CAL2" (INCLUDES LEFT & RIGHT)
N/A	108824-001	LATERAL THIGH SUPPORTS 2" HIGH (CUSHIONS12W-14W) RIGHT	PLEASE SELL "J3CAL2" (INCLUDES LEFT & RIGHT)

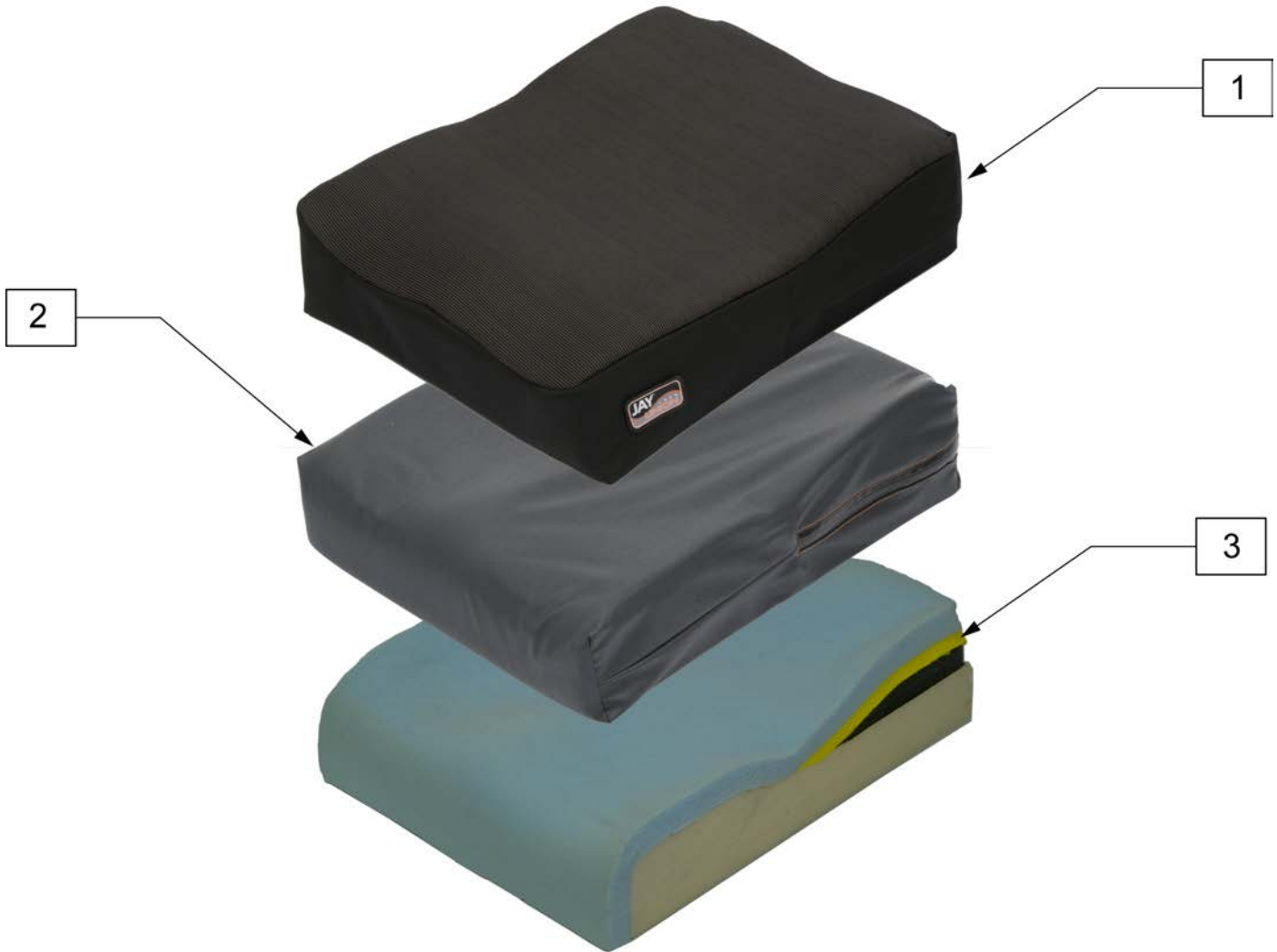
Pos.	Item Number	Description	Remarks
N/A	108823-002	LATERAL THIGH SUPPORTS 2" HIGH (CUSHIONS16W-19W) LEFT	PLEASE SELL "J3CALM2" (INCLUDES LEFT & RIGHT)
N/A	108824-002	LATERAL THIGH SUPPORTS 2" HIGH (CUSHIONS16W-19W) RIGHT	PLEASE SELL "J3CALM2" (INCLUDES LEFT & RIGHT)
N/A	108823-003	LATERAL THIGH SUPPORTS 2" HIGH (CUSHIONS20W-24W) LEFT	PLEASE SELL "J3CALL2" (INCLUDES LEFT & RIGHT)
N/A	108824-003	LATERAL THIGH SUPPORTS 2" HIGH (CUSHIONS20W-24W) RIGHT	PLEASE SELL "J3CALL2" (INCLUDES LEFT & RIGHT)
>>>>		MEDIAL THIGH SUPPORTS (EACH)	
N/A	108825-001	MEDIAL THIGH SUPPORT 1" HIGH (CUSHIONS 12W-14W)	PLEASE SELL "J3CAMS1" (EACH)
N/A	108825-002	MEDIAL THIGH SUPPORT 1" HIGH (CUSHIONS 16W-19W)	PLEASE SELL "J3CMM1" (EACH)
N/A	108825-003	MEDIAL THIGH SUPPORT 1" HIGH (CUSHIONS 20W-24W)	PLEASE SELL "J3CAML1" (EACH)
N/A	108826-001	MEDIAL THIGH SUPPORT 2" HIGH (CUSHIONS 12W-14W)	PLEASE SELL "J3CAMS2" (EACH)
N/A	108826-002	MEDIAL THIGH SUPPORT 2" HIGH (CUSHIONS 16W-19W)	PLEASE SELL "J3CMM2" (EACH)
N/A	108826-003	MEDIAL THIGH SUPPORT 2" HIGH (CUSHIONS 20W-24W)	PLEASE SELL "J3CAML2" (EACH)
>>>>		LATERAL PELVIC SUPPORTS (PAIR)	
N/A	108227-001	LATERAL PELVIC SUPPORTS 2" HIGH (CUSHIONS 12W-14W)	PLEASE SELL "J3CAPS2" (INCLUDES LEFT & RIGHT)
N/A	108827-002	LATERAL PELVIC SUPPORTS 2" HIGH (CUSHIONS 16W-19W)	PLEASE SELL "J3CAPM2" (INCLUDES LEFT & RIGHT)
>>>>		P.L.A. REDUCER	
N/A	109368	STANDARD P.L.A REDUCER - SIZE B TO A	PLEASE SELL "J3CARsBA"
N/A	109440	STANDARD P.L.A REDUCER - SIZE C TO A	PLEASE SELL "J3CARsCA"
N/A	109369	STANDARD P.L.A REDUCER - SIZE C TO B	PLEASE SELL "J3CARsCB"
N/A	109370	DEEP P.L.A REDUCER - SIZE B TO A	PLEASE SELL "J3CARDBA"

Pos.	Item Number	Description	Remarks
N/A	109441	DEEP P.L.A REDUCER - SIZE C TO A	PLEASE SELL "J3CARDCA"
N/A	109371	DEEP P.L.A REDUCER - SIZE C TO B	PLEASE SELL "J3CARDCB"
>>>>		OBLIQUITY PADS	
N/A	108830-001	OBLIQUITY PAD STANDARD A RIGHT	PLEASE SELL "J3CSAOR"
N/A	108831-001	OBLIQUITY PAD STANDARD A LEFT	PLEASE SELL "J3CSAOL"
N/A	108830-002	OBLIQUITY PAD STANDARD B RIGHT	PLEASE SELL "J3CSBOR"
N/A	108831-002	OBLIQUITY PAD STANDARD B LEFT	PLEASE SELL "J3CSBOL"
N/A	108830-003	OBLIQUITY PAD STANDARD C RIGHT	PLEASE SELL "J3CSCOR"
N/A	108831-003	OBLIQUITY PAD STANDARD C LEFT	PLEASE SELL "J3CSCOL"
N/A	108846-001	OBLIQUITY PAD DEEP A RIGHT	PLEASE SELL "J3CDAOR"
N/A	108845-001	OBLIQUITY PAD DEEP A LEFT	PLEASE SELL "J3CDAOL"
N/A	108846-002	OBLIQUITY PAD DEEP B RIGHT	PLEASE SELL "J3CDBOR"
N/A	108845-002	OBLIQUITY PAD DEEP B LEFT	PLEASE SELL "J3CDBOL"
N/A	108846-003	OBLIQUITY PAD DEEP C RIGHT	PLEASE SELL "J3CDCOR"
N/A	108845-003	OBLIQUITY PAD DEEP C LEFT	PLEASE SELL "J3CDCOL"

Item 2A standard cushion base shown.

Pos.	Item Number	Description	Pos.	Item Number	Description
1A	CJL1414	COVER JAY LITE 1414IN 3535CM	1B	CJL1817P	COVER, POS, JAY LITE 1817IN 4543CM
1A	CJL1416	COVER JAY LITE 1416IN 3535CM	1B	CJL1818P	COVER, POS, JAY LITE 1818IN 4545CM
1A	CJL1418	COVER JAY LITE 1418IN 3535CM	1B	CJL1820P	COVER, POS, JAY LITE 1820IN 4550CM
1A	CJL1515	COVER JAY LITE 1515IN	1B	CJL1916P	COVER, POS, JAY LITE 1916IN 4840CM
1A	CJL1516	COVER JAY LITE 1516IN 3840CM	1B	CJL1917P	COVER, POS, JAY LITE 1917IN 4843CM
1A	CJL1517	COVER JAY LITE 1517IN 3844CM	1B	CJL1918P	COVER, POS, JAY LITE 1918IN 4845CM
1A	CJL1518	COVER JAY LITE 1518IN	1B	CJL1920P	COVER, POS, JAY LITE 1920IN 4850CM
1A	CJL1615	COVER JAY LITE 1615IN 4038CM	1B	CJL2016P	COVER, POS, JAY LITE 2016IN 5040CM
1A	CJL1616	COVER JAY LITE 1616IN 4040CM	1B	CJL2018P	COVER, POS, JAY LITE 2018IN 5045CM
1A	CJL1617	COVER JAY LITE 1617IN 4043CM	1B	CJL2020P	COVER, POS, JAY LITE 2020IN 5050CM
1A	CJL1618	COVER JAY LITE 1618IN 4045CM	1B	CJL2218P	COVER, POS, JAY LITE 2218IN 5545CM
1A	CJL1620	COVER JAY LITE 1620IN 4050CM	1B	CJL2220P	COVER, POS, JAY LITE 2220IN 5550CM
1A	CJL1715	COVER JAY LITE 1715IN 4338CM	1B	CJL2222P	COVER, POS, JAY LITE 2222IN 5555CM
1A	CJL1716	COVER JAY LITE 1716IN 4340	1B	CJL2418P	COVER, POS, JAY LITE 2418IN 6045CM
1A	CJL1717	COVER JAY LITE 1717IN 4343CM	1B	CJL2420P	COVER, POS, JAY LITE 2420IN 6050CM
1A	CJL1718	COVER JAY LITE 1718IN 4345CM	1B	CJL2422P	COVER, POS, JAY LITE 2422IN 6055CM
1A	CJL1816	COVER JAY LITE 1816IN 4540CM	1B	CJL2424P	COVER, POS, JAY LITE 2424IN 6060CM
1A	CJL1817	COVER JAY LITE 1817IN 4543CM	2A	BJL1414	BASE JAY LITE 1414IN 3535CM
1A	CJL1818	COVER JAY LITE 1818IN 4545CM	2A	BJL1416	BASE JAY LITE 1416IN 3535CM
1A	CJL1820	COVER JAY LITE 1820IN 4550CM	2A	BJL1418	BASE JAY LITE 1418IN 3535CM
1A	CJL1916	COVER JAY LITE 1916IN 4840CM	2A	BJL1515	BASE JAY LITE 1515IN
1A	CJL1917	COVER JAY LITE 1917IN 4843CM	2A	BJL1516	BASE JAY LITE 1516IN 3840CM
1A	CJL1918	COVER JAY LITE 1918IN 4845CM	2A	BJL1517	BASE JAY LITE 1517IN 3844CM
1A	CJL1920	COVER JAY LITE 1920IN 4850CM	2A	BJL1518	BASE JAY LITE 1518IN
1A	CJL2016	COVER JAY LITE 2016IN 5040CM	2A	BJL1615	BASE JAY LITE 1615IN 4038CM
1A	CJL2018	COVER JAY LITE 2018IN 5045CM	2A	BJL1616	BASE JAY LITE 1616IN 4040CM
1A	CJL2020	COVER JAY LITE 2020IN 5050CM	2A	BJL1617	BASE JAY LITE 1617IN 4043CM
1A	CJL2218	COVER JAY LITE 2218IN 5545CM	2A	BJL1618	BASE JAY LITE 1618IN 4045CM
1A	CJL2220	COVER JAY LITE 2220IN 5550CM	2A	BJL1620	BASE JAY LITE 1620IN 4050CM
1A	CJL2222	COVER JAY LITE 2222IN 5555CM	2A	BJL1715	BASE JAY LITE 1715IN 4338CM
1A	CJL2418	COVER JAY LITE 2418IN 6045CM	2A	BJL1716	BASE JAY LITE 1716IN 4340
1A	CJL2420	COVER JAY LITE 2420IN 6050CM	2A	BJL1717	BASE JAY LITE 1717IN 4343CM
1A	CJL2422	COVER JAY LITE 2422IN 6055CM	2A	BJL1718	BASE JAY LITE 1718IN 4345CM
1A	CJL2424	COVER JAY LITE 2424IN 6060CM	2A	BJL1816	BASE JAY LITE 1816IN 4540CM
1B	CJL1414P	COVER, POS, JAY LITE 1414IN 3535CM	2A	BJL1817	BASE JAY LITE 1817IN 4543CM
1B	CJL1416P	COVER, POS, JAY LITE 1416IN 3535CM	2A	BJL1818	BASE JAY LITE 1818IN 4545CM
1B	CJL1418P	COVER, POS, JAY LITE 1418IN 3535CM	2A	BJL1820	BASE JAY LITE 1820IN 4550CM
1B	CJL1515P	COVER, POS, JAY LITE 1515IN	2A	BJL1916	BASE JAY LITE 1916IN 4840CM
1B	CJL1516P	COVER, POS, JAY LITE 1516IN 3840CM	2A	BJL1917	BASE JAY LITE 1917IN 4843CM
1B	CJL1517P	COVER, POS, JAY LITE 1517IN 3844CM	2A	BJL1918	BASE JAY LITE 1918IN 4845CM
1B	CJL1518P	COVER, POS, JAY LITE 1518IN	2A	BJL1920	BASE JAY LITE 1920IN 4850CM
1B	CJL1615P	COVER, POS, JAY LITE 1615IN 4038CM	2A	BJL2016	BASE JAY LITE 2016IN 5040CM
1B	CJL1616P	COVER, POS, JAY LITE 1616IN 4040CM	2A	BJL2018	BASE JAY LITE 2018IN 5045CM
1B	CJL1617P	COVER, POS, JAY LITE 1617IN 4043CM	2A	BJL2020	BASE JAY LITE 2020IN 5050CM
1B	CJL1618P	COVER, POS, JAY LITE 1618IN 4045CM	2A	BJL2218	BASE JAY LITE 2218IN 5545CM
1B	CJL1620P	COVER, POS, JAY LITE 1620IN 4050CM	2A	BJL2220	BASE JAY LITE 2220IN 5550CM
1B	CJL1715P	COVER, POS, JAY LITE 1715IN 4338CM	2A	BJL2222	BASE JAY LITE 2222IN 5555CM
1B	CJL1716P	COVER, POS, JAY LITE 1716IN 4340	2A	BJL2418	BASE JAY LITE 2418IN 6045CM
1B	CJL1717P	COVER, POS, JAY LITE 1717IN 4343CM	2A	BJL2420	BASE JAY LITE 2420IN 6050CM
1B	CJL1718P	COVER, POS, JAY LITE 1718IN 4345CM	2A	BJL2422	BASE JAY LITE 2422IN 6055CM
1B	CJL1816P	COVER, POS, JAY LITE 1816IN 4540CM	2A	BJL2424	BASE JAY LITE 2424IN 6060CM

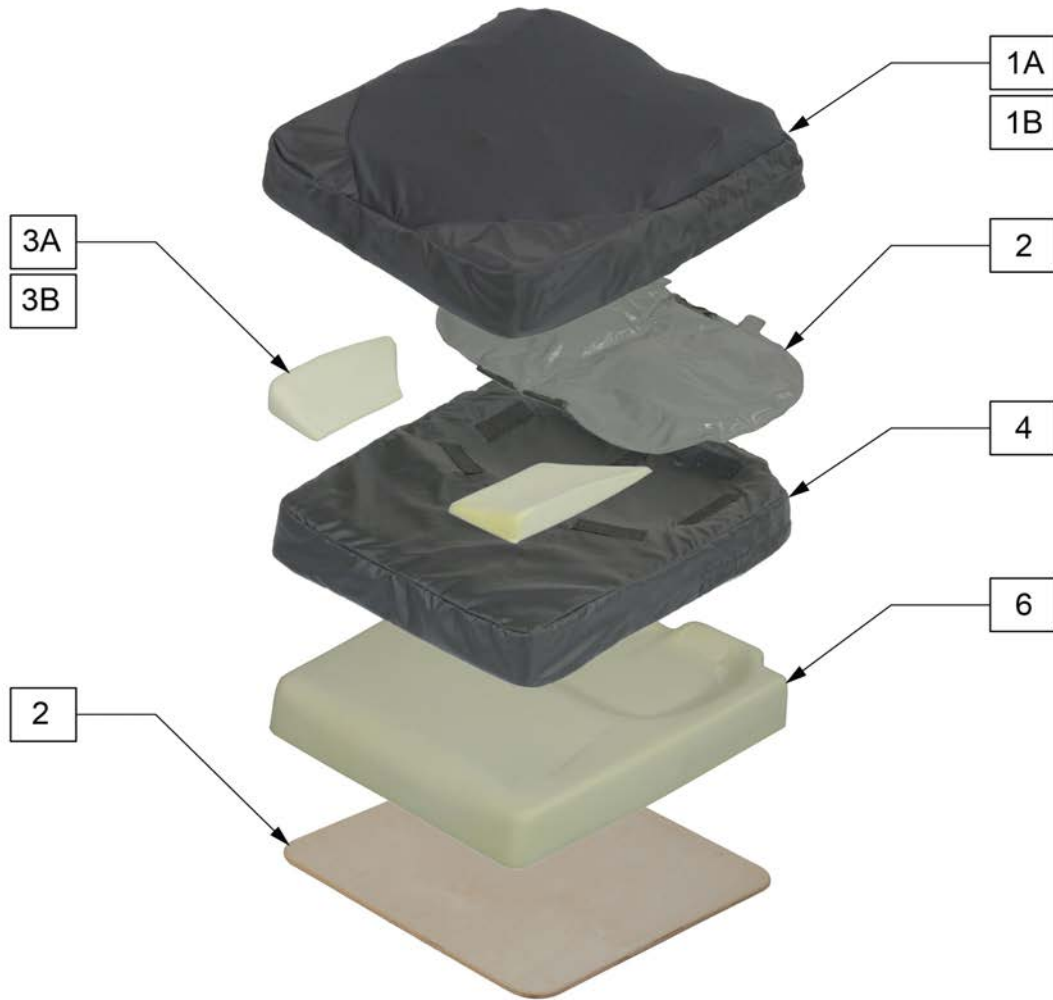
Pos.	Item Number	Description	Pos.	Item Number	Description
2B	BJL1414P	BASE, POS, JAY LITE 1414IN 3535CM	2B	BJL1817P	BASE, POS, JAY LITE 1817IN 4543CM
2B	BJL1416P	BASE, POS, JAY LITE 1416IN 3535CM	2B	BJL1818P	BASE, POS, JAY LITE 1818IN 4545CM
2B	BJL1418P	BASE, POS, JAY LITE 1418IN 3535CM	2B	BJL1820P	BASE, POS, JAY LITE 1820IN 4550CM
2B	BJL1515P	BASE, POS, JAY LITE 1515IN	2B	BJL1916P	BASE, POS, JAY LITE 1916IN 4840CM
2B	BJL1516P	BASE, POS, JAY LITE 1516IN 3840CM	2B	BJL1917P	BASE, POS, JAY LITE 1917IN 4843CM
2B	BJL1517P	BASE, POS, JAY LITE 1517IN 3844CM	2B	BJL1918P	BASE, POS, JAY LITE 1918IN 4845CM
2B	BJL1518P	BASE, POS, JAY LITE 1518IN	2B	BJL1920P	BASE, POS, JAY LITE 1920IN 4850CM
2B	BJL1615P	BASE, POS, JAY LITE 1615IN 4038CM	2B	BJL2016P	BASE, POS, JAY LITE 2016IN 5040CM
2B	BJL1616P	BASE, POS, JAY LITE 1616IN 4040CM	2B	BJL2018P	BASE, POS, JAY LITE 2018IN 5045CM
2B	BJL1617P	BASE, POS, JAY LITE 1617IN 4043CM	2B	BJL2020P	BASE, POS, JAY LITE 2020IN 5050CM
2B	BJL1618P	BASE, POS, JAY LITE 1618IN 4045CM	2B	BJL2218P	BASE, POS, JAY LITE 2218IN 5545CM
2B	BJL1620P	BASE, POS, JAY LITE 1620IN 4050CM	2B	BJL2220P	BASE, POS, JAY LITE 2220IN 5550CM
2B	BJL1715P	BASE, POS, JAY LITE 1715IN 4338CM	2B	BJL2222P	BASE, POS, JAY LITE 2222IN 5555CM
2B	BJL1716P	BASE, POS, JAY LITE 1716IN 4340	2B	BJL2418P	BASE, POS, JAY LITE 2418IN 6045CM
2B	BJL1717P	BASE, POS, JAY LITE 1717IN 4343CM	2B	BJL2420P	BASE, POS, JAY LITE 2420IN 6050CM
2B	BJL1718P	BASE, POS, JAY LITE 1718IN 4345CM	2B	BJL2422P	BASE, POS, JAY LITE 2422IN 6055CM
2B	BJL1816P	BASE, POS, JAY LITE 1816IN 4540CM	2B	BJL2424P	BASE, POS, JAY LITE 2424IN 6060CM



Pos.	Item Number	Description	Pos.	Item Number	Description
1	CJU1414	OUTER CVR JAY UNION CUSH 14X14	1	CJU1714	OUTER CVR JAY UNION CUSH 17X14
1	CJU1415	OUTER CVR JAY UNION CUSH 14X15	1	CJU1715	OUTER CVR JAY UNION CUSH 17X15
1	CJU1416	OUTER CVR JAY UNION CUSH 14X16	1	CJU1716	OUTER CVR JAY UNION CUSH 17X16
1	CJU1417	OUTER CVR JAY UNION CUSH 14X17	1	CJU1717	OUTER CVR JAY UNION CUSH 17X17
1	CJU1418	OUTER CVR JAY UNION CUSH 14X18	1	CJU1718	OUTER CVR JAY UNION CUSH 17X18
1	CJU1514	OUTER CVR JAY UNION CUSH 15X14	1	CJU1719	OUTER CVR JAY UNION CUSH 17X19
1	CJU1515	OUTER CVR JAY UNION CUSH 15X15	1	CJU1720	OUTER CVR JAY UNION CUSH 17X20
1	CJU1516	OUTER CVR JAY UNION CUSH 15X16	1	CJU1721	OUTER CVR JAY UNION CUSH 17X21
1	CJU1517	OUTER CVR JAY UNION CUSH 15X17	1	CJU1814	OUTER CVR JAY UNION CUSH 18X14
1	CJU1518	OUTER CVR JAY UNION CUSH 15X18	1	CJU1815	OUTER CVR JAY UNION CUSH 18X15
1	CJU1519	OUTER CVR JAY UNION CUSH 15X19	1	CJU1816	OUTER CVR JAY UNION CUSH 18X16
1	CJU1520	OUTER CVR JAY UNION CUSH 15X20	1	CJU1817	OUTER CVR JAY UNION CUSH 18X17
1	CJU1614	OUTER CVR JAY UNION CUSH 16X14	1	CJU1818	OUTER CVR JAY UNION CUSH 18X18
1	CJU1615	OUTER CVR JAY UNION CUSH 16X15	1	CJU1819	OUTER CVR JAY UNION CUSH 18X19
1	CJU1616	OUTER CVR JAY UNION CUSH 16X16	1	CJU1820	OUTER CVR JAY UNION CUSH 18X20
1	CJU1617	OUTER CVR JAY UNION CUSH 16X17	1	CJU1821	OUTER CVR JAY UNION CUSH 18X21
1	CJU1618	OUTER CVR JAY UNION CUSH 16X18	1	CJU1822	OUTER CVR JAY UNION CUSH 18X22
1	CJU1619	OUTER CVR JAY UNION CUSH 16X19	1	CJU1915	OUTER CVR JAY UNION CUSH 19X15
1	CJU1620	OUTER CVR JAY UNION CUSH 16X20	1	CJU1916	OUTER CVR JAY UNION CUSH 19X16

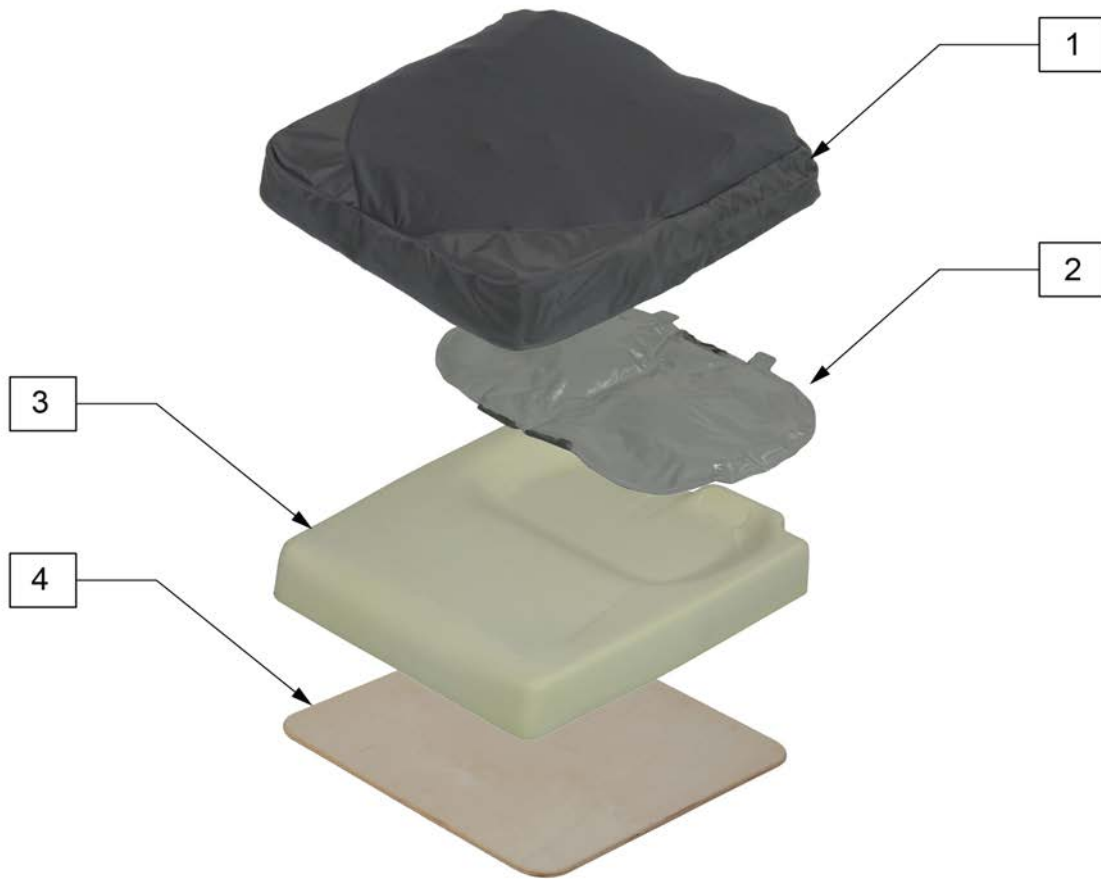
Pos.	Item Number	Description	Pos.	Item Number	Description
1	CJU1917	OUTER CVR JAY UNION CUSH 19X17	2	ICJU1520	INNER CVR JAY UNION CUSH 15X20
1	CJU1918	OUTER CVR JAY UNION CUSH 19X18	2	ICJU1614	INNER CVR JAY UNION CUSH 16X14
1	CJU1919	OUTER CVR JAY UNION CUSH 19X19	2	ICJU1615	INNER CVR JAY UNION CUSH 16X15
1	CJU1920	OUTER CVR JAY UNION CUSH 19X20	2	ICJU1616	INNER CVR JAY UNION CUSH 16X16
1	CJU1921	OUTER CVR JAY UNION CUSH 19X21	2	ICJU1617	INNER CVR JAY UNION CUSH 16X17
1	CJU1922	OUTER CVR JAY UNION CUSH 19X22	2	ICJU1618	INNER CVR JAY UNION CUSH 16X18
1	CJU1923	OUTER CVR JAY UNION CUSH 19X23	2	ICJU1619	INNER CVR JAY UNION CUSH 16X19
1	CJU2015	OUTER CVR JAY UNION CUSH 20X15	2	ICJU1620	INNER CVR JAY UNION CUSH 16X20
1	CJU2016	OUTER CVR JAY UNION CUSH 20X16	2	ICJU1714	INNER CVR JAY UNION CUSH 17X14
1	CJU2017	OUTER CVR JAY UNION CUSH 20X17	2	ICJU1715	INNER CVR JAY UNION CUSH 17X15
1	CJU2018	OUTER CVR JAY UNION CUSH 20X18	2	ICJU1716	INNER CVR JAY UNION CUSH 17X16
1	CJU2019	OUTER CVR JAY UNION CUSH 20X19	2	ICJU1717	INNER CVR JAY UNION CUSH 17X17
1	CJU2020	OUTER CVR JAY UNION CUSH 20X20	2	ICJU1718	INNER CVR JAY UNION CUSH 17X18
1	CJU2021	OUTER CVR JAY UNION CUSH 20X21	2	ICJU1719	INNER CVR JAY UNION CUSH 17X19
1	CJU2022	OUTER CVR JAY UNION CUSH 20X22	2	ICJU1720	INNER CVR JAY UNION CUSH 17X20
1	CJU2023	OUTER CVR JAY UNION CUSH 20X23	2	ICJU1721	INNER CVR JAY UNION CUSH 17X21
1	CJU2024	OUTER CVR JAY UNION CUSH 20X24	2	ICJU1814	INNER CVR JAY UNION CUSH 18X14
1	CJU2117	OUTER CVR JAY UNION CUSH 21X17	2	ICJU1815	INNER CVR JAY UNION CUSH 18X15
1	CJU2118	OUTER CVR JAY UNION CUSH 21X18	2	ICJU1816	INNER CVR JAY UNION CUSH 18X16
1	CJU2119	OUTER CVR JAY UNION CUSH 21X19	2	ICJU1817	INNER CVR JAY UNION CUSH 18X17
1	CJU2120	OUTER CVR JAY UNION CUSH 21X20	2	ICJU1818	INNER CVR JAY UNION CUSH 18X18
1	CJU2121	OUTER CVR JAY UNION CUSH 21X21	2	ICJU1819	INNER CVR JAY UNION CUSH 18X19
1	CJU2122	OUTER CVR JAY UNION CUSH 21X22	2	ICJU1820	INNER CVR JAY UNION CUSH 18X20
1	CJU2123	OUTER CVR JAY UNION CUSH 21X23	2	ICJU1821	INNER CVR JAY UNION CUSH 18X21
1	CJU2124	OUTER CVR JAY UNION CUSH 21X24	2	ICJU1822	INNER CVR JAY UNION CUSH 18X22
1	CJU2217	OUTER CVR JAY UNION CUSH 22X17	2	ICJU1915	INNER CVR JAY UNION CUSH 19X15
1	CJU2218	OUTER CVR JAY UNION CUSH 22X18	2	ICJU1916	INNER CVR JAY UNION CUSH 19X16
1	CJU2219	OUTER CVR JAY UNION CUSH 22X19	2	ICJU1917	INNER CVR JAY UNION CUSH 19X17
1	CJU2220	OUTER CVR JAY UNION CUSH 22X20	2	ICJU1918	INNER CVR JAY UNION CUSH 19X18
1	CJU2221	OUTER CVR JAY UNION CUSH 22X21	2	ICJU1919	INNER CVR JAY UNION CUSH 19X19
1	CJU2222	OUTER CVR JAY UNION CUSH 22X22	2	ICJU1920	INNER CVR JAY UNION CUSH 19X20
1	CJU2223	OUTER CVR JAY UNION CUSH 22X23	2	ICJU1921	INNER CVR JAY UNION CUSH 19X21
1	CJU2224	OUTER CVR JAY UNION CUSH 22X24	2	ICJU1922	INNER CVR JAY UNION CUSH 19X22
1	CJU2319	OUTER CVR JAY UNION CUSH 23X19	2	ICJU1923	INNER CVR JAY UNION CUSH 19X23
1	CJU2320	OUTER CVR JAY UNION CUSH 23X20	2	ICJU2015	INNER CVR JAY UNION CUSH 20X15
1	CJU2321	OUTER CVR JAY UNION CUSH 23X21	2	ICJU2016	INNER CVR JAY UNION CUSH 20X16
1	CJU2322	OUTER CVR JAY UNION CUSH 23X22	2	ICJU2017	INNER CVR JAY UNION CUSH 20X17
1	CJU2323	OUTER CVR JAY UNION CUSH 23X23	2	ICJU2018	INNER CVR JAY UNION CUSH 20X18
1	CJU2324	OUTER CVR JAY UNION CUSH 23X24	2	ICJU2019	INNER CVR JAY UNION CUSH 20X19
1	CJU2418	OUTER CVR JAY UNION CUSH 24X18	2	ICJU2020	INNER CVR JAY UNION CUSH 20X20
1	CJU2419	OUTER CVR JAY UNION CUSH 24X19	2	ICJU2021	INNER CVR JAY UNION CUSH 20X21
1	CJU2420	OUTER CVR JAY UNION CUSH 24X20	2	ICJU2022	INNER CVR JAY UNION CUSH 20X22
1	CJU2421	OUTER CVR JAY UNION CUSH 24X21	2	ICJU2023	INNER CVR JAY UNION CUSH 20X23
1	CJU2422	OUTER CVR JAY UNION CUSH 24X22	2	ICJU2024	INNER CVR JAY UNION CUSH 20X24
1	CJU2423	OUTER CVR JAY UNION CUSH 24X23	2	ICJU2117	INNER CVR JAY UNION CUSH 21X17
1	CJU2424	OUTER CVR JAY UNION CUSH 24X24	2	ICJU2118	INNER CVR JAY UNION CUSH 21X18
2	ICJU1414	INNER CVR JAY UNION CUSH 14X14	2	ICJU2119	INNER CVR JAY UNION CUSH 21X19
2	ICJU1415	INNER CVR JAY UNION CUSH 14X15	2	ICJU2120	INNER CVR JAY UNION CUSH 21X20
2	ICJU1416	INNER CVR JAY UNION CUSH 14X16	2	ICJU2121	INNER CVR JAY UNION CUSH 21X21
2	ICJU1417	INNER CVR JAY UNION CUSH 14X17	2	ICJU2122	INNER CVR JAY UNION CUSH 21X22
2	ICJU1418	INNER CVR JAY UNION CUSH 14X18	2	ICJU2123	INNER CVR JAY UNION CUSH 21X23
2	ICJU1514	INNER CVR JAY UNION CUSH 15X14	2	ICJU2124	INNER CVR JAY UNION CUSH 21X24
2	ICJU1515	INNER CVR JAY UNION CUSH 15X15	2	ICJU2217	INNER CVR JAY UNION CUSH 22X17
2	ICJU1516	INNER CVR JAY UNION CUSH 15X16	2	ICJU2218	INNER CVR JAY UNION CUSH 22X18
2	ICJU1517	INNER CVR JAY UNION CUSH 15X17	2	ICJU2219	INNER CVR JAY UNION CUSH 22X19
2	ICJU1518	INNER CVR JAY UNION CUSH 15X18	2	ICJU2220	INNER CVR JAY UNION CUSH 22X20
2	ICJU1519	INNER CVR JAY UNION CUSH 15X19	2	ICJU2221	INNER CVR JAY UNION CUSH 22X21

Pos.	Item Number	Description	Pos.	Item Number	Description
2	ICJU2222	INNER CVR JAY UNION CUSH 22X22	3	BJU1821	BASE FOAM JAY UNION CUSH 18X21
2	ICJU2223	INNER CVR JAY UNION CUSH 22X23	3	BJU1822	BASE FOAM JAY UNION CUSH 18X22
2	ICJU2224	INNER CVR JAY UNION CUSH 22X24	3	BJU1915	BASE FOAM JAY UNION CUSH 19X15
2	ICJU2319	INNER CVR JAY UNION CUSH 23X19	3	BJU1916	BASE FOAM JAY UNION CUSH 19X16
2	ICJU2320	INNER CVR JAY UNION CUSH 23X20	3	BJU1917	BASE FOAM JAY UNION CUSH 19X17
2	ICJU2321	INNER CVR JAY UNION CUSH 23X21	3	BJU1918	BASE FOAM JAY UNION CUSH 19X18
2	ICJU2322	INNER CVR JAY UNION CUSH 23X22	3	BJU1919	BASE FOAM JAY UNION CUSH 19X19
2	ICJU2323	INNER CVR JAY UNION CUSH 23X23	3	BJU1920	BASE FOAM JAY UNION CUSH 19X20
2	ICJU2324	INNER CVR JAY UNION CUSH 23X24	3	BJU1921	BASE FOAM JAY UNION CUSH 19X21
2	ICJU2418	INNER CVR JAY UNION CUSH 24X18	3	BJU1922	BASE FOAM JAY UNION CUSH 19X22
2	ICJU2419	INNER CVR JAY UNION CUSH 24X19	3	BJU1923	BASE FOAM JAY UNION CUSH 19X23
2	ICJU2420	INNER CVR JAY UNION CUSH 24X20	3	BJU2015	BASE FOAM JAY UNION CUSH 20X15
2	ICJU2421	INNER CVR JAY UNION CUSH 24X21	3	BJU2016	BASE FOAM JAY UNION CUSH 20X16
2	ICJU2422	INNER CVR JAY UNION CUSH 24X22	3	BJU2017	BASE FOAM JAY UNION CUSH 20X17
2	ICJU2423	INNER CVR JAY UNION CUSH 24X23	3	BJU2018	BASE FOAM JAY UNION CUSH 20X18
2	ICJU2424	INNER CVR JAY UNION CUSH 24X24	3	BJU2019	BASE FOAM JAY UNION CUSH 20X19
3	BJU1414	BASE FOAM JAY UNION CUSH 14X14	3	BJU2020	BASE FOAM JAY UNION CUSH 20X20
3	BJU1415	BASE FOAM JAY UNION CUSH 14X15	3	BJU2021	BASE FOAM JAY UNION CUSH 20X21
3	BJU1416	BASE FOAM JAY UNION CUSH 14X16	3	BJU2022	BASE FOAM JAY UNION CUSH 20X22
3	BJU1417	BASE FOAM JAY UNION CUSH 14X17	3	BJU2023	BASE FOAM JAY UNION CUSH 20X23
3	BJU1418	BASE FOAM JAY UNION CUSH 14X18	3	BJU2024	BASE FOAM JAY UNION CUSH 20X24
3	BJU1514	BASE FOAM JAY UNION CUSH 15X14	3	BJU2117	BASE FOAM JAY UNION CUSH 21X17
3	BJU1515	BASE FOAM JAY UNION CUSH 15X15	3	BJU2118	BASE FOAM JAY UNION CUSH 21X18
3	BJU1516	BASE FOAM JAY UNION CUSH 15X16	3	BJU2119	BASE FOAM JAY UNION CUSH 21X19
3	BJU1517	BASE FOAM JAY UNION CUSH 15X17	3	BJU2120	BASE FOAM JAY UNION CUSH 21X20
3	BJU1518	BASE FOAM JAY UNION CUSH 15X18	3	BJU2121	BASE FOAM JAY UNION CUSH 21X21
3	BJU1519	BASE FOAM JAY UNION CUSH 15X19	3	BJU2122	BASE FOAM JAY UNION CUSH 21X22
3	BJU1520	BASE FOAM JAY UNION CUSH 15X20	3	BJU2123	BASE FOAM JAY UNION CUSH 21X23
3	BJU1614	BASE FOAM JAY UNION CUSH 16X14	3	BJU2124	BASE FOAM JAY UNION CUSH 21X24
3	BJU1615	BASE FOAM JAY UNION CUSH 16X15	3	BJU2217	BASE FOAM JAY UNION CUSH 22X17
3	BJU1616	BASE FOAM JAY UNION CUSH 16X16	3	BJU2218	BASE FOAM JAY UNION CUSH 22X18
3	BJU1617	BASE FOAM JAY UNION CUSH 16X17	3	BJU2219	BASE FOAM JAY UNION CUSH 22X19
3	BJU1618	BASE FOAM JAY UNION CUSH 16X18	3	BJU2220	BASE FOAM JAY UNION CUSH 22X20
3	BJU1619	BASE FOAM JAY UNION CUSH 16X19	3	BJU2221	BASE FOAM JAY UNION CUSH 22X21
3	BJU1620	BASE FOAM JAY UNION CUSH 16X20	3	BJU2222	BASE FOAM JAY UNION CUSH 22X22
3	BJU1714	BASE FOAM JAY UNION CUSH 17X14	3	BJU2223	BASE FOAM JAY UNION CUSH 22X23
3	BJU1715	BASE FOAM JAY UNION CUSH 17X15	3	BJU2224	BASE FOAM JAY UNION CUSH 22X24
3	BJU1716	BASE FOAM JAY UNION CUSH 17X16	3	BJU2319	BASE FOAM JAY UNION CUSH 23X19
3	BJU1717	BASE FOAM JAY UNION CUSH 17X17	3	BJU2320	BASE FOAM JAY UNION CUSH 23X20
3	BJU1718	BASE FOAM JAY UNION CUSH 17X18	3	BJU2321	BASE FOAM JAY UNION CUSH 23X21
3	BJU1719	BASE FOAM JAY UNION CUSH 17X19	3	BJU2322	BASE FOAM JAY UNION CUSH 23X22
3	BJU1720	BASE FOAM JAY UNION CUSH 17X20	3	BJU2323	BASE FOAM JAY UNION CUSH 23X23
3	BJU1721	BASE FOAM JAY UNION CUSH 17X21	3	BJU2324	BASE FOAM JAY UNION CUSH 23X24
3	BJU1814	BASE FOAM JAY UNION CUSH 18X14	3	BJU2418	BASE FOAM JAY UNION CUSH 24X18
3	BJU1815	BASE FOAM JAY UNION CUSH 18X15	3	BJU2419	BASE FOAM JAY UNION CUSH 24X19
3	BJU1816	BASE FOAM JAY UNION CUSH 18X16	3	BJU2420	BASE FOAM JAY UNION CUSH 24X20
3	BJU1817	BASE FOAM JAY UNION CUSH 18X17	3	BJU2421	BASE FOAM JAY UNION CUSH 24X21
3	BJU1818	BASE FOAM JAY UNION CUSH 18X18	3	BJU2422	BASE FOAM JAY UNION CUSH 24X22
3	BJU1819	BASE FOAM JAY UNION CUSH 18X19	3	BJU2423	BASE FOAM JAY UNION CUSH 24X23
3	BJU1820	BASE FOAM JAY UNION CUSH 18X20	3	BJU2424	BASE FOAM JAY UNION CUSH 24X24



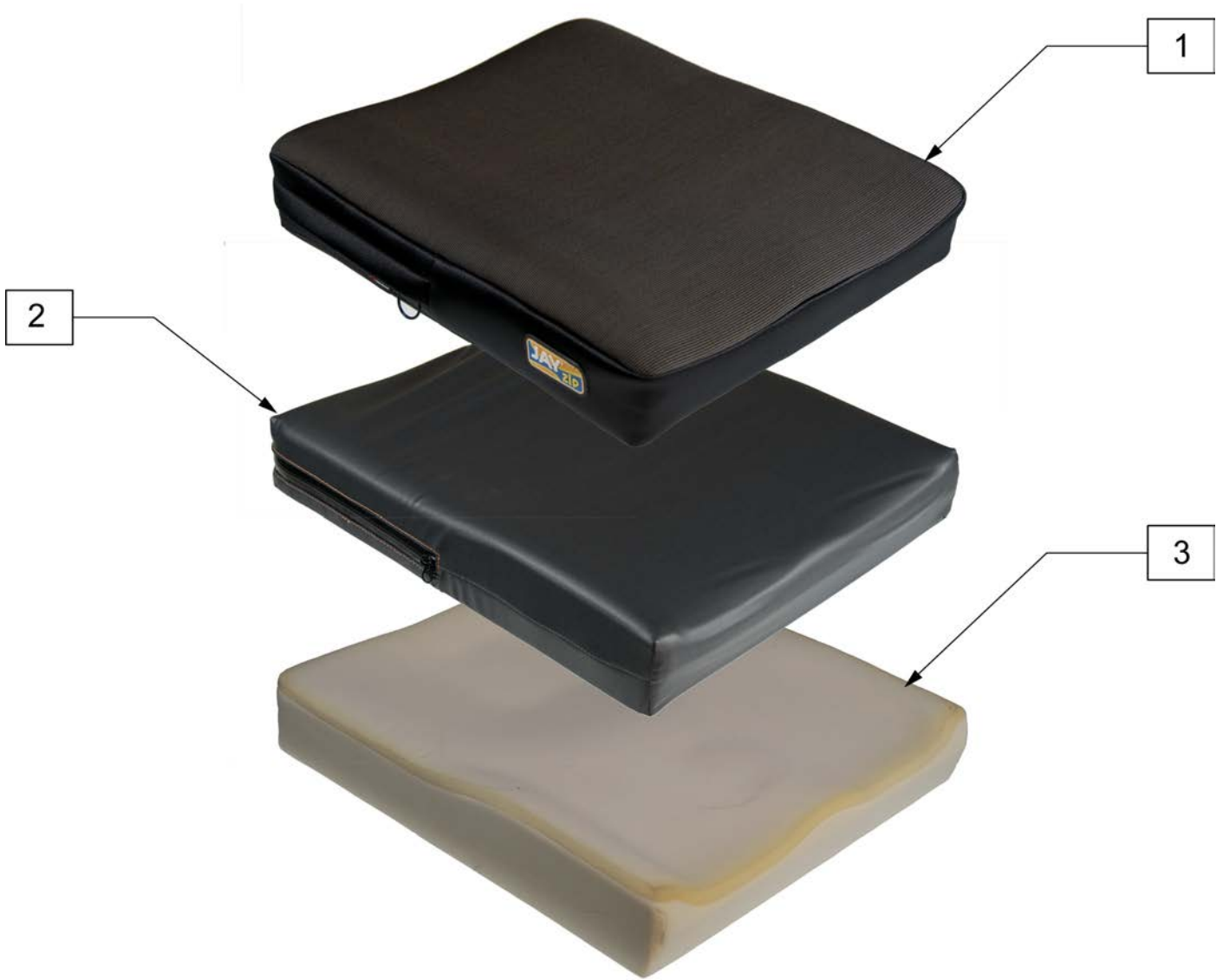
Pos.	Item Number	Description	Remarks	Pos.	Item Number	Description	Remarks
1A	C900T	XTREME COVER TRITEX 20X20		1B	C966LS	XTREME COVER LOW SHEAR 16X16	
1A	C944T	XTREME COVER TRITEX 14X14		1B	C967LS	XTREME COVER LOW SHEAR 16X17	
1A	C946T	XTREME COVER TRITEX 14X16		1B	C968LS	XTREME COVER LOW SHEAR 16X18	
1A	C955T	XTREME COVER TRITEX 15X15		1B	C976LS	XTREME COVER LOW SHEAR 17X16	
1A	C956T	XTREME COVER TRITEX 15X16		1B	C977LS	XTREME COVER LOW SHEAR 17X17	
1A	C960T	XTREME COVER TRITEX 16X20		1B	C980LS	XTREME COVER LOW SHEAR 18X20	
1A	C966T	XTREME COVER TRITEX 16X16		1B	C986LS	XTREME COVER LOW SHEAR 18X16	
1A	C967T	XTREME COVER TRITEX 16X17		1B	C988LS	XTREME COVER LOW SHEAR 18X18	
1A	C968T	XTREME COVER TRITEX 16X18		1C	C900N	XTREME COVER INCONTINENT 20X20	
1A	C976T	XTREME COVER TRITEX 17X16		1C	C944N	XTREME COVER INCONTINENT 14X14	
1A	C977T	XTREME COVER TRITEX 17X17		1C	C946N	XTREME COVER INCONTINENT 14X16	
1A	C980T	XTREME COVER TRITEX 18X20		1C	C955N	XTREME COVER INCONTINENT 15X15	
1A	C986T	XTREME COVER TRITEX 18X16		1C	C956N	XTREME COVER INCONTINENT 15X16	
1A	C988T	XTREME COVER TRITEX 18X18		1C	C960N	XTREME COVER INCONTINENT 16X20	
1B	C900LS	XTREME COVER LOW SHEAR 20X20		1C	C966N	XTREME COVER INCONTINENT 16X16	
1B	C944LS	XTREME COVER LOW SHEAR 14X14		1C	C967N	XTREME COVER INCONTINENT 16X17	
1B	C946LS	XTREME COVER LOW SHEAR 14X16		1C	C968N	XTREME COVER INCONTINENT 16X18	
1B	C955LS	XTREME COVER LOW SHEAR 15X15		1C	C976N	XTREME COVER INCONTINENT 17X16	
1B	C956LS	XTREME COVER LOW SHEAR 15X16		1C	C977N	XTREME COVER INCONTINENT 17X17	
1B	C960LS	XTREME COVER LOW SHEAR 16X20		1C	C980N	XTREME COVER INCONTINENT 18X20	

Pos.	Item Number	Description	Remarks	Pos.	Item Number	Description	Remarks
1C	C986N	XTREME COVER INCONTINENT 18X16		4	CB986	XTREME BASE COVER 18X16	
1C	C988N	XTREME COVER INCONTINENT 18X18		4	CB988	XTREME BASE COVER 18X18	
2	F900	XTREME FLUID PAD 20X20		4,5	B900	XTREME BASE 20X20	
2	F944	XTREME FLUID PAD 14X14		4,5	B944	XTREME BASE 14X14	
2	F946	XTREME FLUID PAD 14X16		4,5	B946	XTREME BASE 14X16	
2	F955	XTREME FLUID PAD 15X15		4,5	B955	XTREME BASE 15X15	
2	F956	XTREME FLUID PAD 15X16		4,5	B956	XTREME BASE 15X16	
2	F960	XTREME FLUID PAD 16X20		4,5	B960	XTREME BASE 16X20	
2	F966	XTREME FLUID PAD 16X16		4,5	B966	XTREME BASE 16X16	
2	F967	XTREME FLUID PAD 16X17		4,5	B967	XTREME BASE 16X17	
2	F968	XTREME FLUID PAD 16X18		4,5	B968	XTREME BASE 16X18	
2	F976	XTREME FLUID PAD 17X16		4,5	B976	XTREME BASE 17X16	
2	F977	XTREME FLUID PAD 17X17		4,5	B977	XTREME BASE 17X17	
2	F980	XTREME FLUID PAD 18X20		4,5	B980	XTREME BASE 18X20	
2	F986	XTREME FLUID PAD 18X16		4,5	B986	XTREME BASE 18X16	
2	F988	XTREME FLUID PAD 18X18		4,5	B988	XTREME BASE 18X18	
3A	B119JA	1" ADDUCTOR WEDGES	PAIR	6	S900	SOLID SEAT XTM 20X20	
3B	B113JA	2" ADDUCTOR WEDGES (PR)	PAIR	6	S944	SOLID SEAT XTM 14X14	
4	CB900	XTREME BASE COVER 20X20		6	S946	SOLID SEAT XTM 14X16	
4	CB944	XTREME BASE COVER 14X14		6	S955	SOLID SEAT XTM 15X15	
4	CB946	XTREME BASE COVER 14X16		6	S956	SOLID SEAT XTM 15X16	
4	CB955	XTREME BASE COVER 15X15		6	S960	SOLID SEAT XTM 16X20	
4	CB956	XTREME BASE COVER 15X16		6	S966	SOLID SEAT XTM 16X16	
4	CB960	XTREME BASE COVER 16X20		6	S967	SOLID SEAT XTM 16X17	
4	CB966	XTREME BASE COVER 16X16		6	S968	SOLID SEAT XTM 16X18	
4	CB967	XTREME BASE COVER 16X17		6	S976	SOLID SEAT XTM 17X16	
4	CB968	XTREME BASE COVER 16X18		6	S977	SOLID SEAT XTM 17X17	
4	CB976	XTREME BASE COVER 17X16		6	S980	SOLID SEAT XTM 18X20	
4	CB977	XTREME BASE COVER 17X17		6	S986	SOLID SEAT XTM 18X16	
4	CB980	XTREME BASE COVER 18X20		6	S988	SOLID SEAT XTM 18X18	



Pos.	Item Number	Description
1	C900S	XTREME SKIN PROTECTION COVER INCONTINENT 20X20
1	C944S	XTREME SKIN PROTECTION COVER INCONTINENT 14X14
1	C946S	XTREME SKIN PROTECTION COVER INCONTINENT 14X16
1	C955S	XTREME SKIN PROTECTION COVER INCONTINENT 15X15
1	C956S	XTREME SKIN PROTECTION COVER INCONTINENT 15X16
1	C960S	XTREME SKIN PROTECTION COVER INCONTINENT 16X20
1	C966S	XTREME SKIN PROTECTION COVER INCONTINENT 16X16
1	C967S	XTREME SKIN PROTECTION COVER INCONTINENT 16X17
1	C968S	XTREME SKIN PROTECTION COVER INCONTINENT 16X18
1	C976S	XTREME SKIN PROTECTION COVER INCONTINENT 17X16
1	C977S	XTREME SKIN PROTECTION COVER INCONTINENT 17X17
1	C980S	XTREME SKIN PROTECTION COVER INCONTINENT 18X20
1	C986S	XTREME SKIN PROTECTION COVER INCONTINENT 18X16
1	C988S	XTREME SKIN PROTECTION COVER INCONTINENT 18X18
		>>>>>>>>
2	F900	XTREME FLUID PAD 20X20
2	F944	XTREME FLUID PAD 14X14
2	F946	XTREME FLUID PAD 14X16
2	F955	XTREME FLUID PAD 15X15
2	F956	XTREME FLUID PAD 15X16
2	F960	XTREME FLUID PAD 16X20
2	F966	XTREME FLUID PAD 16X16
2	F967	XTREME FLUID PAD 16X17
2	F968	XTREME FLUID PAD 16X18

Pos.	Item Number	Description
2	F976	XTREME FLUID PAD 17X16
2	F977	XTREME FLUID PAD 17X17
2	F980	XTREME FLUID PAD 18X20
2	F986	XTREME FLUID PAD 18X16
2	F988	XTREME FLUID PAD 18X18
		>>>>>>>>
3	B900	XTREME BASE 20X20
3	B944	XTREME BASE 14X14
3	B946	XTREME BASE 14X16
3	B955	XTREME BASE 15X15
3	B956	XTREME BASE 15X16
3	B960	XTREME BASE 16X20
3	B966	XTREME BASE 16X16
3	B967	XTREME BASE 16X17
3	B968	XTREME BASE 16X18
3	B976	XTREME BASE 17X16
3	B977	XTREME BASE 17X17
3	B980	XTREME BASE 18X20
3	B986	XTREME BASE 18X16
3	B988	XTREME BASE 18X18
		>>>>>>>>
4	S900	SOLID SEAT XTM 20X20
4	S944	SOLID SEAT XTM 14X14
4	S946	SOLID SEAT XTM 14X16
4	S955	SOLID SEAT XTM 15X15
4	S956	SOLID SEAT XTM 15X16
4	S960	SOLID SEAT XTM 16X20
4	S966	SOLID SEAT XTM 16X16
4	S967	SOLID SEAT XTM 16X17
4	S968	SOLID SEAT XTM 16X18
4	S976	SOLID SEAT XTM 17X16
4	S977	SOLID SEAT XTM 17X17
4	S980	SOLID SEAT XTM 18X20
4	S986	SOLID SEAT XTM 18X16
4	S988	SOLID SEAT XTM 18X18

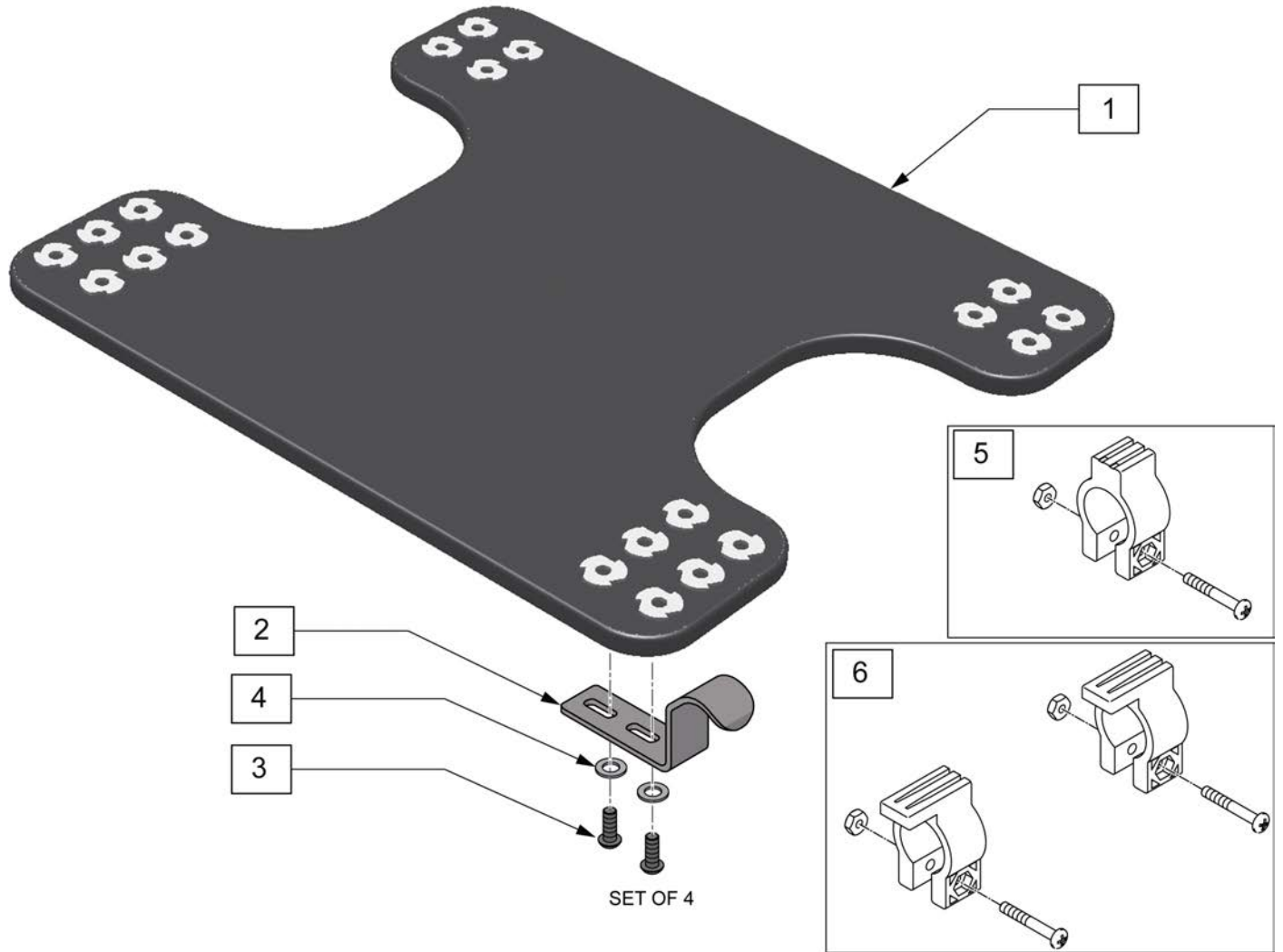


Pos.	Item Number	Description	Pos.	Item Number	Description
		OUTER COVER	1	CJZ1008	JAY ZIP OUTER COVER 10X08
1	CJZ0808	JAY ZIP OUTER COVER 08X08	1	CJZ1009	JAY ZIP OUTER COVER 10X09
1	CJZ0809	JAY ZIP OUTER COVER 08X09	1	CJZ1010	JAY ZIP OUTER COVER 10X10
1	CJZ0810	JAY ZIP OUTER COVER 08X10	1	CJZ1011	JAY ZIP OUTER COVER 10X11
1	CJZ0811	JAY ZIP OUTER COVER 08X11	1	CJZ1012	JAY ZIP OUTER COVER 10X12
1	CJZ0812	JAY ZIP OUTER COVER 08X12	1	CJZ1013	JAY ZIP OUTER COVER 10X13
1	CJZ0813	JAY ZIP OUTER COVER 08X13	1	CJZ1014	JAY ZIP OUTER COVER 10X14
1	CJZ0814	JAY ZIP OUTER COVER 08X14	1	CJZ1015	JAY ZIP OUTER COVER 10X15
1	CJZ0908	JAY ZIP OUTER COVER 09X08	1	CJZ1016	JAY ZIP OUTER COVER 10X16
1	CJZ0909	JAY ZIP OUTER COVER 09X09	1	CJZ1108	JAY ZIP OUTER COVER 11X08
1	CJZ0910	JAY ZIP OUTER COVER 09X10	1	CJZ1109	JAY ZIP OUTER COVER 11X09
1	CJZ0911	JAY ZIP OUTER COVER 09X11	1	CJZ1110	JAY ZIP OUTER COVER 11X10
1	CJZ0912	JAY ZIP OUTER COVER 09X12	1	CJZ1111	JAY ZIP OUTER COVER 11X11
1	CJZ0913	JAY ZIP OUTER COVER 09X13	1	CJZ1112	JAY ZIP OUTER COVER 11X12
1	CJZ0914	JAY ZIP OUTER COVER 09X14	1	CJZ1113	JAY ZIP OUTER COVER 11X13
1	CJZ0915	JAY ZIP OUTER COVER 09X15	1	CJZ1114	JAY ZIP OUTER COVER 11X14

Pos.	Item Number	Description	Pos.	Item Number	Description
1	CJZ1115	JAY ZIP OUTER COVER 11X15	2	ICJZ0914	JAY ZIP INNER COVER 09X14
1	CJZ1116	JAY ZIP OUTER COVER 11X16	2	ICJZ0915	JAY ZIP INNER COVER 09X15
1	CJZ1117	JAY ZIP OUTER COVER 11X17	2	ICJZ1008	JAY ZIP INNER COVER 10X08
1	CJZ1209	JAY ZIP OUTER COVER 12X09	2	ICJZ1009	JAY ZIP INNER COVER 10X09
1	CJZ1210	JAY ZIP OUTER COVER 12X10	2	ICJZ1010	JAY ZIP INNER COVER 10X10
1	CJZ1211	JAY ZIP OUTER COVER 12X11	2	ICJZ1011	JAY ZIP INNER COVER 10X11
1	CJZ1212	JAY ZIP OUTER COVER 12X12	2	ICJZ1012	JAY ZIP INNER COVER 10X12
1	CJZ1213	JAY ZIP OUTER COVER 12X13	2	ICJZ1013	JAY ZIP INNER COVER 10X13
1	CJZ1214	JAY ZIP OUTER COVER 12X14	2	ICJZ1014	JAY ZIP INNER COVER 10X14
1	CJZ1215	JAY ZIP OUTER COVER 12X15	2	ICJZ1015	JAY ZIP INNER COVER 10X15
1	CJZ1216	JAY ZIP OUTER COVER 12X16	2	ICJZ1016	JAY ZIP INNER COVER 10X16
1	CJZ1217	JAY ZIP OUTER COVER 12X17	2	ICJZ1108	JAY ZIP INNER COVER 11X08
1	CJZ1218	JAY ZIP OUTER COVER 12X18	2	ICJZ1109	JAY ZIP INNER COVER 11X09
1	CJZ1310	JAY ZIP OUTER COVER 13X10	2	ICJZ1110	JAY ZIP INNER COVER 11X10
1	CJZ1311	JAY ZIP OUTER COVER 13X11	2	ICJZ1111	JAY ZIP INNER COVER 11X11
1	CJZ1312	JAY ZIP OUTER COVER 13X12	2	ICJZ1112	JAY ZIP INNER COVER 11X12
1	CJZ1313	JAY ZIP OUTER COVER 13X13	2	ICJZ1113	JAY ZIP INNER COVER 11X13
1	CJZ1314	JAY ZIP OUTER COVER 13X14	2	ICJZ1114	JAY ZIP INNER COVER 11X14
1	CJZ1315	JAY ZIP OUTER COVER 13X15	2	ICJZ1115	JAY ZIP INNER COVER 11X15
1	CJZ1316	JAY ZIP OUTER COVER 13X16	2	ICJZ1116	JAY ZIP INNER COVER 11X16
1	CJZ1317	JAY ZIP OUTER COVER 13X17	2	ICJZ1117	JAY ZIP INNER COVER 11X17
1	CJZ1318	JAY ZIP OUTER COVER 13X18	2	ICJZ1209	JAY ZIP INNER COVER 12X09
1	CJZ1411	JAY ZIP OUTER COVER 14X11	2	ICJZ1210	JAY ZIP INNER COVER 12X10
1	CJZ1412	JAY ZIP OUTER COVER 14X12	2	ICJZ1211	JAY ZIP INNER COVER 12X11
1	CJZ1413	JAY ZIP OUTER COVER 14X13	2	ICJZ1212	JAY ZIP INNER COVER 12X12
1	CJZ1414	JAY ZIP OUTER COVER 14X14	2	ICJZ1213	JAY ZIP INNER COVER 12X13
1	CJZ1415	JAY ZIP OUTER COVER 14X15	2	ICJZ1214	JAY ZIP INNER COVER 12X14
1	CJZ1416	JAY ZIP OUTER COVER 14X16	2	ICJZ1215	JAY ZIP INNER COVER 12X15
1	CJZ1417	JAY ZIP OUTER COVER 14X17	2	ICJZ1216	JAY ZIP INNER COVER 12X16
1	CJZ1418	JAY ZIP OUTER COVER 14X18	2	ICJZ1217	JAY ZIP INNER COVER 12X17
1	CJZ1512	JAY ZIP OUTER COVER 15X12	2	ICJZ1218	JAY ZIP INNER COVER 12X18
1	CJZ1513	JAY ZIP OUTER COVER 15X13	2	ICJZ1310	JAY ZIP INNER COVER 13X10
1	CJZ1514	JAY ZIP OUTER COVER 15X14	2	ICJZ1311	JAY ZIP INNER COVER 13X11
1	CJZ1515	JAY ZIP OUTER COVER 15X15	2	ICJZ1312	JAY ZIP INNER COVER 13X12
1	CJZ1516	JAY ZIP OUTER COVER 15X16	2	ICJZ1313	JAY ZIP INNER COVER 13X13
1	CJZ1517	JAY ZIP OUTER COVER 15X17	2	ICJZ1314	JAY ZIP INNER COVER 13X14
1	CJZ1518	JAY ZIP OUTER COVER 15X18	2	ICJZ1315	JAY ZIP INNER COVER 13X15
1	CJZ1613	JAY ZIP OUTER COVER 16X13	2	ICJZ1316	JAY ZIP INNER COVER 13X16
1	CJZ1614	JAY ZIP OUTER COVER 16X14	2	ICJZ1317	JAY ZIP INNER COVER 13X17
1	CJZ1615	JAY ZIP OUTER COVER 16X15	2	ICJZ1318	JAY ZIP INNER COVER 13X18
1	CJZ1616	JAY ZIP OUTER COVER 16X16	2	ICJZ1411	JAY ZIP INNER COVER 14X11
1	CJZ1617	JAY ZIP OUTER COVER 16X17	2	ICJZ1412	JAY ZIP INNER COVER 14X12
1	CJZ1618	JAY ZIP OUTER COVER 16X18	2	ICJZ1413	JAY ZIP INNER COVER 14X13
		INNER COVER	2	ICJZ1414	JAY ZIP INNER COVER 14X14
2	ICJZ0808	JAY ZIP INNER COVER 08X08	2	ICJZ1415	JAY ZIP INNER COVER 14X15
2	ICJZ0809	JAY ZIP INNER COVER 08X09	2	ICJZ1416	JAY ZIP INNER COVER 14X16
2	ICJZ0810	JAY ZIP INNER COVER 08X10	2	ICJZ1417	JAY ZIP INNER COVER 14X17
2	ICJZ0811	JAY ZIP INNER COVER 08X11	2	ICJZ1418	JAY ZIP INNER COVER 14X18
2	ICJZ0812	JAY ZIP INNER COVER 08X12	2	ICJZ1512	JAY ZIP INNER COVER 15X12
2	ICJZ0813	JAY ZIP INNER COVER 08X13	2	ICJZ1513	JAY ZIP INNER COVER 15X13
2	ICJZ0814	JAY ZIP INNER COVER 08X14	2	ICJZ1514	JAY ZIP INNER COVER 15X14
2	ICJZ0908	JAY ZIP INNER COVER 09X08	2	ICJZ1515	JAY ZIP INNER COVER 15X15
2	ICJZ0909	JAY ZIP INNER COVER 09X09	2	ICJZ1516	JAY ZIP INNER COVER 15X16
2	ICJZ0910	JAY ZIP INNER COVER 09X10	2	ICJZ1517	JAY ZIP INNER COVER 15X17
2	ICJZ0911	JAY ZIP INNER COVER 09X11	2	ICJZ1518	JAY ZIP INNER COVER 15X18
2	ICJZ0912	JAY ZIP INNER COVER 09X12	2	ICJZ1613	JAY ZIP INNER COVER 16X13
2	ICJZ0913	JAY ZIP INNER COVER 09X13	2	ICJZ1614	JAY ZIP INNER COVER 16X14

Pos.	Item Number	Description	Pos.	Item Number	Description
2	ICJZ1615	JAY ZIP INNER COVER 16X15	3	BJZ1210	JAY ZIP BASE 12X10
2	ICJZ1616	JAY ZIP INNER COVER 16X16	3	BJZ1211	JAY ZIP BASE 12X11
2	ICJZ1617	JAY ZIP INNER COVER 16X17	3	BJZ1212	JAY ZIP BASE 12X12
2	ICJZ1618	JAY ZIP INNER COVER 16X18	3	BJZ1213	JAY ZIP BASE 12X13
		BASE	3	BJZ1214	JAY ZIP BASE 12X14
3	BJZ0808	JAY ZIP BASE 08X08	3	BJZ1215	JAY ZIP BASE 12X15
3	BJZ0809	JAY ZIP BASE 08X09	3	BJZ1216	JAY ZIP BASE 12X16
3	BJZ0810	JAY ZIP BASE 08X10	3	BJZ1217	JAY ZIP BASE 12X17
3	BJZ0811	JAY ZIP BASE 08X11	3	BJZ1218	JAY ZIP BASE 12X18
3	BJZ0812	JAY ZIP BASE 08X12	3	BJZ1310	JAY ZIP BASE 13X10
3	BJZ0813	JAY ZIP BASE 08X13	3	BJZ1311	JAY ZIP BASE 13X11
3	BJZ0814	JAY ZIP BASE 08X14	3	BJZ1312	JAY ZIP BASE 13X12
3	BJZ0908	JAY ZIP BASE 09X08	3	BJZ1313	JAY ZIP BASE 13X13
3	BJZ0909	JAY ZIP BASE 09X09	3	BJZ1314	JAY ZIP BASE 13X14
3	BJZ0910	JAY ZIP BASE 09X10	3	BJZ1315	JAY ZIP BASE 13X15
3	BJZ0911	JAY ZIP BASE 09X11	3	BJZ1316	JAY ZIP BASE 13X16
3	BJZ0912	JAY ZIP BASE 09X12	3	BJZ1317	JAY ZIP BASE 13X17
3	BJZ0913	JAY ZIP BASE 09X13	3	BJZ1318	JAY ZIP BASE 13X18
3	BJZ0914	JAY ZIP BASE 09X14	3	BJZ1411	JAY ZIP BASE 14X11
3	BJZ0915	JAY ZIP BASE 09X15	3	BJZ1412	JAY ZIP BASE 14X12
3	BJZ1008	JAY ZIP BASE 10X08	3	BJZ1413	JAY ZIP BASE 14X13
3	BJZ1009	JAY ZIP BASE 10X09	3	BJZ1414	JAY ZIP BASE 14X14
3	BJZ1010	JAY ZIP BASE 10X10	3	BJZ1415	JAY ZIP BASE 14X15
3	BJZ1011	JAY ZIP BASE 10X11	3	BJZ1416	JAY ZIP BASE 14X16
3	BJZ1012	JAY ZIP BASE 10X12	3	BJZ1417	JAY ZIP BASE 14X17
3	BJZ1013	JAY ZIP BASE 10X13	3	BJZ1418	JAY ZIP BASE 14X18
3	BJZ1014	JAY ZIP BASE 10X14	3	BJZ1512	JAY ZIP BASE 15X12
3	BJZ1015	JAY ZIP BASE 10X15	3	BJZ1513	JAY ZIP BASE 15X13
3	BJZ1016	JAY ZIP BASE 10X16	3	BJZ1514	JAY ZIP BASE 15X14
3	BJZ1108	JAY ZIP BASE 11X08	3	BJZ1515	JAY ZIP BASE 15X15
3	BJZ1109	JAY ZIP BASE 11X09	3	BJZ1516	JAY ZIP BASE 15X16
3	BJZ1110	JAY ZIP BASE 11X10	3	BJZ1517	JAY ZIP BASE 15X17
3	BJZ1111	JAY ZIP BASE 11X11	3	BJZ1518	JAY ZIP BASE 15X18
3	BJZ1112	JAY ZIP BASE 11X12	3	BJZ1613	JAY ZIP BASE 16X13
3	BJZ1113	JAY ZIP BASE 11X13	3	BJZ1614	JAY ZIP BASE 16X14
3	BJZ1114	JAY ZIP BASE 11X14	3	BJZ1615	JAY ZIP BASE 16X15
3	BJZ1115	JAY ZIP BASE 11X15	3	BJZ1616	JAY ZIP BASE 16X16
3	BJZ1116	JAY ZIP BASE 11X16	3	BJZ1617	JAY ZIP BASE 16X17
3	BJZ1117	JAY ZIP BASE 11X17	3	BJZ1618	JAY ZIP BASE 16X18
3	BJZ1209	JAY ZIP BASE 12X09			

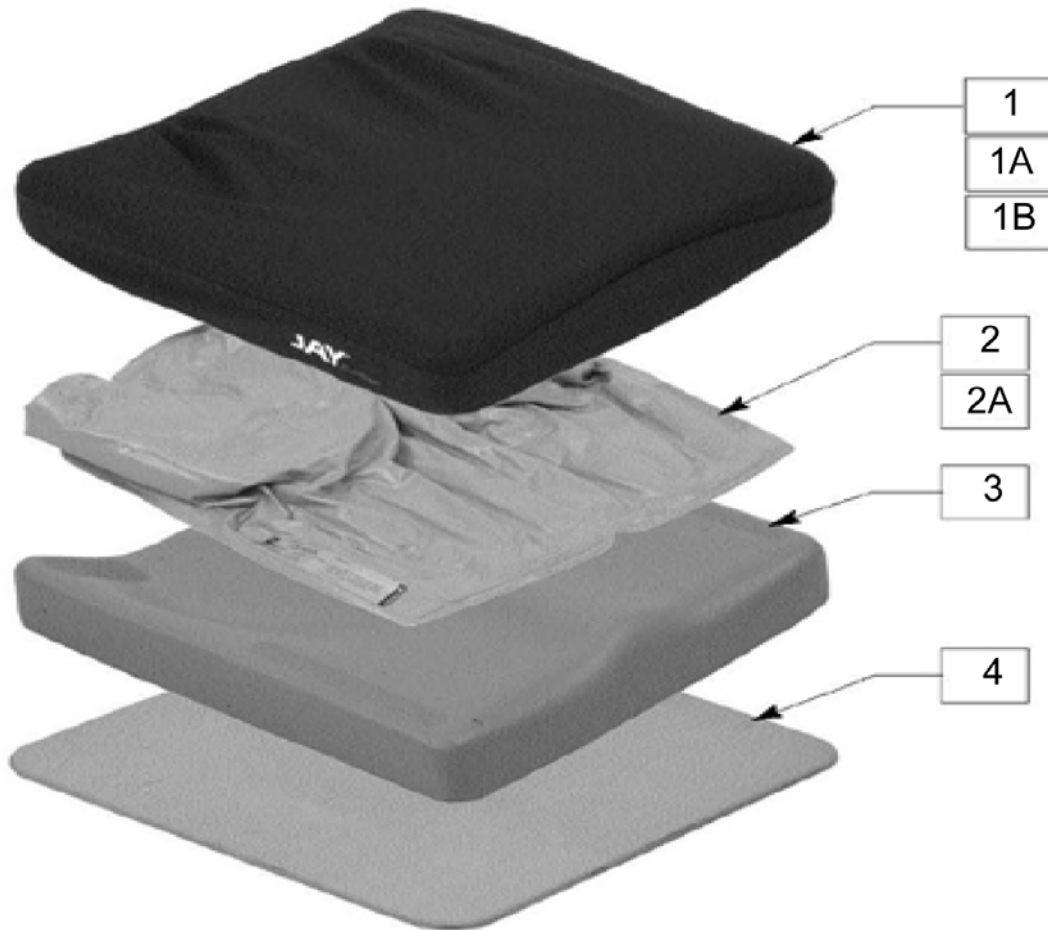
Note: Custom Drop Seat is only available for the Jay Soft Combi & Soft Combi P, Jay Gel, Jay Easy, Jay 2 & J2 DC, Jay GS and Jay Triad Cushions.



Pos.	Item Number	Description	Remarks
1	SD2444	SOLID DROP SEAT 14X14 W/HRDWR	
1	SD2446	SOLID DROP SEAT 14X16 W/HRDWR	
1	SD2455	SOLID DROP SEAT 15X15 W/HRDWR	
1	SD2457	SOLID DROP SEAT 15X17 W/HRDWR	
1	SD2460	SOLID DROP SEAT 16X20 W/HRDWR	
1	SD2466	SOLID DROP SEAT 16X16 W/HRDWR	
1	SD2468	SOLID DROP SEAT 16X18 W/HRDWR	
1	SD2475	SOLID DROP SEAT 17X15 W/HRDWR	
1	SD2477	SOLID DROP SEAT 17X17 W/HRDWR	
1	SD2480	SOLID DROP SEAT 18X20 W/HRDWR	
1	SD2488	SOLID DROP SEAT 18X18 W/HRDWR	
1	SD2486	SOLID DROP SEAT 18X16 W/HRDWR	
1	SD2406	SOLID DROP SEAT 20X16 W/HRDWR	
1	SD2408	SOLID DROP SEAT 20X18 W/HRDWR	

Pos.	Item Number	Description	Remarks
1	SD2400	SOLID DROP SEAT 20X20 W/HRDWR	
1	SD2426	SOLID DROP SEAT 22X16 W/HRDWR	
1	SD2428	SOLID DROP SEAT 22X18 W/HRDWR	
1	SD2448	SOLID DROP SEAT 24X18 W/HRDWR	
2-4	M-24S	SHORT 1/2" DROP HOOKS	Pack of 4
2-4	M-24M	MEDIUM 1" DROP HOOKS	Pack of 4
2-4	M-24L	LONG 1 1/2" DROP HOOKS	Pack of 4
5	283	HOOK STOPPER W/HARDWARE	
6	282	HOOK RETAINER/STOP WITH HARDWARE	

NOTE:* THESE SIZES ARE AVAILABLE ONLY WITH THE QUADRANT FLUID PAD. THE QUADRANT FLUID PAD HELPS PREVENT FLUID FROM MIGRATING TO THE REAR OF THE FLUID PAD WHEN INDIVIDUALS ARE IN RECLINED OR POSTERIOR PELVIC TILT POSITION.

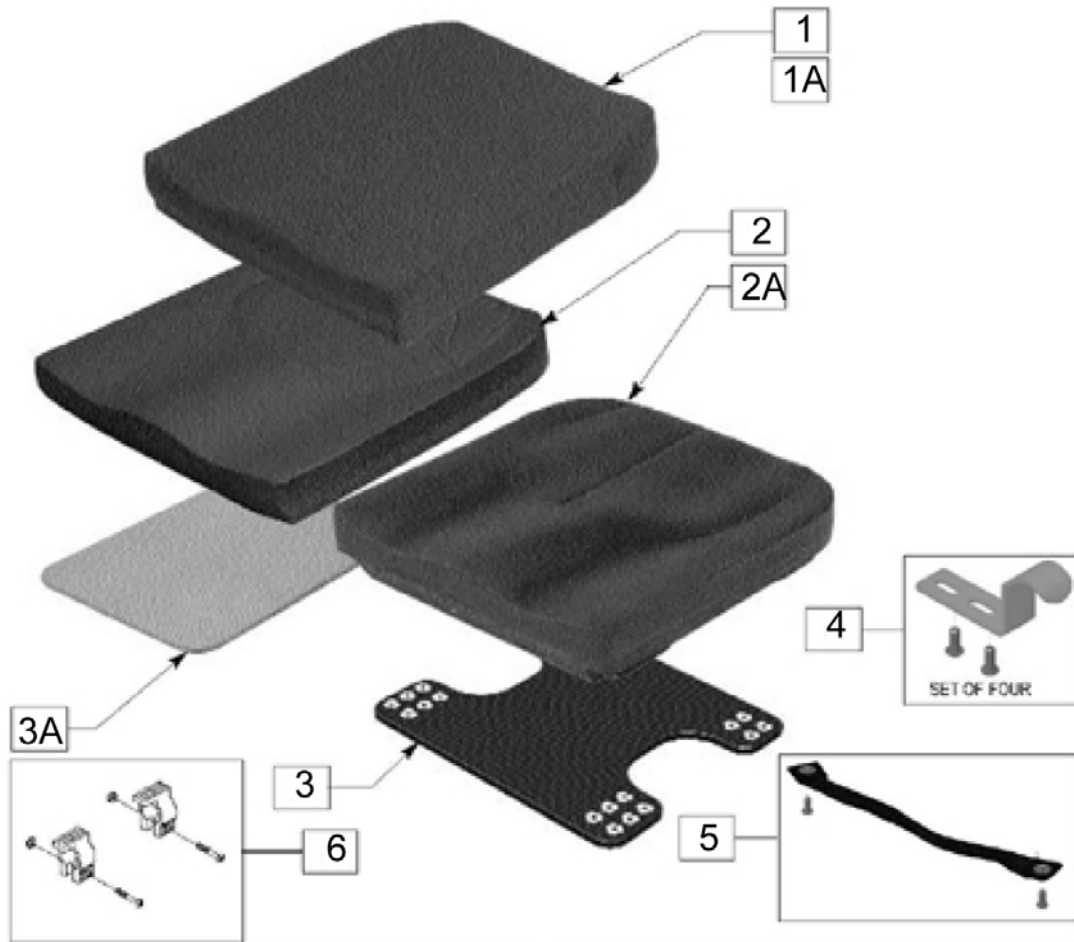


Pos.	Item Number	Description	Remarks	Pos.	Item Number	Description	Remarks
		>>>>>Cover>>>>>					
1	C100	COVER JAY 18 x 16		1A	C108A	COVER JAY AIR EXCHANGE 14 x 16	
1	C101	COVER JAY 18 x 18		1A	C110A	COVER JAY AIR EXCHANGE 14 x 13	
1	C105	COVER JAY 15.5 x 16		1A	C111A	COVER JAY AIR EXCHANGE 10 x 10	
1	C106	COVER JAY 15.5 x 18		1A	C115A	COVER JAY AIR EXCHANGE 12 x 11	
1	C108	COVER JAY 14 x 16		1A	C102A	COVER JAY AIR EXCHANGE 20 x 20	
1	C110	COVER JAY 14 x 13		1A	C103A	COVER JAY AIR EXCHANGE 18 x 20	
1	C111	COVER JAY 10 x 10		1A	C104A	COVER JAY AIR EXCHANGE 24 x 20	
1	C115	COVER JAY 12 x 11		1A	C107A	COVER JAY AIR EXCHANGE 15.5 x 20	
1	C102	COVER JAY 20 x 20				>>>>>Incontinent Cover>>>>>	
1	C103	COVER JAY 18 x 20		1B	C100N	COVER JAY INCONTINENT 18 x 16	
1	C104	COVER JAY 24 x 20		1B	C101N	COVER JAY INCONTINENT 18 x 18	
1	C107	COVER JAY 15.5 x 20		1B	C105N	COVER JAY INCONTINENT 15.5 x 16	
		>>>>>Air Exchange Cover>>>>>		1B	C106N	COVER JAY INCONTINENT 15.5 x 18	
1A	C100A	COVER JAY AIR EXCHANGE 18 x 16		1B	C108N	COVER JAY INCONTINENT 14 x 16	
1A	C101A	COVER JAY AIR EXCHANGE 18 x 18		1B	C110N	COVER JAY INCONTINENT 14 x 13	
1A	C105A	COVER JAY AIR EXCHANGE 15.5 x 16		1B	C111N	COVER JAY INCONTINENT 10 x 10	
1A	C106A	COVER JAY AIR EXCHANGE 15.5 x 18		1B	C115N	COVER JAY INCONTINENT 12 x 11	
				1B	C102N	COVER JAY INCONTINENT 20 x 20	

Pos.	Item Number	Description	Remarks	Pos.	Item Number	Description	Remarks
1B	C103N	COVER JAY INCONTINENT 18 x 20		2A	F107.1	FLUID PAD JAY QUAD 15.5 x 20	*
1B	C104N	COVER JAY INCONTINENT 24 x 20				>>>>>Base>>>>>	
1B	C107N	COVER JAY INCONTINENT 15.5 x 20		3	B100	BASE JAY 18 x 16	
		>>>>>Fluid Pad>>>>>		3	B101	BASE JAY 18 x 18	
2	F100	FLUID PAD JAY 18 x 16		3	B105	BASE JAY 15.5 x 16	
2	F101	FLUID PAD JAY 18 x 18		3	B106	BASE JAY 15.5 x 18	
2	F105	FLUID PAD JAY 15.5 x 16		3	B108	BASE JAY 14 x 16	
2	F106	FLUID PAD JAY 15.5 x 18		3	B110	BASE JAY 14 x 13	
2	F108	FLUID PAD JAY 14 x 16		3	B111	BASE JAY 10 x 10	
2	F110	FLUID PAD JAY 14 x 13		3	B115	BASE JAY 12 x 11	
2	F111	FLUID PAD JAY 10 x 10		3	B102	BASE JAY 20 X 20	
2	F115	FLUID PAD JAY 12 x 11		3	B103	BASE JAY 18 X 20	
2	F102	FLUID PAD JAY 20 x 20		3	B104	BASE JAY 24 X 20	
2	F103	FLUID PAD JAY 18 x 20		3	B107	BASE JAY 15.50 X 20	
2	F104	FLUID PAD JAY 24 x 20				>>>>>Solid Seat>>>>>	
2	F107	FLUID PAD JAY 15.5 x 20		4	S100	SOLID SEAT JAY 18 x 16	
		>>>>>Fluid Pad Quad>>>>>		4	S101	SOLID SEAT JAY 18 x 18	
2A	F100.1	FLUID PAD JAY QUAD 18 x 16	*	4	S105	SOLID SEAT JAY 15.5 x 16	
2A	F101.1	FLUID PAD JAY QUAD 18 x 18	*	4	S106	SOLID SEAT JAY 15.5 x 18	
2A	F105.1	FLUID PAD JAY QUAD 15.5 x 16	*	4	S108	SOLID SEAT JAY 14 x 16	
2A	F106.1	FLUID PAD JAY QUAD 15.5 x 18	*	4	S110	SOLID SEAT JAY 14 x 13	
2A	F108.1	FLUID PAD JAY QUAD 14 x 16	*	4	S111	SOLID SEAT JAY 10 x 10	
2A	F110.1	FLUID PAD JAY QUAD 14 x 13	*	4	S115	SOLID SEAT JAY 12 x 11	
2A	F111.1	FLUID PAD JAY QUAD 10 x 10	*	4	S102	SOLID SEAT JAY 20 X 20	
2A	F115.1	FLUID PAD JAY QUAD 12 x 11	*	4	S103	SOLID SEAT JAY 18 X 20	
2A	F102.1	FLUID PAD JAY QUAD 20 x 20	*	4	S104	SOLID SEAT JAY 24 X 20	
2A	F103.1	FLUID PAD JAY QUAD 18 x 20	*	4	S107	SOLID SEAT JAY 15.50 X 20	
2A	F104.1	FLUID PAD JAY QUAD 24 x 20	*				

NOTE: DROP SEAT CUSHION SHIPS STANDARD WITH 1.5" DROP HOOKS. ITEMS 2A AND 3 ARE GLUED TOGETHER.

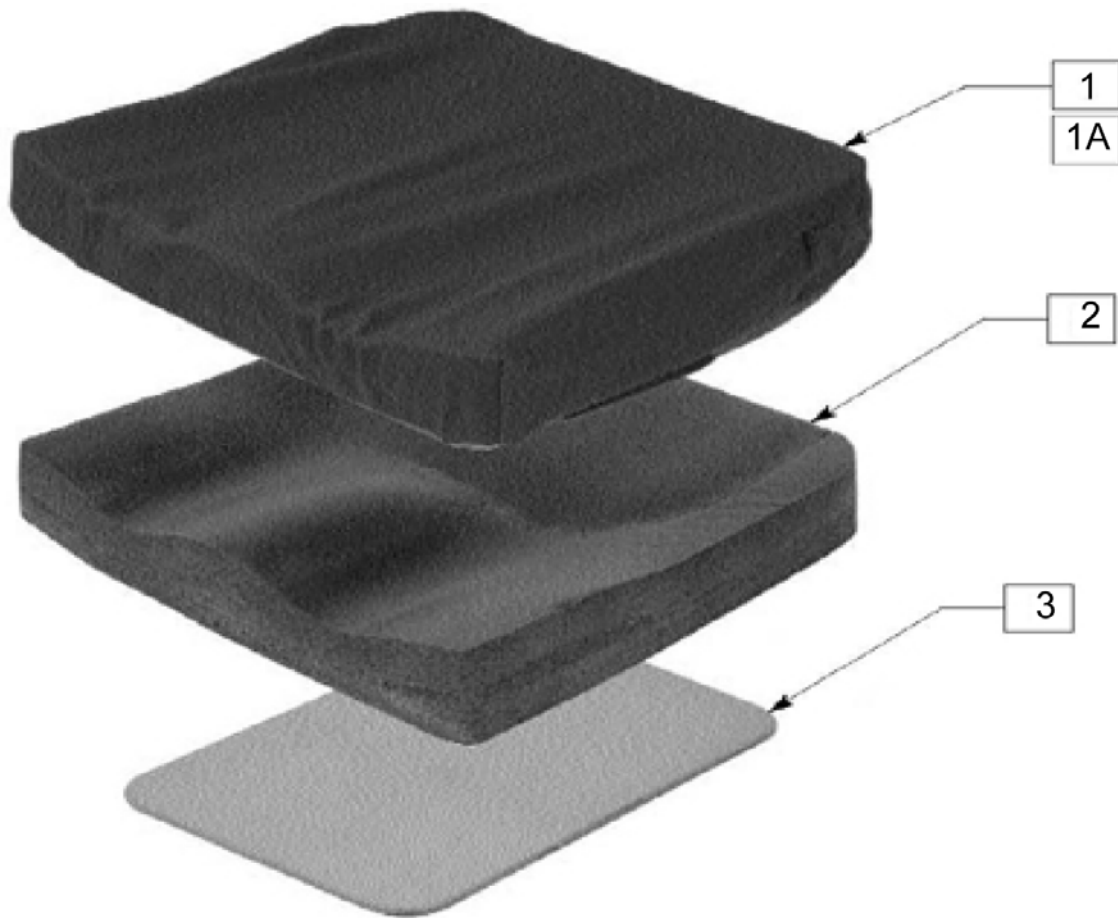
NOTE: THE SOLID SEAT IS MORE NARROW THAN THE CUSHION WIDTH TO ACCOMMODATE FOR THE SHAPE OF THE WHEELCHAIR CUSHION.



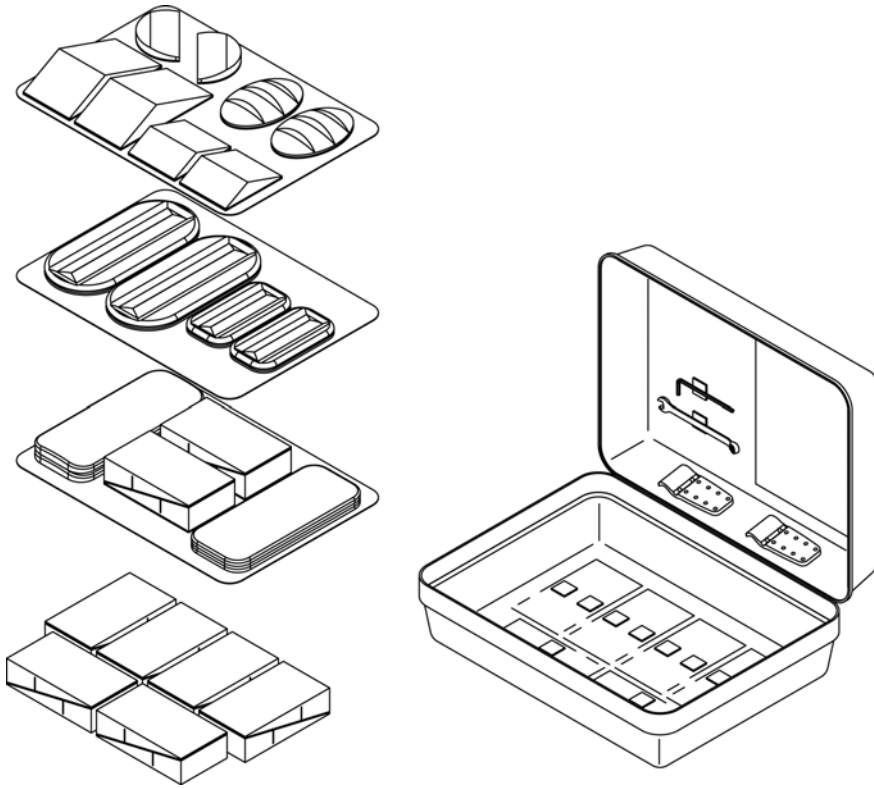
Pos.	Item Number	Description	Remarks
1	C1266	TRIAD COVER 16x16	
1	C1268	TRIAD COVER 16x18	
1	C1286	TRIAD COVER 18x16	
1	C1288	TRIAD COVER 18x18	
1	C1208	TRIAD COVER 20x18	
1A	C1266D	TRIAD COVER WITH DROP SEAT 16x16	
1A	C1268D	TRIAD COVER WITH DROP SEAT 16x18	
1A	C1286D	TRIAD COVER WITH DROP SEAT 18x16	
1A	C1288D	TRIAD COVER WITH DROP SEAT 18x18	
1A	C1208D	TRIAD COVER WITH DROP SEAT 20x18	
3A	S1266	SOLID SEAT TRIAD FOR 16x16	*
3A	S1268	SOLID SEAT TRIAD FOR 16x18	*
3A	S1286	SOLID SEAT TRIAD FOR 18x16	*
3A	S1288	SOLID SEAT TRIAD FOR 18x18	*

Pos.	Item Number	Description	Remarks
3A	S1208	SOLID SEAT TRIAD FOR 20x18	*
4	M-24S	SHORT 1/2" DROP HOOKS	
4	M-24M	MEDIUM 1" DROP HOOKS	
4	M-24L	LONG 1 1/2" DROP HOOKS	
5	M-2404H	HANDLE KIT J2 DEEP CONTOUR CUSHION 14"	
5	M-2405H	HANDLE KIT J2 DEEP CONTOUR CUSHION 15"	
5	M-2406H	HANDLE KIT J2 DEEP CONTOUR CUSHION 16"	
5	M-2407H	HANDLE KIT J2 DEEP CONTOUR CUSHION 17"	
5	M-2408H	HANDLE KIT J2 DEEP CONTOUR CUSHION 18"	
5	M-2409H	HANDLE KIT J2 DEEP CONTOUR CUSHION 20"	
5	M-2410H	HANDLE KIT J2 DEEP CONTOUR CUSHION 22"	
5	M-2411H	HANDLE KIT J2 DEEP CONTOUR CUSHION 24"	
6	282	HOOK RETAINER/STOP WITH HARDWARE	

NOTE: * THE SOLID SEAT IS MORE NARROW THAN THE CUSHION WIDTH TO ACCOMMODATE FOR THE SHAPE OF THE WHEELCHAIR CUSHION.

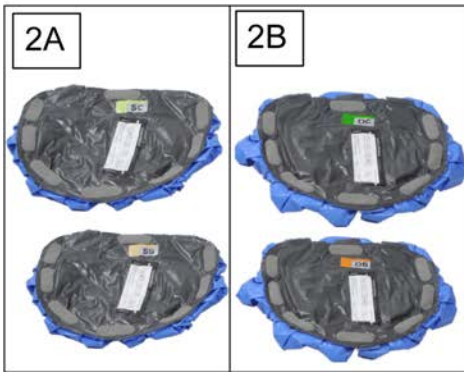
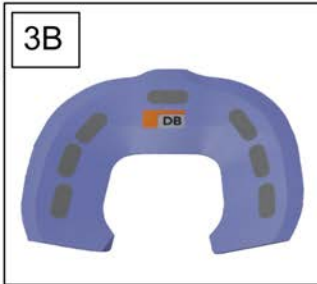
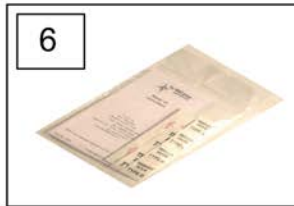
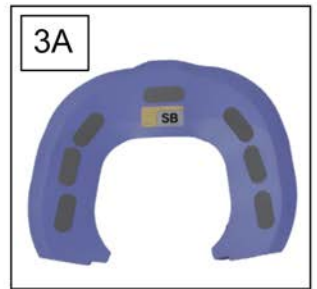
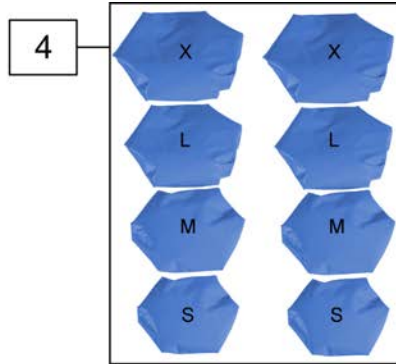


Pos.	Item Number	Description	Remarks
1	C1266P	TRIAD P-SKIN PROTECTION & POSITIONING COVER 16x16	
1	C1268P	TRIAD P-SKIN PROTECTION & POSITIONING COVER 16x18	
1	C1286P	TRIAD P-SKIN PROTECTION & POSITIONING COVER 18x16	
1	C1288P	TRIAD P-SKIN PROTECTION & POSITIONING COVER 18x18	
1	C1208P	TRIAD P-SKIN PROTECTION & POSITIONING COVER 20x18	
3	S1266	SOLID SEAT TRIAD FOR 16x16	*
3	S1268	SOLID SEAT TRIAD FOR 16x18	*
3	S1286	SOLID SEAT TRIAD FOR 18x16	*
3	S1288	SOLID SEAT TRIAD FOR 18x18	*
3	S1208	SOLID SEAT TRIAD FOR 20x18	*

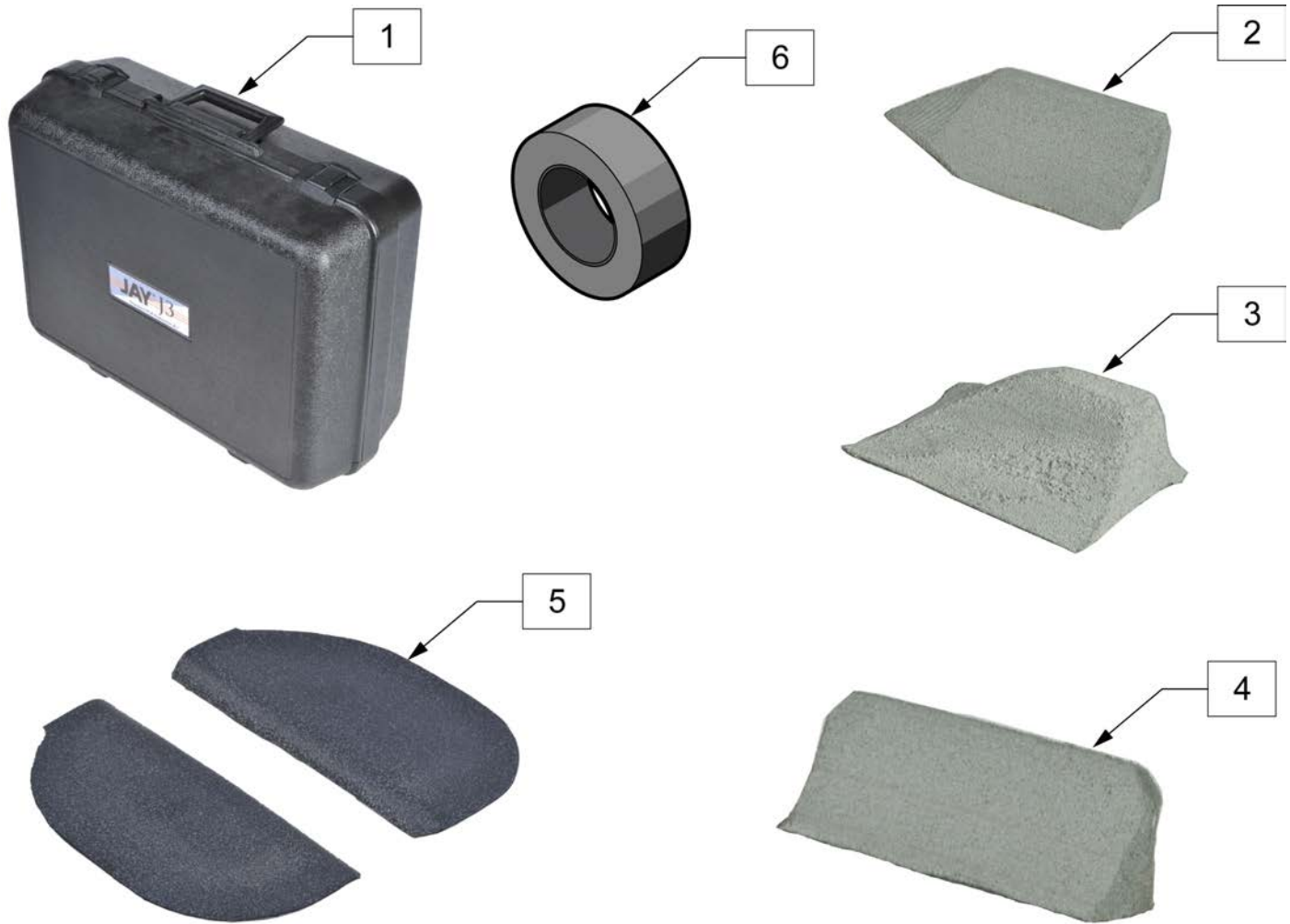


DESCRIPTION	QTY
BACK WEDGE BLK 3.5W W/VEL	16
LATERAL LUMBAR SUPP BLK W/VEL	2
LATERAL SUPP WEDGE BLK W/VEL	2
LUMBAR SUPP LG BLK 3.5W W/VEL	2
FLAT SHIM	2
CURVED SHIM	2
LUMBAR SUPP SM BLK 3.5W W/VEL	2
LARGE BEAN BAG	2
SMALL BEAN BAG	2
VARI DIA CLAMP INNER LONG	2
COMBO WRENCH 10MM	1
HEX KEY 4MM LONG	1
CASE INSERT 1 W/VEL J3 ASSES	1
CASE INSERT 2 W/VEL J3 ASSES	1
CASE INSERT 3 W/VEL J3 ASSES	1
CASE J3 SPINE ALIGN ASSES KIT	1

Pos.	Item Number	Description
1	DJ3SPNKA	ASSESSMENT KIT, SPINE ALIGN



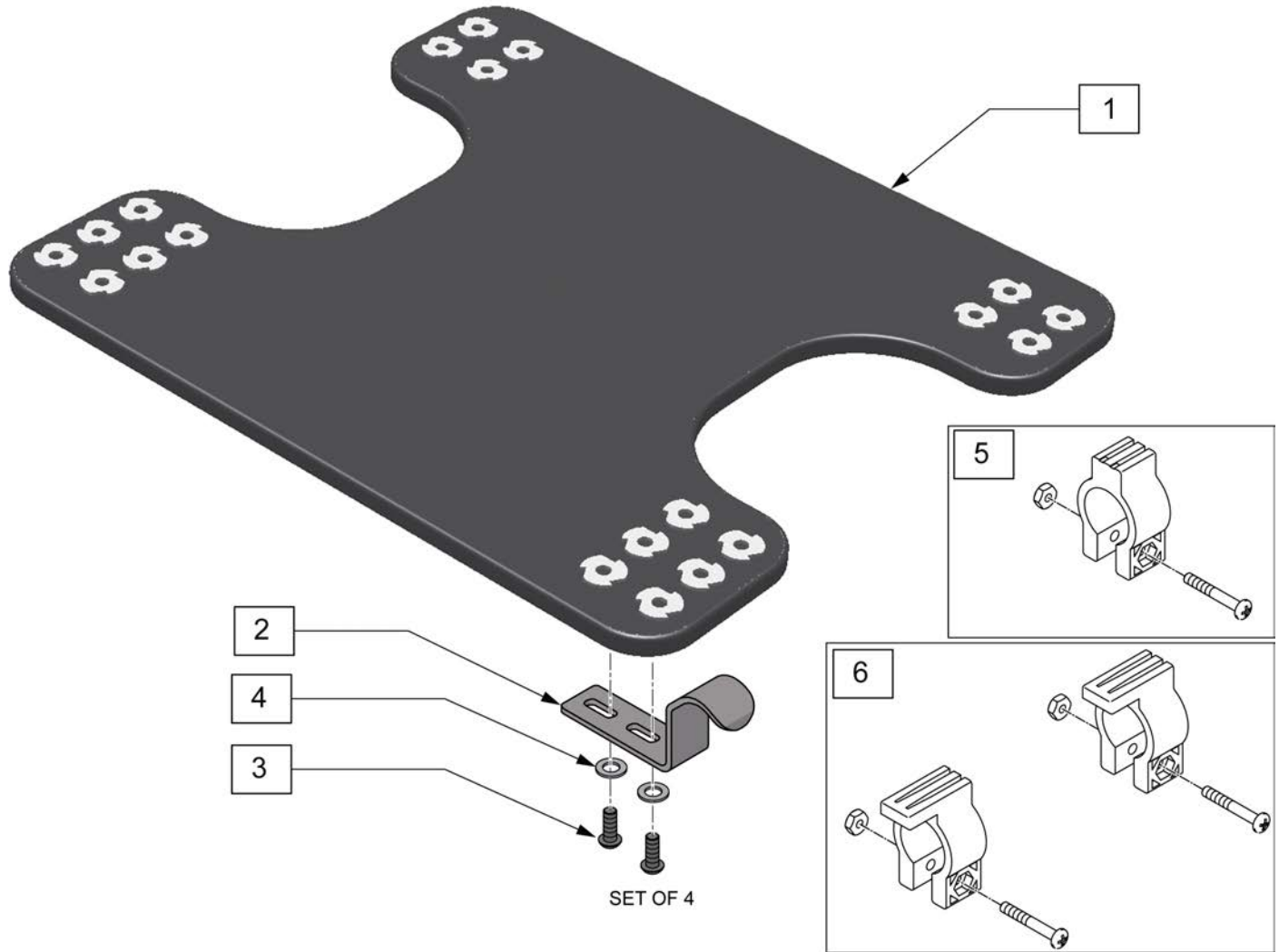
Pos.	Item Number	Description
1,2A,3A,4-7	J3CEKS	J3 CUSH STD PLA EVAL KIT
1,2B,3B,4-7	J3CEKD	J3 CUSH DP PLA EVAL KIT



Pos.	Item Number	Description	Remarks
2	J3CALM1	LATERAL THIGH 1" HEIGHT MEDIUM	8.25" LONG
2	J3CALL1	LATERAL THIGH 1" HEIGHT LARGE	11" LONG
2	J3CALS2	LATERAL THIGH 2" HEIGHT SMALL	5.5" LONG
2	J3CALM2	LATERAL THIGH 2" HEIGHT MEDIUM	8.25" LONG
2	J3CALL2	LATERAL THIGH 2" HEIGHT LARGE	11" LONG
3	J3CAMP1	MED THIGH 1" HEIGHT MEDIUM	6" LONG
3	J3CAML1	MED THIGH 1" HEIGHT LARGE	8.5" LONG
3	J3CAMS2	MED THIGH 2" HEIGHT SMALL	3.5" LONG
3	J3CAMP2	MED THIGH 2" HEIGHT MEDIUM	6" LONG
3	J3CAML2	MED THIGH 2" HEIGHT LARGE	8.5" LONG
4	J3CAPS2	LAT PEL 2" HEIGHT SMALL	4.75" LONG
4	J3CAPM2	LAT PEL 2" HEIGHT MEDIUM	6.25" LONG
5	J3CSAOR	OBLIQUITY PAD STD A RIGHT	
5	J3CSAOL	OBLIQUITY PAD STD A LEFT	
5	J3CSBOR	OBLIQUITY PAD STD B RIGHT	
5	J3CSBOL	OBLIQUITY PAD STD B LEFT	
5	J3CSCOR	OBLIQUITY PAD STD C RIGHT	
5	J3CSCOL	OBLIQUITY PAD STD C LEFT	
5	J3CDAOR	OBLIQUITY PAD DP A RIGHT	
5	J3CDAOL	OBLIQUITY PAD DP A LEFT	
5	J3CDBOR	OBLIQUITY PAD DP B RIGHT	

Pos.	Item Number	Description	Remarks
5	J3CDBOL	OBLIQUITY PAD DP B LEFT	
5	J3CDCOR	OBLIQUITY PAD DP C RIGHT	
5	J3CDCOL	OBLIQUITY PAD DP C LEFT	
6	J3CPRT	REPLACEMENT TAPE 30' ROLL	
1-6	J3CPEK	J3 CUSHION POSITIONING EVAL KIT	

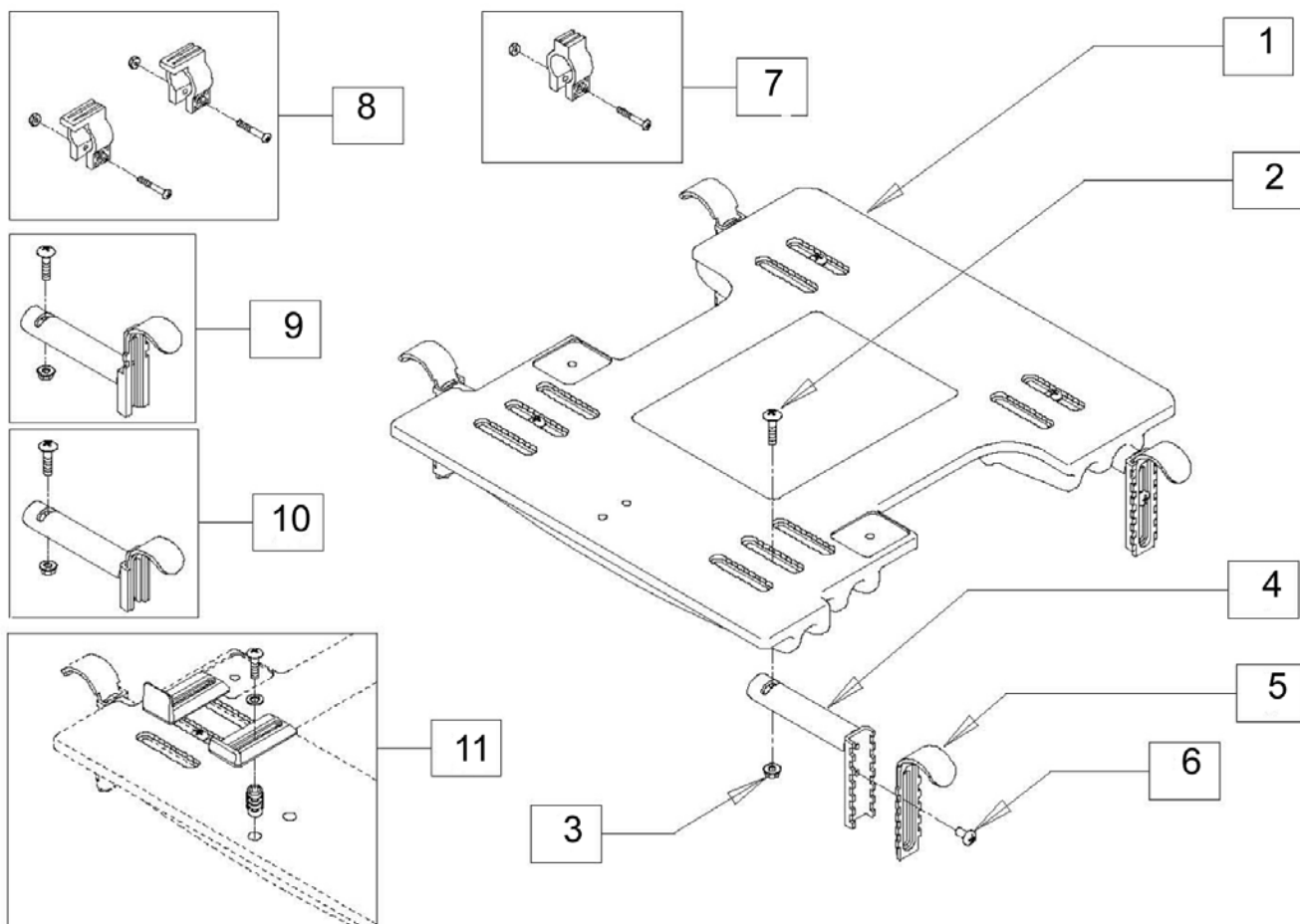
Note: Custom Drop Seat is only available for the Jay Soft Combi & Soft Combi P, Jay Gel, Jay Easy, Jay 2 & J2 DC, Jay GS and Jay Triad Cushions.



Pos.	Item Number	Description	Remarks
1	SD2444	SOLID DROP SEAT 14X14 W/HRDWR	
1	SD2446	SOLID DROP SEAT 14X16 W/HRDWR	
1	SD2455	SOLID DROP SEAT 15X15 W/HRDWR	
1	SD2457	SOLID DROP SEAT 15X17 W/HRDWR	
1	SD2460	SOLID DROP SEAT 16X20 W/HRDWR	
1	SD2466	SOLID DROP SEAT 16X16 W/HRDWR	
1	SD2468	SOLID DROP SEAT 16X18 W/HRDWR	
1	SD2475	SOLID DROP SEAT 17X15 W/HRDWR	
1	SD2477	SOLID DROP SEAT 17X17 W/HRDWR	
1	SD2480	SOLID DROP SEAT 18X20 W/HRDWR	
1	SD2488	SOLID DROP SEAT 18X18 W/HRDWR	
1	SD2486	SOLID DROP SEAT 18X16 W/HRDWR	
1	SD2406	SOLID DROP SEAT 20X16 W/HRDWR	
1	SD2408	SOLID DROP SEAT 20X18 W/HRDWR	

Pos.	Item Number	Description	Remarks
1	SD2400	SOLID DROP SEAT 20X20 W/HRDWR	
1	SD2426	SOLID DROP SEAT 22X16 W/HRDWR	
1	SD2428	SOLID DROP SEAT 22X18 W/HRDWR	
1	SD2448	SOLID DROP SEAT 24X18 W/HRDWR	
2-4	M-24S	SHORT 1/2" DROP HOOKS	Pack of 4
2-4	M-24M	MEDIUM 1" DROP HOOKS	Pack of 4
2-4	M-24L	LONG 1 1/2" DROP HOOKS	Pack of 4
5	283	HOOK STOPPER W/HARDWARE	
6	282	HOOK RETAINER/STOP WITH HARDWARE	

NOTE: ITEM 11 REQUIRES DRILLING OF (2) 7/32" HOLES FOR PROPER MOUNTING AND IS USED TO KEEP THE CUSHION FROM SLIDING OFF THE SEAT.



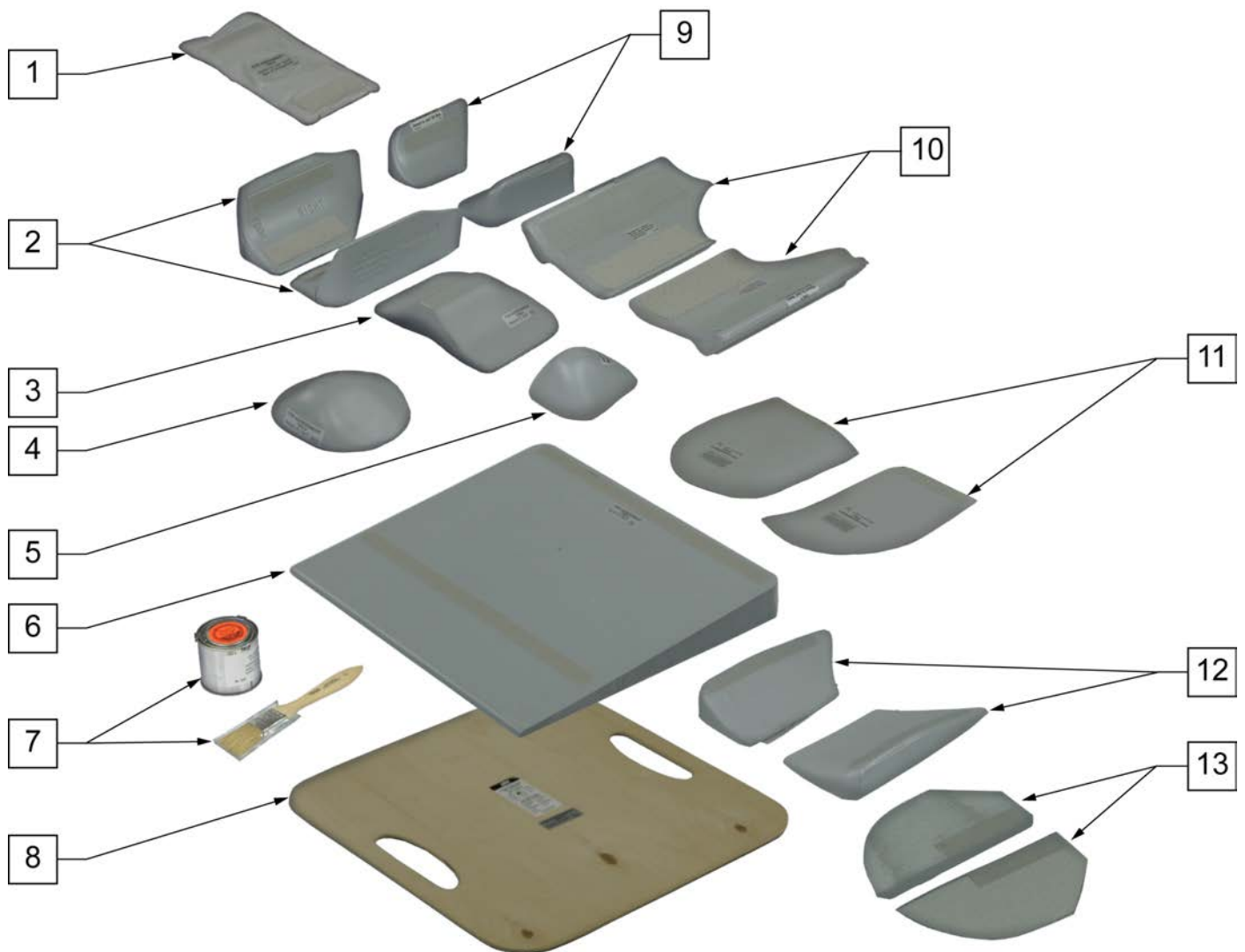
Pos.	Item Number	Description	Remarks
2	M-271	1/4"X20X1" BOLT	
3	M-272	WHIZ NUT	
7	283	HOOK STOPPER W/HARDWARE	
8	284	HOOK RETAINER W/HARDWARE	
9	287	HOOK&BRACKET MOD. 1 3/4"DROP	
9	298	HOOK & BRACKET MODFID MAX DROP	
10	286-MJ	HOOK & BRACKET MOD. FLUSH MOUNT	
10	296	HOOK & "L" ASSM FOR 20" FLUSH	
11	M-285	LIP KIT - FOR ADJUSTABLE SOLID SEAT	
2-6	2HL	HOOK & BRACKET - FASTENED	
2-6	3HL	LRG AD HOOK & BRACKET-FASTENED	
2-6	4HL	HOOK & "L"-FASTENED FOR 10"	
2-6	6HL	HOOK & "L"-FASTENED FOR 10"	
2-8	285	JAY SOLID SEAT HARDWARE PACKET	
1-8	270	SOLID SEAT ADJUSTABLE 15-18 X 12-18	INCLUDES HARDWARE P/N 2HL
1-8	271	SOLID SEAT ADJUSTABLE 10/11 X 10-12	INCLUDES HARDWARE P/N 4HL
1-8	272	SOLID SEAT ADJUSTABLE 11.5-14.5 X 10-16	INCLUDES HARDWARE P/N 2HL

Pos.	Item Number	Description	Remarks
1-8	270.1	SOLID SEAT ADJUSTABLE 15-18 W/2.5" DROP OP	INCLUDES HARDWARE P/N 3HL
1-8	271.1	SOLID SEAT ADJUSTABLE 10-11 W/2.5" DROP OP	INCLUDES HARDWARE P/N 6HL
1-8	272.1	SOLID SEAT ADJUSTABLE 11.5-14.5 W/2.5" DRP OP	INCLUDES HARDWARE P/N 3HL
1-8	273.1	SOLID SEAT ADJUSTABLE 18.5-22 X 12-20	INCLUDES HARDWARE P/N 3HL
1-8,11	270L	SOLID SEAT ADJUSTABLE W/LIP KIT	
1-8,11	271L	SOLID SEAT ADJUSTABLE 10" W/LIP KIT	
1-8,11	272L	SOLID SEAT ADJUSTABLE W/LIP KIT	
1-8,11	270.1L	SOLID SEAT ADJUSTABLE 15-18 W/2.5" DRP,LIP KT	
1-8,11	271.1L	SOLID SEAT ADJUSTABLE 10-11 W/2.5" DRP,LIP KT	
1-8,11	272.1L	SOLID SEAT ADJUSTABLE 11.5-14.5 /2.5 DRP,LIP	
1-8,11	273.1L	SOLID SEAT ADJUSTABLE LARGE ADULT W/LIP KIT	

NOTE: THE J2 CUSHION FEATURING ONE OR MORE POSITIONING ACCESSORIES IS RECOGNIZED BY THE SADMERC AS A K0108 ADJUSTABLE SKIN PROTECTION AND POSITIONING CUSHION.

NOTE: * FOR USE WITH THE JAY CUSHION ONLY.

NOTE: ** FOR USE WITH THE JAY J2 CUSHION ONLY

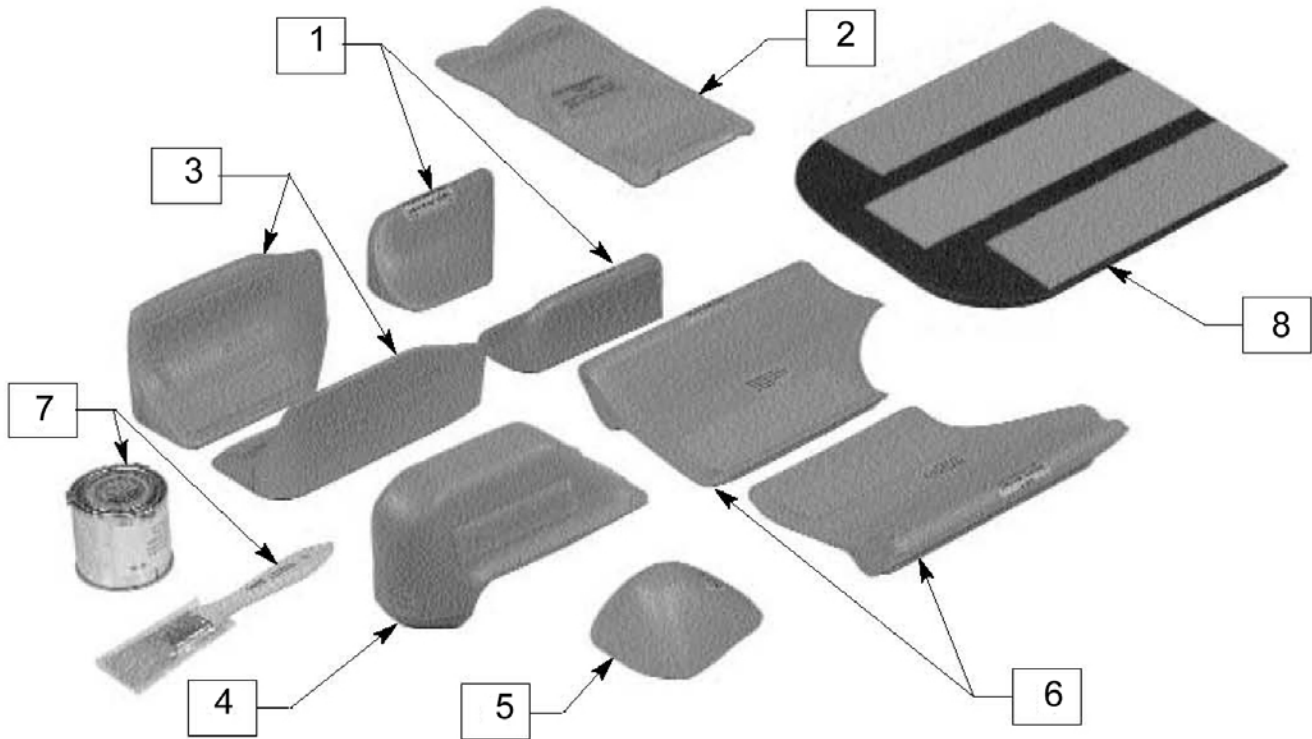


Pos.	Item Number	Description	Remarks
1	F119	FLUID SUPPLEMENT (8 OZ)	SIZE 5" x 10.5"
2	B113J	2" ADDUCTOR WEDGES	Pair
3	B118	BLD UP,2" ABDUCTOR,JAY	

Pos.	Item Number	Description	Remarks
4	B118W	2" ABDUCTOR WEDGE	
5	B168	BUILD-UP 2" JUNIOR ABDUCTOR	
6	B114	BASE WEDGE 1 1/2"	
7	086	FRONT PAINT 4 OZ + PAINT BRUSH	
8	S105	SOLID SEAT JAY 15.5X16	
9	B163	2" JUNIOR ADDUCTOR WEDGES	Pair
10	B1167	HIP GUIDES,2",JAY & GS	Pair
11	B116R	1" PELVIC OBLIQUITY BLD UP	RIGHT *
11	B116L	1" PELVIC OBLIQUITY BLD UP	LEFT *
12	B119J	1" ADDUCTOR WEDGES -JAY	Pair
1-12	155	JAY BOX OF ACCESSORIES	
6,10,11	156	CHILDREN'S ACCESSORIES KIT	
13	B2160L	1/2" PELVIC OBLIQUITY BUILD UP 2100	LEFT **
13	B2160R	1/2" PELVIC OBLIQUITY BUILD UP 2100	RIGHT **
13	B2161L	1/2" PELVIC OBLIQUITY BUILD UP 2101	LEFT **
13	B2161R	1/2" PELVIC OBLIQUITY BUILD UP 2101	RIGHT **
13	B2162L	1/2" PELVIC OBLIQUITY BUILD UP 2102	LEFT **
13	B2162R	1/2" PELVIC OBLIQUITY BUILD UP 2102	RIGHT **
13	B2163L	1/2" PELVIC OBLIQUITY BUILD UP 2103	LEFT **
13	B2163R	1/2" PELVIC OBLIQUITY BUILD UP 2103	RIGHT **
13	B2164L	1/2" PELVIC OBLIQUITY BUILD UP 2104	LEFT **
13	B2164R	1/2" PELVIC OBLIQUITY BUILD UP 2104	RIGHT **
13	B2165L	1/2" PELVIC OBLIQUITY BUILD UP 2105	LEFT **
13	B2165R	1/2" PELVIC OBLIQUITY BUILD UP 2105	RIGHT **
13	B2166L	1/2" PELVIC OBLIQUITY BUILD UP 2106	LEFT **
13	B2166R	1/2" PELVIC OBLIQUITY BUILD UP 2106	RIGHT **
13	B2167L	1/2" PELVIC OBLIQUITY BUILD UP 2107	LEFT **
13	B2167R	1/2" PELVIC OBLIQUITY BUILD UP 2107	RIGHT **
13	B2168L	1/2" PELVIC OBLIQUITY BUILD UP 2108	LEFT **
13	B2168R	1/2" PELVIC OBLIQUITY BUILD UP 2108	RIGHT **
13	B2169L	1/2" PELVIC OBLIQUITY BUILD UP 2116	LEFT **
13	B2169R	1/2" PELVIC OBLIQUITY BUILD UP 2116	RIGHT **
13	B2177L	1/2" PELVIC OBLIQUITY BUILD UP 2117	LEFT **
13	B2177R	1/2" PELVIC OBLIQUITY BUILD UP 2117	RIGHT **
13	B2170L	1/2" PELVIC OBLIQUITY BUILD UP 2118	LEFT **
13	B2170R	1/2" PELVIC OBLIQUITY BUILD UP 2118	RIGHT **

NOTE: MAY ALSO BE USED WITH JAY AND JAY J2 CUSHIONS. ITEMS 1 & 5 MAY BE USED WITH JAY J2 DEEP CONTOUR CUSHION.

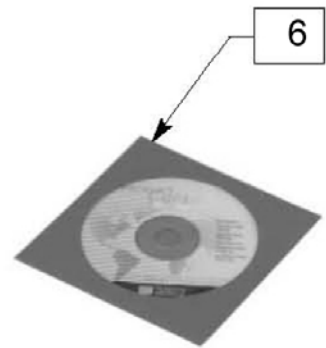
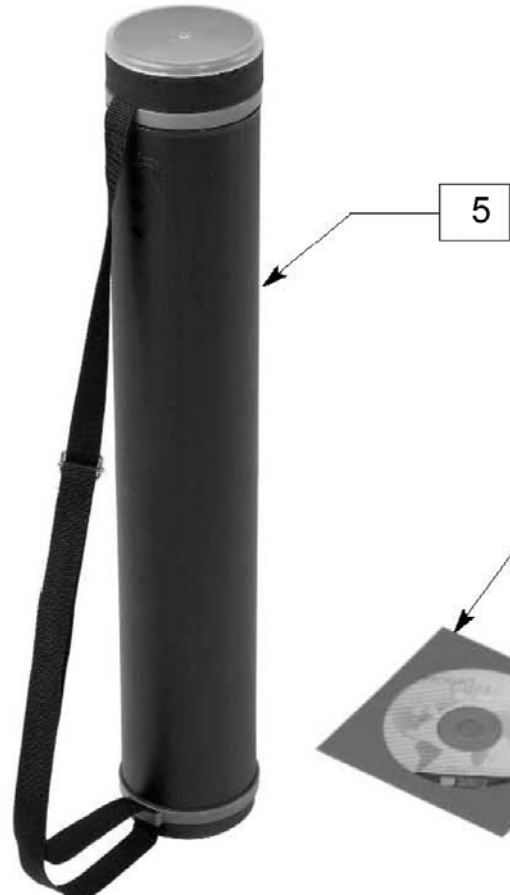
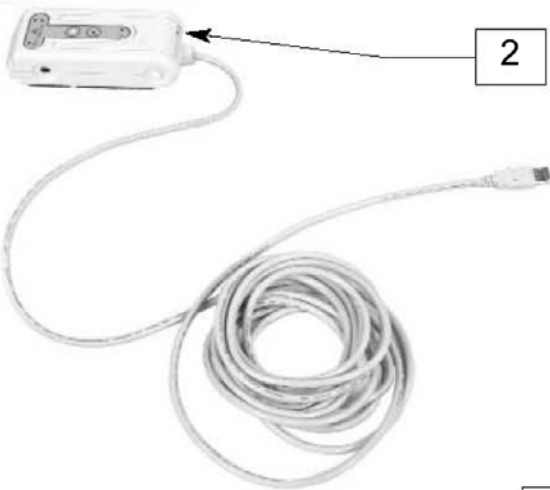
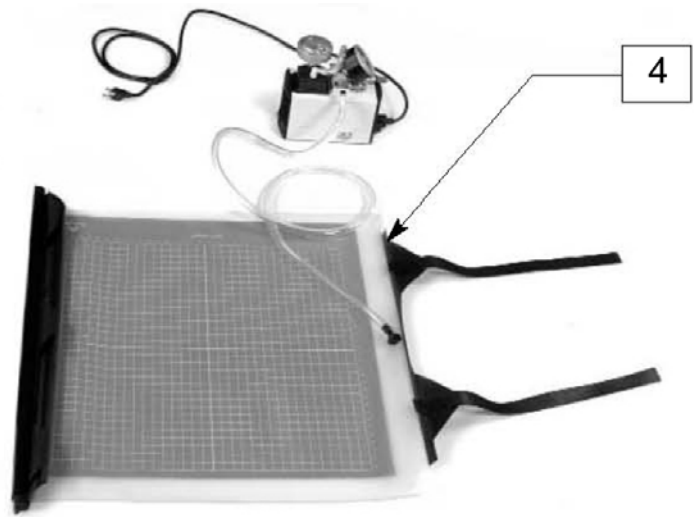
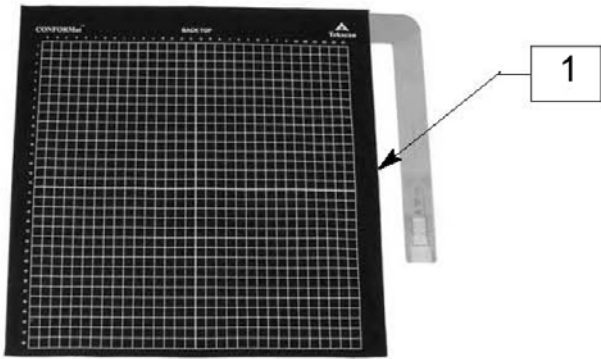
NOTE: ITEMS 1" OR GREATER COMBINED WITH J2 DEEP CONTOUR CUSHION ARE RECOGNIZED BY THE SADMERC AS A K0108 ADJUSTABLE SKIN PROTECTION AND POSITIONING CUSHION.



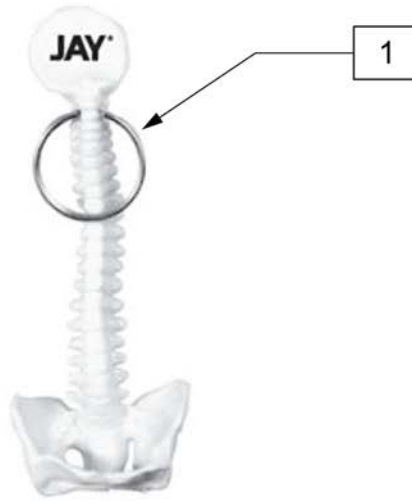
Pos.	Item Number	Description	Remarks
1	B163	2" JUNIOR ADDUCTOR WEDGES	Pair *
2	F1119	MINI FLUID SUPPLEMENT	
3	B1113	WEDGES,3" ADDUCTOR	Pair *
4	B1118	3" ABDUCTOR BUILD-UP	*
5	B168	BUILD-UP 2" JUNIOR ABDUCTOR	*
6	B1167	HIP GUIDES,2",JAY & GS	Pair *
7	086	FR PAINT 4 OZ + PAINT BRUSH	
8	K1100	WELL BUILD-UP GS 18"	
8	K1105	WELL BUILD-UP GS 16" 1	
8	K1110	WELL BUILD-UP GS 14"	
8	K1115	WELL BUILD-UP GS (12")	
1-8	1155-MJ	JAY GS ACCESSORY BOX	



Pos.	Item Number	Description
1	C141	COVER PROTECTOR CUSHION
1A	C144	JUNIOR COVER PROTECTOR CUSHION
2	141	PROTECTOR CUSHION
2A	144	JUNIOR PROTECTOR CUSHION
3	142	PROTECTOR SLING
3A	145	JUNIOR PROTECTOR SLING
1-3	140	PROTECTOR CUSHION AND SLING
1A-3A	143-MJ	JUNIOR PROTECTOR CUSHION & SLING



Pos.	Item Number	Description	Remarks
1,2, 5,6	CONFORMAT1	CONFORMAT KIT FOR 1 CUSHION	
1,2, 5,6	CONFORMAT	CONFORMAT KIT CUSHION & BACK	
1,2,5	CONFORMATUPG	UPGRADE KIT	
3,4,6	BLADDERVB5A	CALIBERATION SYSTEM KIT	
1	SEN5330T1-5	SENSOR PAD	1,2
2	HANTR8009USBR3	USB HANDLE	
3	CAS50430	VACUUM PUMP CARRYING CASE	
5	CASRLTUBE	SENSOR CARRYING TUBE	
6	DISKSFTWR	SOFTWARE CD NOT SHOWN	
	CASVACBAG	CACUUM BLADDER CARRYING CASE	
	COMUSB4HUB	4-PORT USB HUB	
	STRVELCROCTRP	VELCRO STRAP FOR HANDLE	
	SER5330RECAL	SENSOR RECALIBRATION	



Pos.	Item Number	Description
1	118034	FREE KEY CHAIN

Note: Spinal Fluid PAdS can be added to any Jay back with a hard shell.



PART #	HEIGHT
XF1515	16"
XF505	18"
XF1505	20"
XF506	23"

Pos.	Item Number	Description
1	XF1515	FLUID PAD GS BACK 12" CHILD'S
1	XF505	SPINAL FLUID PAD
1	XF1505	SPINAL FLUID PAD GS BACK 16IN
1	XF506	FLUID PAD TALL JAY BACK

JAY[®]



PSIS

ASIS

Coccyx

Greater Trochanter

Tuberosities