



Rumba



Rumba

Compact, transportable, and adjustable....



Very compact base for lifts and narrow doors

The Quickie Rumba base is only 59 cm wide (42cm seat frame width), allowing easy access into lifts and narrow apartments. This frame size can be adjusted up to 48 cm client width via the arm rest! For clients with the need of a 48cm seat frame the Rumba is still only 65 cm wide.

Adjustable and Detachable

Easy to transport

Easily detachable back and lift out batteries combined with a folding frame allows easy transport and largest component weight at 37.4 kg. Ideal for storage in car boots and confined spaces.



Folding frame, detachable back, lift out batteries

Easy to adjust seat, backrest and armrests for client

Can be adapted to clients from 42 cm to 54 cm width with 42 cm and 48 cm frame sizes each with 6 cm armrest width adjustment.

Tool-less backrest height adjustment to 43, 46 and 49 cm and to 30° backrest angle adjustment complete with adjustable upholstery (option).

Detachable armrests with height adjustment. 3° of seat angle adjustment



Adjustable width



Height and angle adjustable backrest

Available options



Lights and indicators

- Lights and indicators
- Kerb climber
- Chin control
- Elevating legrest
- Tension-adjustable backrest
- Crutch holder
- Depth-adjustable tray
- Standard headrest
- Anatomic headrest
- Anatomic seat and backrest



Kerb climber

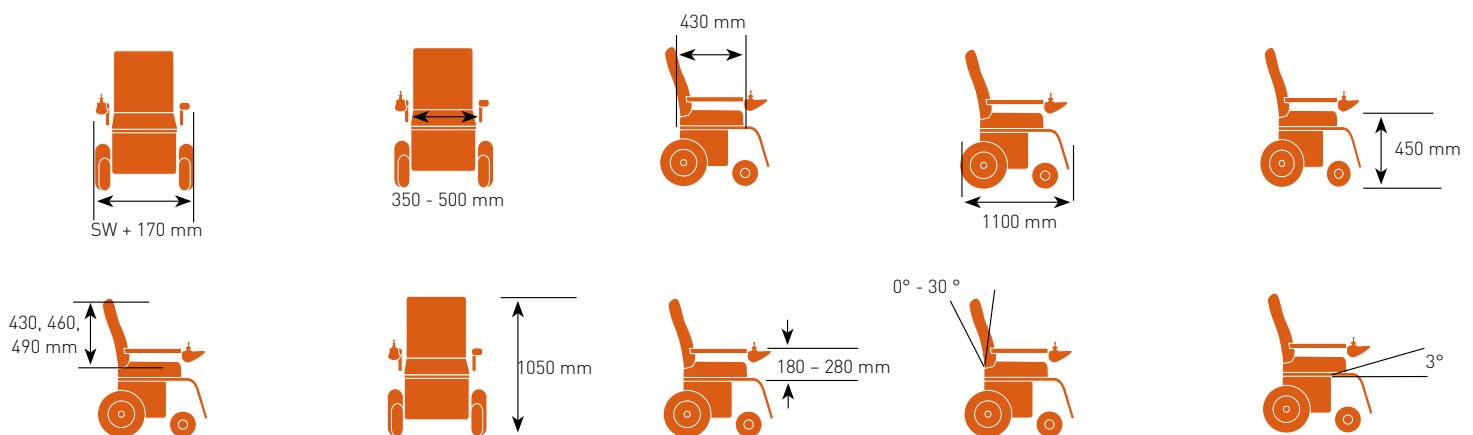


Chin control

Rumba

Compact, transportable, and adjustable....

Technical specifications



Max. speed	6 kph	Max. safe slope:	10°
Batteries:	40 Ah / [50Ah]	Reversing width:	1000 mm
Colours:	Blue, red, black and silver	Max. height of kerb which the powerchair can descend safely:	100 mm
Max. user weight:	125 kg	Max range:	30 km
Total weight (with batteries):	75 kg	Folded width:	400 mm
Weight of heaviest part:	37.4 kg (frame)	Folded length:	830 mm
Turning circle:	850 mm	Folded height:	1050 mm

For further information on the full specification, options and accessories, please refer to the order form.
 All information is subject to change without notification. Please consult Sunrise Medical with any queries you may have.
 If you are visually impaired, this document can be viewed in PDF format at www.SunriseMedical.com or alternatively is available on request in large text.



Sunrise Medical GmbH & Co. KG

Kahlbachring 2-4
 69254 Malsch/HD
 Tel.: +49 (0) 72 53 / 9 80-0
 Fax: +49 (0) 72 53 / 9 80-111

www.SunriseMedical.com