

XT4



Rev:01/2026
Until:12/2026

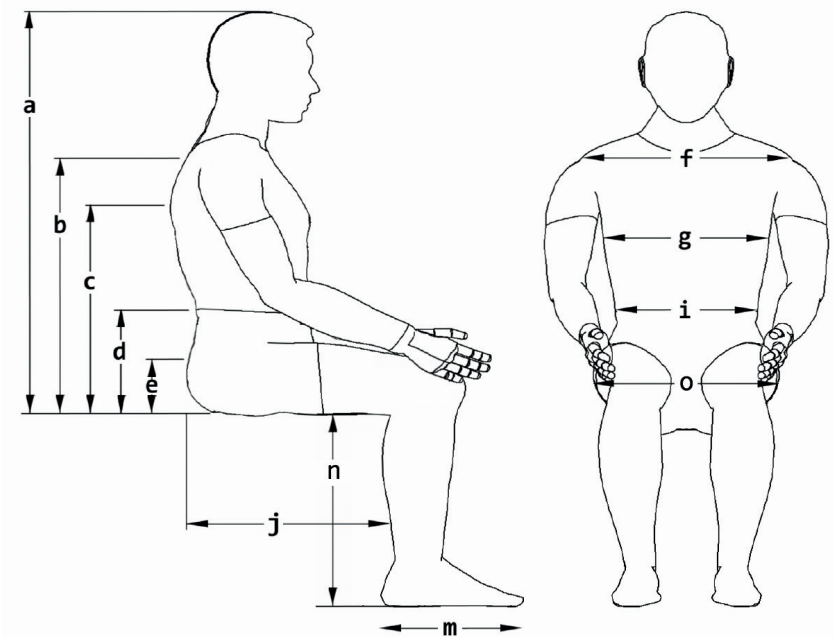
ORDER FORM

Errors and omissions excepted..

Billing Address Or Customer-ID			Shipping Address		Identical To Billing Address
C.-ID:			C.-ID:		
Name:			Name:		
Street:			Street:		
Town/PC:			Town/PC:		
E-Mail:			E-Mail:		
Phone:			Phone:		
Order Information			User Weight		
Order	Calculation	Built-4-Me®	Art. No.:		
Purchase Order No.:			User weight:		kg
Reimbursement Code:			<p>Base Price € XX.XX,-</p>		
Order date: Day	Month	Year			

Client Measurements

a) Top Of Head To Seat	mm
b) Top Of Shoulder To Seat	mm
c) Underarm To Seat	mm
d) Elbow To Seat	mm
e) Top Of Pelvis To Seat	mm
f) Shoulder Width	mm
g) Trunk Width	mm
i) Hip Width	mm
j) Actual Sitting Depth	mm
m) Foot Length	mm
n) Lower Leg Length	mm
o) Actual Seat Width	mm



Technical Data

User Weight Capacity	160 kg with seat lift and tilt	Ground Clearance	125 mm
Base Width	700 mm	Drive Wheels & Castors	Off-road pneumatic 145 x 70, black rim
Chassis length	1000 mm	Charger	220 V/12 A
Drive Control	R-Net (120A Power Module)	Battery Size	115 Ah
Drive Motors	10 km/h, 4 x 700 W, 4-Pole Motors	Turning radius	1410 mm
Standard configuration	Including LED lights, Crash Tested Vehicle Tie-Downs, Maintenance-free 115 Ah batteries, 12 A charger, MPS back system, MPS seat system		
Tyres	Maximum tyre pressure depending on user weight from 0.25 to 0.55 bar (see table in instruction manual)		

Drive Unit

Power Wheelchair

MAG010013	XT4	€ XXX,-
-----------	------------	---------

Colour Selection

MAG6094	XT4 Midnight Black	€ XXX,-
MAG6095	XT4 Sunset Red	€ XXX,-
MAG6096	XT4 Horizon Blue	€ XXX,-

Puncture Resistance Options

MAG7050	Pneumatic	€ XXX,-
MAG7056	Extreme X8 and XT4 Puncture Resistant Kit	€ XXX,-
MAG7058	Neverflat for Extreme X8, XT4 and XT2	€ XXX,-

Batteries

MAG6285	Battery, 115 Ah, Maintenance free	€ XXX,-
---------	-----------------------------------	---------

Chargers

MAG160105	Charger, Automatic, 220 V / 12 A, UK	€ -
MAG160106	Charger, Automatic, 220 V / 12 A	€ -

Seat Tilt Modules

MAG3502-KIT	Fixed Frame (only lighting)	€ XXX,-
MAG5335	Fixed Frame (with Power Options)	€ XXX,-
MAG5127	Tilt (0 - 50°)	€ XXX,-
MAG5126	Lift and Tilt (300 mm lift, 0 - 45°)	€ XXX,-

Seat Height

MAG6552	Seat Height: Leave as is Max Lower Leg Length 370 mm	€ XXX,-
MAG6553	Seat Height: +25mm front, +25mm rear Added Seat Height Versus 480 mm Standard Seat Height	€ XXX,-
MAG6554	Seat Height: +50mm front, +50mm rear Added Seat Height Versus 480 mm Standard Seat Height	€ XXX,-

Seating Systems

MAGMPSSEATVINYL	MPS Seat in VINYL	€ XXX,-
MAGMPSSEATFABRIC	MPS Seat in FABRIC	€ XXX,-
MAGREHABSEATPAN	Rehab seat pan, choose MPS or rehab seat cushion later	€ XXX,-

Section A – MPS Seat Size

Seat width

MAGSW405MM	405 mm
MAGSW455MM	455 mm
MAGSW510MM	510 mm
MAGSW560MM	560 mm
MAGSW610MM	610 mm

Seat depth	
MAGSD405MM	405 mm
MAGSD455MM	455 mm
MAGSD510MM	510 mm

Section B – Rehab Seat Sizes

Seat width Depth minus Width Must Not Exceed 50 mm					
MAGSW305MM	305 mm	MAGSW430MM	430 mm	MAGSW560MM	560 mm
MAGSW330MM	330 mm	MAGSW455MM	455 mm	MAGSW585MM	585 mm
MAGSW355MM	355 mm	MAGSW480MM	480 mm	MAGSW610MM	610 mm
MAGSW380MM	380 mm	MAGSW510MM	510 mm		
MAGSW405MM	405 mm	MAGSW535MM	535 mm		

Seat depth Depth minus Width Must Not Exceed 50 mm					
MAGSD305MM	305 mm	MAGSD430MM	430 mm	MAGSD560MM	560 mm
MAGSD330MM	330 mm	MAGSD455MM	455 mm	MAGSD585MM	585 mm
MAGSD355MM	355 mm	MAGSD480MM	480 mm	MAGSD610MM	610 mm
MAGSD380MM	380 mm	MAGSD510MM	510 mm		
MAGSD405MM	405 mm	MAGSD535MM	535 mm		

Section B – Seat Cushion For Rehab Seat

		€
MAGWOSEATCUSH	No seat cushion	XXX,-
MAGCMRC	MPS Removable Seat Cushion Choose Between Seat Width 405 / 455 / 510 / 560 / 610. Choose Between Seat Depth 405 / 455 / 510. Choose also Upholstery in Section B - UPH For Rehab Seat Cushion	XXX,-
MAGPADDEDSC	Flat padded seat cushion Choose Seat Width And Seat Depth in Section B - Rehab Seat Sizes. Choose also Upholstery in Section B - UPH For Rehab Seat Cushion	XXX,-

Section B – UPH For Rehab Seat Cushion

		€
MAGSUFABRIC	Fabric	XXX,-
MAGSUVINYL	Vinyl	XXX,-

Backrest for MPS Seat

		€
MAGMPSBACK	MPS Back	XXX,-

Backrest for Rehab Seat Pan

		€
MAGMPSBACKREHAB	MPS backrest	XXX,-
MAGREHABCANES	Rehab canes, choose MPS or rehab insert back later	XXX,-
MAGREHABFOLD	Rehab canes with fold forward, choose MPS or rehab insert back later	XXX,-

MPS Back UPH

		€
MAGFABRICBR	Fabric	XXX,-
MAGVINYLBR	Vinyl	XXX,-

MPS Backrest – Sizes

		€
Backrest width Backrest Height Minus Backrest Width Must Exceed 50 mm		
MAGBW405MM	405 mm	XXX,-
MAGBW455MM	455 mm	XXX,-
MAGBW510MM	510 mm	XXX,-
MAGBW560MM	560 mm	XXX,-
MAGBW610MM	610 mm	XXX,-
Backrest height Backrest Height Minus Backrest Width Must Exceed 50 mm		
MAGBH535MM	535 mm	XXX,-
MAGBH585MM	585 mm	XXX,-

Recline Option		€
Recline option for MPS seat and MPS back		
MAG3900-S-3901-F	Manual Recline (90° - 170°)	XXX,-
MAG3904-S-3905-F	Power Recline (90° - 150°) Not Available With MAG3502-KIT	XXX,-
Recline option for Rehab seat and MPS back		
MAG3908-S-3909-F	Manual Recline (90° - 170°)	XXX,-
MAG3912-S-3913-F	Power Recline (90 - 160°) Not Available With MAG3502-KIT	XXX,-
Recline Option for Rehab seat and Rehab canes		
MAG3920-S-3921-F	Fixed (90° - 105°), (90°, 97,5°, 105°)	XXX,-
MAG3924-S-3925-F	Manual Recline (90° - 170°)	XXX,-
MAG3928-S-3929-F	Power Recline (90° - 160°) Backrest Height Minus Backrest Width Must Exceed 50 mm	XXX,-
MAG3932-S-3933-F	Anti-shear power recline (95° -155°) Backrest Height Minus Backrest Width Must Exceed 50 mm, not with SW 305, 330, 355	XXX,-
Recline option for Rehab seat and Rehab canes, Foldable to the front		
MAG3922-S-3923-F	Fixed (90° - 105°), (90°, 97,5°, 105°)	XXX,-
MAG3926-S-3927-F	Manual Recline (90° - 170°)	XXX,-
MAG3930-S-3931-F	Power Recline (90° - 160°) Backrest Height Minus Backrest Width Must Exceed 50 mm	XXX,-
MAG3934-S-3935-F	Anti-shear power recline (95° -155°) Backrest Height Minus Backrest Width Must Exceed 50 mm, not with SW 305, 330, 355	XXX,-

Please Fill In Only If Rehab Back Canes or Rehab Back Canes With Fold Forward Is Selected

Rehab Insert Back		€
MAGBACKRESTINSERT	Magic Rehab insert back Only Available With MAGREHABCANES And MAGREHABFOLD	XXX,-
MAGMPSINSERT	MPS insert back Only with MTO fabric upholstery (except Standard), Choose Size in MPS Backrest - Sizes Section	XXX,-

Magic Rehab Insert Backrest Cushion		€
MAGBRMRJ	Junior (350 mm height)	XXX,-
MAGBRMRJXS	Junior (Xtra tall, 410 mm height)	XXX,-
MAGBRMRMS	Medium (Short, 430 mm height)	XXX,-
MAGBRMRM	Medium (480 mm height)	XXX,-
MAGBRMRMXT	Medium (Xtra tall, 530 mm height)	XXX,-
MAGBRMRLS	Large (Short, 430 mm height)	XXX,-
MAGBRMRL	Large (480 mm height)	XXX,-
MAGBRMRLXT	Large (Xtra tall, 530 mm height)	XXX,-

Rehab Back Insert UPH		€
MAGFABRICBR	Fabric	XXX,-
MAGVINYLBR	Vinyl	XXX,-

Rehab Back Insert Bolster Size		€
For Magic Rehab back cushion large/medium		
MAGBOLSTERS	Shallow (110 mm depth)	XXX,-
MAGBOLSTERSTD	Standard (160 mm depth)	XXX,-
MAGBOLSTERD	Deep (220 mm depth)	XXX,-
MAGNOBOLSTER	No bolster	XXX,-

Rehab Back Insert Lumbar		€
MAGLUMBARS	Shallow (12 mm insert)	XXX,-
MAGLUMBARSTD	Standard (25 mm insert)	XXX,-
MAGLUMBARD	Deep (35 mm insert)	XXX,-
MAGNOLUMBAR	No lumbar	XXX,-

Insert Back Clamps		€
MAG3495	Standard, fixed clamps	XXX,-
MAG3492-PI	Quick Release	XXX,-

Push Handles		€
MAG0057-PI	MPS Push Rail	XXX,-
MAGPRHA	MPS Height adjustable handles	XXX,-
MAG0056-WOKOR-2	MPS Peg handles	XXX,-
MAG46354636	Rehab peg handles	XXX,-

Backrest Bag Hooks		€
MAG5724	MPS Bag hooks (pair) on backrest	XXX,-
MAG5723	Rehab Bag hooks (J-shaped) on spreader bar	XXX,-

Headrest - All Types		€
MPS Headrest		
MAG2770VI	MPS Headrest, MPS Mount, Fabric to match backrest Mounting As For Car Seat Headrests, With Fabric Cover	XXX,-
Rehab Headrest		
MAGREHABSTD	Magic Rehab Standard	XXX,-
MAGREHABWIDE	Magic Rehab Wide	
Headrest Mount (for REHAB headrests only)		
MAG4113	2 AXIS (single stem, 2 pivot points)	XXX,-
MAG4114	3 AXIS (single stem, 3 pivot points)	XXX,-
MAG4115	MULTI AXIS (single stem)	XXX,-

Rehab Headrest		€
MAGFABRICHR	Fabric	XXX,-
MAGVINYLHR	Vinyl	XXX,-

Armrest – Types		€
MAG3572	Pair - standard armrest, single stem	XXX,-
MAG3994	Pair - standard armrest, double stem	XXX,-
MAGFLEXIARM	Pair - flexi armrest	XXX,-
MAG6503-6502	Pair - flexi armrest with locked position	XXX,-
MAG3331-6500	Pair - flexi armrest with locking post Locking Post Attached To Seat Rail	XXX,-
MAG3727-6501	Pair - flexi armrest with locking post and drop down	XXX,-

Armrest – Heights											
MAGAH220MM	220 mm	MAGAH260MM	260 mm	MAGAH300MM	300 mm	MAGAH340MM	340 mm	MAGAH380MM	380 mm		
MAGAH230MM	230 mm	MAGAH270MM	270 mm	MAGAH310MM	310 mm	MAGAH350MM	350 mm	MAGAH390MM	390 mm		
MAGAH240MM	240 mm	MAGAH280MM	280 mm	MAGAH320MM	320 mm	MAGAH360MM	360 mm				
MAGAH250MM	250 mm	MAGAH290MM	290 mm	MAGAH330MM	330 mm	MAGAH370MM	370 mm				

Armpad – Style		€
MAGAP75-WOKOR-2	75 mm armpads	XXX,-
MAG3971-3972	MPS armpads	XXX,-
MAG3712	MPS flip-out armpads	XXX,-
MAGAP50-2	50 mm armpads	XXX,-
MAG6711	Waterfall armpads	XXX,-
MAG3775	Gutter armpads	XXX,-
MAG6750	Gutter armpads with elbow support pad	XXX,-
MAG6751	Gutter armpads with hand pad	XXX,-
MAG6752	Gutter armpads with hand pad and elbow support pad	XXX,-

Armpad – UPH		€
MAGAPVINYL	Vinyl	XXX,-
MAGAPFABRIC	Fabric	XXX,-

Armrest Bag Hooks		€
MAGHOOKA2RH	Right Side Armrest baghooks	XXX,-
MAGHOOKA2LH	Left Side Armrest baghooks	XXX,-

Footplate Height									
MAGLL300MM	300 mm		MAGLL340MM	340 mm	MAGLL380MM Not with MAG6552 Seat Height Leave as is	380 mm		MAGLL420MM Not with MAG6552 Seat Height Leave as is	420 mm
MAGLL310MM	310 mm		MAGLL350MM	350 mm	MAGLL390MM Not with MAG6552 Seat Height Leave as is	390 mm		MAGLL430MM Not with MAG6552 Seat Height Leave as is	430 mm
MAGLL320MM	320 mm		MAGLL360MM	360 mm	MAGLL400MM Not with MAG6552 Seat Height Leave as is	400 mm			
MAGLL330MM	330 mm		MAGLL370MM	370 mm	MAGLL410MM Not with MAG6552 Seat Height Leave as is	410 mm			

Legrest – Choice		€
MAGCPLEGREST	Centre Post legrest	XXX,-
MAGCPOWER	Centre Mount Power elevating legrest Not Available With Fixed Tilt MAG3502-KIT	XXX,-
MAG3528	Swingaway legrest	XXX,-
MAG3527-ME	Manual Elevating Swingaway legrest	XXX,-
MAG3526-ME	Power Elevating Swingaway legrest Not Available With Fixed Tilt MAG3502-KIT	XXX,-

Footplate		€
MAG4055FIX	Centre Post: 1 piece fixed footplate (footplate width 325 mm)	XXX,-
MAG4055	Centre Post: 1 piece flip up footplate (footplate width 260 mm)	XXX,-
MAG4055-2	Centre Post: 2 piece flip up footplate (footplate width 260 mm)	XXX,-
MAG4755	CMPE: 1 piece flip up	XXX,-
MAG4755-2	CMPE: 2 piece flip up	XXX,-
MAGFLIPUP	2 piece flip up Only For Swing Away Legrests	XXX,-

Footplate Options							
MAG4312	Swingaway footplate lock Only For Swing Away Legrests					XXX,-	
MAG4260	Abduction block (neoperene)					XXX,-	
Calf Support						€	
MAGCALFSUPPORT	Calf support standard Selection not necessary with MAGCPOWER, Is always included with MAGCPOWER					XXX,-	
Knee Pads						€	
MAG4247	Knee pads					XXX,-	
MAGKPCMPE	Knee pads for CMPE					XXX,-	
MAG4660	Knee pads for non-elevating swingaway legrests					XXX,-	
MAG4104	Knee pads for elevating swingaway legrests					XXX,-	
Lap Belt						€	
MAG4973-MPS-4974-R	Standard Posture belt	500 mm	600 mm	700 mm	800 mm	XXX,	
MAG4973-4974-PBPAD	Standard Posture belt with 2 posture belt pads	500 mm	600 mm	700 mm	800 mm	XXX,	
MAG6540	4 point seat belt (PB4P)	500 mm	600 mm	700 mm	800 mm	XXX,	
MAG6540-2XPBPAD-4	4 point seat belt with 2 posture belt pads	500 mm	600 mm	700 mm	800 mm	XXX,	
MAG4730	Retractable lap belt (for rehab seat)					XXX,	
	MAGLBLH	Left sided buckle			XXX,		
	MAGLBRH	Right sided buckle			XXX,		
MAG4731	Retractable lap belt (for MPS seat)					XXX,	
	MAGLBLH	Left sided buckle			XXX,		
	MAGLBRH	Right sided buckle			XXX,		
Thoracic Support (pad and mount)						€	
MAG1506	Adjustable brackets (MPS back)					XXX,-	
MAG4943	Adjustable brackets (MPS insert back)					XXX,-	
Hip Pads - In Vinyl						€	
MAGHPKIT	Hip pads on adjustable brackets (pair)					XXX,-	
Harness						€	
MAGHARP	Harness pediatric					XXX,-	
MAGHARQ	Harness standard					XXX,-	
Controller – R-Net						€	
MAGPG-JSMLEDL	Basic LED JSM (no colour screen)					XXX,-	
MAGPG-JSM-PI	Colour Screen JSM					XXX,-	
MAGPG-JSM2IRL	Colour screen JSM2 + IR only					XXX,-	
MAGPG-JSMIRBT	Colour screen JSM2 + Bluetooth + IR					XXX,-	
Display Language Selection							
MAG119000	German	MAG119004	Portuguese	MAG119008	Norwegian	MAG119012	Czech
MAG119001	English	MAG119005	Italian	MAG119009	Swedish	MAG119013	Slovak
MAG119002	French	MAG119006	Dutch	MAG119010	Greek	MAG119014	Polish
MAG119003	Spanish	MAG119007	Belgium	MAG119011	Finnish		

Control+5 Module		€
MAG158709	CTRL+5 Switch Module (button)	XXX,-
MAG158708	CTRL+5 Switch Module (Toggle style)	XXX,-
Control+5 Location		€
MAG5430	On the armrest, same side as joystick	XXX,-
MAG5431	On the armrest, opposite side to joystick	XXX,-
MAG5432	Attendant (rear mounted)	XXX,-
Joystick Knob Option		€
MAGKNOBSTD	Standard joystick knob	XXX,-
MAGPG-KS80	Stick S80	XXX,-
MAGPG-KCHIN	Chin C38	XXX,-
MAGPG-KB32	Ball B32	XXX,-
MAGPG-KB38	Ball B38	XXX,-
MAGPG-KM48	Mushroom M48	XXX,-
MAGPG-KTBAR	T-Bar T80	XXX,-
MAGPG-KSB70	Soft Ball SB70	XXX,-
Joystick Position		€
MAGJSRIGHT	Joystick Right	XXX,-
MAGJSLEFT	Joystick Left	XXX,-
MAGPGCYPGC2.03725	Interchangeable to Left and Right	XXX,-
MAG3330JSM-RH	Mount JSM as an attendant control - Right (MPS back)	XXX,-
MAG3330JSM-LH	Mount JSM as an attendant control - Left (MPS back)	XXX,-
MAG3329JSM-RH	Mount JSM as an attendant control - Right (Rehab back)	XXX,-
MAG3329JSM-LH	Mount JSM as an attendant control - Left (Rehab back)	XXX,-
Swingback Options		€
MAG110050	Joystick Mounting, Fixed	XXX,-
MAG3083-KIT-OS	Swingback joystick to the outside (with magnets)	XXX,-
MAG3083-KIT-IS	Swingback joystick to the inside (with magnets)	XXX,-
MAG3082-KIT-OS	Swingback joystick to the outside (with locking latch)	XXX,-
MAG3082-KIT-IS	Swingback joystick to the inside (with locking latch)	XXX,-
Joystick Mounting Position		€
MAG4980	Height Adjustable Joystick Stem - for standard joystick stem	XXX,-
MAG3713	Height Adjustable Joystick Stem - for swingback joystick stem	XXX,-
MAG3729STD	Quick release stem (for standard joystick stem only)	XXX,-
MAG3729SB	Quick release stem (with swingback)	XXX,-
Speciality Controls		€
MAG5436	Omni2	XXX,-
MAG3391	JSM, Omni2 + Head control	XXX,-
MAG3335-MPS4550-LH	JSM, Omni2 + Chin control (Left)	XXX,-
MAG3335-MPS4550-RH	JSM, Omni2 + Chin control (Right)	XXX,-
MAGPG-OMNISCANNER	Omni2 Enhanced 6-way scanner (single switch feature)	XXX,-
	Omni2 location	
	MAGOMNILH: Omni2 location, Left	MAGOMNIRH: Omni2 location, Right

Attendant Control		€
MAG3330AM-KIT	Attendant control module for MPS back	XXX,-
MAG3329AM-KIT	Attendant control module for Rehab back	XXX,-
	Attendant Control	
	MAGACLH: Attendant Control, Left	MAGACRH: Attendant Control, Right

Accessories		€
MAG4471	RAM® Cup holder	XXX,-
MAG4627	Magic Mobility Steel cup holder Drink Holder (Always Mounted On The Opposite Side Of The Control Panel/Table)	XXX,-
MAG4478	Magic Mobility Steel cup and phone holder (combined)	XXX,-
MAG4705	Accessory charger (1x12V + 2xUSB) - side rail mounted, same side as joystick	XXX,-
MAG6629	Accessory charger (2xUSB) - side rail mounted, opposite to joystick	XXX,-
MAG4801	Accessory charger (2xUSB) - armrest mounted, same side as joystick	XXX,-
MAG6594	Accessory charger (2xUSB) - armrest mounted, opposite to joystick	XXX,-
MAG5360	Loud horn	XXX,-
MAG4834	A4 Accessory bag (mounted on the backrest)	XXX,-
MAG4834RH	A4 Armrest bag (mounted on the right armrest)	XXX,-
MAG4834LH	A4 Armrest bag (mounted on the left armrest)	XXX,-
MAG4834-2	A4 Armrest bags (mounted on the left and right armrest)	XXX,-
MAG5320RHI	A5 Armrest bag (mounted internally, right armrest)	XXX,-
MAG5320LHI	A5 Armrest bag (mounted internally, left armrest)	XXX,-
MAG5320RHE	A5 Armrest bag (mounted externally, right armrest)	XXX,-
MAG5320LHE	A5 Armrest bag (mounted externally, left armrest)	XXX,-
MAG48345320I	A4 & A5 Armrest bags (A4 joystick side, A5 internal facing)	XXX,-
MAG48345320	A4 & A5 Armrest bags (A4 joystick side, A5 external facing)	XXX,-
MAG5699	Additional Armrest Receiver needed if more accessories should be mounted	XXX,-
MAGCOVER	Wheelchair cover	XXX,-

Clear Tables		€
MAG2677	Swingaway small table, 320 x 240mm not with MAGPGCYPGC2.03725, interchangeable joystick mount	XXX,-
MAG7700	Swingover table with magnet	XXX,-

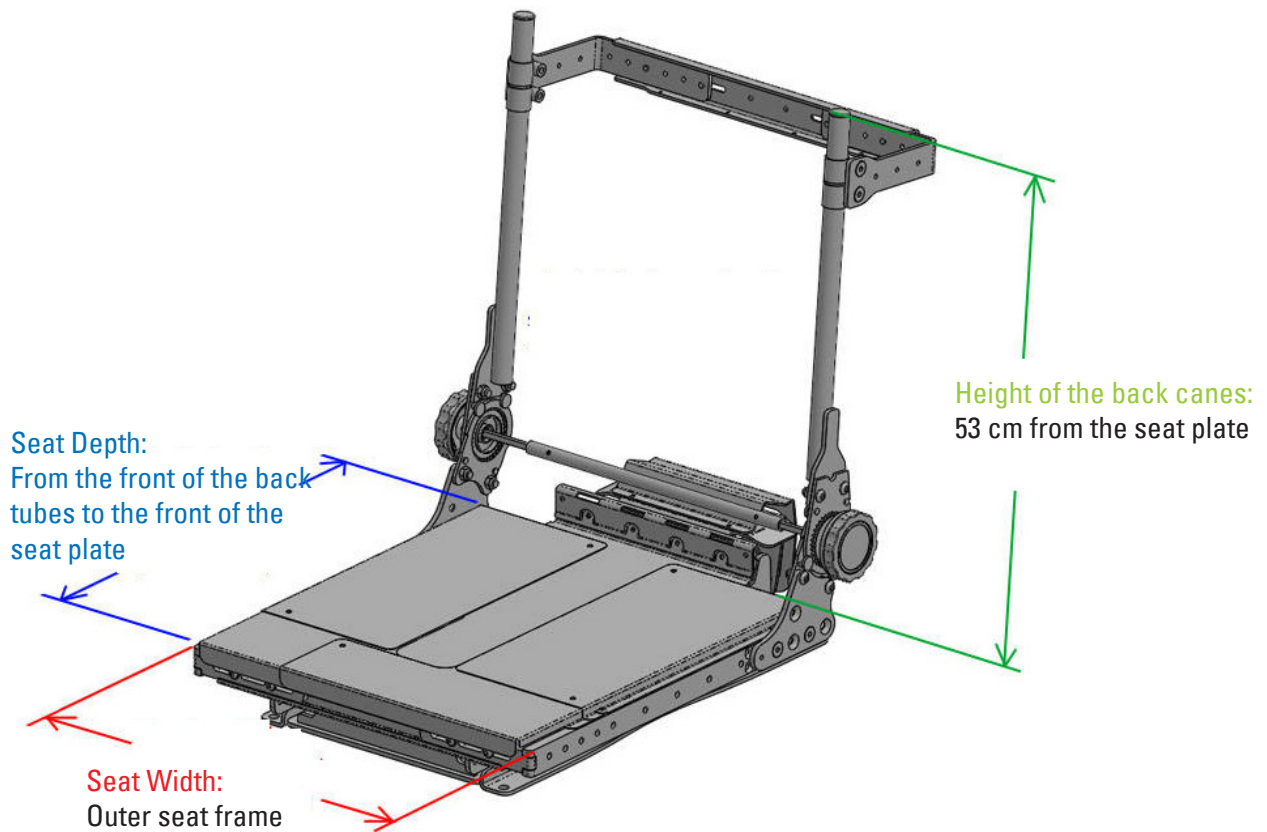
Dimension Matrix MPS-SEAT

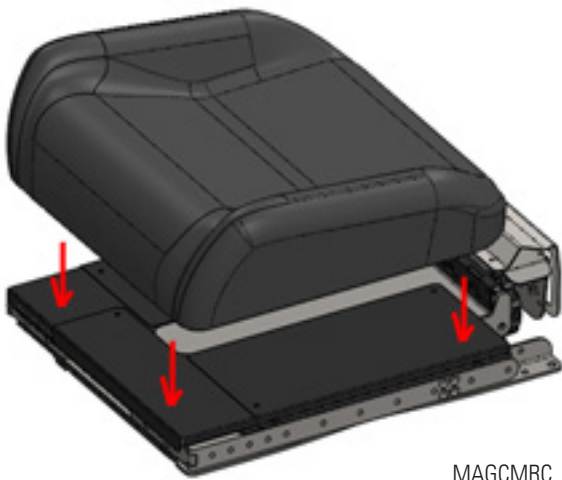
◀ BACK



Dimension Matrix REHAB-SEAT

◀ BACK



Seat Cushion For Rehab Seat**◀ BACK**

MAGCMRC

Backrest for Rehab Seat Pan**◀ BACK**

MAGMPSBACKREHAB

MAGIC REHAB INSERT SIZE

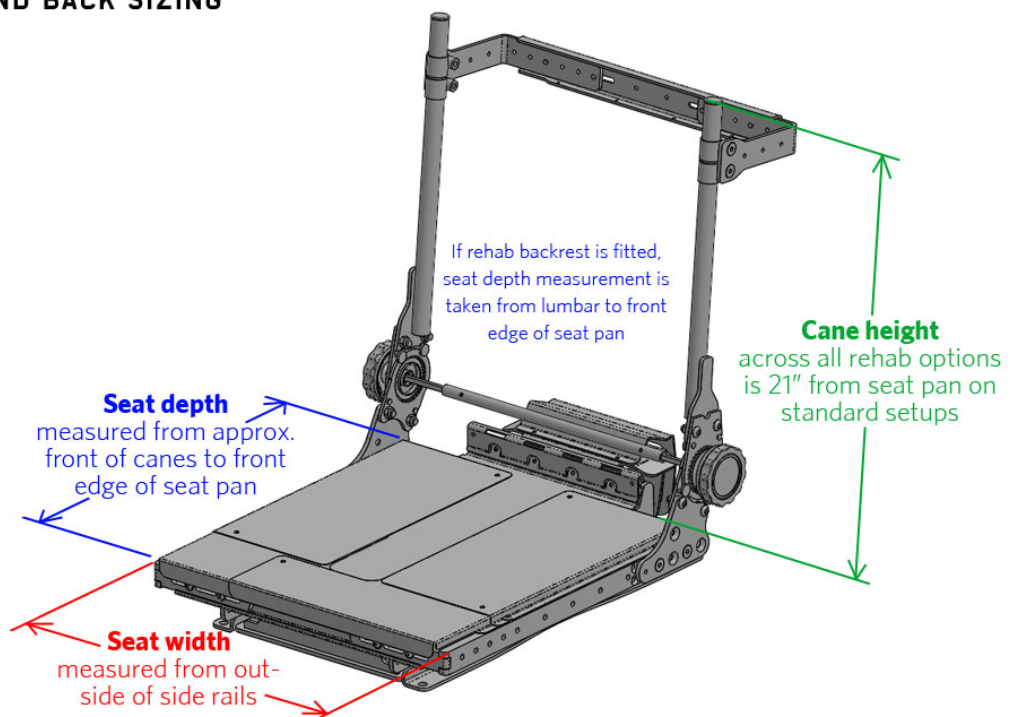


Chest Width 'C'	Height 'Y' (mm)
330-470mm	
Large (Xtra tall)	530
Large	480
Large (Short)	430
280-420mm	
Medium (Xtra tall)	530
Medium	480
Medium (Short)	430
260-400mm	
Junior (Xtra tall)	410
Junior	350

- Bolsters can be mounted upside down for increased armpit support
- Bolster heights can be offset up and down, up to 25mm between each side (asymmetric)

© Magic Mobility 2016

REHAB SEAT AND BACK SIZING



© Magic Mobility 2016

Colors

[← BACK](#)

Drive Wheels

[← BACK](#)

XT4



BLACK PNEUMATIC

OFF-ROAD

- Soft ride with good shock absorption
- Best traction on all surfaces
- 700mm base width
- Tyre Liner available

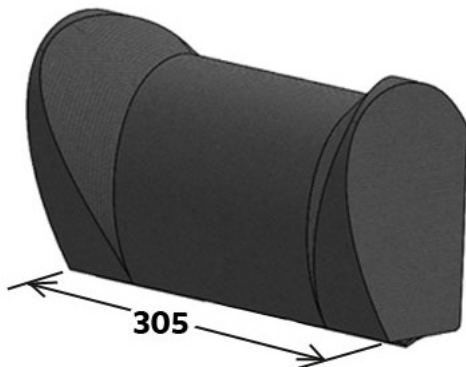
MAGIC 360 PUNCTURE RESISTANCE**NEVERFLAT**

- Offers good puncture protection for pneumatic tyres

Liner fits in between tube and tyre, providing a robust protective barrier

**PUNCTURE RESISTANT KIT**
(WITH PNEUMATIC OFF-ROAD & CROSSOVER TYRES)

- Offers comprehensive protection against glass, tacks, thorns, etc.
 - Produced with aramid fibre and natural rubber
 - Filled with Neverflat to give extra protection
- Can be retrofitted to all Magic Mobility chairs with knobby tyres

**MPS HEADREST**

Armrests

← BACK

ARMREST TYPE (1)



Open camlock to remove arm

STANDARD

Note: 25mm of extra adjustment is added to bottom



Front leg clips off mount for easy release

Open camlock to remove arm

DOUBLE STEM
For bariatric users



Flexi arms for rehab backs shown here

FLEXI

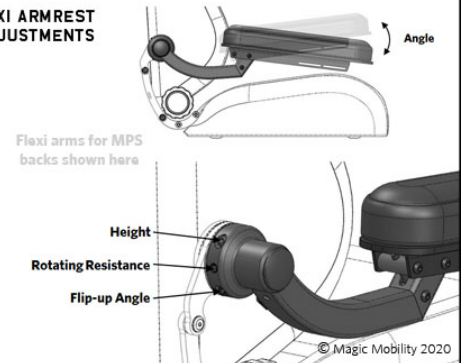
Flip-up, paralleling

Note: Depending on requested armrest height the Flexi arms will be assembled using slightly different parts. Therefore the range for each armrest will not be the full 220-440mm:

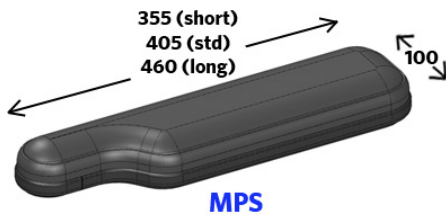
Requested Height	Actual Range (Flexis on MPS back)	Requested Height	Actual Range (Flexis on Rehab back)
220-330mm	220-370mm	220-330mm	180-360mm
340-370mm	250-400mm	340-440mm	275-440mm
380-440mm	330-440mm		



FLEXI ARMREST ADJUSTMENTS



ARMPADS

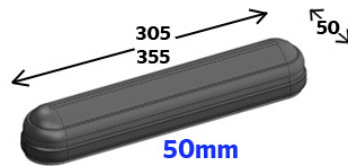


MPS

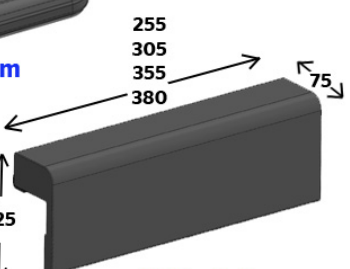


MPS Flip-out

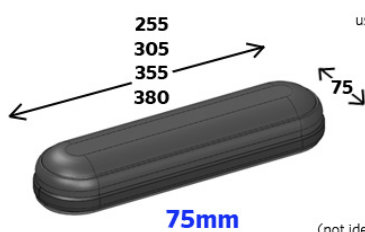
Allows the arm pads to be in tight to the user while still allowing flip up (Flexi arms only)



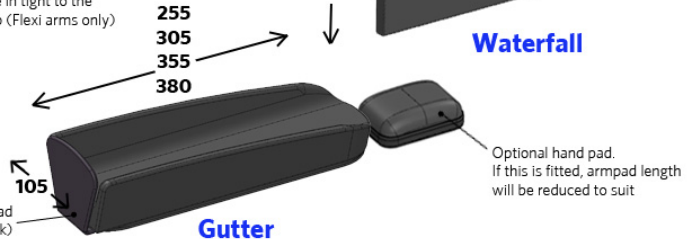
50mm



Waterfall



75mm



Gutter

Optional elbow support pad (not ideal when used with MPS back)

Optional hand pad. If this is fitted, armpad length will be reduced to suit

If **MPS, 50mm, 75mm, gutter or waterfalls** armpads are selected, the length of armpad fitted will generally be based on the seat depth. See below table for details. If specific armpad length is required please state this on order form

SEAT DEPTH ▶	12"	13"	14"	15"	16"	17"	18"	19"	20"	21"	22"	23"	24"
50mm Arm Pad	255	255	305	305	305	355	355	355	380	380	380	380	380
75mm Arm Pad	-50mm not available-												
Gutter Arm Pad	-50mm not available-												
Waterfall Arm Pad	-50mm not available-												
MPS Arm Pad	-	-	-	-	355	355	405	405	460	460	460	460	460

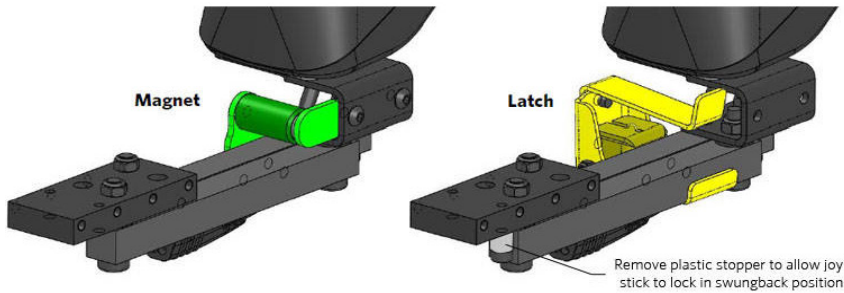
← Armpad length

← Armpad length



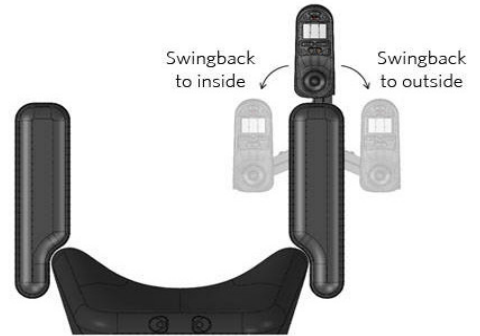
Joystick Mounting

◀ **BACK**



Swingback Joystick Release Options

Magnet	Latch
<ul style="list-style-type: none"> Requires more force but no dexterity to release Can potentially release if wheelchair is being driven erratically or over rough terrain Releases more easily if impacted 	<ul style="list-style-type: none"> Requires minimal force but some dexterity to release Will stay locked at all times unless latch is pushed Less likely to release if impacted, potentially causing more damage Can be locked in fully swung-back position (optional) Custom levers can be screwed to latch to make releasing it easier for clients with less hand movement



JOYSTICK STEM OPTIONS



65mm downwards adjustment from default position. Adjust height by releasing star knob



65mm downwards adjustment from default position. Adjust height with 3mm Allen key



HEIGHT ADJUSTABLE JOYSTICK STEM



QUICK RELEASE MOUNT

Joystick Knobs

◀ **BACK**



FOOTPLATE SELECTION



1 PIECE FLIP UP



2 PIECE FLIP UP



1 PIECE FIXED

Fastening bolts can be removed to allow footplate to flip up if required in the future



2 PIECE FIXED
Can adjust each footplate to a different angle

- Frontier V6 All Terrain & Hybrid

- Extreme X8

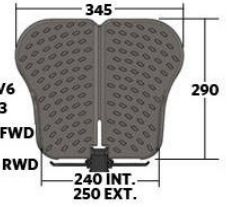
Note: large footplate will be fitted wherever possible



- Frontier V6 C40 & C73

- Frontier V4 FWD

- Frontier V4 RWD

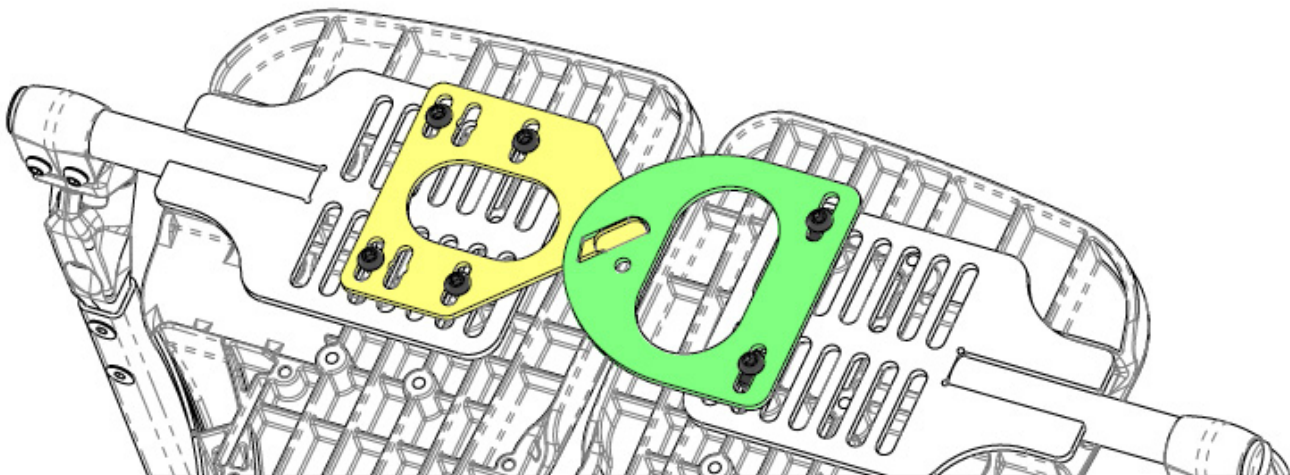


SHORT FOOTPLATES



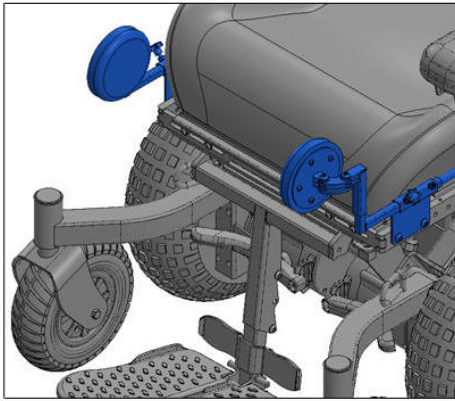
© Magic Mobility 2016

Legrest MK2 Footplate Lock

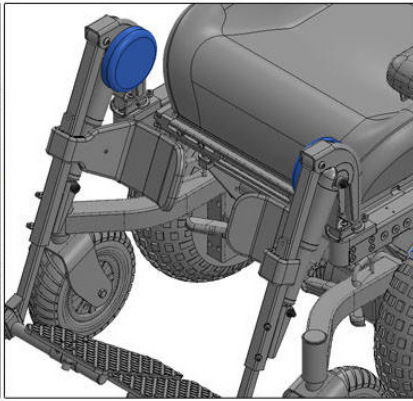


Knee Pads

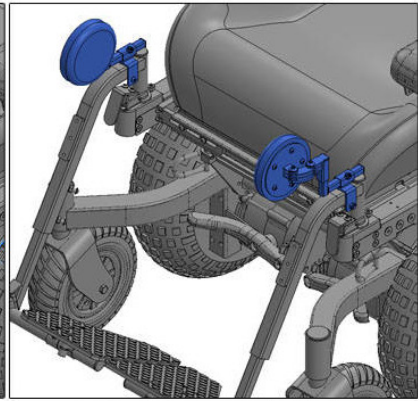
◀ BACK



**Centre mount legrest
(fixed and power elevating)**
3 axes of adjustment



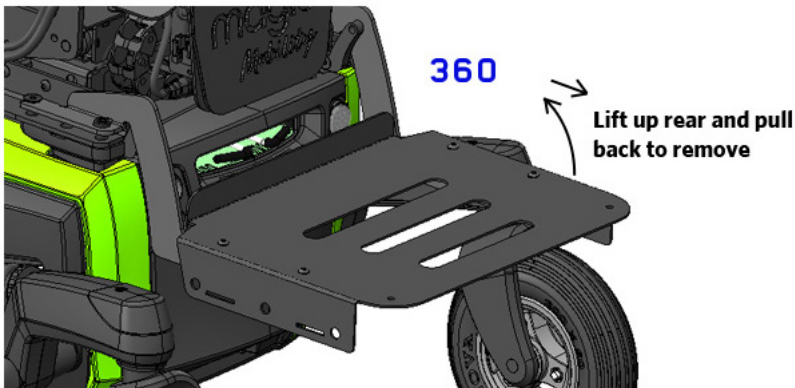
Power or gas swingaway legrest
Fixed kneepad attached to legrest pivot



Standard swingaway legrest
3 axes of adjustment

Rear Boot Plate

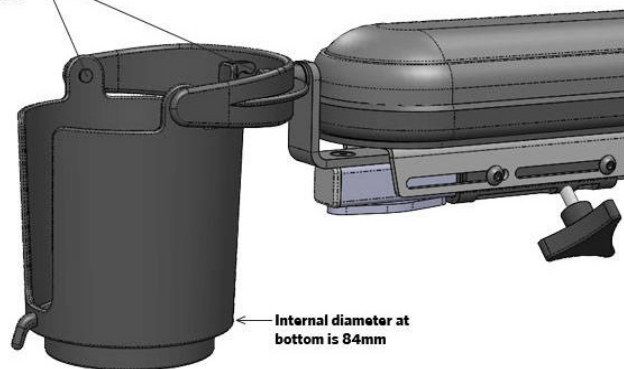
◀ BACK



Cup Holder

◀ BACK

Gimbal configuration allows cup to stay flat when tilting and when driving on bumpy surfaces



If swingaway legrests are fitted the cup holder mount bracket may be offset higher to avoid top of legrest (depending on armrest height)

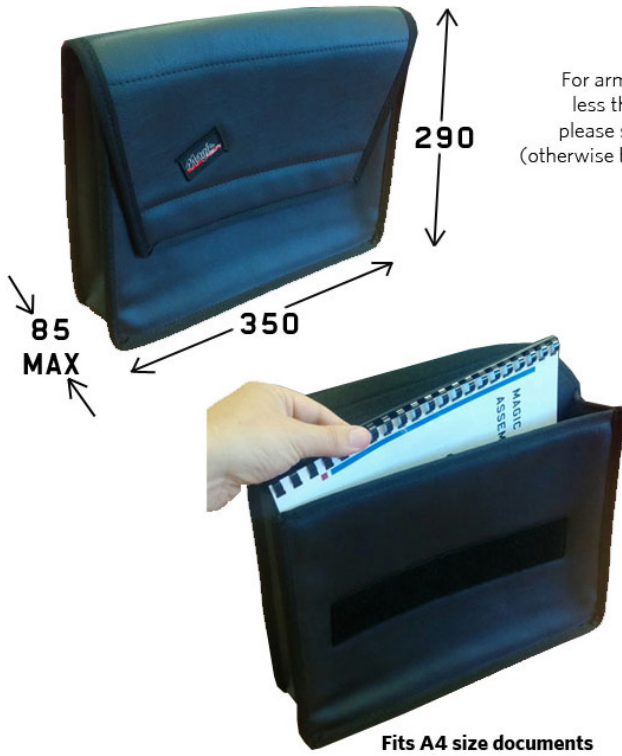


Note: Previous cup holder can be fitted if required. See option on order form.



Armrest Bag

◀ **BACK**



For armrest heights less than 320mm please select A5 bag (otherwise bag sits on wheel)



Mounts under armrest
(unless otherwise requested)

If swingback joystick is selected it is generally more suitable to fit accessory bag to opposite side

© Magic Mot

Table Options

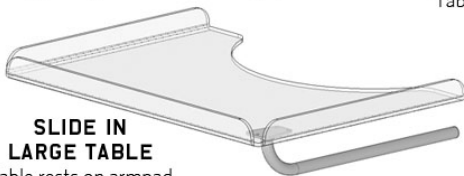
◀ **BACK**

TABLE OPTIONS

Clear polycarbonate table shown below. Black HD plastic is also available (typically without folded edges)

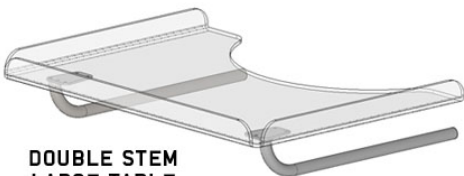
Unless a drawing has been supplied with specifications for cut out sizes for stomach and joystick, the slide in and swingover tables will be provided as a kit

Table stem slides into opposite side to joystick



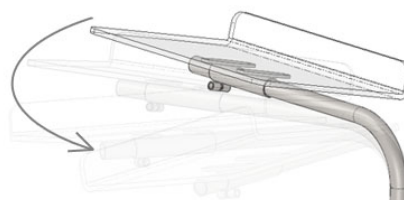
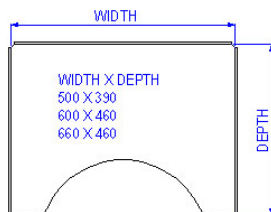
SLIDE IN LARGE TABLE

Table rests on armpad opposite to stem



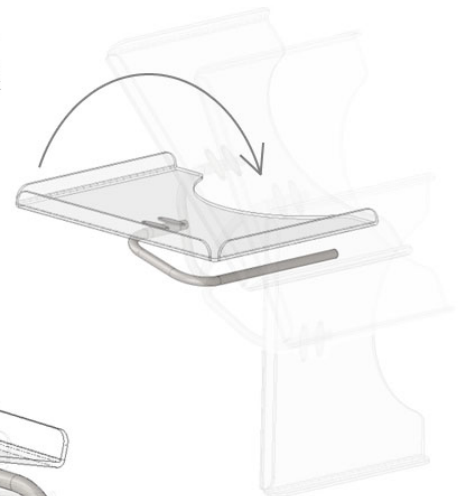
DOUBLE STEM LARGE TABLE

For chairs with attendant control ONLY (no joystick)



SWINGAWAY SMALL TABLE

Width 320 x Depth 240



SWINGOVER LARGE TABLE

Table rests on both armpads

© Magic Mobility 2016

Comments

--

XT4

€

Base Price	<input type="text"/>
Total Of Additional Equipment	<input type="text"/>
Packaging And Transport	<input type="text"/>
Exclusive VAT	<input type="text"/>
VAT	<input type="text"/>
Total Price	<input type="text"/>

Date**Signature**

Day Month Year

**Sunrise Medical GmbH**

Kahlbachring 2-4
 69254 Malsch/HD
 Tel: +49 (0) 7253-9800
 Fax: +49 (0) 7253-980111
 E-Mail: export@sunrisemedical.de
www.SunriseMedical.eu