

QUICKIE®

Think BIG - think M6...

M6



Think BIG - think M6...

Heavyweight technology

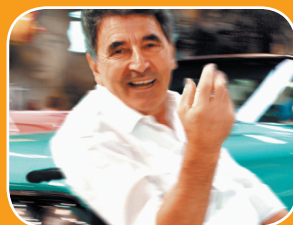
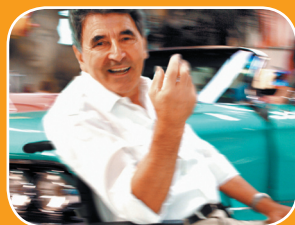
Wide range of seat widths up to 75 cm with
295 kg capacity
Integrated double cross brace

Backrest features

Four adjustable backrest heights with stabilizer
bar for added rigidity
Compatible with JAY 2 Plus positioning back and
cushion (max. user weight 294 kg)

Wide Bariatric option range

Range of rear wheels and castors
Desk and full length armrest
4 rear wheel positions
Range of legrests including elevating



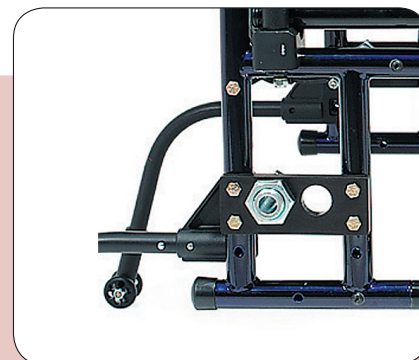
Technical details:



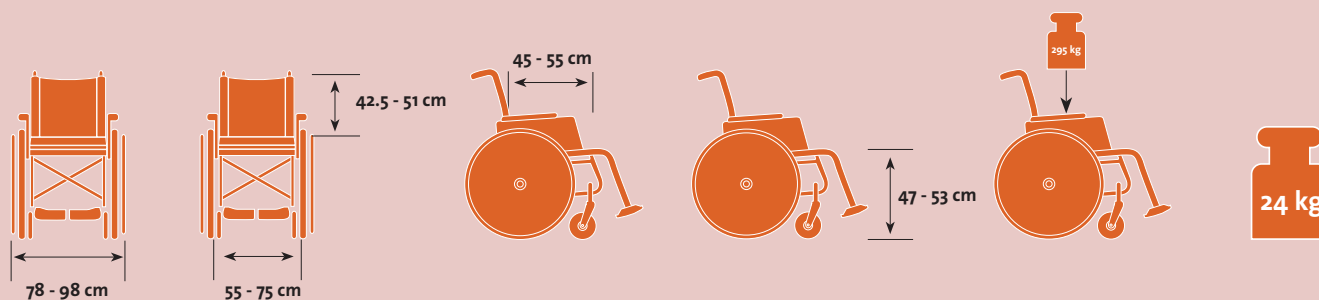
Adjustable back height is available for four heights for optimal positioning



The stabilizer bar reinforces the backrest for rigidity and improved positioning



The adjustable axle plate allows two centre of gravity positions and two heights by simply changing the castor size



Seat depth:	45 - 55 cm	Backrest height:	42.5 - 51 cm
Seat width:	55 - 75 cm	Total chair weight:	24 kg*
Seat height:	47 - 53 cm	Approved user weight:	295 kg

For further information on the full specification, options and accessories, please refer to the order form. All information is subject to change without notification. Please consult Sunrise Medical with any queries you may have.

* Total chair weight from 14.5 kg in the lightest configuration

STLPSTM

Sunrise Training and Education Programmes

KNOWLEDGE FOR THE FUTURE

B4M

**SUNRISE
MEDICAL**

Sunrise Medical GmbH
Kahlbachring 2-4
D-69254 Malsch/Heidelberg
Tel.: +49 (0) 72 53 / 9 80-0
Fax: +49 (0) 72 53 / 9 80-111
www.sunrisemedical.eu