



Technical / News Bulletin

UK

BULLETIN NO.:

TB UK 131

DATE ISSUED

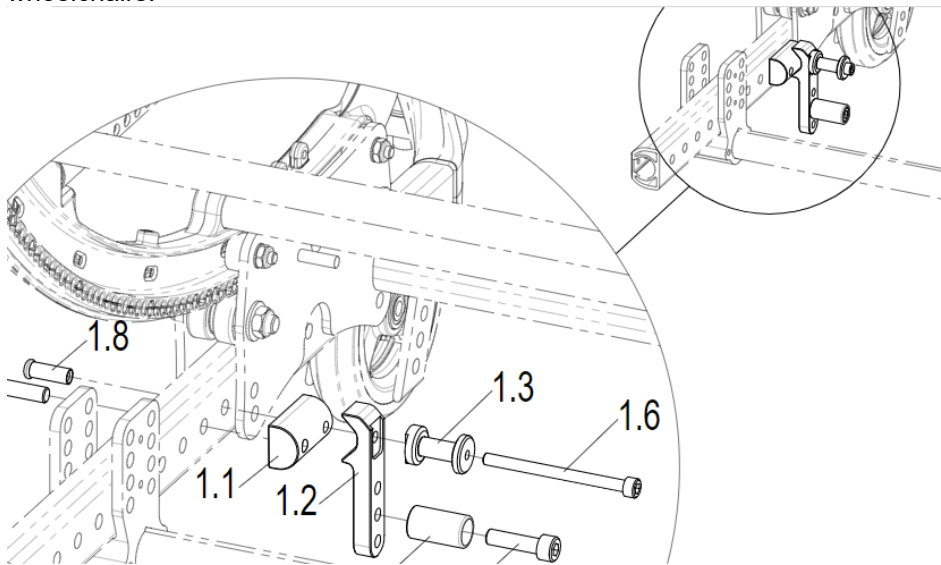
01/12/19

BULLETIN DETAILS

Product Group:	Empulse		
Models Affected:	R20		
Effective Date:	01/03/2020	Serial No. Effective From:	N/A
Bulletin Subject:	R20 IRIS Docking Now Available		

Following the successful launch of the Empulse R20, we have received many requests to fit the device onto a wider range of chairs. This does not just extend to external manufacturers, but includes chairs within our own range too.

To that end, we have now introduced a bracket to allow the R20 to be attached to the Quickie and Zippie IRIS tilt-in-space wheelchairs.



This will allow the benefits of the R20 to reach a wider range of clients.

The new part number for this bracket is 07501141, and it can be ordered as standard on the order form. The current docking arm matrix is unaffected by this change.

For more information, please contact your Area Sales Manager

Please refer to www.sunrisemedical.co.uk, or contact your Area Sales Manager for more information

Literature Affected:

Website:	N.A
Order forms:	Yes
Owner's Manual:	N.A
Parts Manual:	N.A

If you have any questions regarding this bulletin, please do not hesitate to contact:

Customer Services	Customer Support	Technical Service Centre	E-mail
Telephone:	+44 (0)845 605 66 88	+44 (0)845 605 66 88	enquiries@sunmed.co.uk
Fax:	+44 (0)845 605 66 89	+44 (0)845 605 66 89	technical@sunmed.co.uk