

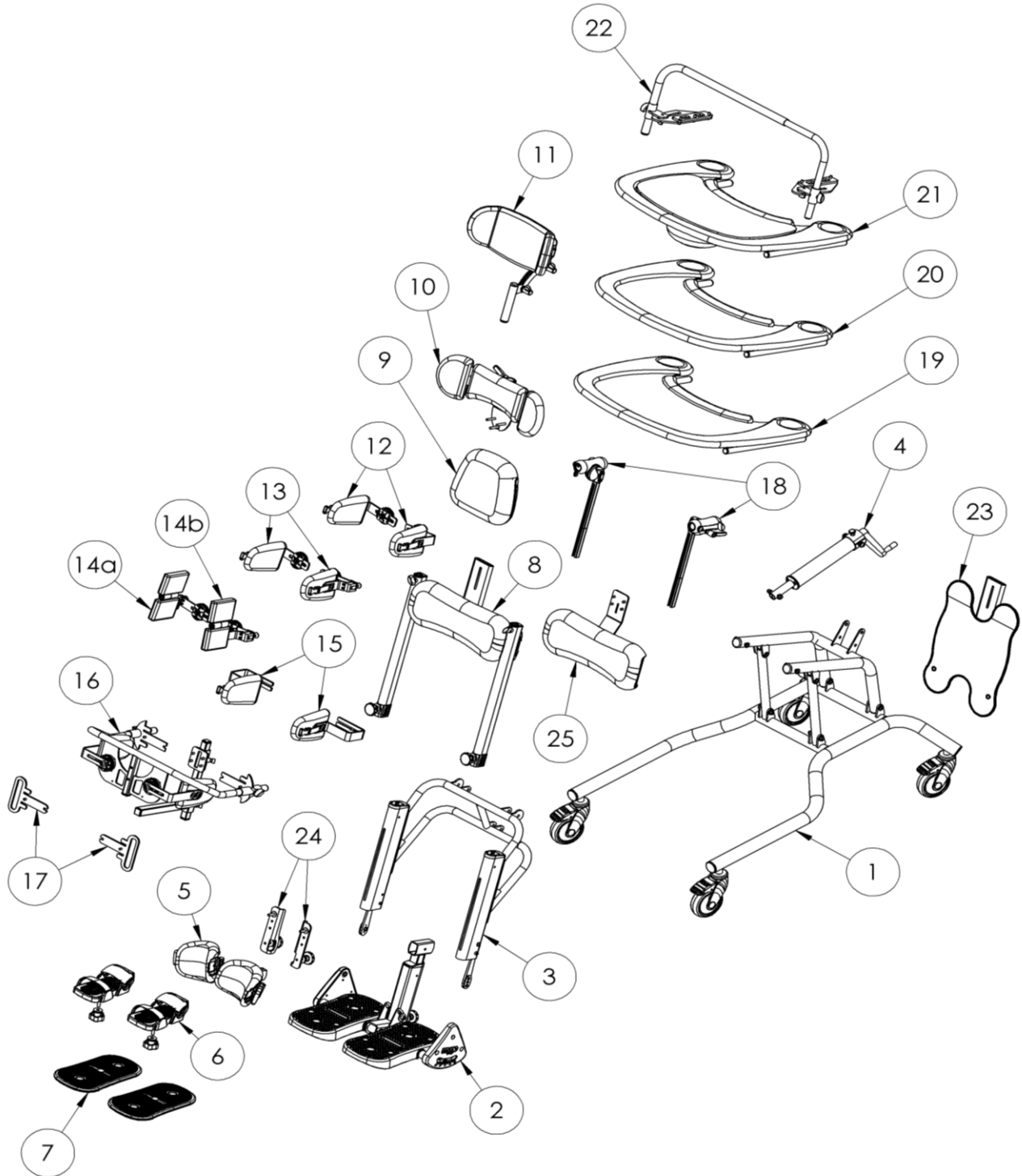
Mygo Stander Spare Parts Catalogue



Contents

03-04	Mygo Stander
5	Chassis Assembly
6	Footplate Assembly
7	Stander Frame Assembly
8	Linear Drive
9	Knee Assembly
10	Mygo Stander Sandals
10B	Mygo Stander Sandals (2015)
11	Hip Assembly
12	Chest Pad Assembly
13	Shoulder Assembly
14	Contoured Headrest
15	Chest Lateral Assembly (Pair)
16	Flip Away Chest Laterals Assembly (Pair)
17	Complex Chest Laterals Assembly (L/R)
18	Hip Lateral Assembly (Pair)
19	Posterior Support (Inc. Pommel)
20	Hip Derotation Belt Hardware
21	Tray Reciever Assembly
22	Tray Assembly
23	Grab Rail
24	Pommel Retrofit Kit
25	Hip Infill Pad

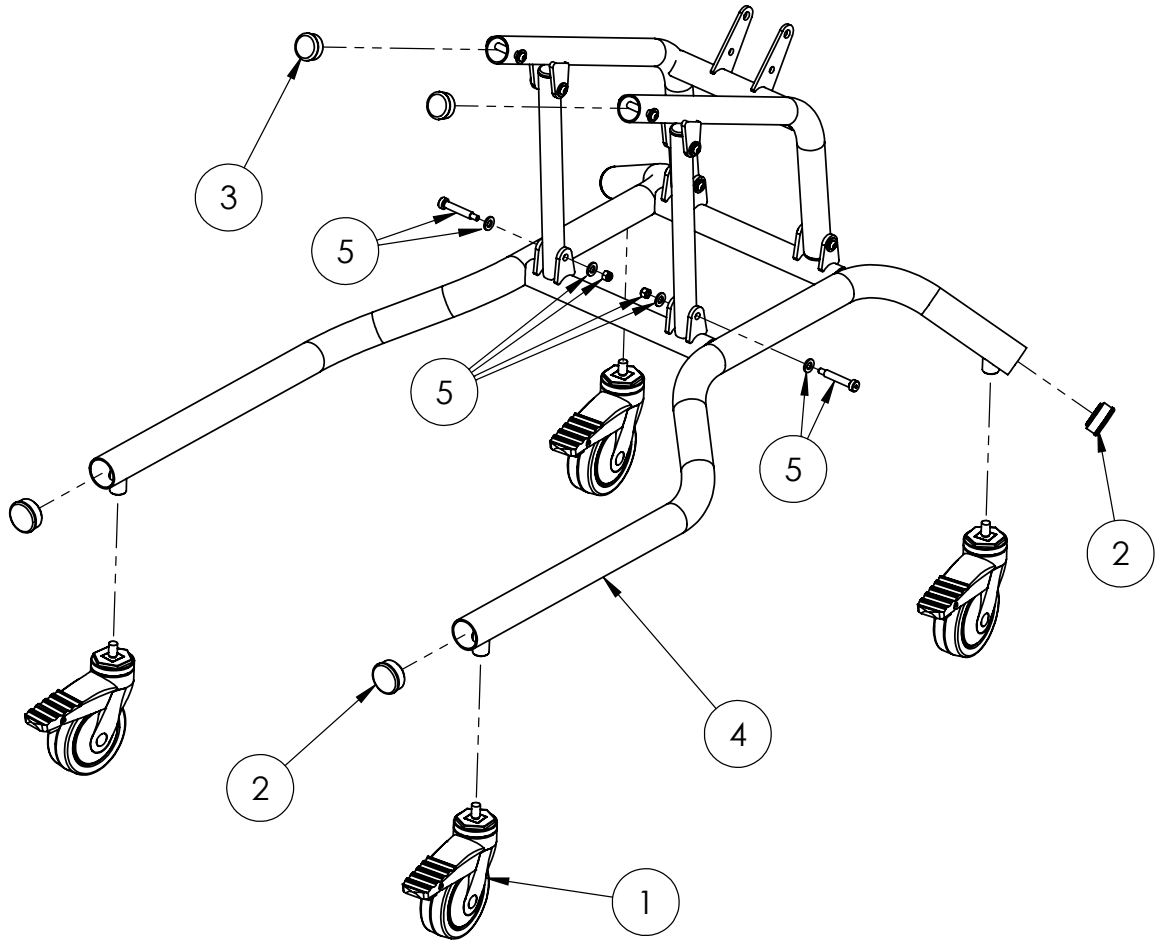
Mygo Stander



Mygo Stander

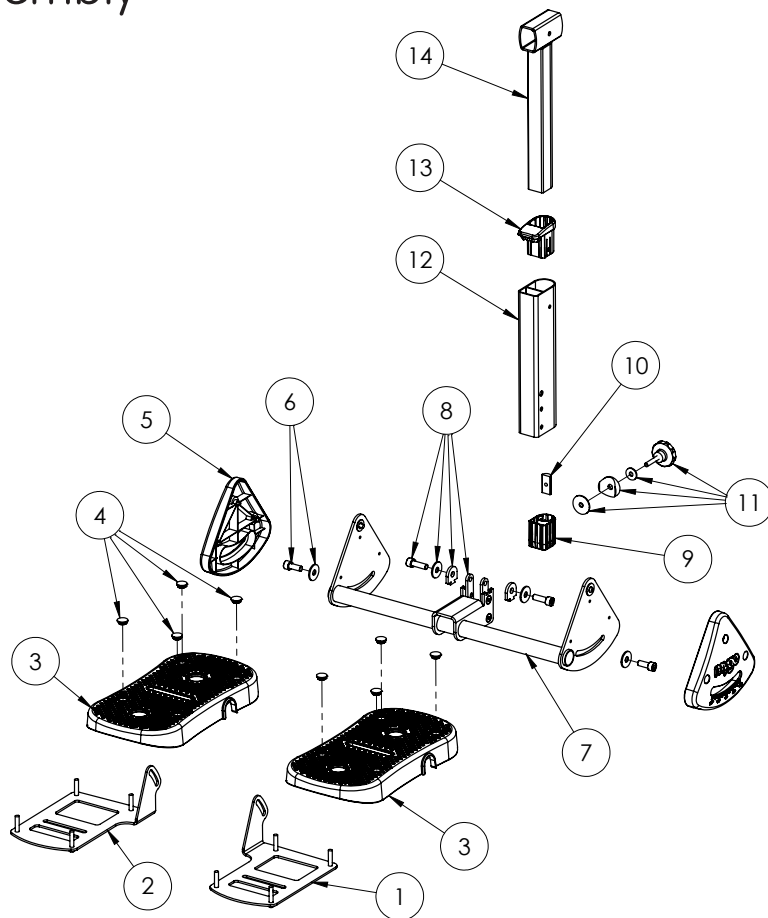
Pos.	Leckey Code	Description	Qty	Compatible with	
				Size 1	Size 2
1	143-x627	Chassis Assembly	1	✓	✓
2	143-x607	Footplate Assembly	1	✓	✓
3	143-x608	Stander Frame Assembly	1	✓	✓
4	143-1640	Linear Drive	1	✓	✓
5	143-x606	Knee Assembly	1	✓	✓
6	143-x707	Sandals	1	✓	✓
	152-x600	Sandals (2015)	1	✓	✓
7	143-1615	Sandal Raiser	1	✓	✓
8	143-x620	Hip Assembly	1	✓	✓
9	143-x626	Chest Pad Assembly	1	✓	✓
10	143-1638	Shoulder Assembly	1	✓	✓
11	137-699-05	Contoured Headrest	1	✓	✓
12	143-x619	Chest Lateral Assembly	1	✓	✓
13	143-1675	Flip Away Chest Lateral Assembly	1	✓	✓
14a	143-1673	Complex Chest Lateral Assembly - RHS	1	✓	✓
14b	143-1674	Complex Chest Lateral Assembly - LHS	1	✓	✓
15	143-1663	Hip Lateral Assembly	1	✓	✓
16	143-x624	Posterior Support Assembly (Inc. Pommel)	1	✓	✓
17	143-9074	Hip Derotation Belt Hardware	1	✓	✓
18	143-1647	Tray Reciever Assemblies	1	✓	✓
19	143-x609	Standard Tray	1	✓	✓
20	143-x610	Tray with Clear Insert	1	✓	✓
21	143-x633	Tray with Bowl	1	✓	✓
22	143-1649	Grab Rail	1	✓	✓
23	143-x699	Pommel Retrofit Kit	1	✓	✓
24	143-1690	Knee Height Extentions	1	✓	✓
25	143-1666	Hip Infill Pad	1	✓	✓

Chassis Assembly



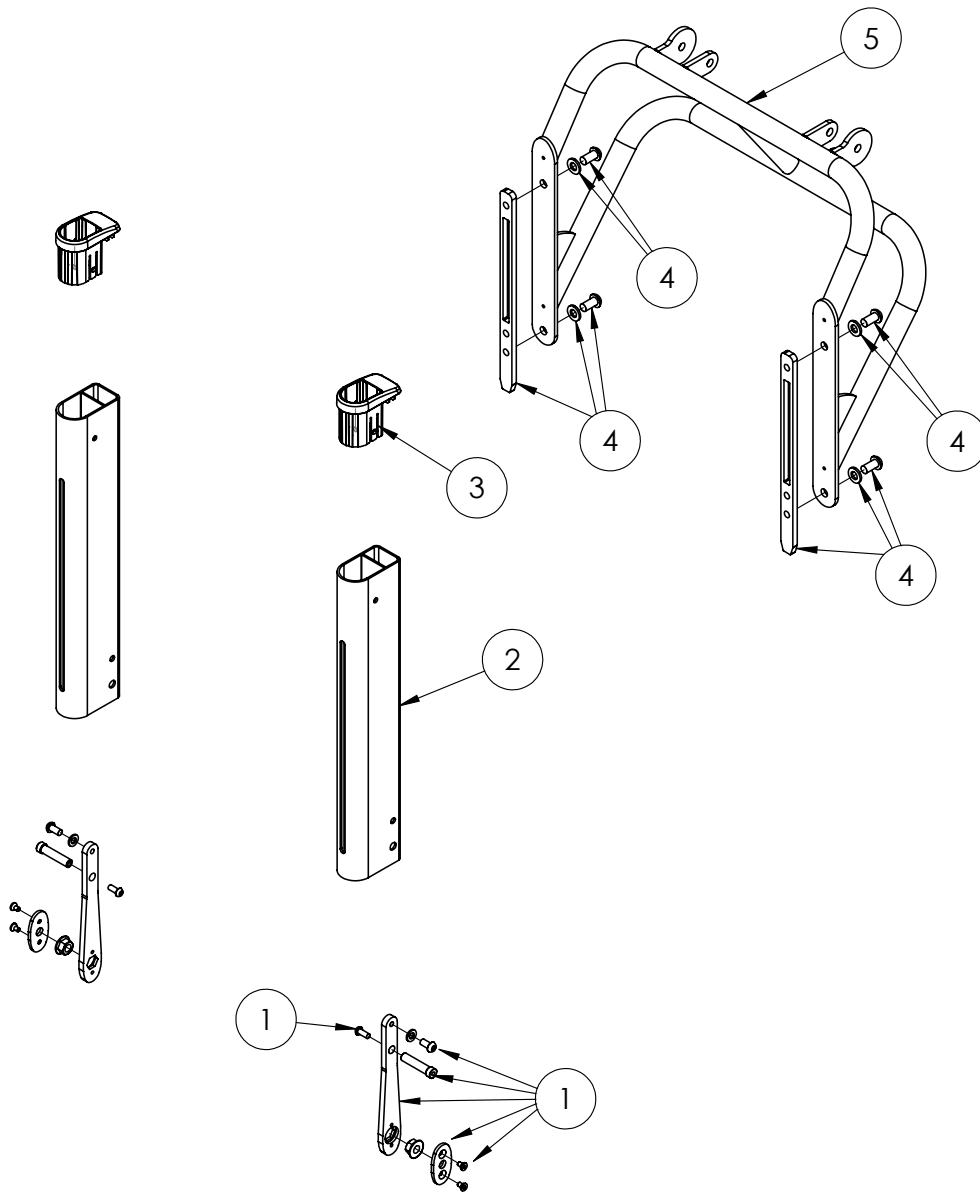
Pos.	Leckey Code	Description	Qty	Compatible with	
				Size 1	Size 2
1	IA13	BLACK "LECKEY" TANG	4	✓	✓
2	SF56	1-1/2" RIBBED TUBE	4	✓	✓
3	SH62	1 1/4" ROUND BLACK	4	✓	✓
4	143-9000	CHASSIS ASSEMBLY - SIZE 1	1	✓	
4	143-9002	CHASSIS ASSEMBLY - SIZE 2	1		✓
5	143-9001	CHASSIS FIXINGS KIT	1	✓	✓

Footplate Assembly



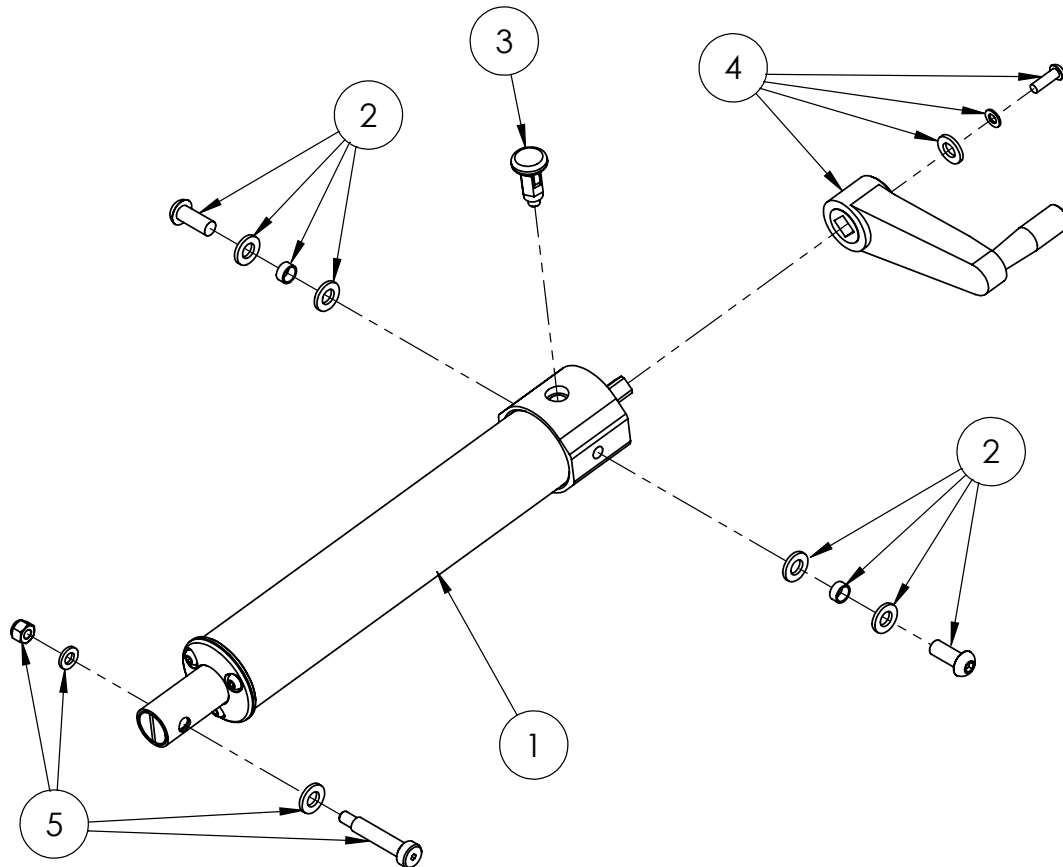
Pos.	Leckey Code	Description	Qty	Compatible with	
				Size 1	Size 2
1	143-9003	FOOTPLATE ANGLE ASSY - LHS	1	✓	✓
2	143-9004	FOOTPLATE ANGLE ASSY - RHS	1	✓	✓
3	143-9005	FOOTPLATE ASSEMBLY	2	✓	✓
4	118-153	ORB KNOB CAP	8	✓	✓
5	143-9006	FOOTREST SHROUD ASSY	2	✓	✓
6	143-9007	FOOTPLATE ANGLE ADJUST FIXINGS KIT	1	✓	✓
7	143-9008	FOOTPLATE SUPPORT ASSY - SIZE 1	1	✓	
7	143-9011	FOOTPLATE SUPPORT ASSY - SIZE 2	1		✓
8	143-9009	FOOTPLATE SUPPORT FIXINGS KIT	1	✓	✓
9	143-1189	HIP TUBE BOTTOM BUSH	1	✓	✓
10	101-1901-XX	CALF LOCKING PLATE	1	✓	✓
11	143-9010	KNEE HEIGHT ADJUSTMENT FIXINGS KIT	1	✓	✓
12	143-1115	KNEE POST OUTER	1	✓	
12	143-2115	KNEE POST OUTER	1		✓
13	143-1110	EXTRUSION TOP AND BUSH	1	✓	✓
14	143-1616	KNEE POST WELD ASSY	1	✓	✓

Stander Frame Assembly



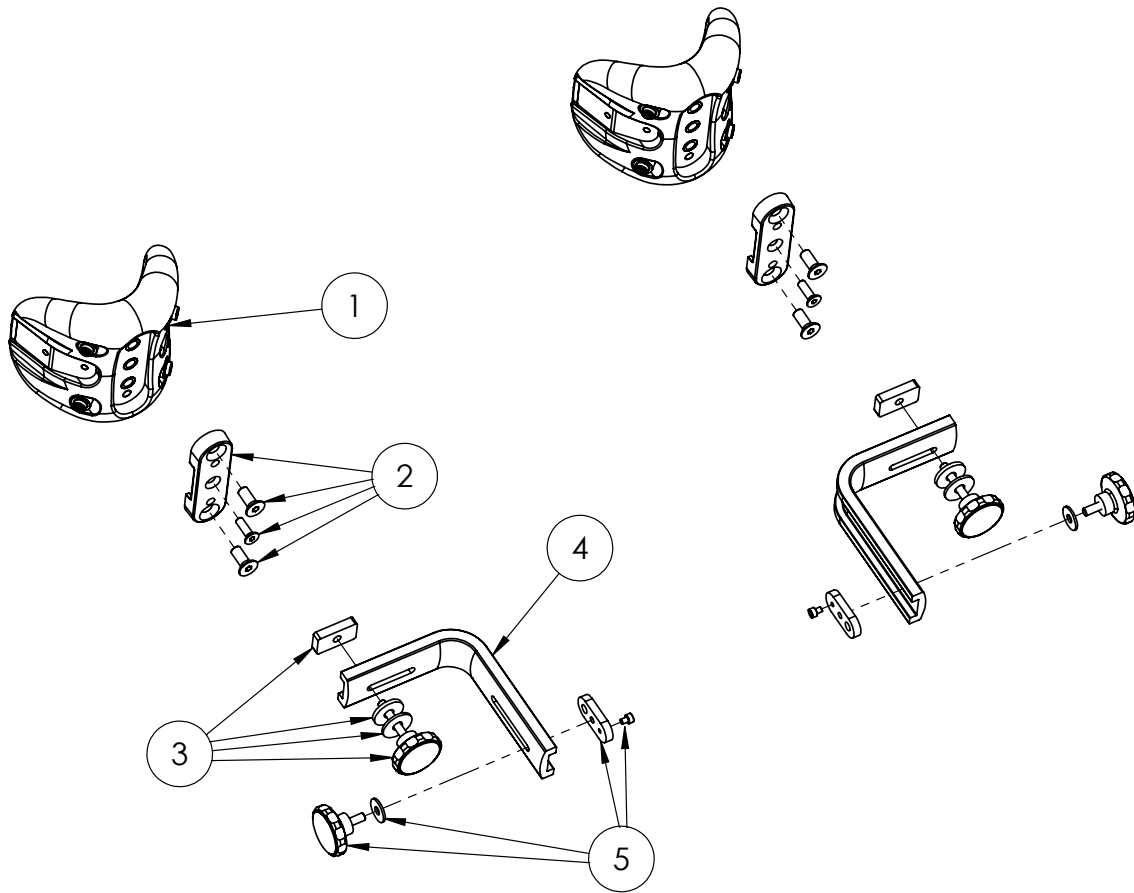
Pos.	Leckey Code	Description	Qty	Compatible with	
				Size 1	Size 2
1	143-9012	FOOTPLATE HINGE FIXINGS KIT	2	✓	✓
2	143-1108	SIDE EXTRUSION - SIZE 1	2	✓	
2	143-2108	SIDE EXTRUSION - SIZE 2	2		✓
3	143-1110	EXTRUSION TOP AND BUSH	2	✓	✓
4	143-9013	FRAME ASSY FIXINGS KIT	2	✓	✓
5	143-1612	CROSS BAR WELD ASSY - SIZE 1	1	✓	
5	143-2612	CROSS BAR WELD ASSY - SIZE 2	1		✓

Linear Drive



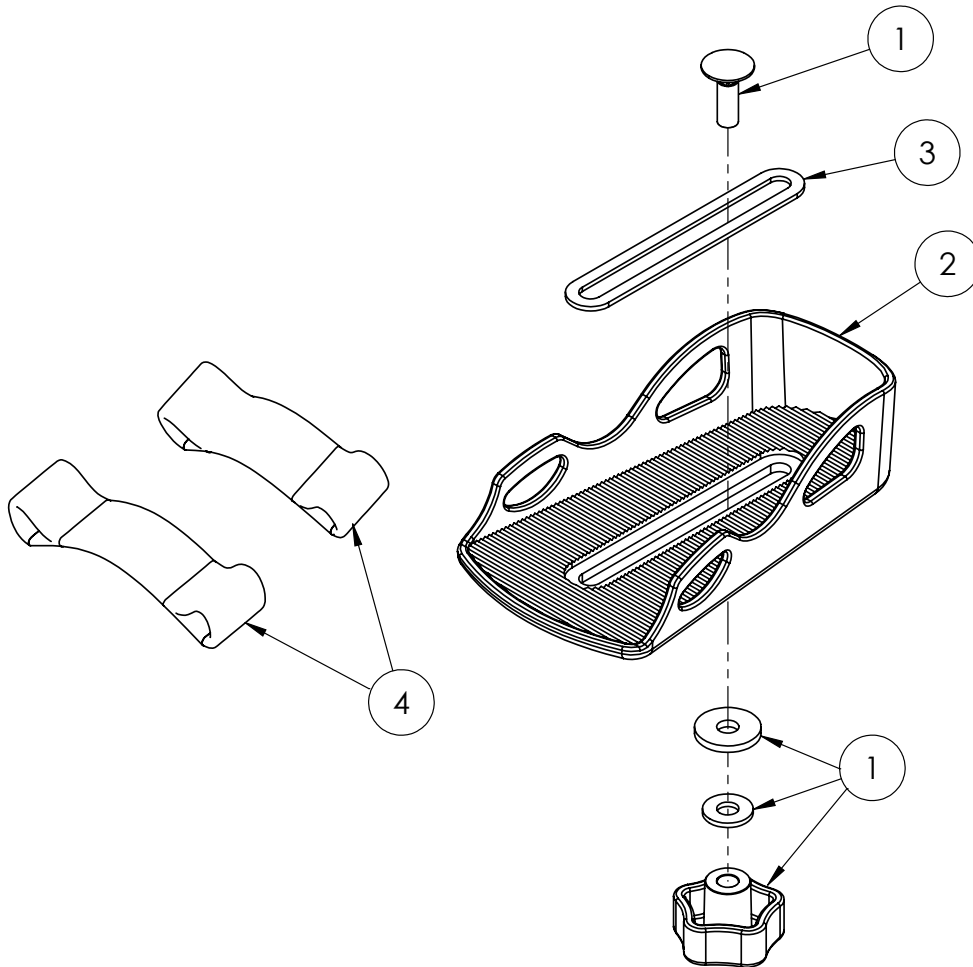
Pos.	Leckey Code	Description	Qty	Compatible with	
				Size 1	Size 2
1	143-9014	LINEAR DRIVE ASSEMBLY	1	✓	✓
2	143-9015	PIVOT FIXINGS KIT	1	✓	✓
3	IA19	PULL PIN	1	✓	✓
4	143-9016	HANDLE ASSEMBLY	1	✓	✓
5	143-9017	CHASSIS INTERFACE FIXINGS KIT	1	✓	✓

Knee Assembly



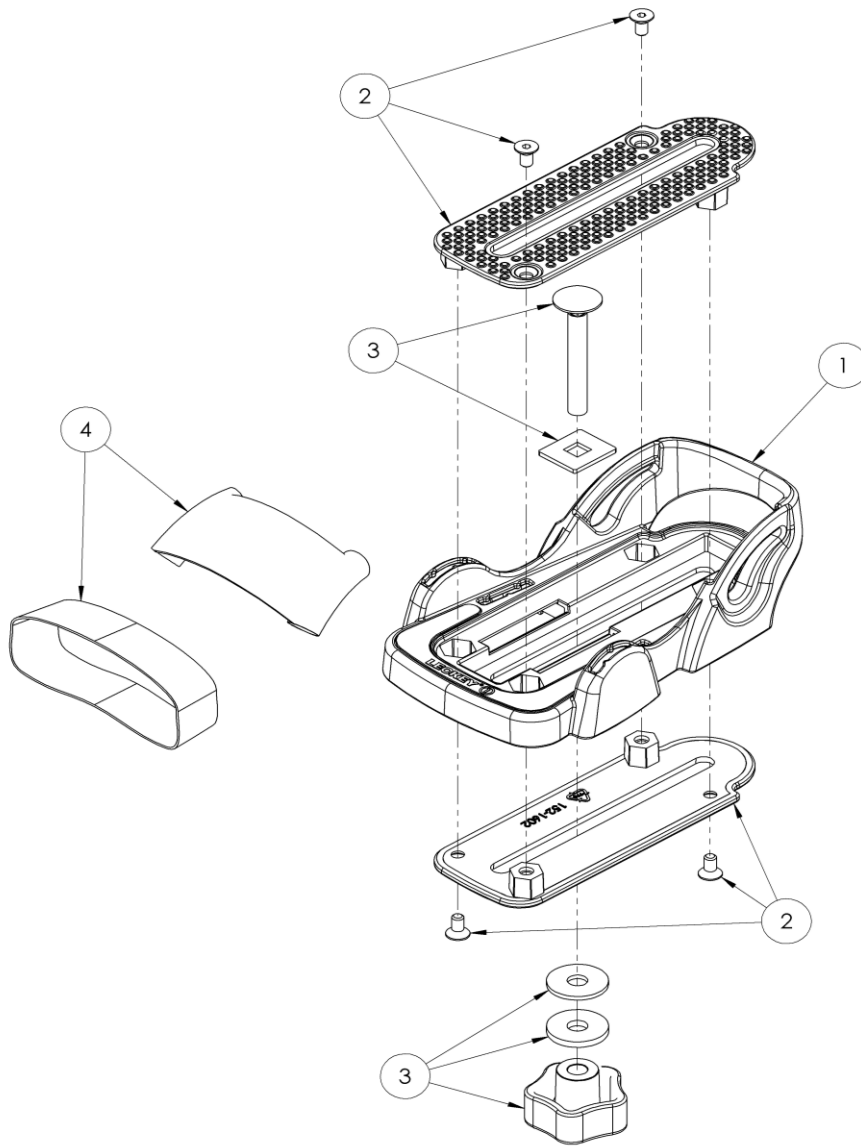
Pos.	Leckey Code	Description	Qty	Compatible with	
				Size 1	Size 2
1	143-9018	KNEE PU ASSEMBLY - SIZE 1	2	✓	
1	143-9022	KNEE PU ASSEMBLY - SIZE 2	2		✓
2	143-9019	KNEE STRAP FIXING ASSEMBLY	2	✓	✓
3	143-9020	KNEE ADJUSTMENT FIXINGS KIT	2	✓	✓
4	143-1190	KNEECUP EXTRUSION	2	✓	✓
5	143-9021	KNEE SLIDER FIXINGS KIT	2	✓	✓
6	143-1825	KNEE STRAP ASSY (NOT SHOWN)	2	✓	✓

Mygo Stander Sandals



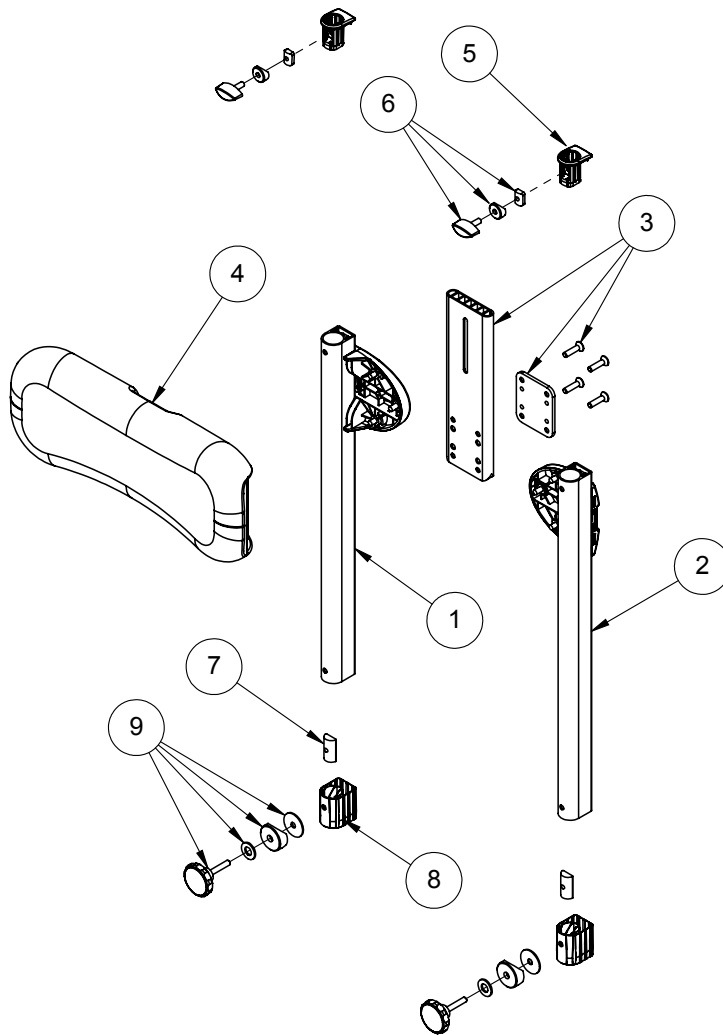
Pos.	Leckey Code	Description	Qty	Compatible with	
				Size 1	Size 2
1	143-9034	SANDAL FIXINGS KIT	2	✓	✓
2	102-1707	SANDAL ASSY - SIZE 1	2	✓	
2	102-2707	SANDAL ASSY - SIZE 2	2		✓
3	117-290	REINFORCEMENT PLATE	2	✓	✓
4	120-765	SANDAL STRAP KIT - SIZE 1	2	✓	
4	120-766	SANDAL STRAP KIT - SIZE 2	2		✓

Sandals (2015)



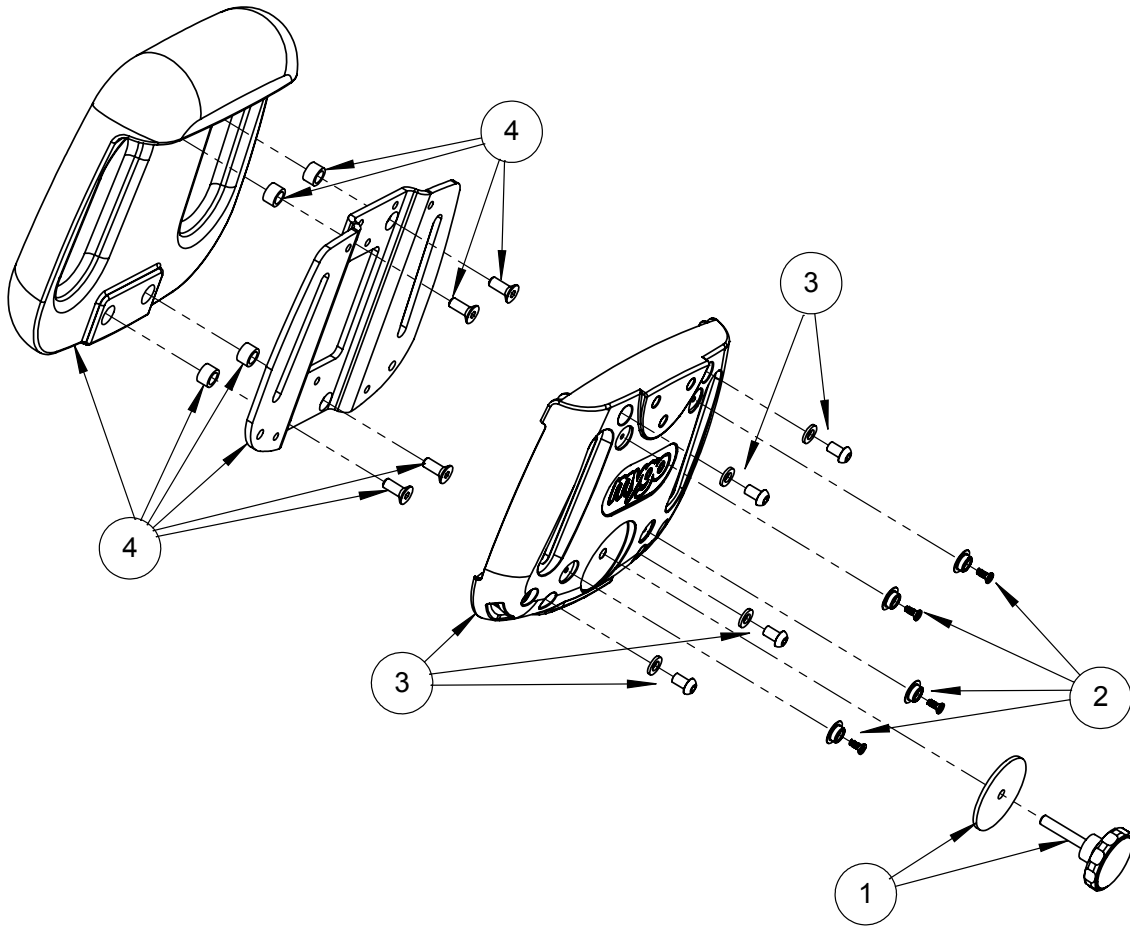
Pos.	Leckey Code	Description	Qty	Compatible with		
				Size 1	Size 2	Size 3
1	152-1700	SANDAL MOULDING S1	1	✓		
1	152-2700	SANDAL MOULDING S2	1		✓	
1	152-3700	SANDAL MOULDING S3	1			✓
2	152-1701	SANDAL LID & SCREWS	1	✓	✓	✓
3	152-1702	SANDAL ATTACHMENT KIT	1	✓	✓	✓
4	152-1703	SANDAL STRAPS S1	1	✓		
4	152-2703	SANDAL STRAPS S2	1		✓	
4	152-3703	SANDAL STRAPS S3	1			✓

Hip Assembly



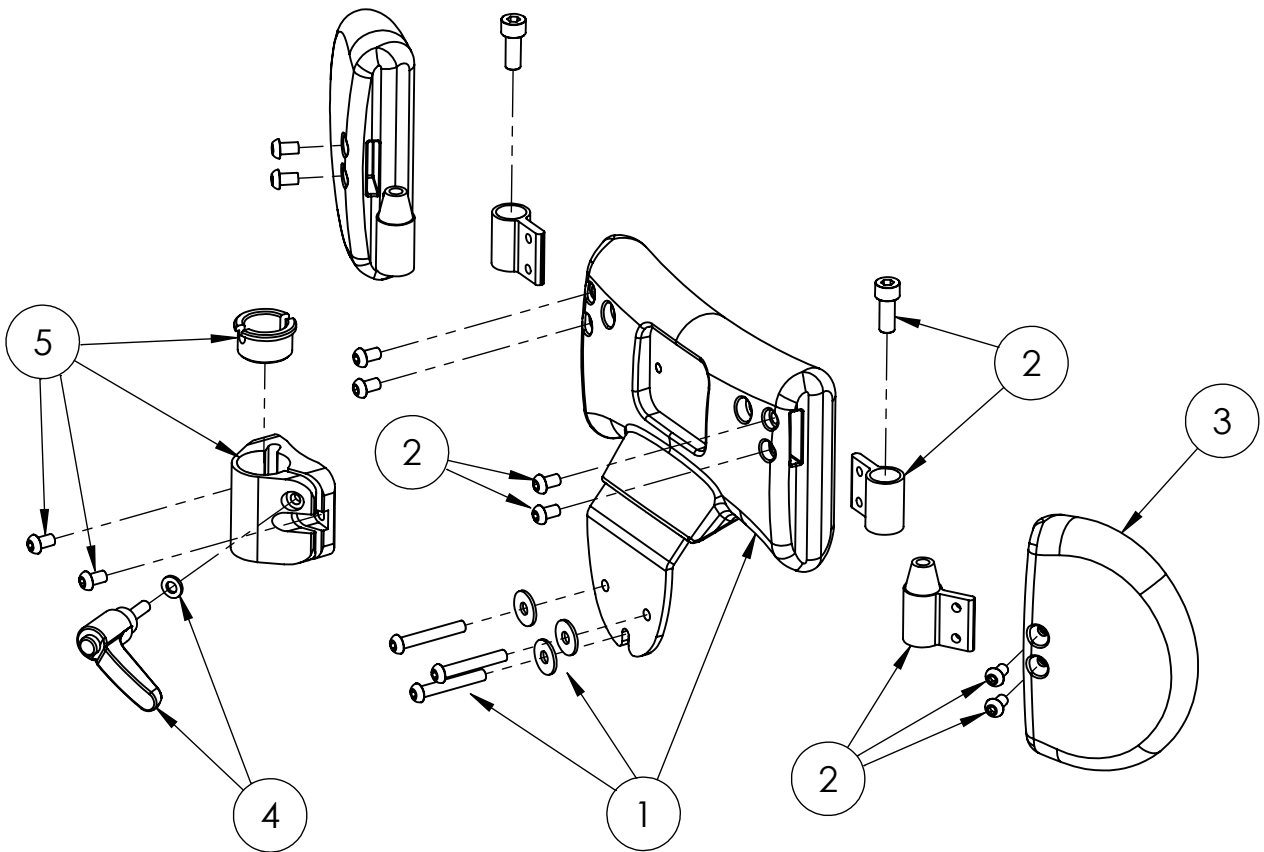
Pos.	Leckey Code	Description	Qty	Compatible with	
				Size 1	Size 2
1	143-9023	HIP HEIGHT ADJUST ASSY - RHS	1	✓	✓
2	143-9024	HIP HEIGHT ADJUST ASSY - LHS	1	✓	✓
3	143-9025	CHEST HEIGHT ADJUST ASSY	1	✓	✓
4	143-1611	HIP PAD PU - SIZE 1	1	✓	
4	143-2611	HIP PAD PU - SIZE 2	1		✓
5	143-1193	TRAY TUBE BUSH	2	✓	✓
6	143-9026	TRAY HEIGHT ADJUST FIXINGS KIT	2	✓	✓
7	120-235	CALF LOCKING PLATE	2	✓	✓
8	143-1189	HIP TUBE BOTTOM BUSH	2	✓	✓
9	143-9027	HIP HEIGHT ADJUST FIXINGS KIT	2	✓	✓

Chest Pad Assembly



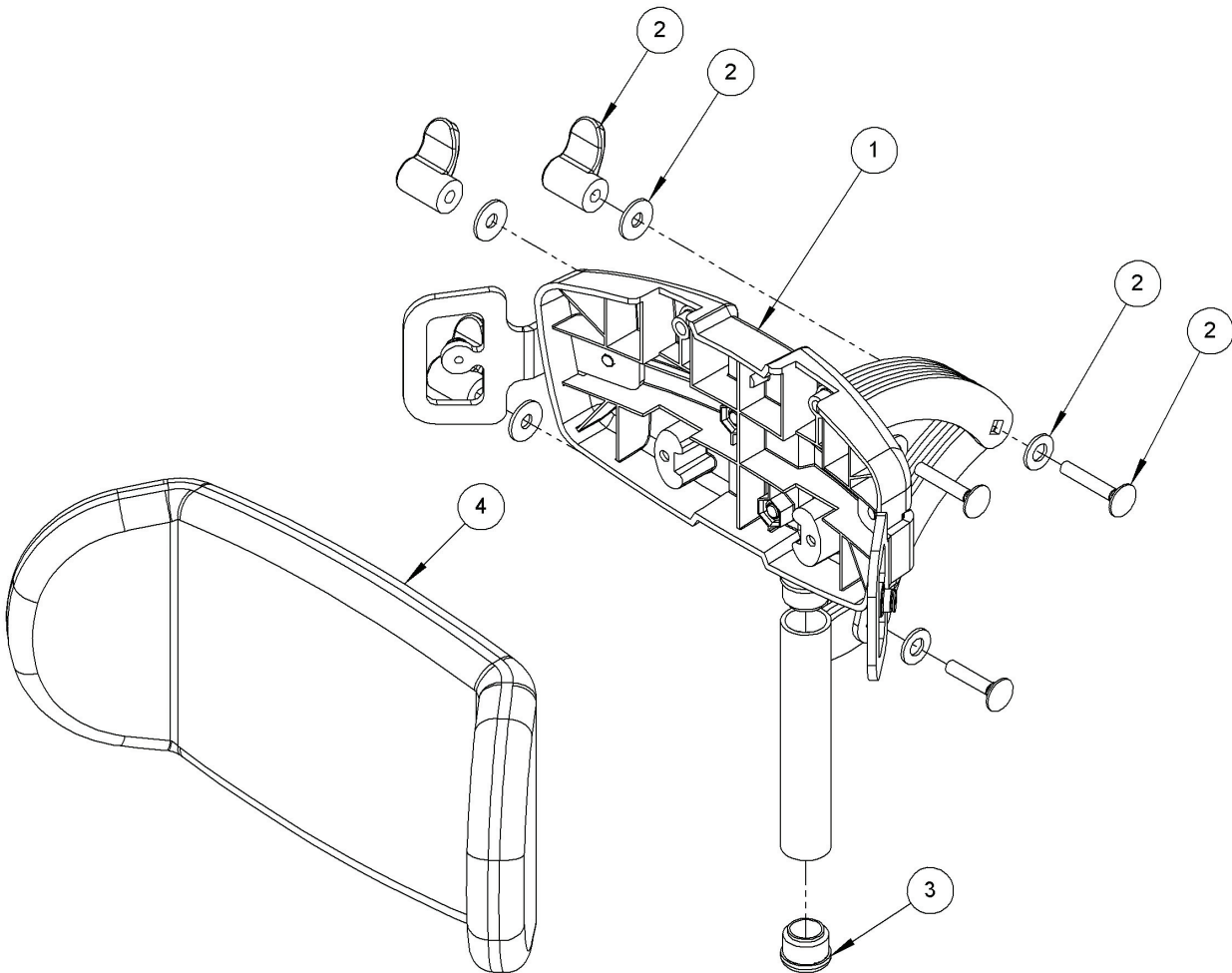
Pos.	Leckey Code	Description	Qty	Compatible with	
				Size 1	Size 2
1	143-9028	CHEST HEIGHT ADJUST FIXINGS KIT	1	✓	✓
2	143-9029	UPHOLSTERY FIXING STUD KIT	1	✓	✓
3	143-9030	CHEST SHROUD ASSY - SIZE 1	1	✓	
3	143-9032	CHEST SHROUD ASSY - SIZE 2	1		✓
4	143-9031	CHEST PAD ASSY - SIZE 1	1	✓	
4	143-9033	CHEST PAD ASSY - SIZE 2	1		✓

Shoulder Assembly



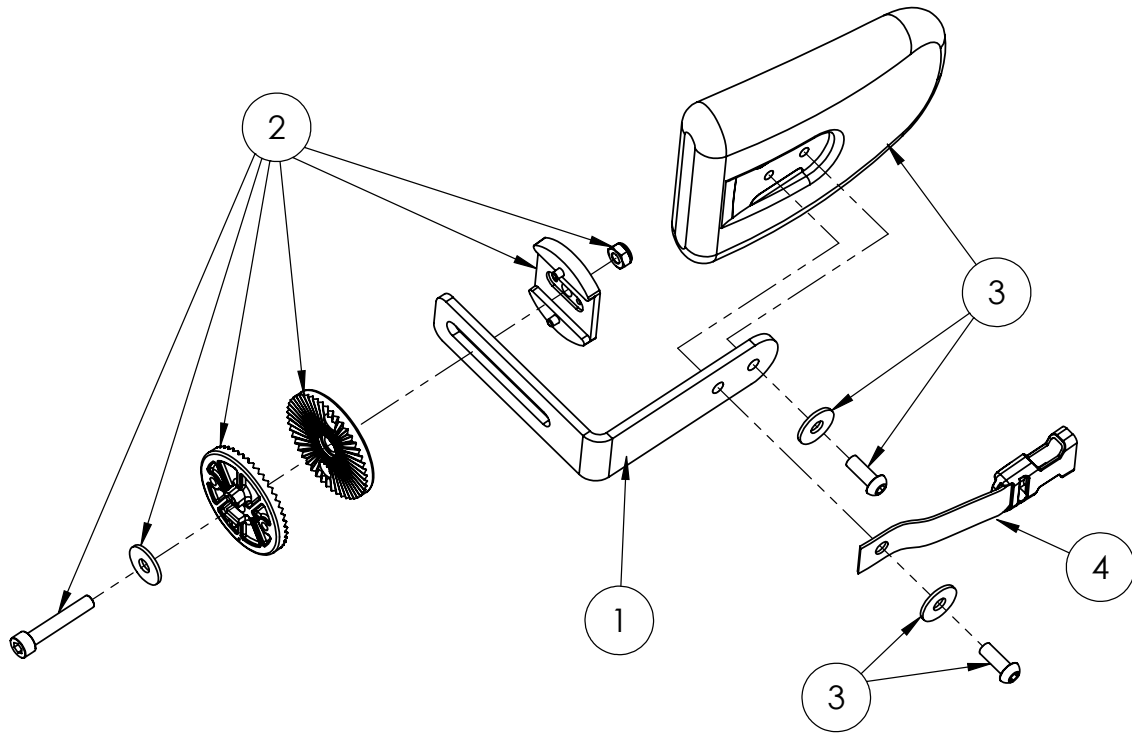
Pos.	Leckey Code	Description	Qty	Compatible with	
				Size 1	Size 2
1	143-9035	SHOULDER PU ASSY	1	✓	✓
2	143-9036	LATERAL ATTACHMENT KIT	1	✓	✓
3	143-1637	SHOULDER LATERAL PU	2	✓	✓
4	143-9039	HANDLE ASSEMBLY	1	✓	✓
5	143-9040	HEAD SUPPORT ATTACHMENT ASSY	1	✓	✓

Contoured Headrest



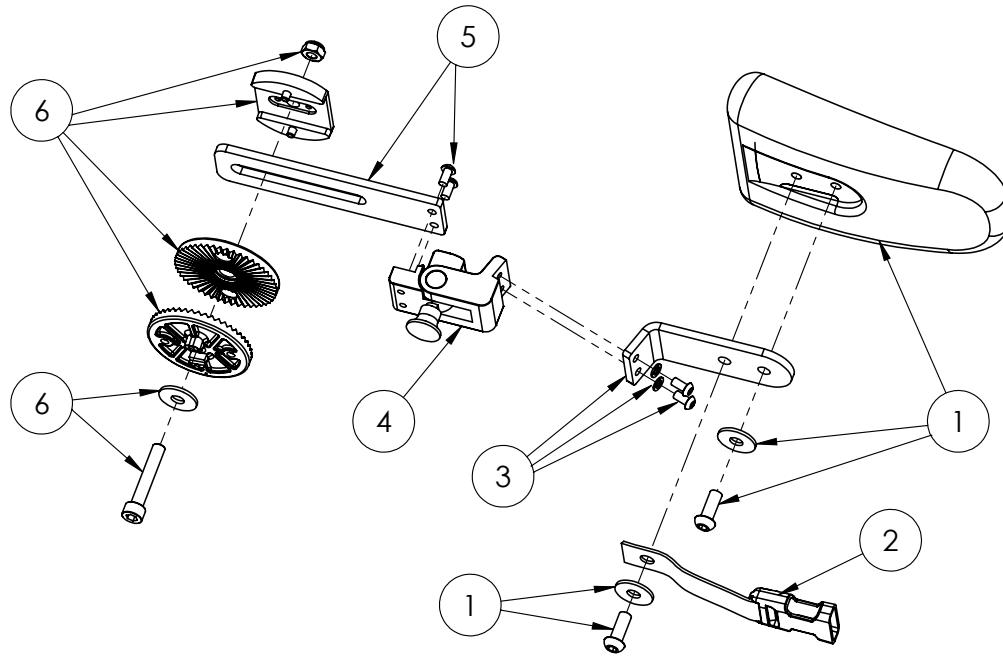
Pos.	Leckey Code	Description	Qty	Compatible with	
				Size 1	Size 2
1	120-859	CONTOURED HEADREST (HARDWARE ONLY)	1	✓	✓
2	137-9015	WING NUT ASSY	3	✓	✓
3	SF53	ROUND TUBE INSERT	2	✓	✓
4	137-800-05	HEADREST CUSHION & COVER (STANDARD BLACK)	1	✓	✓
4	143-1787	HEADREST CUSHION & COVER (INFECTION CONTROL)	1	✓	✓

Chest Lateral Assembly (pair)



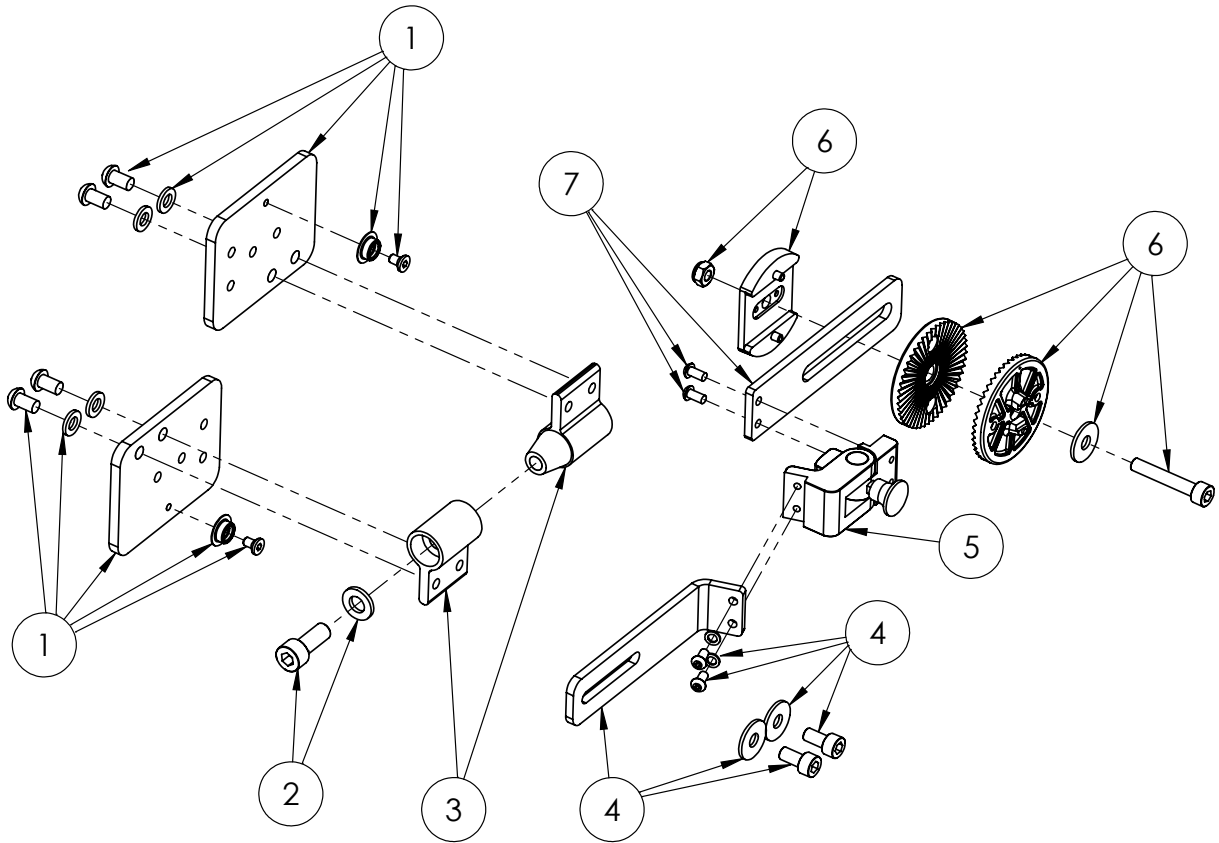
Pos.	Leckey Code	Description	Qty	Compatible with	
				Size 1	Size 2
1	143-1144	CHEST LATERAL BRACKET	2	✓	
1	143-1270	CHEST LATERAL BRACKET SIZE 2	2		✓
2	143-9041	ANGLE ADJUST FIXINGS KIT	2	✓	✓
3	143-9042	LATERAL ASSEMBLY	2	✓	✓
4	143-1800	25MM BUCKLE ASSY	2	✓	✓

Flip Away Chest Laterals Assembly (pair)



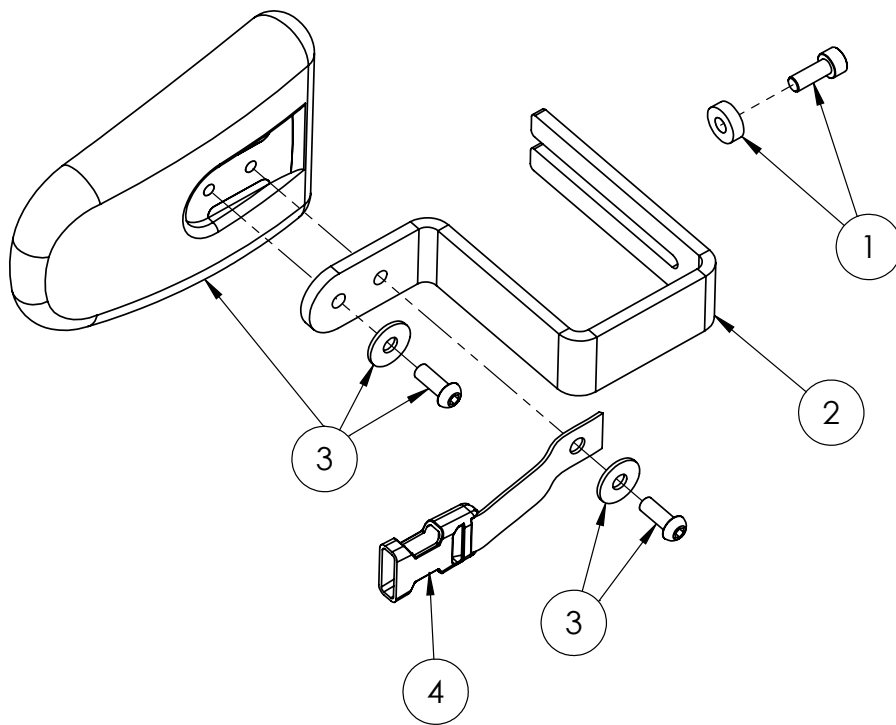
Pos.	Leckey Code	Description	Qty	Compatible with	
				Size 1	Size 2
1	143-9044	LATERAL ASSEMBLY	2	✓	✓
2	143-1800	25MM BUCKLE ASSY	2	✓	✓
3	143-9045	LATERAL ATTACHMENT ASSY	2	✓	✓
4	117-824	FLIP AWAY LATERAL	2	✓	✓
5	143-9046	ANGLE ADJUST BRACKET ASSY	2	✓	✓
6	143-9047	ANGLE ADJUST FIXINGS KIT	2	✓	✓
7	133-726	LAT & BRK COVERS - NOT SHOWN	2	✓	✓

Complex Chest Laterals Assembly (Left or Right)



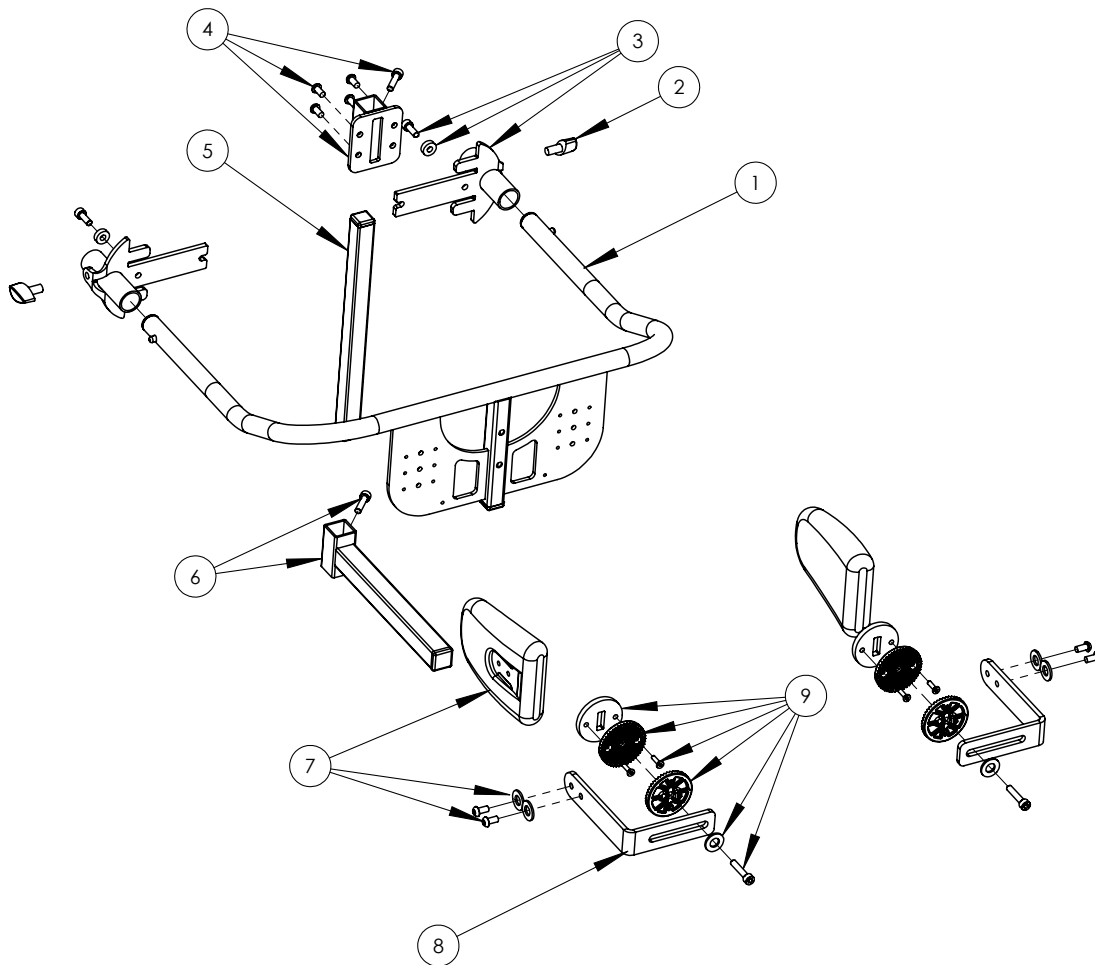
Pos.	Leckey Code	Description	Qty	Compatible with	
				Size 1	Size 2
1	143-9048	COMPLEX LATERAL PLATE ASSY	2	✓	✓
2	143-9049	FIXINGS KIT	1	✓	✓
3	143-9050	TAPERLOCK ASSY	1	✓	✓
4	143-9051	LATERAL ATTACHMENT ASSY	1	✓	✓
5	117-824	FLIP AWAY LATERAL	1	✓	✓
6	143-9052	ANGLE ADJUST FIXINGS KIT	1	✓	✓
7	143-9053	ANGLE ADJUST BRACKET ASSY	1	✓	✓
8	133-726	LAT & BRK COVERS - NOT SHOWN	1	✓	✓
9	137-293	COMPLEX LAT COVER - NOT SHOWN	1	✓	✓

Hip Lateral Assembly (pair)



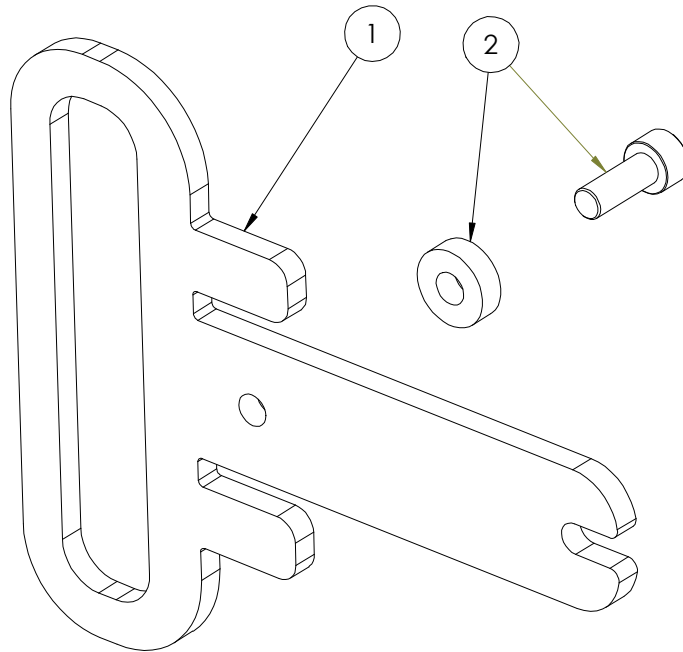
Pos.	Leckey Code	Description	Qty	Compatible with	
				Size 1	Size 2
1	143-9054	ATTACHMENT KIT	2	✓	✓
2	143-1181	HIP LATERAL BRACKET	2	✓	✓
3	143-9055	LATERAL ATTACHMENT ASSY	2	✓	✓
4	143-1800	25MM BUCKLE ASSY	2	✓	✓

Posterior Support Assembly (incl Pommel)



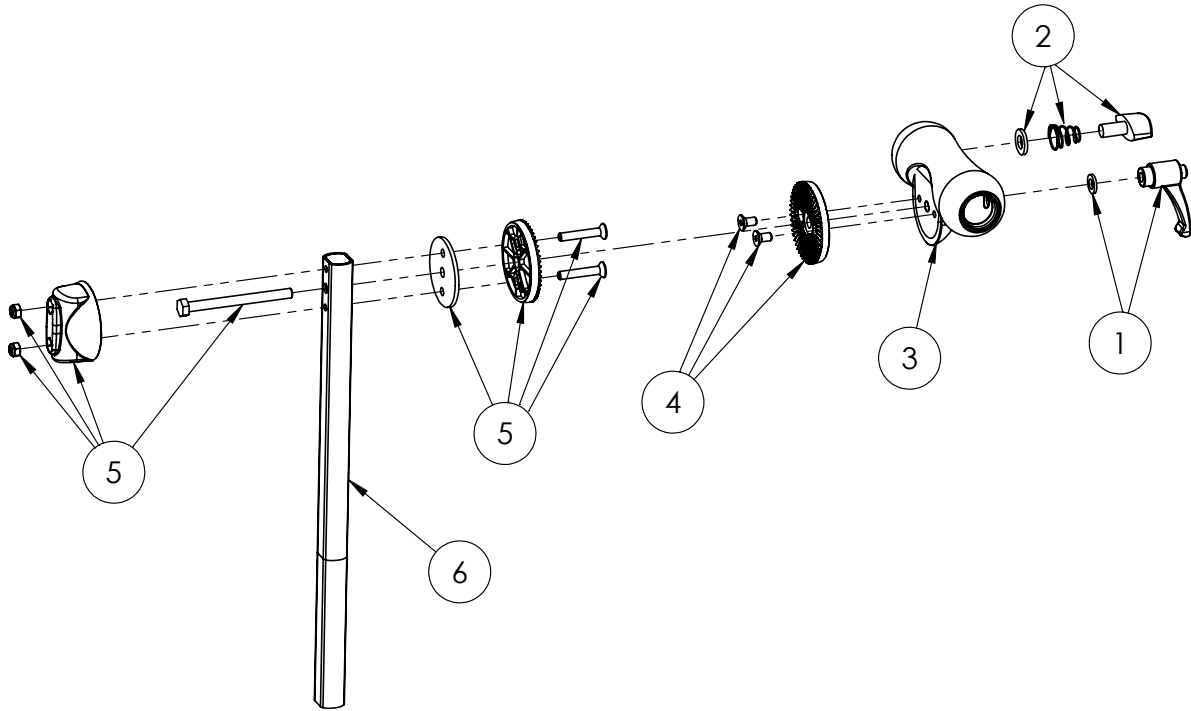
Pos.	Leckey Code	Description	Qty	Compatible with	
				Size 1	Size 2
1	143-9059	POSTERIOR SUPPORT ASSY - SIZE 1	1	✓	
	143-9063	POSTERIOR SUPPORT ASSY - SIZE 2	1		✓
2	SF19	LOCKING KEY	2	✓	✓
3	143-9056	ATTACHMENT KIT	2	✓	✓
4	143-9090	POMMEL ATTACHMENT KIT		✓	✓
	143-9091	POMMEL VERTICAL BAR - SIZE 1		✓	
	143-9092	POMMEL VERTICAL BAR - SIZE 2			✓
6	143-9060	POMMEL ASSY	1	✓	✓
7	143-9061	LATERAL ATTACHMENT ASSY	2	✓	✓
8	143-1226	LATERAL BRACKET	2	✓	✓
9	143-9062	ANGLE ADJUST FIXINGS KIT	2	✓	✓
10	143-1250	POMMEL FOAM (NOT SHOWN)	1	✓	✓

Hip Derotation Belt Hardware



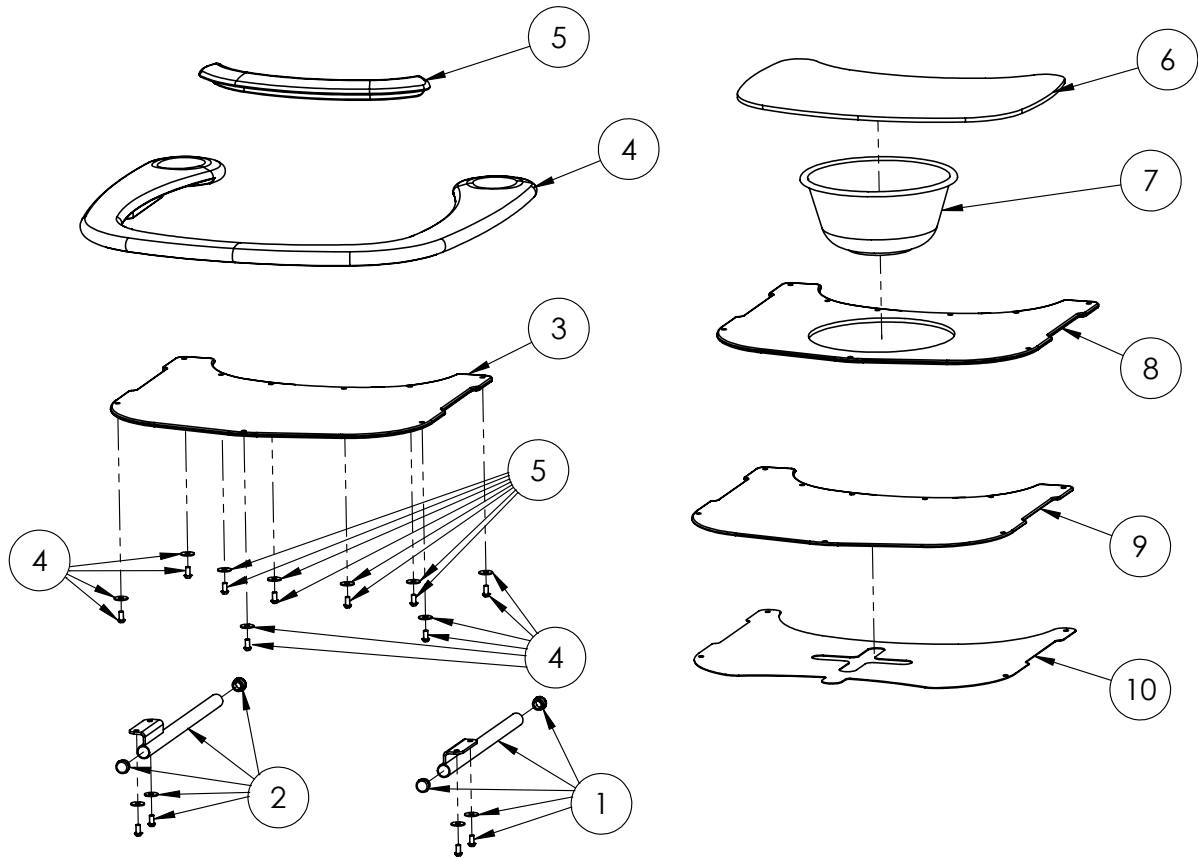
Pos.	Leckey Code	Description	Qty	Compatible with	
				Size 1	Size 2
1	143-1229	HIP BELT BRACKET	2	✓	✓
2	143-9054	ATTACHMENT KIT	2	✓	✓

Tray Receiver Assembly



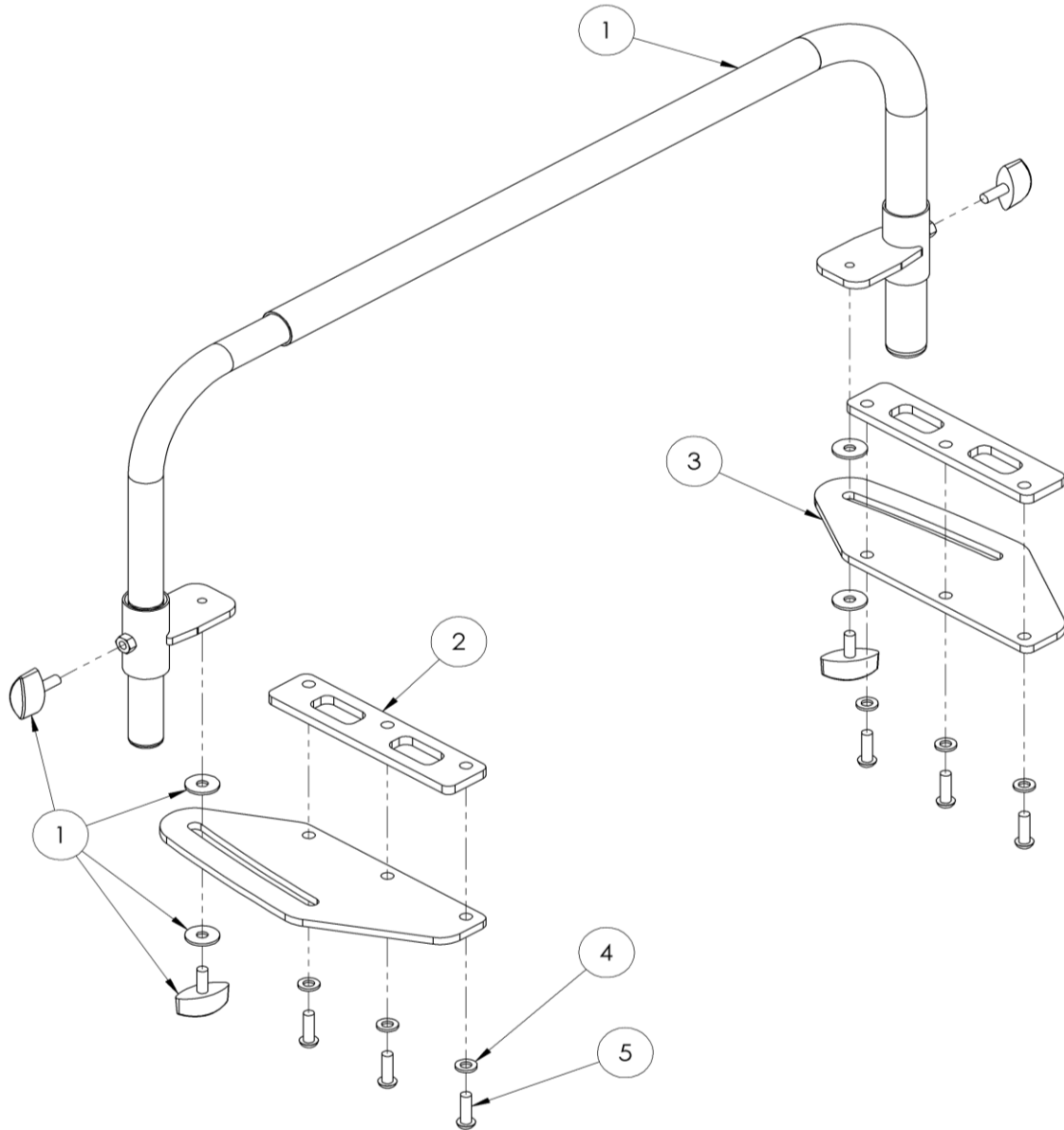
Pos.	Leckey Code	Description	Qty	Compatible with	
				Size 1	Size 2
1	143-9064	HANDLE ASSEMBLY	1	✓	✓
2	143-9065	KNOB ASSEMBLY	1	✓	✓
3	143-1653	TRAY RECEIVER PU	1	✓	✓
4	143-9066	TRAY ANGLE ASSY	1	✓	✓
5	143-9067	TRAY ANGLE MOULDING ASSY	1	✓	✓
6	143-1680	TRAY HEIGHT EXTRUSION ASSY	1	✓	✓

Tray Assemblies



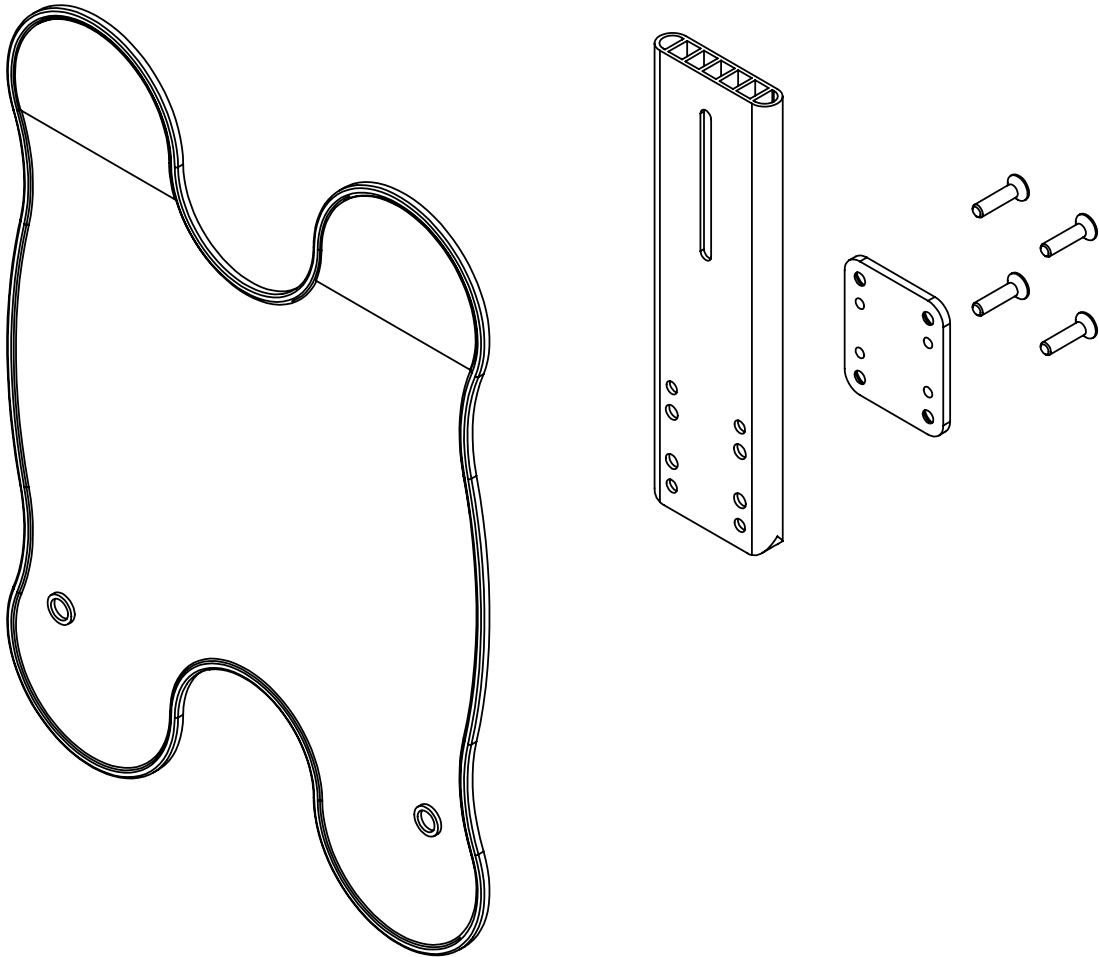
Pos.	Leckey Code	Description	Qty	Compatible with	
				Size 1	Size 2
1	143-9068	TRAY TUBE ASSY - LHS	1	✓	✓
2	143-9069	TRAY TUBE ASSY - RHS	1	✓	✓
3	143-1200	PRONE TRAY INSERT	1	✓	✓
4	143-9070	TRAY PU ASSY	1	✓	✓
5	143-9071	TRAY PROTECTION PU ASSY	1	✓	✓
6	143-9072	BOWL COVER ASSY	1	✓	✓
7	SG41	EMPEE 8" LOTION BOWL	1	✓	✓
8	143-9073	TRAY INSERT W/BOWL ASSY	1	✓	✓
9	143-1242	CLEAR TRAY INSERT	1	✓	✓
10	143-1243	SECONDARY TRAY INSERT	1	✓	✓

Grab Rail



Pos.	Leckey Code	Description	Qty	Compatible with	
				Size 1	Size 2
1	117-769	GRAB RAIL	1	✓	✓
2	143-1244	GRAB RAIL SPACER	2	✓	✓
3	143-1245	GRAB RAIL SLIDING PLATE	2	✓	✓
4	SL08 (M6x20 BLK)	SOCKET BUTTON	6	✓	✓
5	SL36 (M6 MUD BLK)	WASHER	6	✓	✓

Pommel Retrofit Kit



Pos.	Leckey Code	Description	Qty	Compatible with	
				Size 1	Size 2
1	143-1699-XX	POMMEL INTERFACE RETRO FIT KIT - SIZE 1	1	✓	
2	143-2699-XX	POMMEL INTERFACE RETRO FIT KIT - SIZE 2	1		✓