

Mygo Seat Spare Parts Catalogue



Contents

03-04	Mygo Seat - Complete
05	Backrest Assembly
06	LH Footrest Assembly
07	RH Footrest Assembly
08	Size 1 Abduction Assembly
09	Size 2 Abduction Assembly
10	Seatbase Assembly
11	Rigid Lateral Assembly
12	Rigid Lateral Extended Height Assembly
13	Flipaway Lateral Assembly
14	Flipaway Lateral Extended Height Assembly
15	Hip Lateral Assembly
16	Armrest Assembly
17	Flat Head Support
18	Contoured Head Support
19	Shoulder Support Assembly
20-21	Upholstery
22	Tray Assembly
23	Hi-Low Chassis - Manual
24	Hi-Low Chassis - Hydraulic
25	Hi-Low Chassis - Power
26	Indoor/Outdoor Hi-Low Chassis - Manual
27	Indoor/Outdoor Hi-Low Chassis - Hydraulic
28	Indoor/Outdoor Hi-Low Chassis - Power
29	Dynamic Backrest
30	Snappi Interface

Please substitute -XX for the following colours when placing order:

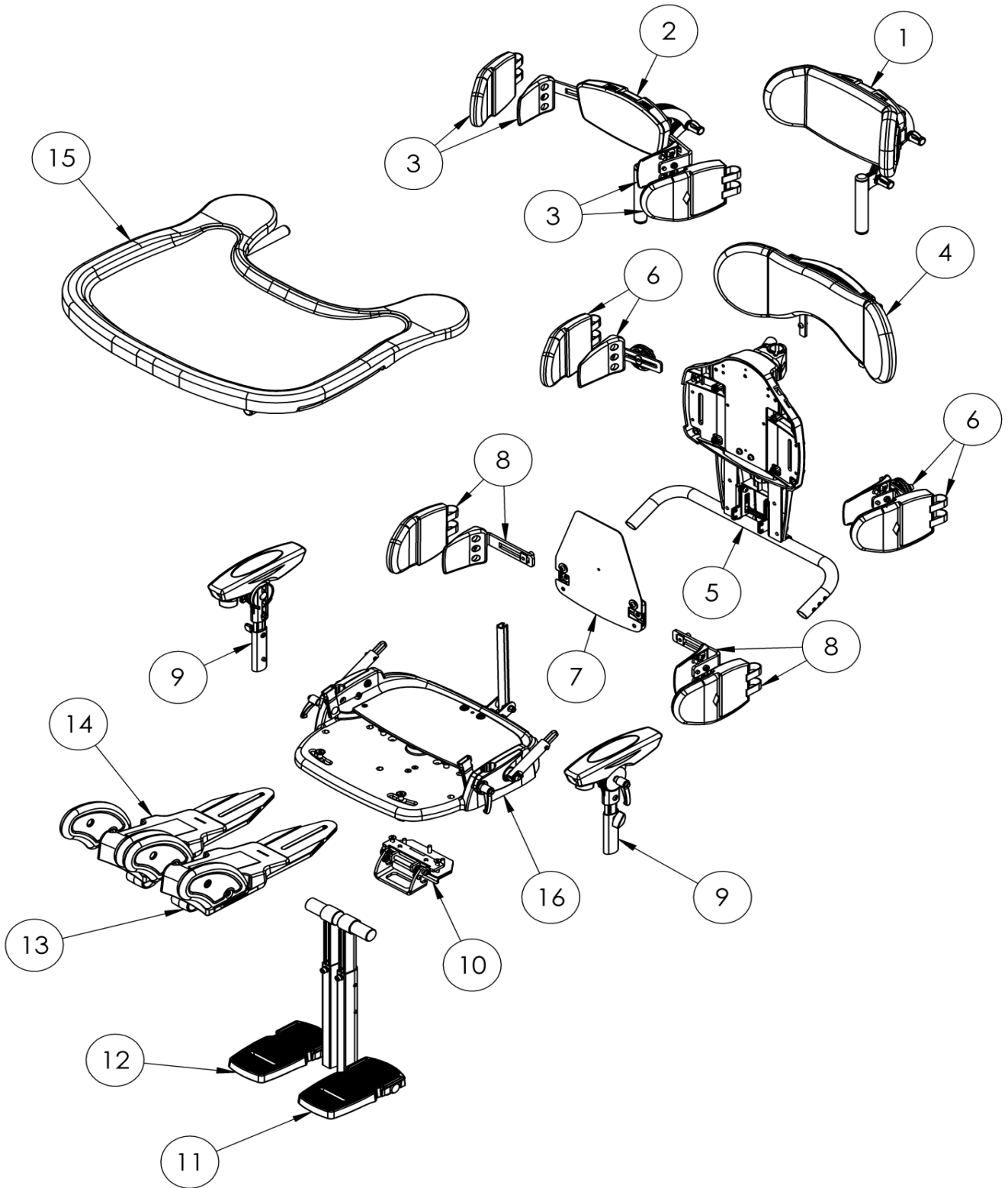
01 - Orange

02 - Blue

03 - Pink

04 - Grey

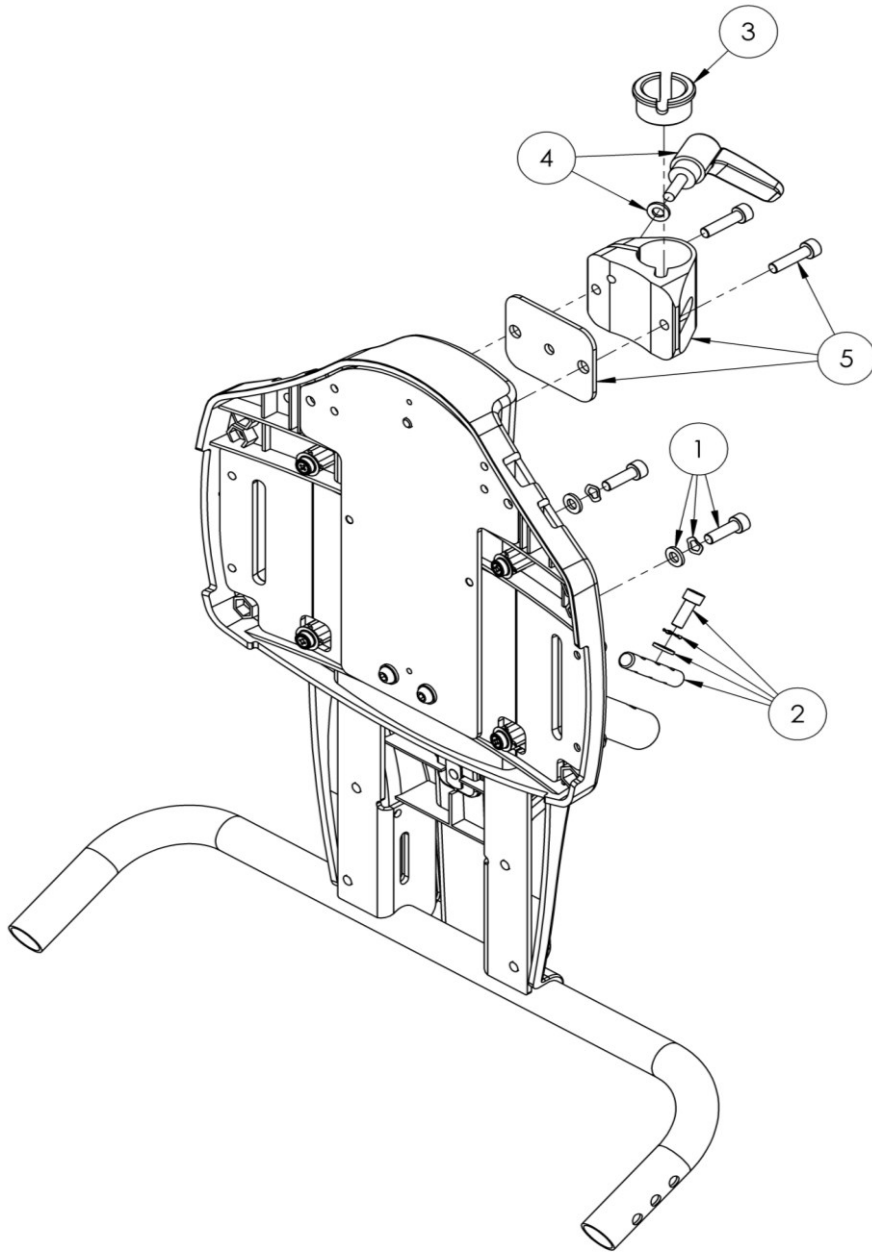
Mygo Seat Assembly



Mygo Seat Assembly

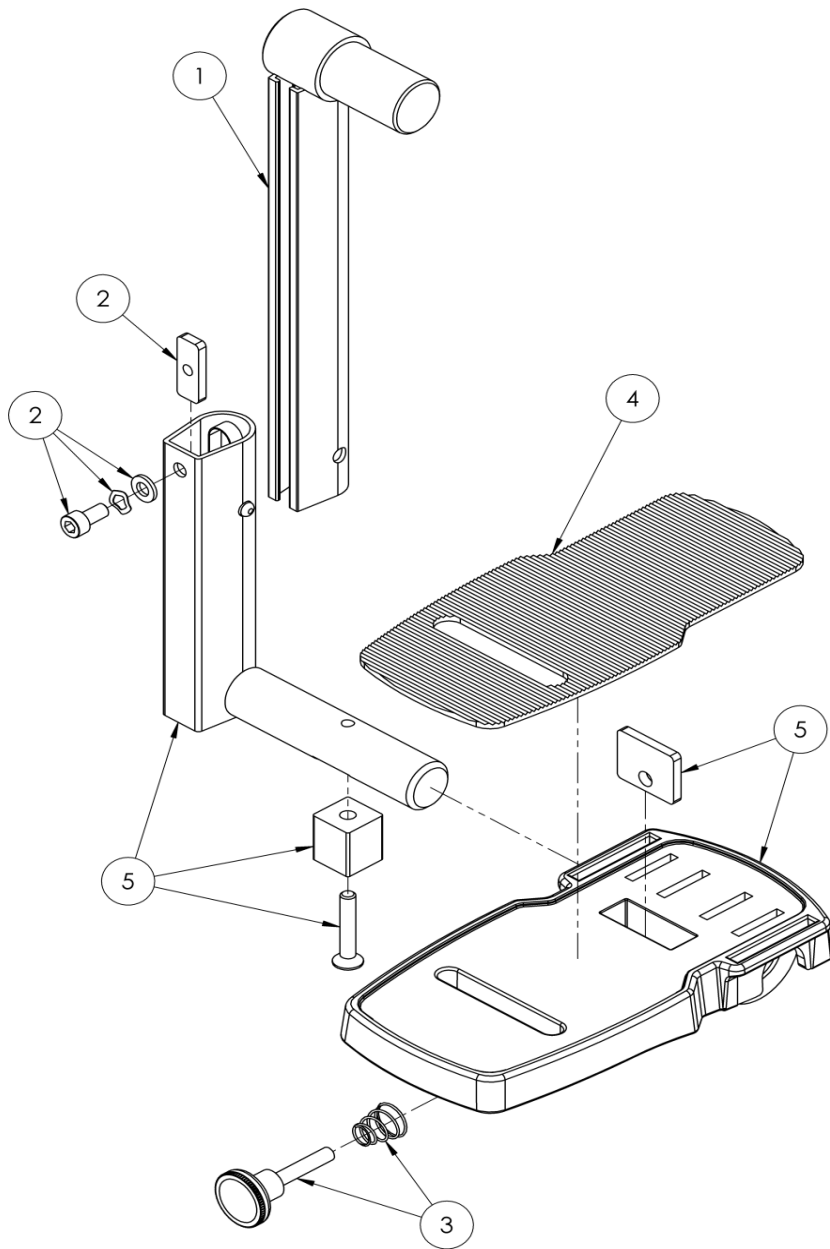
Pos.	Leckey Code	Description	Qty	Compatible with	
				Size 1	Size 2
1	137-699-05	Contoured Headrest Support & Cushion	1	✓	✓
2	117-851-05	Flat Headrest & Cushion	1	✓	✓
3	120-893-05	Flat Headrest Laterals & Covers	1	✓	✓
4	137-621	Shoulder Assembly	1		✓
5	117-670	Backrest Assembly S1	1	✓	
5	137-670	Backrest Assembly S2	1		✓
6	117-803	Rigid Laterals & Covers	1	✓	✓
6	137-205	Rigid Laterals & Covers (no harness bracket)	1	✓	✓
6	117-837	Flipaway Laterals & Covers	1	✓	✓
6	137-634	Flipaway Laterals & Covers	1	✓	✓
6	137-207	Rigid Laterals Extended Height & Covers (no harness bracket)	1	✓	✓
6	137-200	Flipaway Laterals & Covers (no harness bracket)	1	✓	✓
6	137-202	Flipaway Laterals & Covers Extended Height (no harness bracket)	1	✓	✓
6	137-633	Rigid Laterals Extended Height & Covers	1	✓	✓
7	137-630	Sacral Pad Assembly	1	✓	
8	137-632	Hip Laterals & Covers	1	✓	
9	117-9004	Armrest Assembly S1 (Single)	1	✓	
9	137-9017	Armrest Assembly S2 (Single)	1		✓
10	117-720	Interface Assembly	1	✓	✓
11	117-695	Footplate Assembly LH S1	1	✓	
11	137-640	Footplate Assembly LH S2	1		✓
12	117-694	Footplate Assembly RH S1	1	✓	
12	137-202	Footplate Assembly RH S2	1		✓
13	117-694	Abduction Assembly LH S1	1	✓	
13	137-602	Abduction Assembly LH S2	1		✓
14	117-693	Abduction Assembly RH S1	1	✓	
14	137-601	Abduction Assembly RH S2	1		✓
15	117-724	Tray Assembly	1	✓	✓
16	137-713	Seatbase Assembly	1	✓	✓

Backrest Assembly



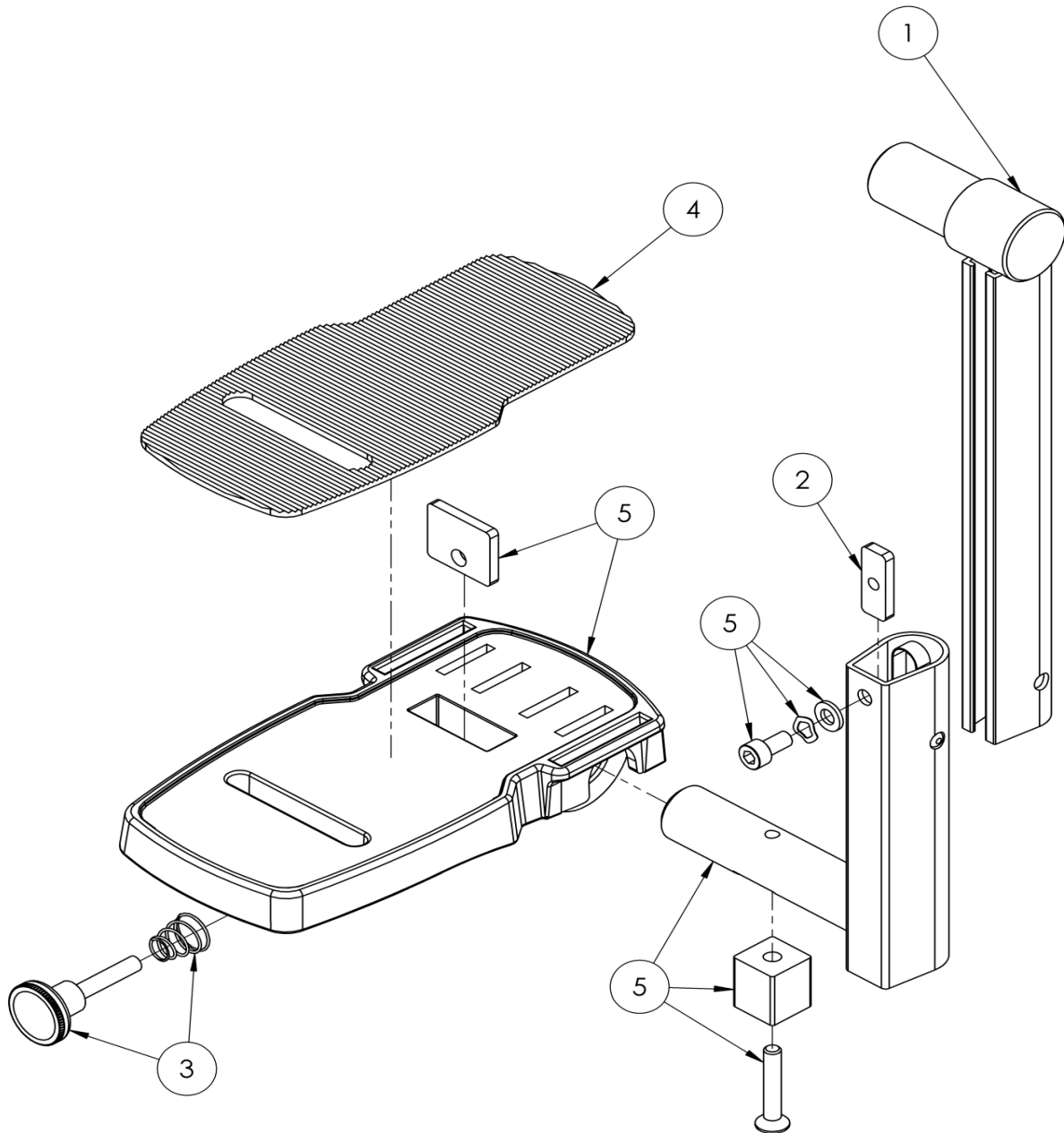
Pos.	Leckey Code	Description	Qty	Compatible with	
				Size 1	Size 2
1	SP-1001	Sliding Backrest Attachment Kit	1	✓	✓
2	137-9015	Backrest Adjustment Kit	1	✓	✓
3	118-166	Head Support Collar	1	✓	✓
4	SP-1000	Head Support Adjustment Kit	1	✓	✓
5	117-9016	Head Support Mtg Assembly - Size 1	1	✓	
5	137-9016	Head Support Mtg Assembly - Size 2	1		✓

LH Footrest Assembly



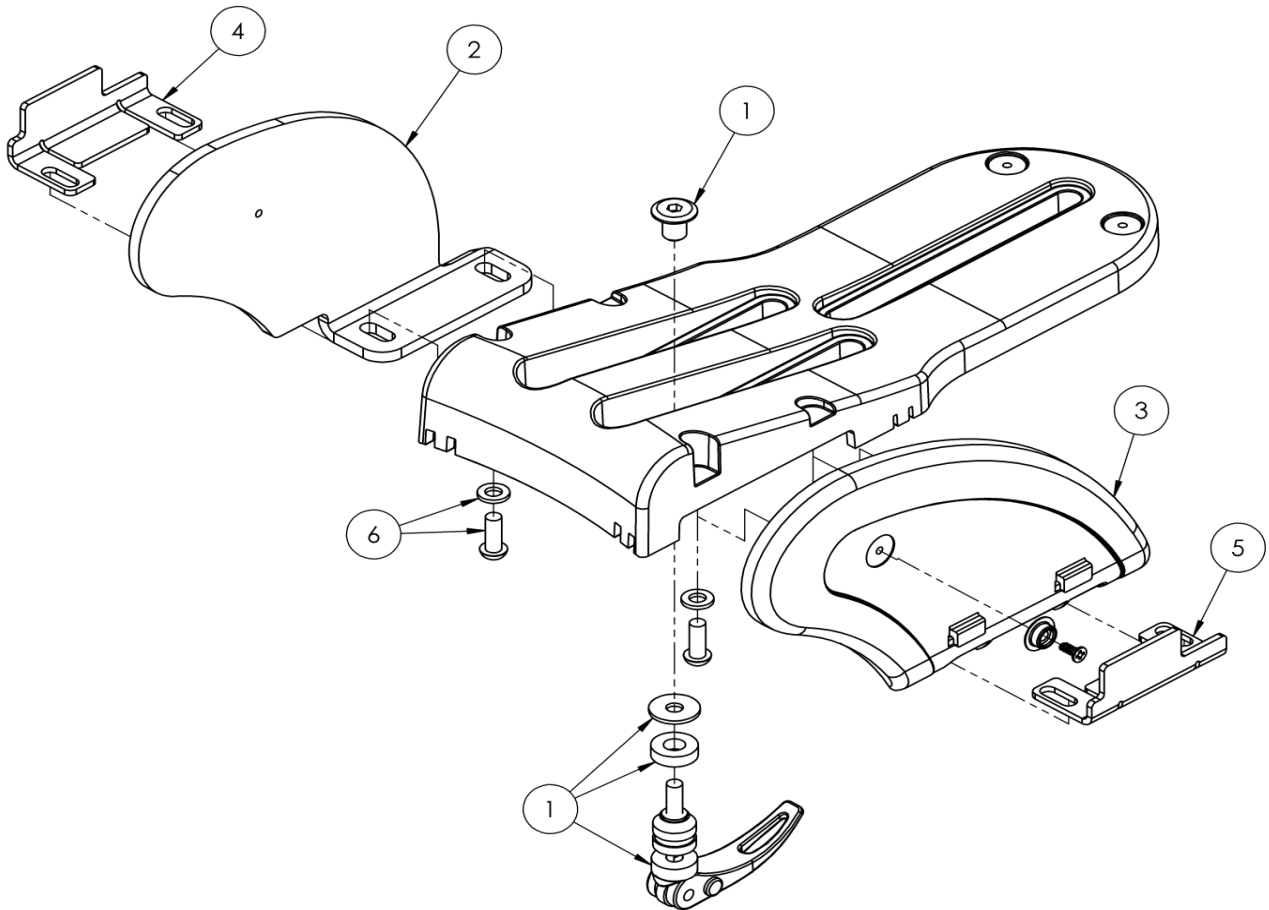
Pos.	Leckey Code	Description	Qty	Compatible with	
				Size 1	Size 2
1	117-689	Calf Inner Support Assembly LH	1	✓	✓
2	137-9005	Footplate Locking Assembly	1	✓	✓
3	137-9006	Footplate Adjuster Assembly	1	✓	✓
4	117-156	Footplate Rubber Matting	1	✓	✓
5	117-9008	Footplate Assembly LH - Size 1	1	✓	
5	137-9022	Footplate Assembly LH - Size 2	1		✓

RH Footrest Assembly



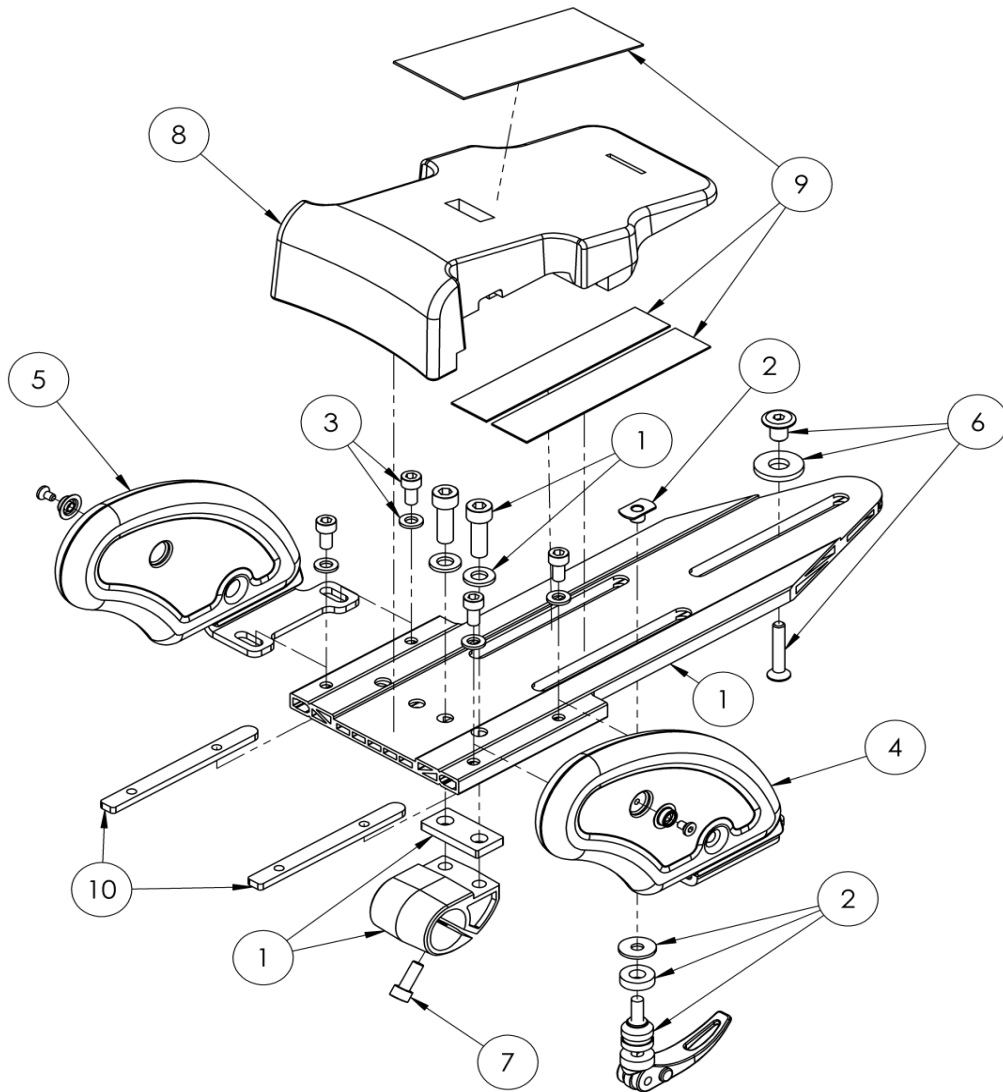
Pos.	Leckey Code	Description	Qty	Compatible with	
				Size 1	Size 2
1	117-691	Calf Inner Support Assembly RH	1	✓	✓
2	137-9005	Footplate Locking Assembly	1	✓	✓
3	137-9006	Footplate Adjuster Assembly	1	✓	✓
4	117-156	Footplate Rubber Matting	1	✓	✓
5	117-9009	Footplate Assembly RH - Size 1	1	✓	
5	137-9021	Footplate Assembly RH - Size 2	1		✓

Size 1 Abduction Assembly



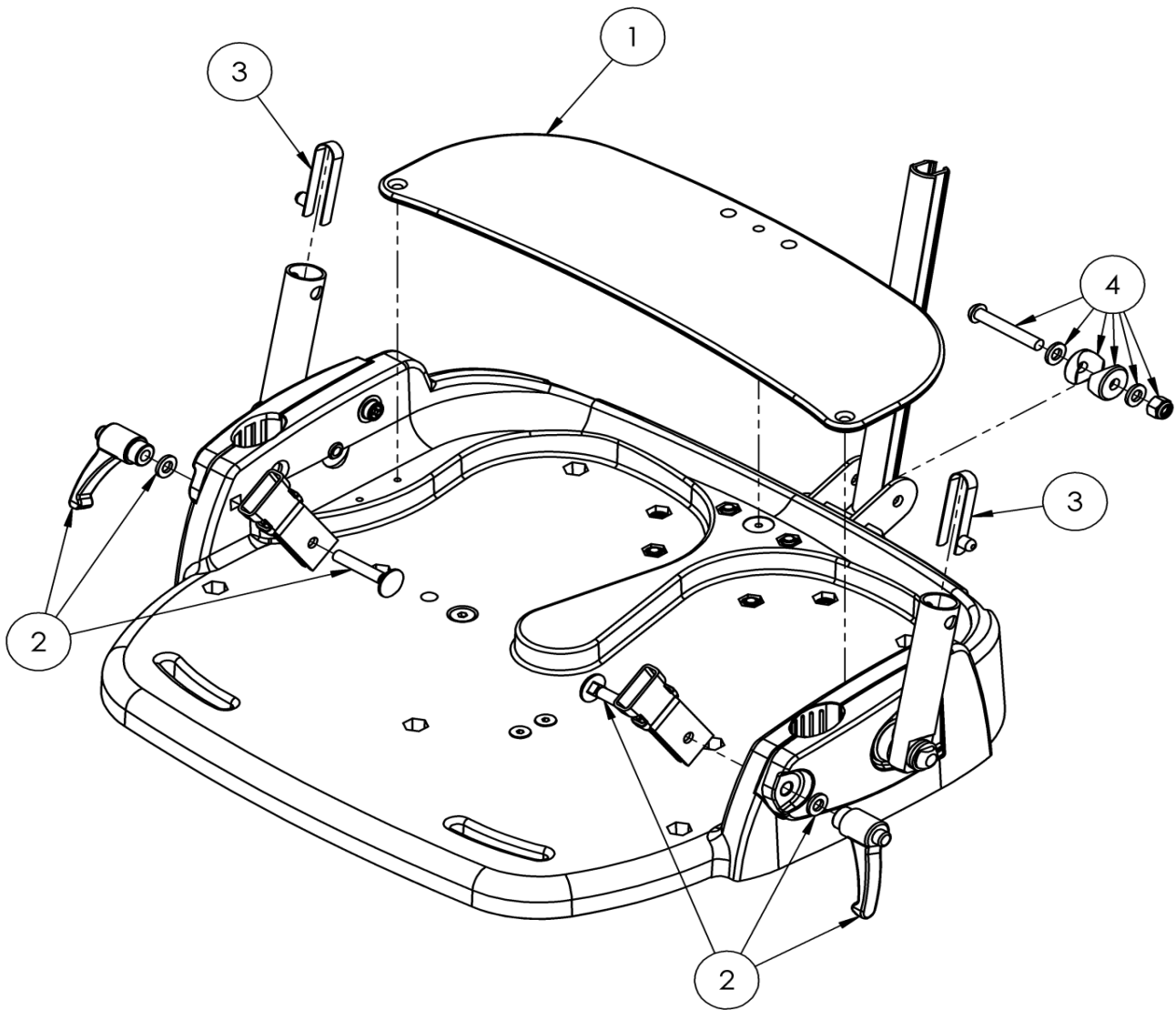
Pos.	Leckey Code	Description	Qty	Compatible with	
				Size 1	Size 2
1	SP-1010	Abduction Assembly Adjuster Kit - Size 1	1	✓	
2	117-718	RH Femoral Guard Assembly Inside	1	✓	
2	117-716	LH Femoral Guard Assembly Inside	1	✓	
3	117-719	RH Femoral Guard Assembly Outside	1	✓	
3	177-717	LH Femoral Guard Assembly Outside	1	✓	
4	117-461	Femoral Support RH	1	✓	
5	117-462	Femoral Support LH	1	✓	
6	SP-1011	Femoral Guide Attachment Kit - Size 1	4	✓	

Size 2 Abduction Assembly



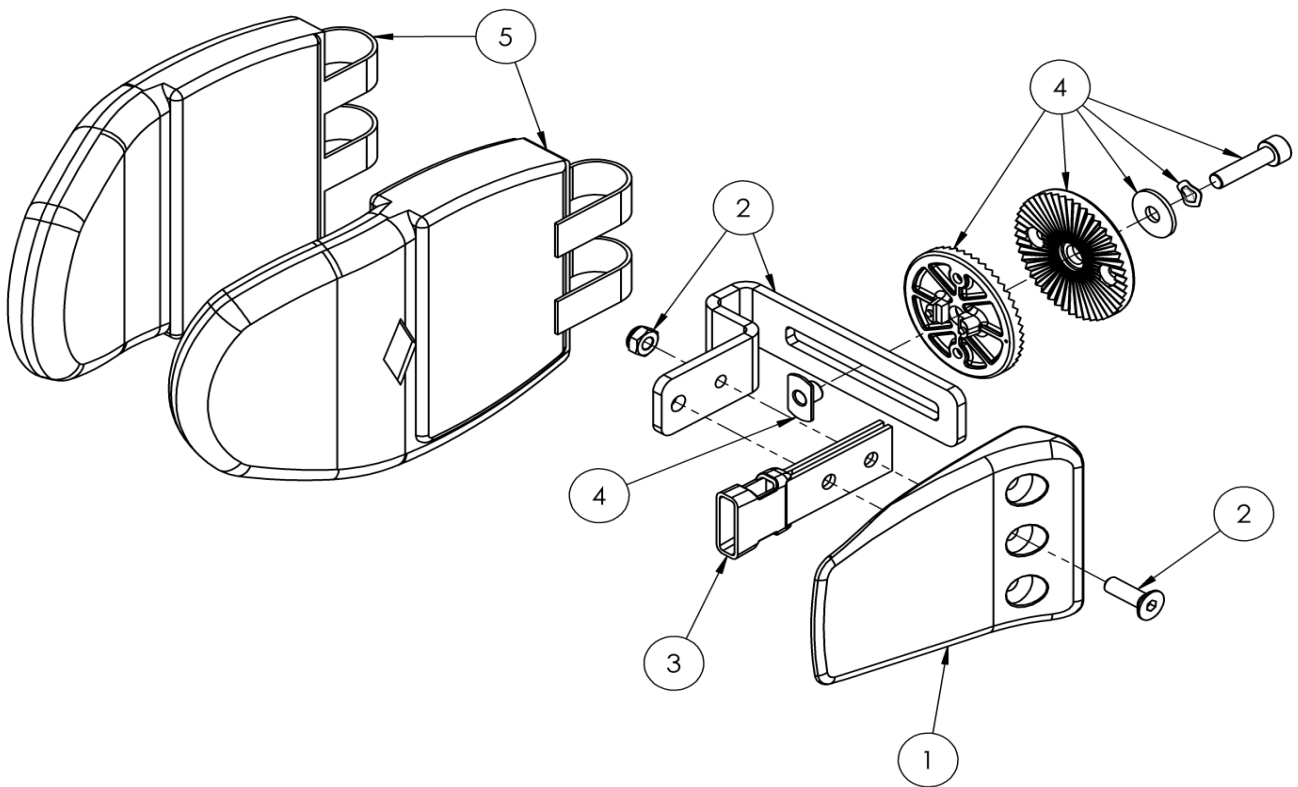
Pos.	Leckey Code	Description	Qty	Compatible with	
				Size 1	Size 2
1	137-9023	Calf Casting Assembly	1		✓
2	SP-1006	Abduction Assembly Adjuster Kit - Size 2	1		✓
3	SP-1008	Femoral Guide Attachment Kit - Size 2	4		✓
4	137-610	Femoral Guide Assembly LHS	1		✓
5	137-610	Femoral Guide Assembly RHS	1		✓
6	SP-1009	Adjustment Kit	1		✓
7	SL04	M6X16 Socket Cap Screw	1		✓
8	137-101	Ramp	1		✓
9	137-9009	Ramp Attachment Velcro Kit	1		✓
10	137-112	Femoral Guide Thread Plate	2		✓

Seatbase Assembly



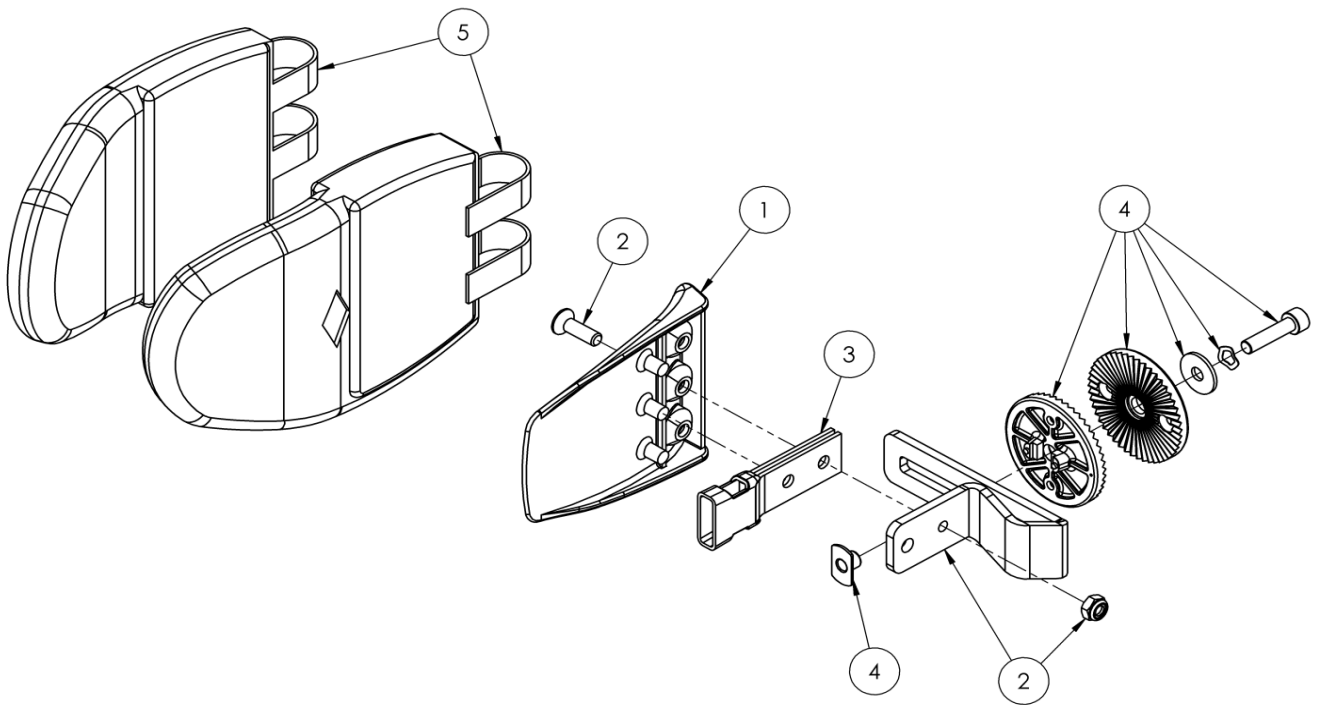
Pos.	Leckey Code	Description	Qty	Compatible with	
				Size 1	Size 2
1	137-121	Seatbase ABS Shelf - Size 1	1	✓	
1	137-120	Seatbase ABS Shelf - Size 2	1		✓
2	SP-9005	Harness Attachment Kit	1	✓	✓
3	SJ109	1/4 Single Popper	2	✓	✓
4	SP-1004	Back Angle Attachment Kit	1	✓	✓

Rigid Lateral Assembly



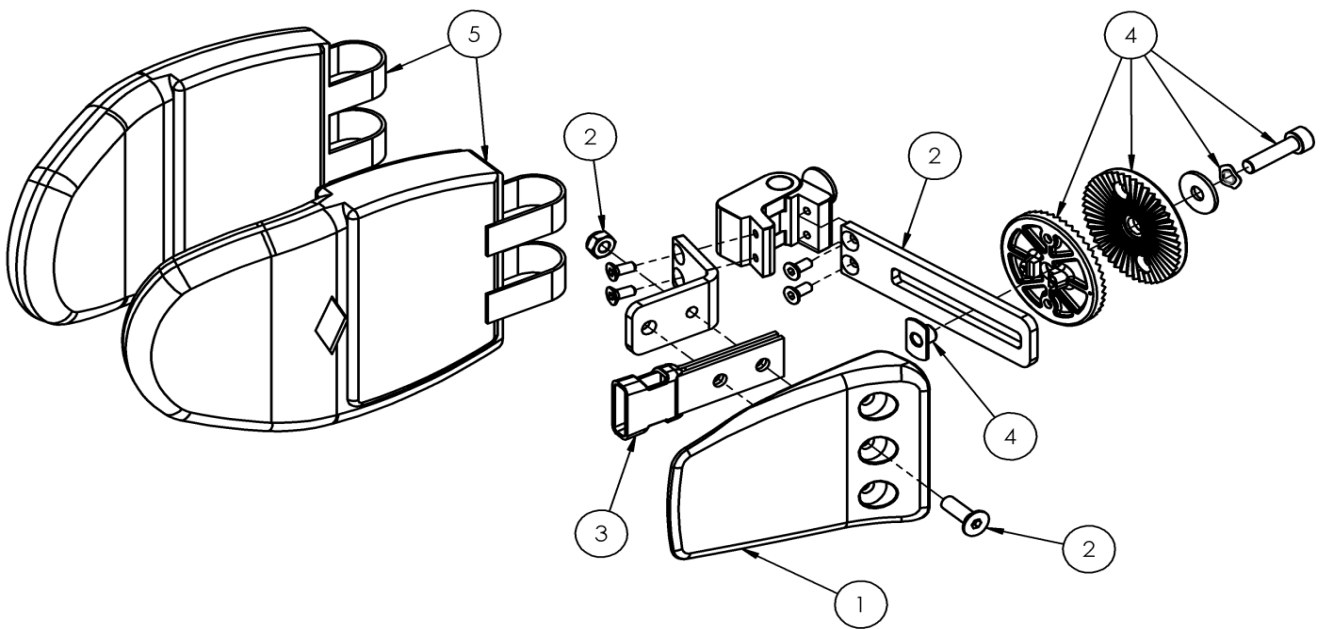
Pos.	Leckey Code	Description	Qty	Compatible with	
				Size 1	Size 2
1	117-176	Lateral	1	✓	✓
2	117-9003	Lateral Bracket & Screw Kit	1	✓	✓
3	117-700	Harness Buckle Attachment	1	✓	✓
4	120-9027	Angle Lock Assembly	1	✓	✓
5	137-806-05	Lateral Covers (Pair)	1	✓	✓

Rigid Lateral Extended Height Assembly



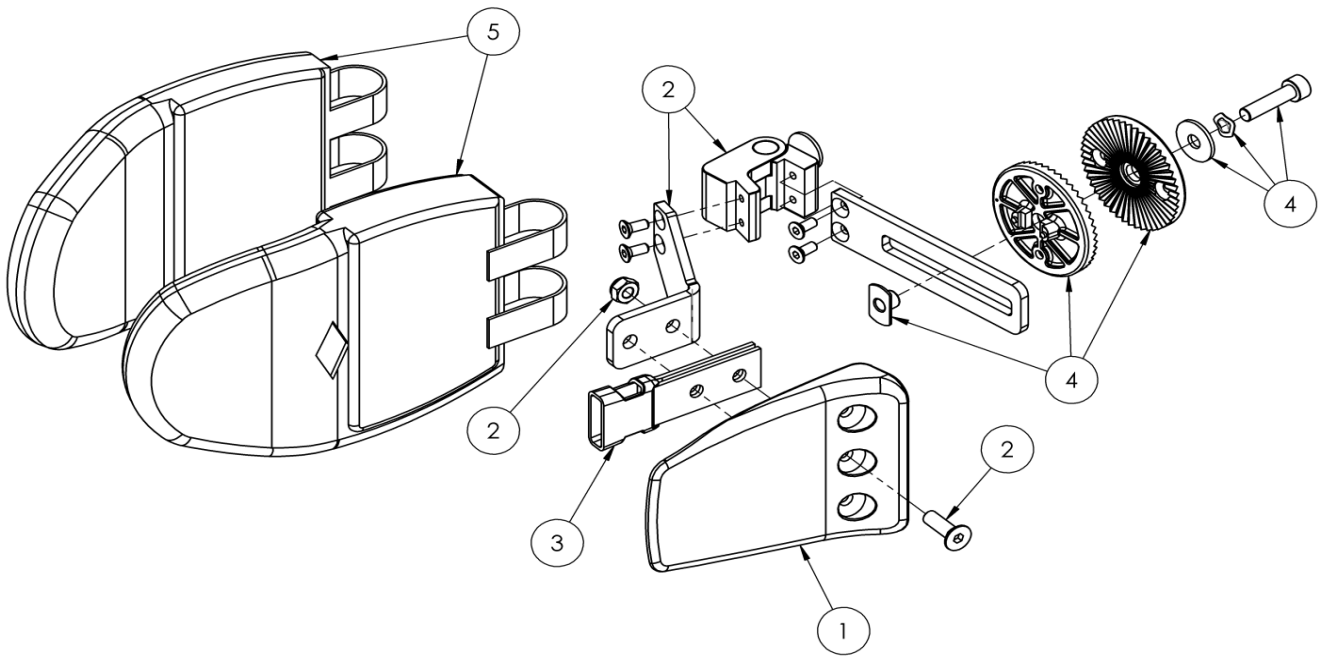
Pos.	Leckey Code	Description	Qty	Compatible with	
				Size 1	Size 2
1	117-176	Lateral	1	✓	✓
2	137-9018	Lateral Bracket & Screw Kit LH	1	✓	✓
2	137-9019	Lateral Bracket & Screw Kit RH	1	✓	✓
3	117-700	Harness Buckle Attachment	1	✓	✓
4	120-9027	Angle Lock Assembly	1	✓	✓
5	137-806-05	Lateral Covers (Pair)	1	✓	✓

Flipaway Lateral Assembly



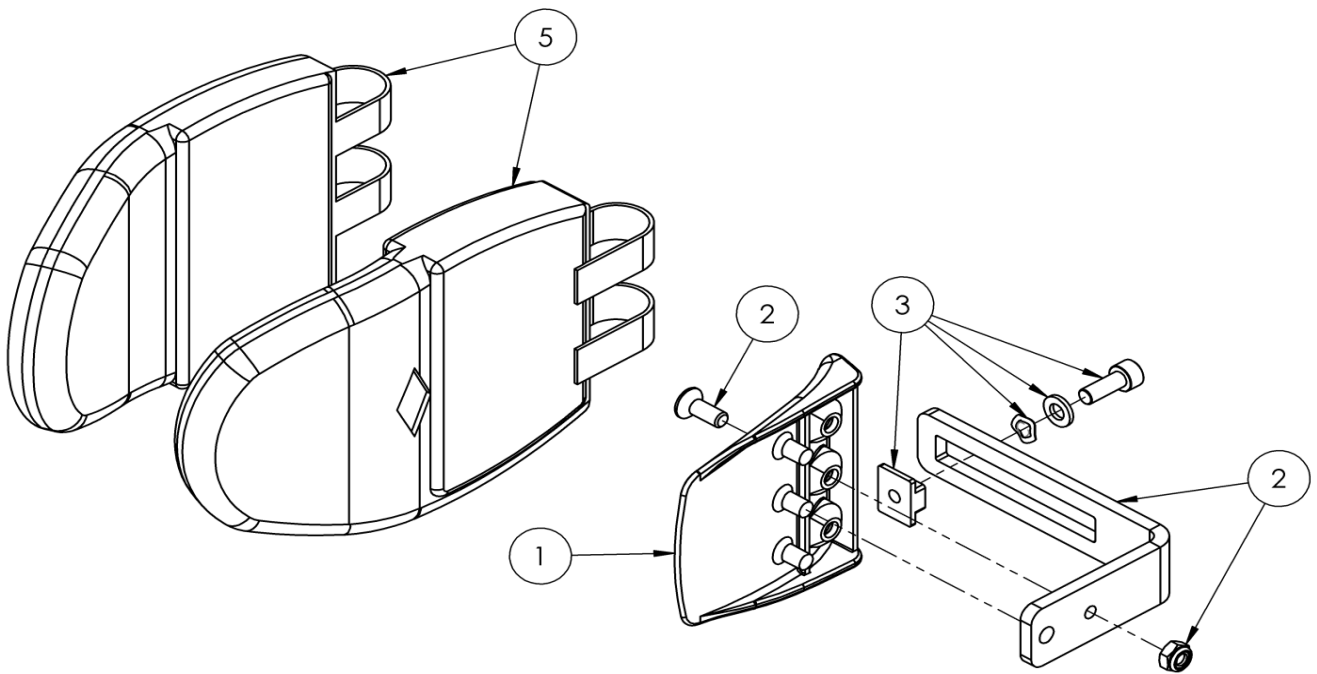
Pos.	Leckey Code	Description	Qty	Compatible with	
				Size 1	Size 2
1	117-176	Lateral	1	✓	✓
2	117-9006	Lateral Bracket & Screw Kit	1	✓	✓
3	117-700	Harness Buckle Attachment	1	✓	✓
4	120-9027	Angle Lock Assembly	1	✓	✓
5	137-806-05	Lateral Covers (Pair)	1	✓	✓

Flipaway Lateral Ext Height Assembly



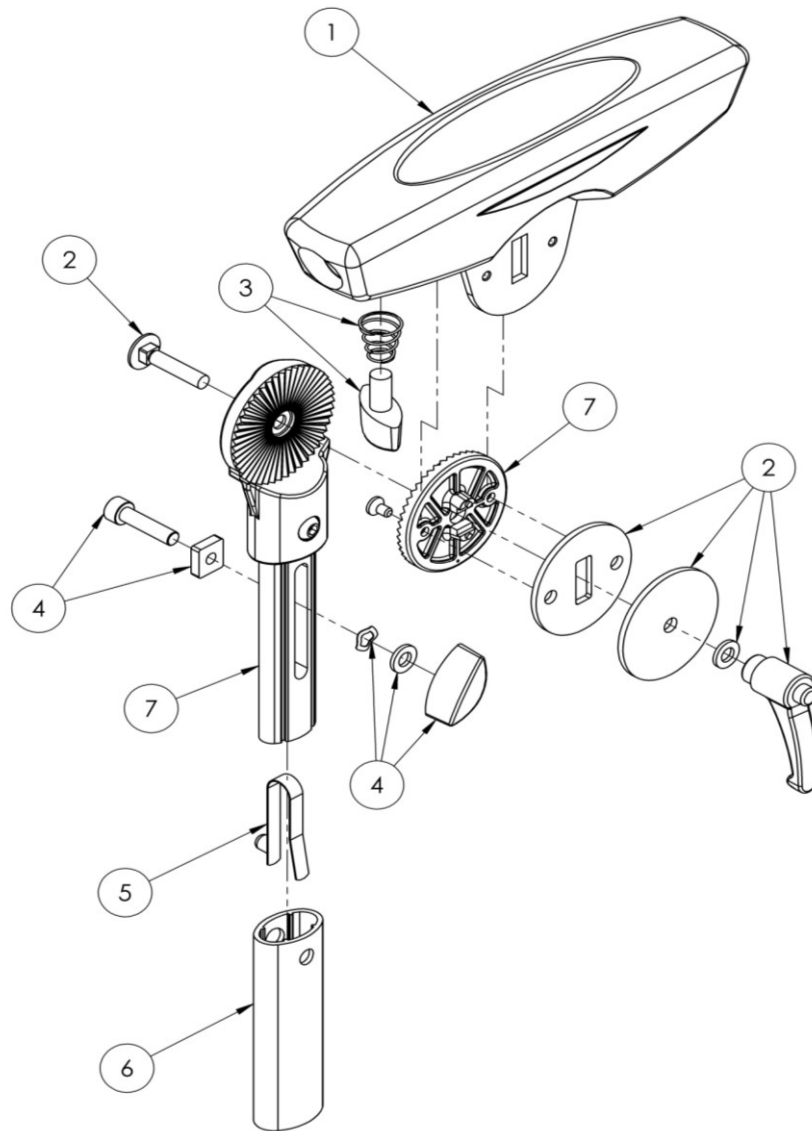
Pos.	Leckey Code	Description	Qty	Compatible with	
				Size 1	Size 2
1	117-176	Lateral	1	✓	✓
2	137-9007	Lateral Bracket & Screw Kit LH	1	✓	✓
2	137-9008	Lateral Bracket & Screw Kit RH	1	✓	✓
3	117-700	Harness Buckle Attachment	1	✓	✓
4	120-9027	Angle Lock Assembly	1	✓	✓
5	137-806-05	Lateral Covers (Pair)	1	✓	✓

Hip Laterals Assembly



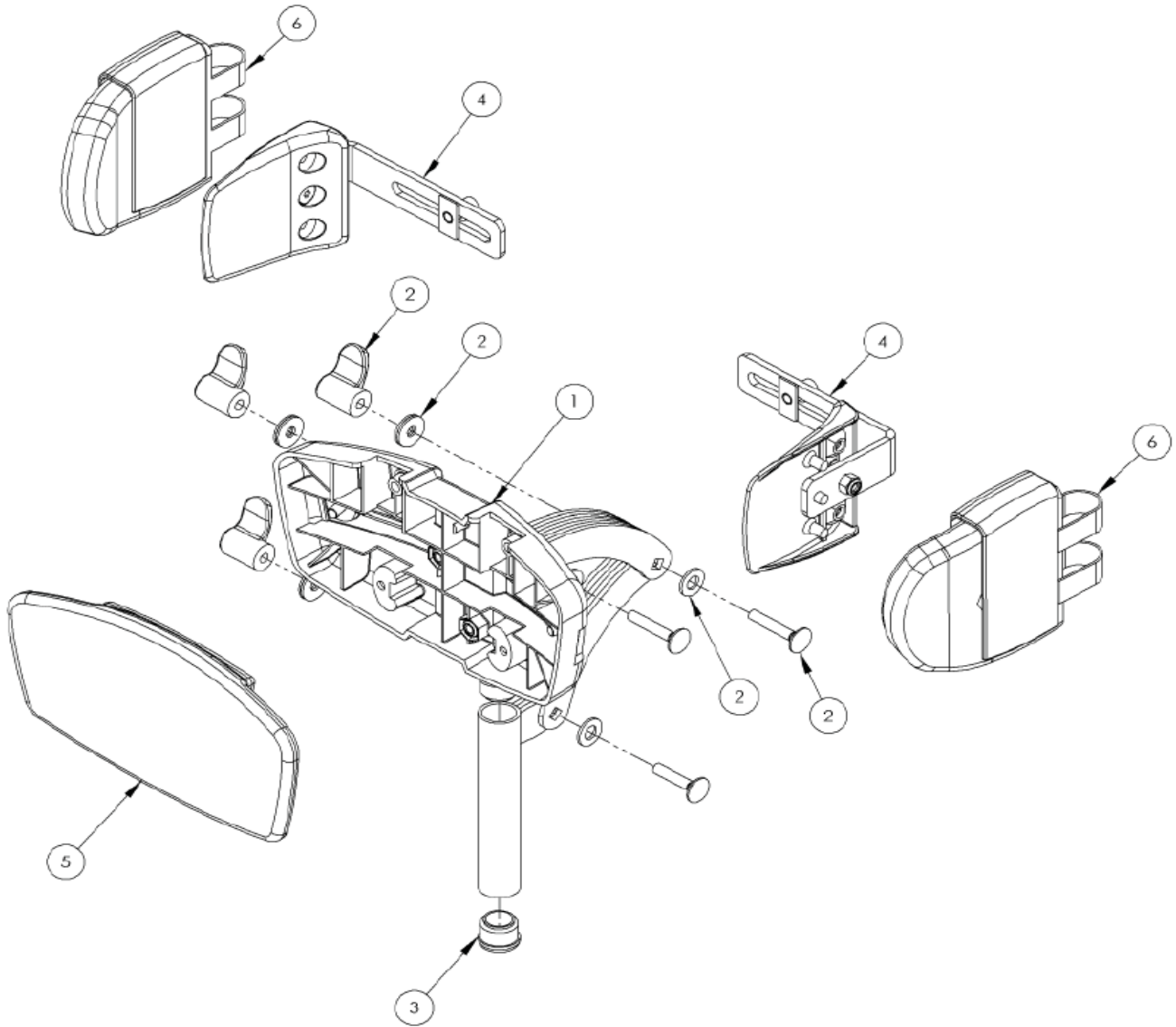
Pos.	Leckey Code	Description	Qty	Compatible with	
				Size 1	Size 2
1	118-049	Lateral	1	✓	✓
2	137-9020	Lateral Bracket & Screw Kit	1	✓	✓
3	SP-1003	Hip Lateral Locking Kit	1	✓	✓
4	137-807-05	Flat Headrest Lateral Covers	1	✓	✓

Armrest Assembly



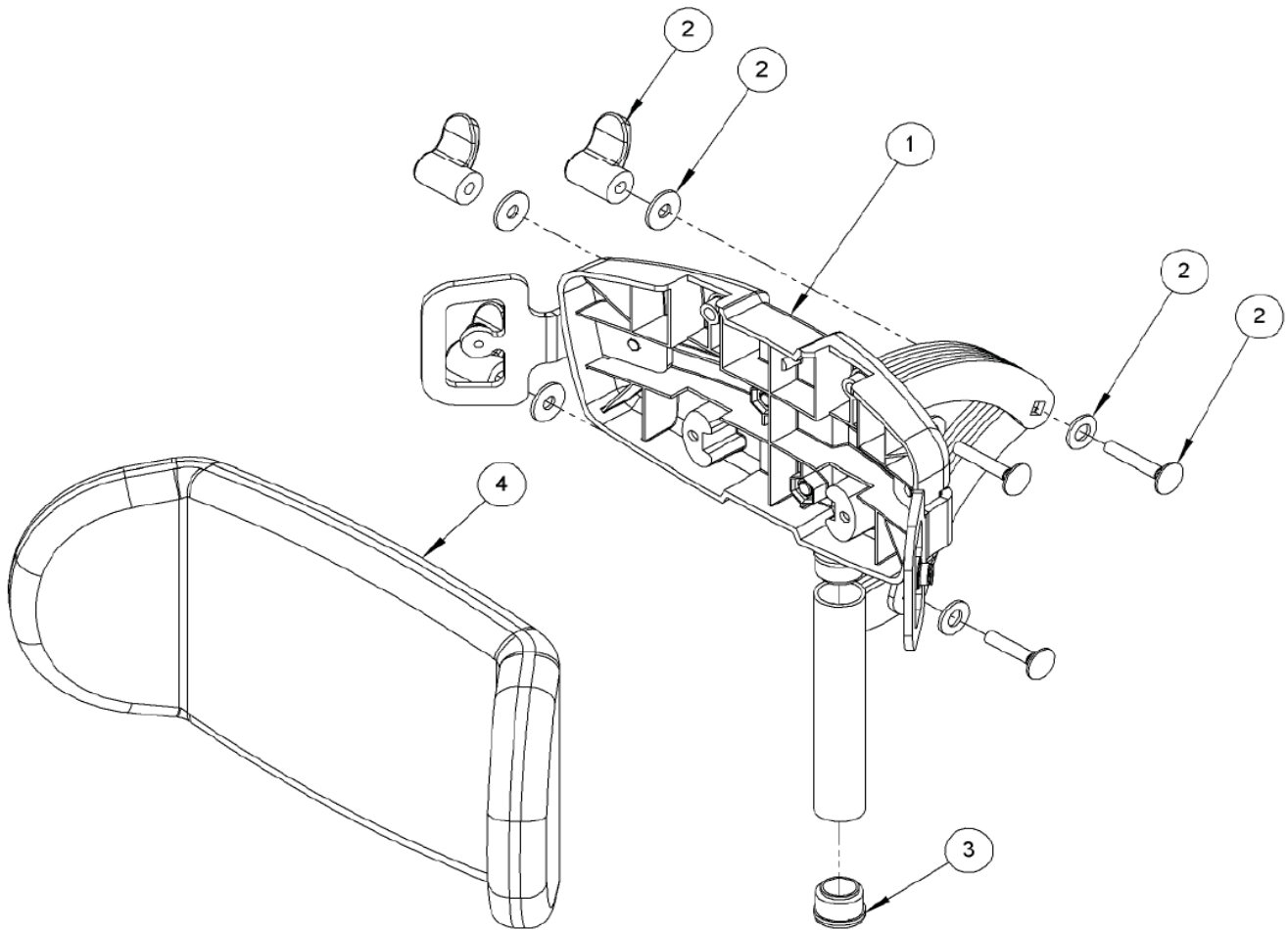
Pos.	Leckey Code	Description	Qty	Compatible with	
				Size 1	Size 2
1	117-715	Armrest Moulded Assembly	1	✓	✓
2	137-9011	Armrest Adjustment Kit	1	✓	✓
3	137-9013	Armrest Locking Kit	1	✓	✓
4	137-9012	Armrest Outer Adjustment Assembly	1	✓	✓
5	SJ109	1/4 Single Popper	1	✓	✓
6	117-145	Amrest Outer Extrusion - Size 1	1	✓	
6	137-146	Amrest Outer Extrusion - Size 2	1		✓
7	117-9005	Amrrest Adjuster - Size 1	1	✓	
7	137-9014	Amrrest Adjuster - Size 2	1		✓

Flat Head Support Assembly



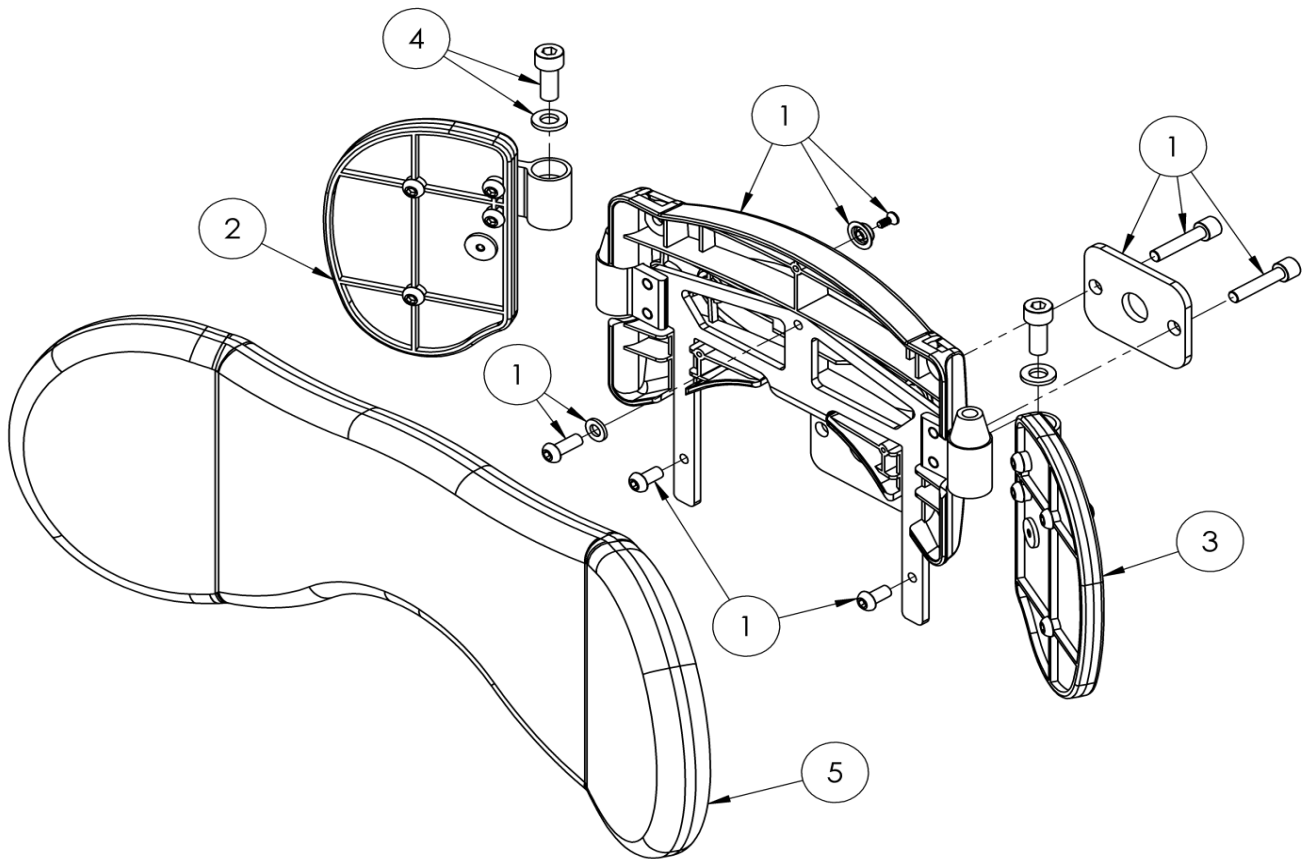
Pos.	Leckey Code	Description	Qty	Compatible with	
				Size 1	Size 2
1	117-697	Flat Headrest Support (Hardware Only)	1	✓	✓
2	137-9056	Wing Nut Assembly	3	✓	✓
3	SF53	Round Tube Insert (Ø22)	2	✓	✓
4	118-666	Flat Headrest Lateral Bracket (Single)	1	✓	✓
5	117-850-XX	Flat Headrest Cover	1	✓	✓
6	137-807-05	Headrest / Hip Laterals Covers (pair)	1	✓	✓

Contoured Head Support Assembly



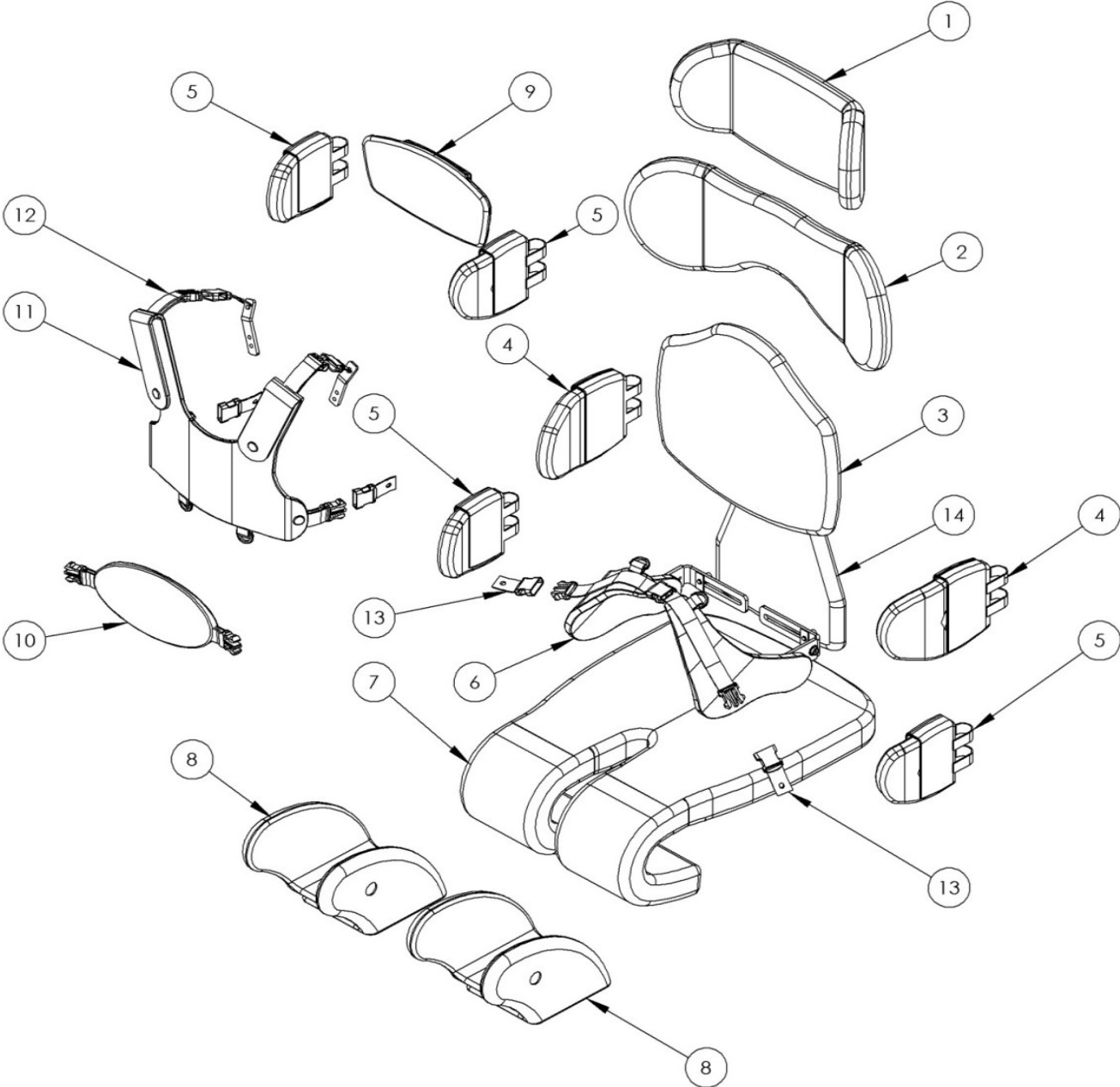
Pos.	Leckey Code	Description	Qty	Compatible with	
				Size 1	Size 2
1	120-859	Contoured Headrest (Hardware Only)	1	✓	✓
2	137-9056	Wing Nut Assembly	3	✓	✓
3	SF53	Round Tube Insert	2	✓	✓
4	137-800-XX	Contoured Headrest Cushion	1	✓	✓

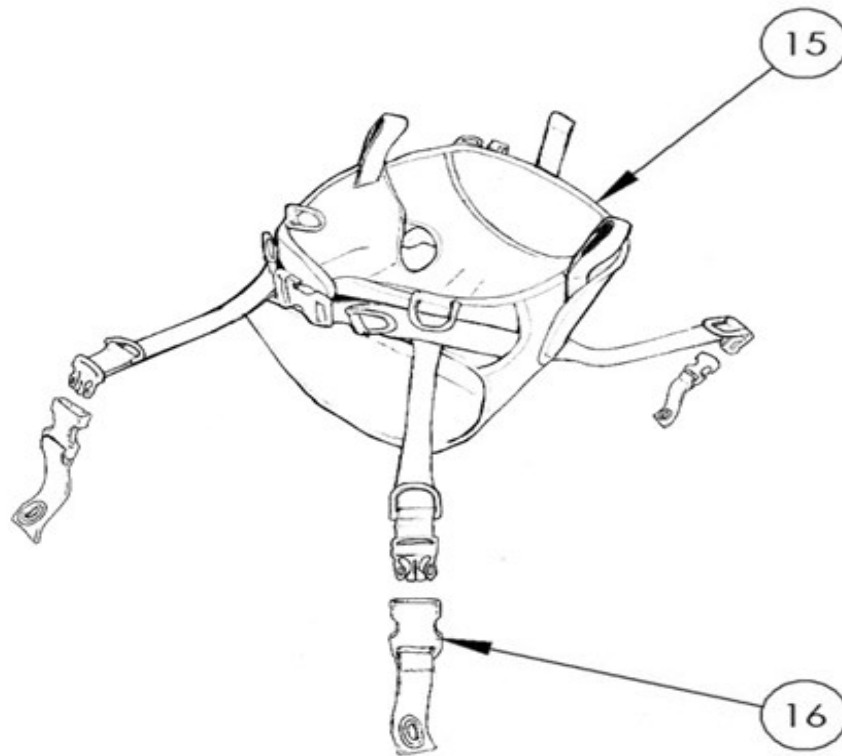
Shoulder Support Assembly



Pos.	Leckey Code	Description	Qty	Compatible with	
				Size 1	Size 2
1	137-9001	Shoulder Central Assembly	1		✓
2	137-9002	Shoulder Wing Assembly RH	1		✓
3	137-9003	Shoulder Wing Assembly LH	1		✓
4	SP-1016	Taperlock Adjustment Screw	2		✓
5	137-801-XX	Shoulder Cushion	1		✓

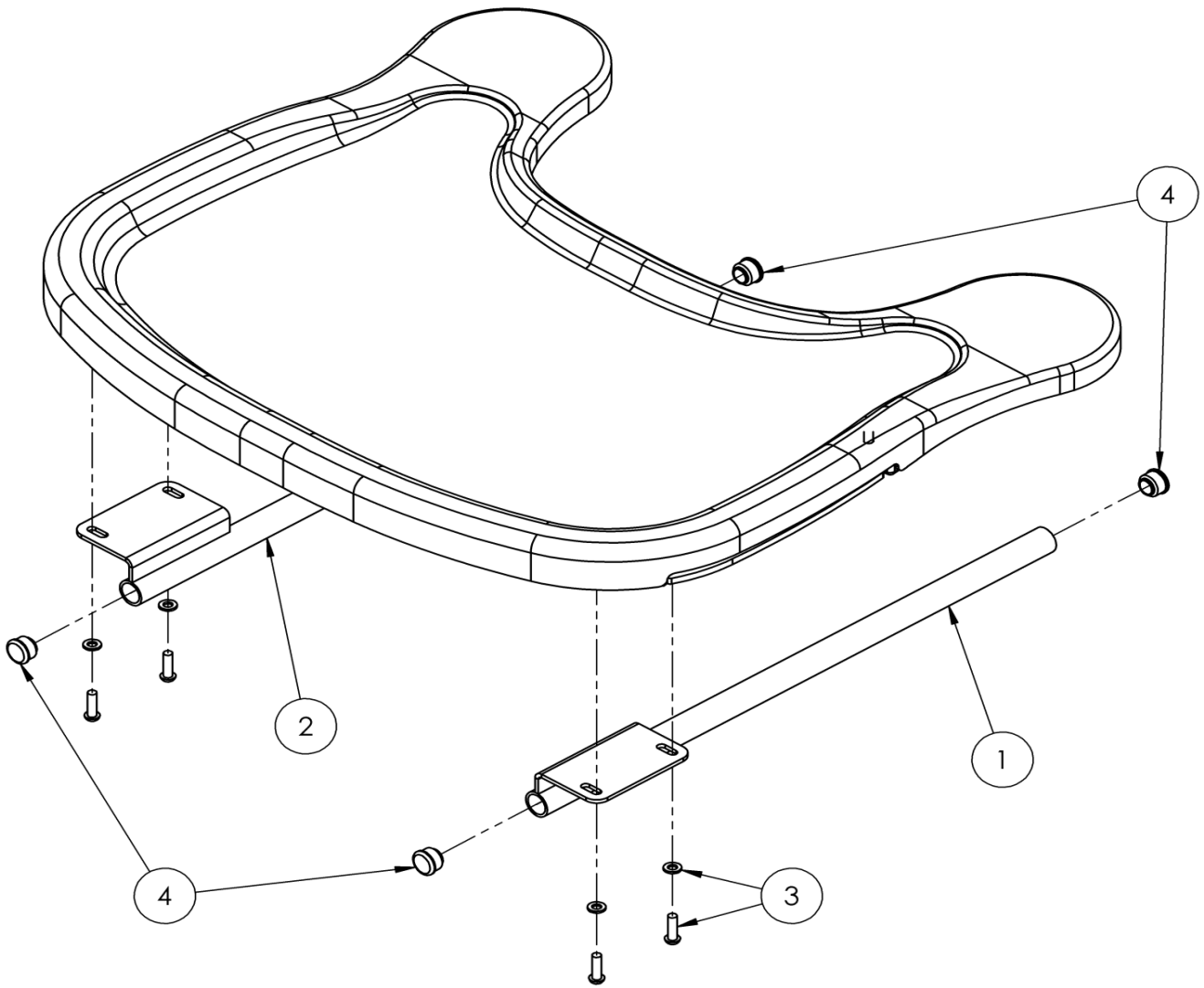
Upholstery





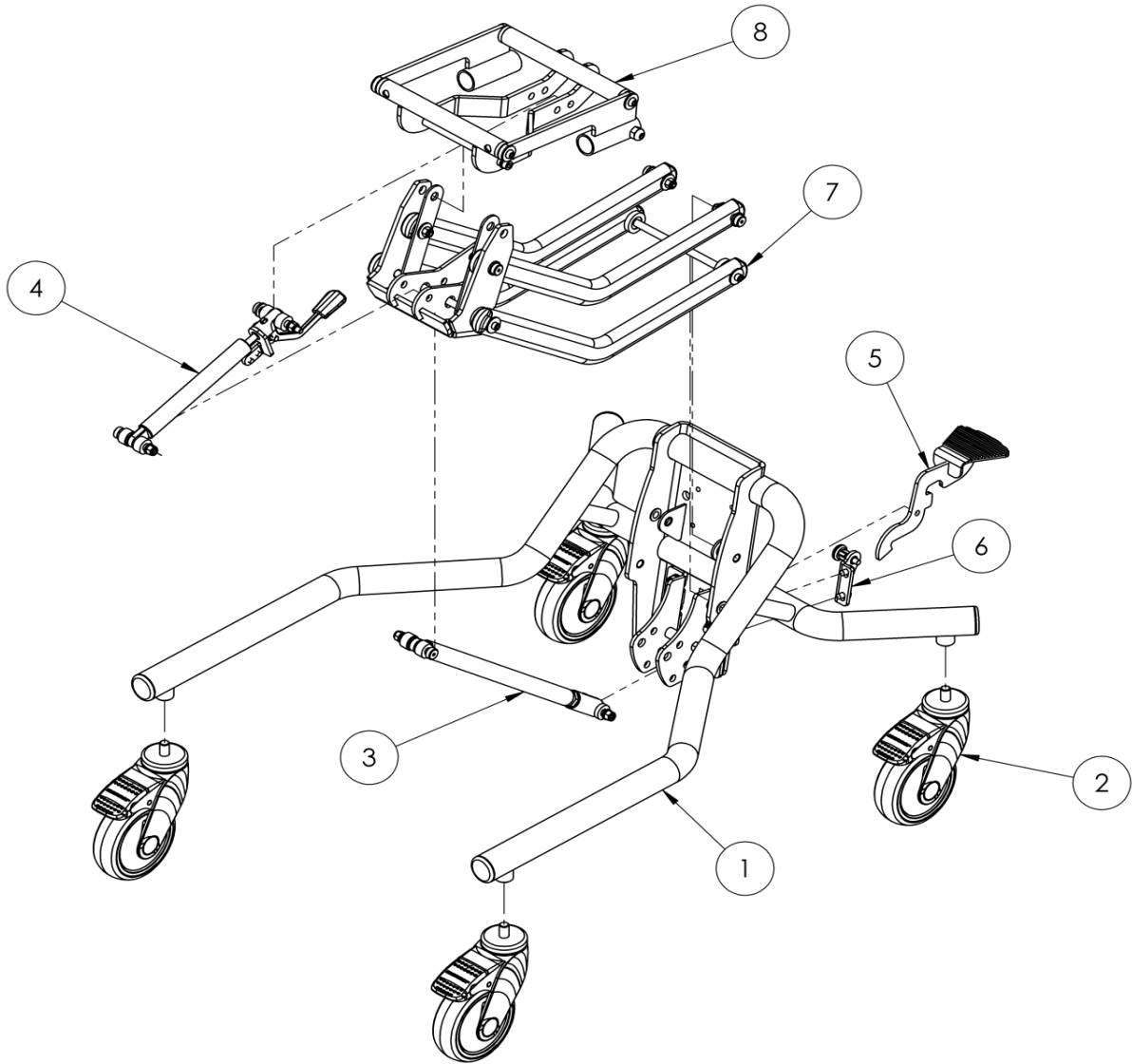
Pos.	Leckey Code	Description	Qty	Compatible with	
				Size 1	Size 2
1	137-800-05	Contoured Headrest Cushion	1	✓	✓
2	137-801-XX	Shoulder Cushion	1		✓
3	137-802-XX	Backrest Cushion	1	✓	✓
4	137-806-05	Lateral Covers (Pair)	1	✓	✓
5	137-807-05	Head/Hip Lateral Covers (Pair)	1	✓	✓
6	117-801	Pelvic Harness Small w/Hip Brackets	1	✓	✓
6	117-802	Pelvic Harness Medium w/Hip Brackets	1	✓	✓
7	117-852-XX	Seatbase Cushion Size 1	1	✓	✓
7	137-804-XX	Seatbase Cushion Size 2	1	✓	✓
8	117-844	Femoral Guide Covers (Pair)	1	✓	✓
9	117-850-XX	Flat Headrest Cushion	1	✓	✓
10	137-808	Chest Harness	1	✓	✓
11	120-779	Trunk Harness - Small	1	✓	
11	120-757	Trunk Harness - Medium	1	✓	✓
11	117-761	Trunk Harness - Large	1		✓
12	120-9029	Trunk Harness Attachment Kit	1	✓	✓
13	117-749	Pelvic Harness Attachment Kit	1	✓	✓
14	137-803-XX	Sacral Pad	1	✓	✓
15	133-728	Pelvic Cradle	1	✓	✓
16	133-733	Pelvic Cradle Attachment Kit	1	✓	✓

Tray Assembly



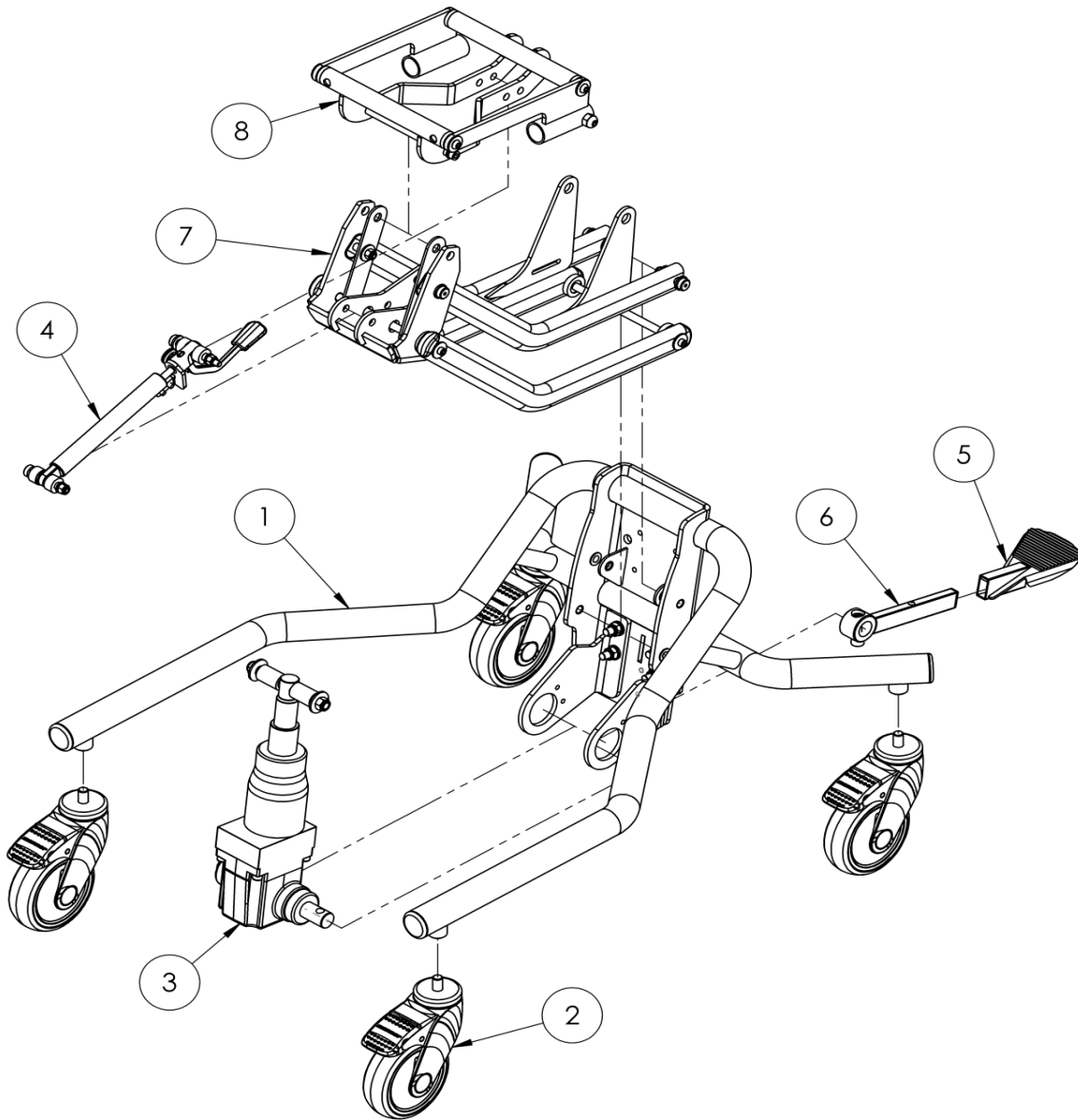
Pos.	Leckey Code	Description	Qty	Compatible with	
				Size 1	Size 2
1	117-722	Tray Bar Assembly RH	1	✓	✓
2	117-723	Tray Bar Assembly LH	1	✓	✓
3	SP-1021	Tray Bar Screw Kit	1	✓	✓
4	SF52	Round Tube Insert	4	✓	✓

Hi-Low Chassis - Manual



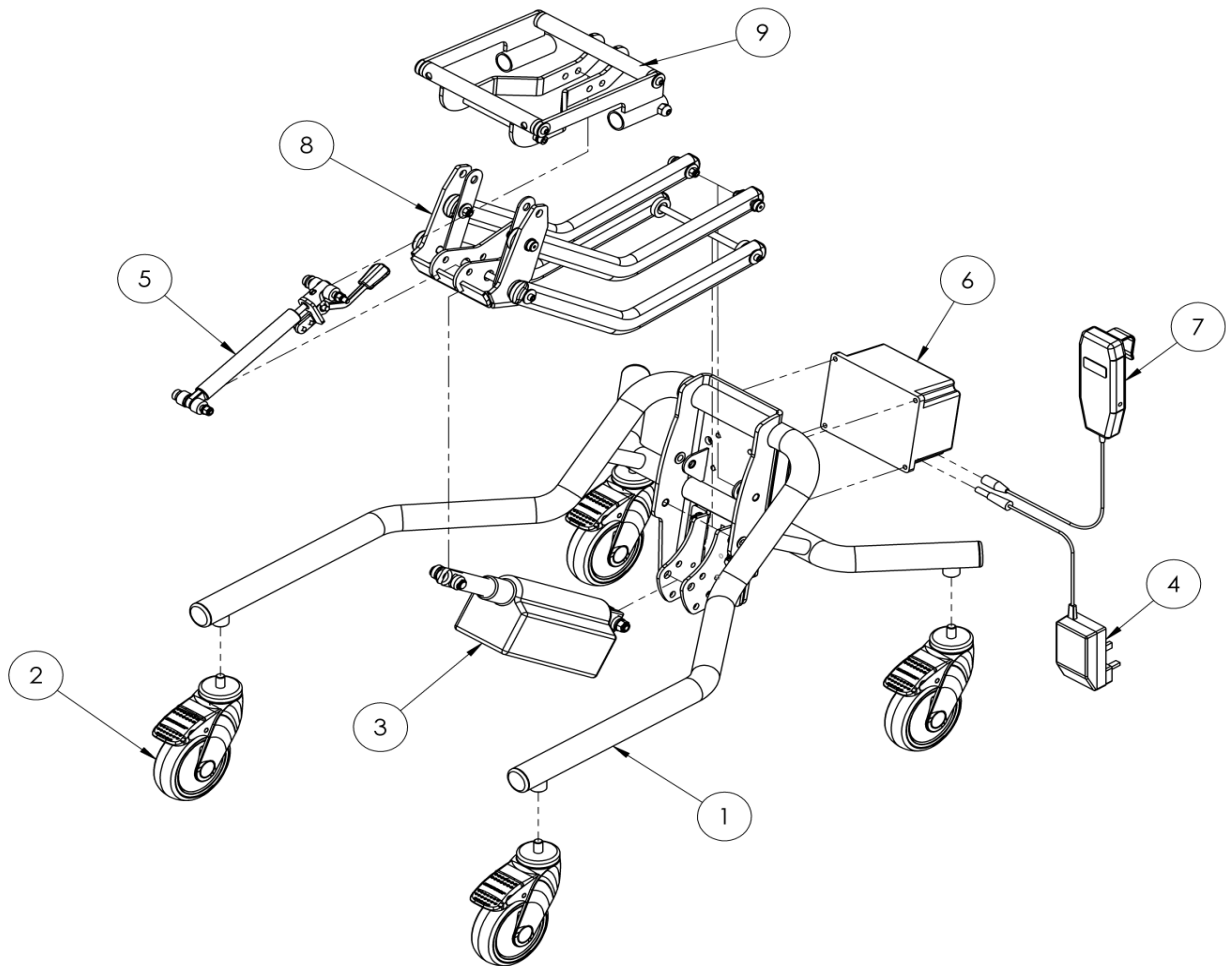
Pos.	Leckey Code	Description	Qty	Compatible with	
				Size 1	Size 2
1	102-1693	Chassis Welded Assy Size 1 & 2	1	✓	✓
2	IA13	Castors	4	✓	✓
3	102-1698	1200N Liftomat Shock - Size 1-3 Assy	1	✓	✓
3	102-1699	100N Liftomat Shock - Size 2-3 Assy	1		✓
4	102-1695	500N Blocolift - Size 1 & 2 Assy	1	✓	✓
4	102-1696	800N Blocolift - Size 3 Assy	1		✓
5	102-1692	Short Foot Pedal	1	✓	✓
6	102-1761	Locking Pin Assy	1	✓	✓
7	117-651	Lever Arm Assembly - Size 1-3	1	✓	✓
8	117-633	Mygo Interface Assembly	1	✓	✓

Hi-Low Chassis - Hydraulic



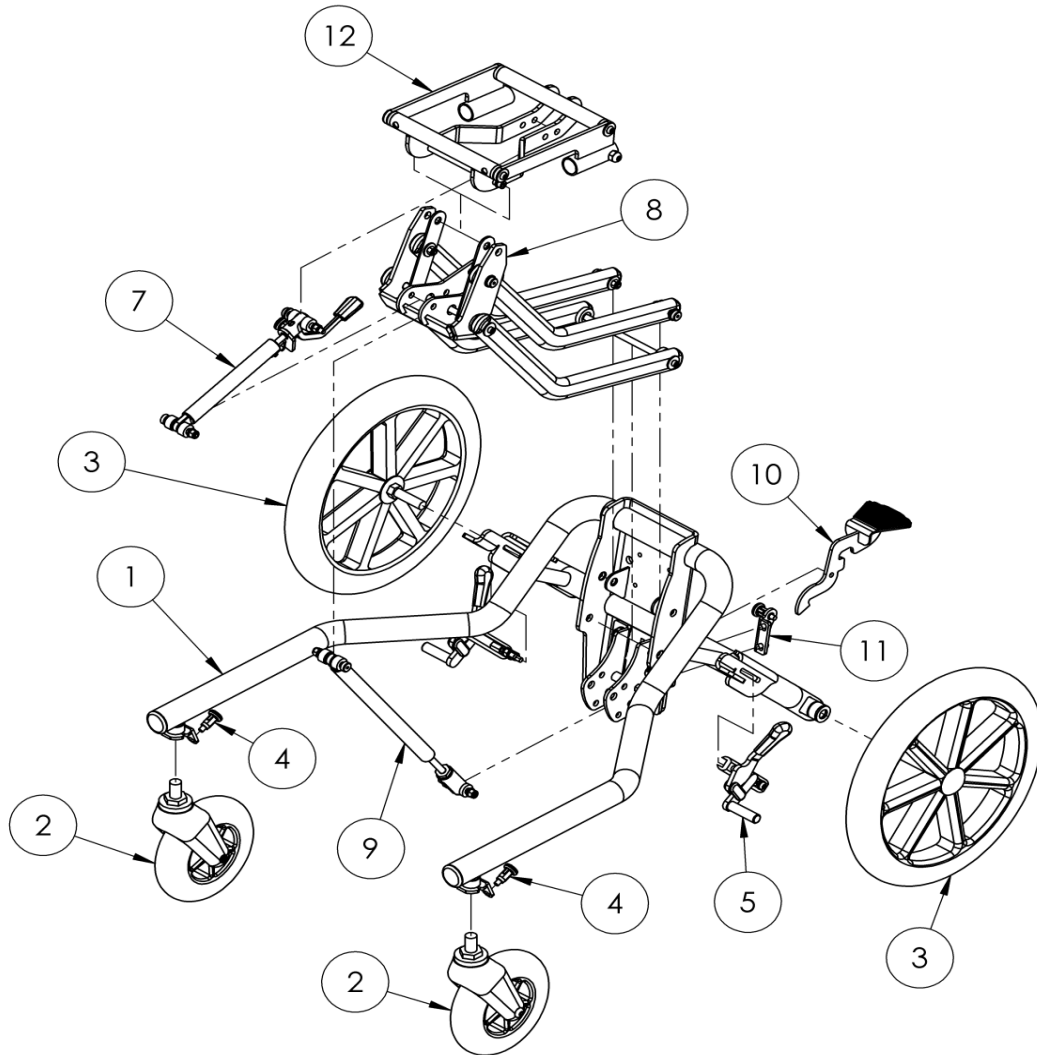
Pos.	Leckey Code	Description	Qty	Compatible with	
				Size 1	Size 2
1	117-933	Chassis Welded Assy - Size 1 & 2	1	✓	✓
2	IA13	Castors	4	✓	✓
3	117-823	Chassis Hydraulic Pack	1	✓	✓
4	102-1695	500N Blocolift Size 1 & 2 Assy	1	✓	✓
5	117-947	Sliding Pedal Outer	1	✓	✓
6	117-948	Inner Pedal Assy	1	✓	✓
7	117-936	Lever Arm Assembly - Size 1 & 2	1	✓	✓
8	117-633	Mygo Interface Assembly	1	✓	✓

Hi-Low Chassis - Powered



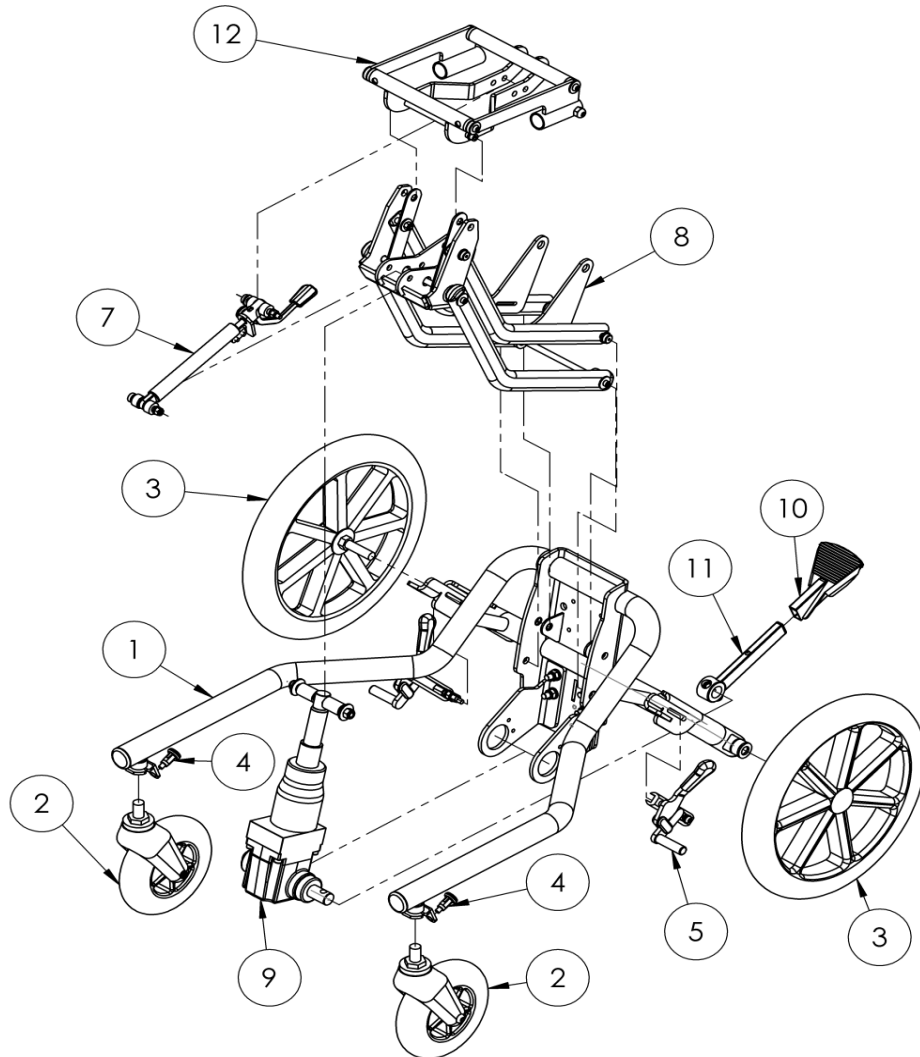
Pos.	Leckey Code	Description	Qty	Compatible with	
				Size 1	Size 2
1	102-1693	Chassis Welded Assy - Size 1 & 2	1	✓	✓
2	IA13	Castors	4	✓	✓
3	102-1694	Actuator Assy	1	✓	✓
4	SI74	Charger - UK	1	✓	✓
5	SI125	Charger - EUR	1	✓	✓
6	SI126	Charger - USA/Japan	1	✓	✓
7	SI127	Charger - AUS	1	✓	✓
8	102-1695	500N Blocolift - Size 1 & 2 Assy	1	✓	✓
9	102-1696	800N Blocolift Size 3 Assy	1	✓	✓
10	SI64	Battery	1	✓	✓
11	SI67	Handset	1	✓	✓
12	117-651	Lever Arm Assembly Size 1-3	1	✓	✓
13	117-633	Mygo Interface Assembly	1	✓	✓

Indoor/Outdoor Hi-Low Chassis - Manual



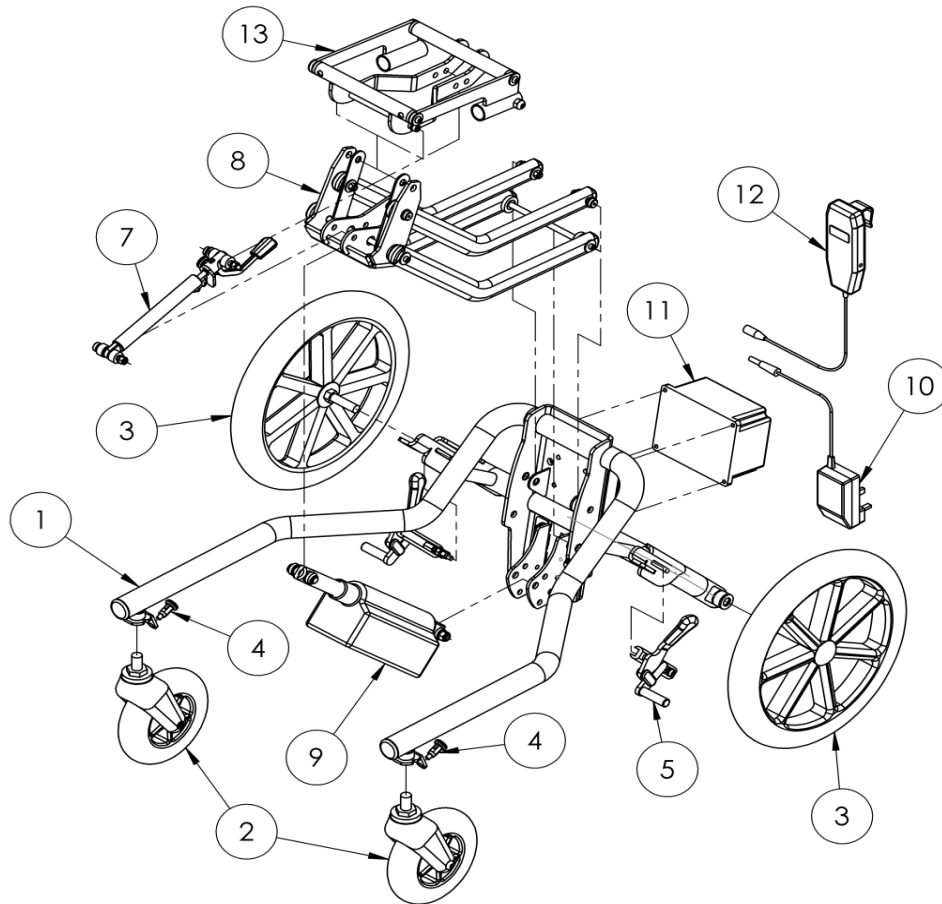
Pos.	Leckey Code	Description	Qty	Compatible with	
				Size 1	Size 2
1	102-1770	Chassis Welded Asst - Size 1 & 2	1	✓	✓
2	133-2084	150mm Front Castor	1	✓	✓
3	133-2087	315mm Rear Wheel	1	✓	✓
4	IA19	Lock Pin	1	✓	✓
5	133-2085	Brake Assy LH	1	✓	✓
6	133-2086	Brake Assy RH	1	✓	✓
7	102-1695	500N Blocolift Size 1 & 2 Assy	1	✓	✓
8	117-651	Lever Arm Assembly Size 1-2	1	✓	✓
9	117-938	1000N Gas Sping	1	✓	✓
10	102-1692	Short Foot Pedal	1	✓	✓
11	102-1761	Locking Pin Assy	1	✓	✓
12	117-633	Mygo Interface Assembly	1	✓	✓

Indoor/Outdoor Hi-Low Chassis - Hydraulic



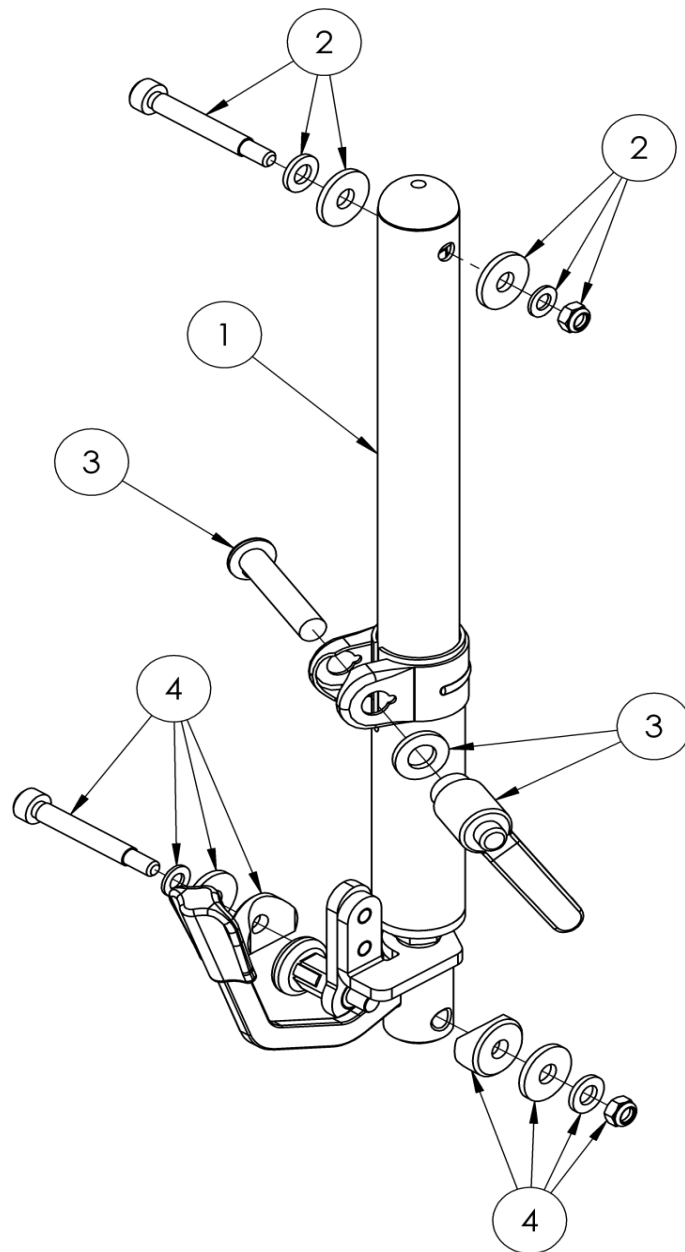
Pos.	Leckey Code	Description	Qty	Compatible with	
				Size 1	Size 2
1	102-1770	Chassis Welded Asst - Size 1 & 2	1	✓	✓
2	133-2084	150mm Front Castor	1	✓	✓
3	133-2087	315mm Rear Wheel	1	✓	✓
4	IA19	Lock Pin	1	✓	✓
5	133-2085	Brake Assy LH	1	✓	✓
6	133-2086	Brake Assy RH	1	✓	✓
7	102-1695	500N Blocolift Size 1 & 2 Assy	1	✓	✓
8	117-936	Lever Arm Assembly Size 1-2	1	✓	✓
9	117-823	Chassis Hydraulic Pack	1	✓	✓
10	117-947	Sliding Pedal Outer	1	✓	✓
11	117-948	Inner Pedal Assy	1	✓	✓
12	117-633	Mygo Interface Assembly	1	✓	✓

Indoor/Outdoor Hi-Low Chassis - Powered



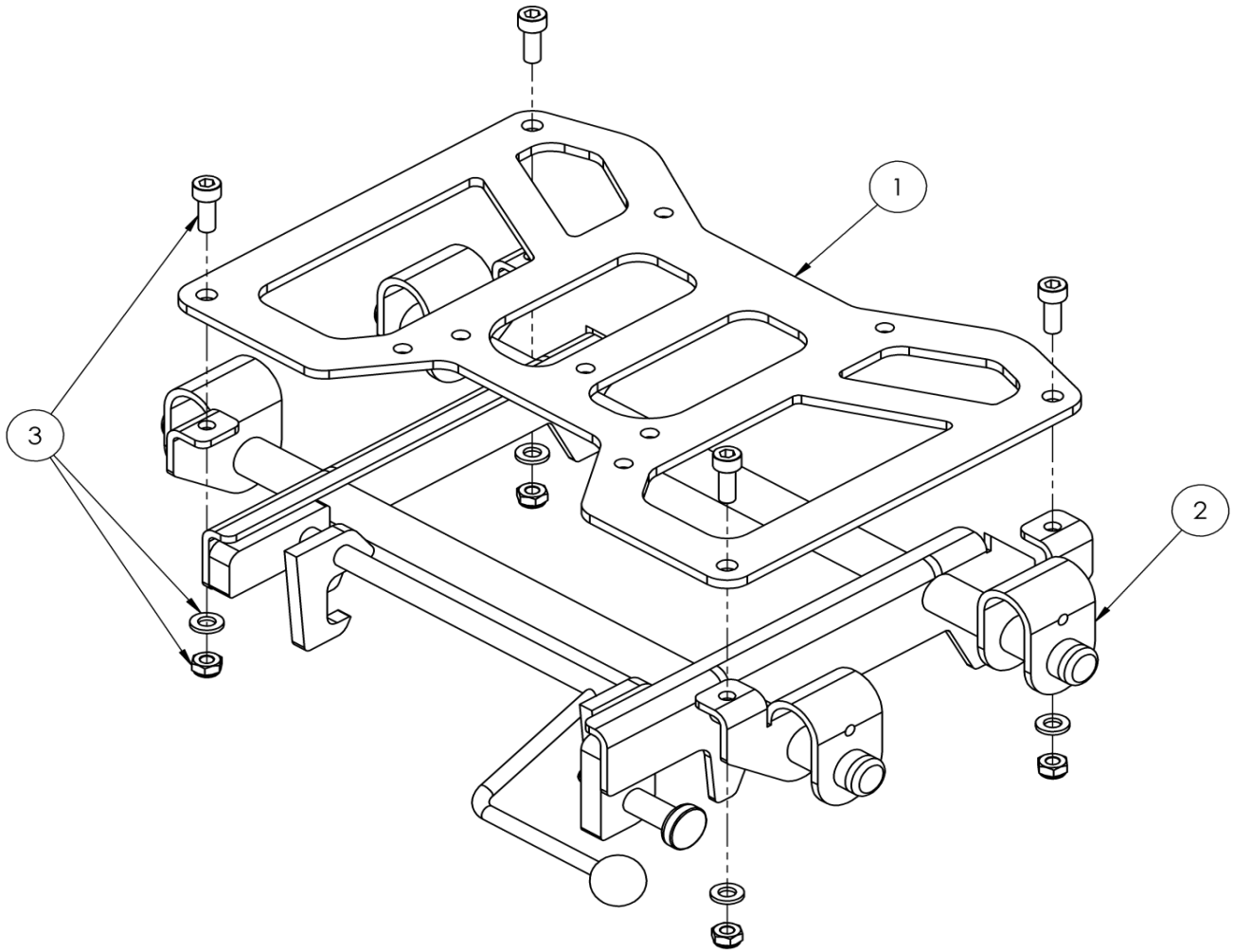
Pos.	Leckey Code	Description	Qty	Compatible with	
				Size 1	Size 2
1	102-1770	Chassis Welded Asst - Size 1 & 2	1	✓	✓
2	133-2084	150mm Front Castor	1	✓	✓
3	133-2087	315mm Rear Wheel	1	✓	✓
4	IA19	Lock Pin	1	✓	✓
5	133-2085	Brake Assy LH	1	✓	✓
6	133-2086	Brake Assy RH	1	✓	✓
7	102-1695	500N Blocolift Size 1 & 2 Assy	1	✓	✓
8	117-651	lever Arm Assembly Size 1-2	1	✓	✓
9	102-1694	Actuator Assy	1	✓	✓
10	SI74	Charger - UK	1	✓	✓
10	SI125	Charger - EUR	1	✓	✓
10	SI126	Charger - USA/Japan	1	✓	✓
10	SI127	Charger - AUS	1	✓	✓
11	SI64	Battery	1	✓	✓
12	SI67	Handset	1	✓	✓
13	117-633	Mygo Interface Assembly	1	✓	✓

Dynamic Backrest (50N/100N/150N)



Pos.	Leckey Code	Description	Qty	Compatible with	
				Size 1	Size 2
1	137-660	Dynamic Backrest Assy (50N Gas Spring)	1	✓	✓
1	137-661	Dynamic Backrest Assy (100N Gas Spring)	1	✓	✓
1	137-662	Dynamic Backrest Assy (150N Gas Spring)	1	✓	✓
2	SP-1060	Dynamic Backrest Assy Attachment Kit	1	✓	✓
3	SP-1061	Dynamic Backrest Adjustment Kit	1	✓	✓
4	SP-1004	Back Angle Attachment Kit	1	✓	✓

Snappi Interface



Pos.	Leckey Code	Description	Qty	Compatible with	
				Size 1	Size 2
1	117-515	Intermediate Plate	1	✓	✓
2	137-685	Snappi Interface	1	✓	✓
3	SP-1062	Snappi Interface Attachment Kit	4	✓	✓