

Mygo Max Spare Parts Catalogue



Contents

| | |
|----|---|
| 03 | Mygo Max Seat Assembly |
| 05 | Backrest Assembly |
| 06 | Foot Support Assembly (LH) |
| 07 | Foot Support Assembly (RH) |
| 08 | Abduction Assembly (LH) |
| 09 | Abduction Assembly (RH) |
| 10 | Seatbase Assembly |
| 11 | Fixed Lateral Assembly |
| 12 | Flip Away Lateral Assembly |
| 13 | Complex Lateral Assembly |
| 14 | Side Pad Assembly |
| 15 | Armrest Assembly (LH) |
| 16 | Armrest Assembly (RH) |
| 17 | Mygo S1 & 2 Style Headrest Assembly |
| 18 | Large Headrest With Adjustable Wings Assembly |
| 19 | Tray Assembly (Black Or Clear) |
| 20 | Standard Sacral Pad And Cover |
| 21 | Angle Adjustable Sacral Assembly |
| 22 | Interface Replacement Kit |
| 23 | Large Femoral Gables |
| 24 | Sandal Assembly |
| 25 | Standard Cushion Set |
| 26 | Memory Foam Cushion Set |
| 27 | Handle Bar Assembly |
| 28 | Hydraulic Chassis |
| 29 | Power Chassis |

Please substitute -XX for the following colours when placing order:

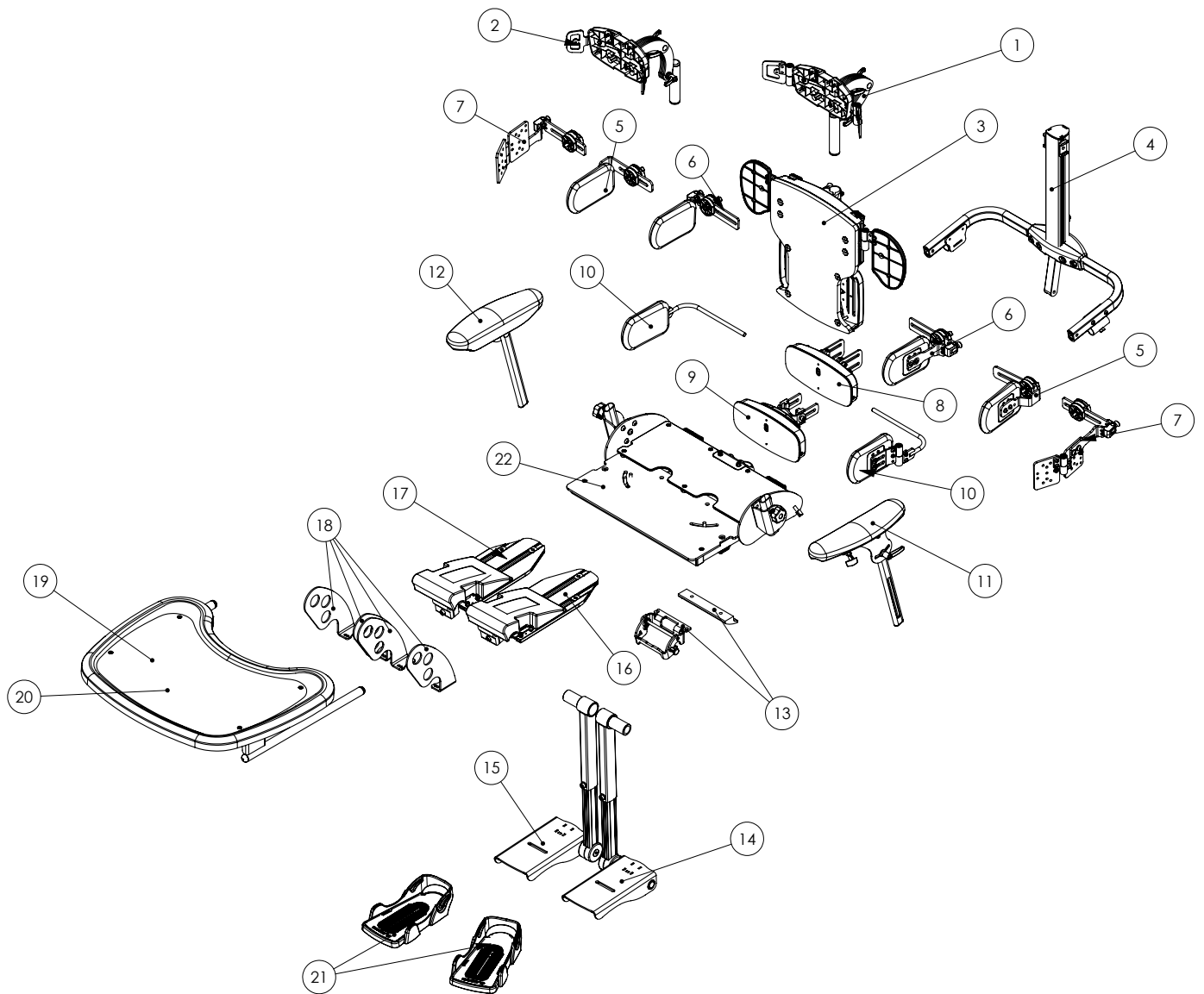
02 - Orange

03 - Blue

04 - Pink

15 - Grey

Mygo Max Seat Assembly



Mygo Max Seat Assembly

| Pos. | Leckey Code | Description | Qty |
|------|-------------|--|-----|
| 1 | 161-694 | Large Headrest Assembly with Adjustable Wings (with cover) | 1 |
| 2 | 161-674 | Mygo Size 1 & 2 Style Headrest (with cover) | 1 |
| 3 | 161-633 | Backrest Assembly | 1 |
| 4 | 161-616 | Back Spine Assembly | 1 |
| 5 | 161-615 | Fixed Laterals with covers (Pair) | 1 |
| 6 | 161-689 | Flip Away Laterals with covers (Pair) | 1 |
| 7 | 161-690 | Complex Laterals with covers (Pair) | 1 |
| 8 | 161-631 | Standard Sacral Pad (with cover) | 1 |
| 9 | 161-692 | Angle Adjustable Sacral Pad (with cover) | 1 |
| 10 | 161-696 | Side Pads with covers (Pair) | 1 |
| 11 | 161-647 | Armrest Assembly (LH) | 1 |
| 12 | 161-648 | Armrest Assembly (RH) | 1 |
| 13 | 161-668 | Interface Assembly | 1 |
| 14 | 161-683 | Foot Support Assembly (LH) | 1 |
| 15 | 161-684 | Foot Support Assembly (RH) | 1 |
| 16 | 161-651 | Abduction Assembly (LH) | 1 |
| 17 | 161-652 | Abduction Assembly (RH) | 1 |
| 18 | 161-608 | Large Femorals (with covers) | 1 |
| 19 | 161-664 | Tray Assembly (Black) | 1 |
| 20 | 161-695 | Tray Assembly (Clear) | 1 |
| 21 | 152-3600 | Sandal Assembly (Pair) | 1 |
| 22 | 161-601 | Seatbase Assembly | 1 |
| 23 | 161-900-XX | Cushion Set (Standard) | 1 |
| 24 | 161-961-XX | Cushion Set (Memory Foam Seat base) | 1 |

Please substitute -XX for the following colours when placing order:

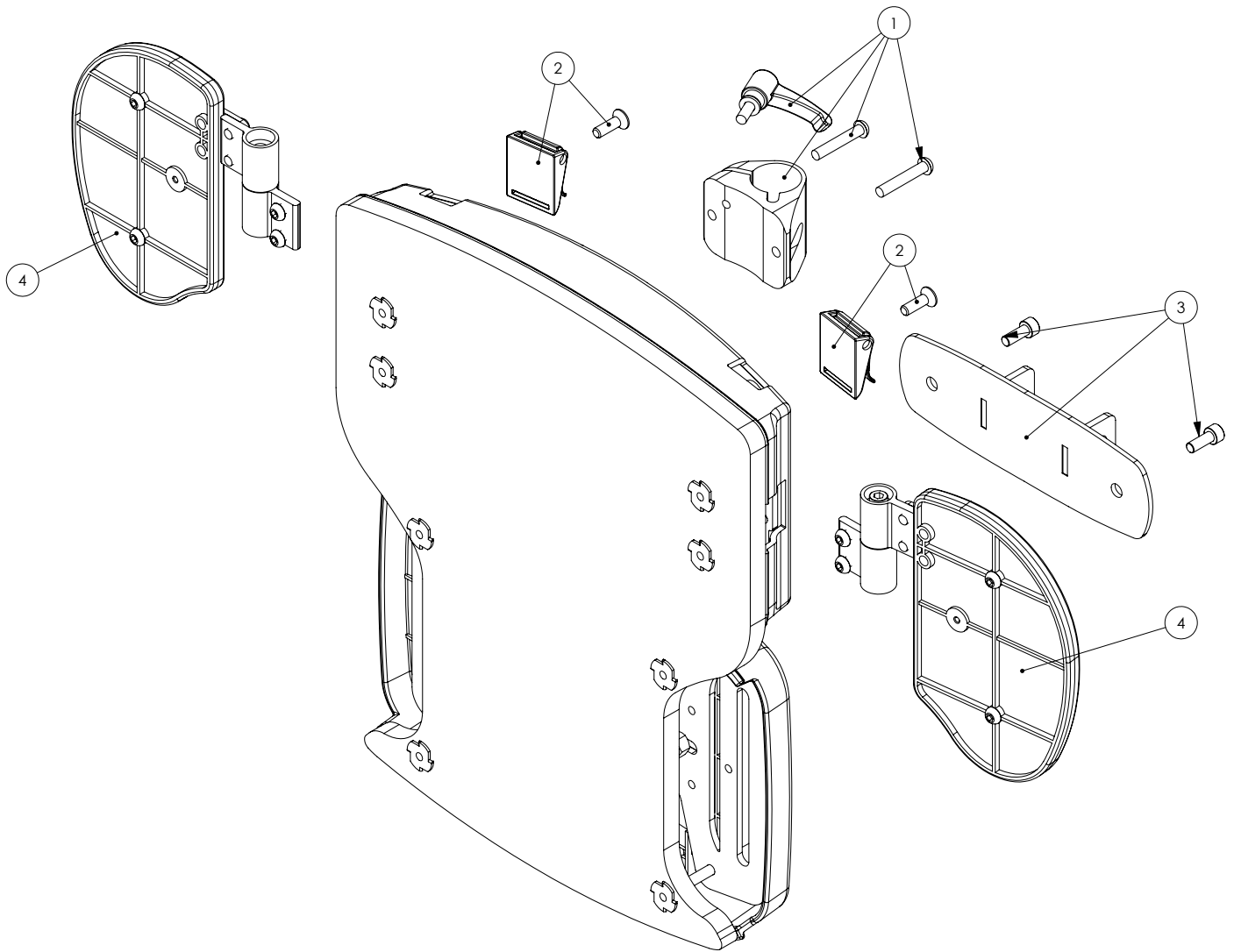
02 - Orange

03 - Blue

04 - Pink

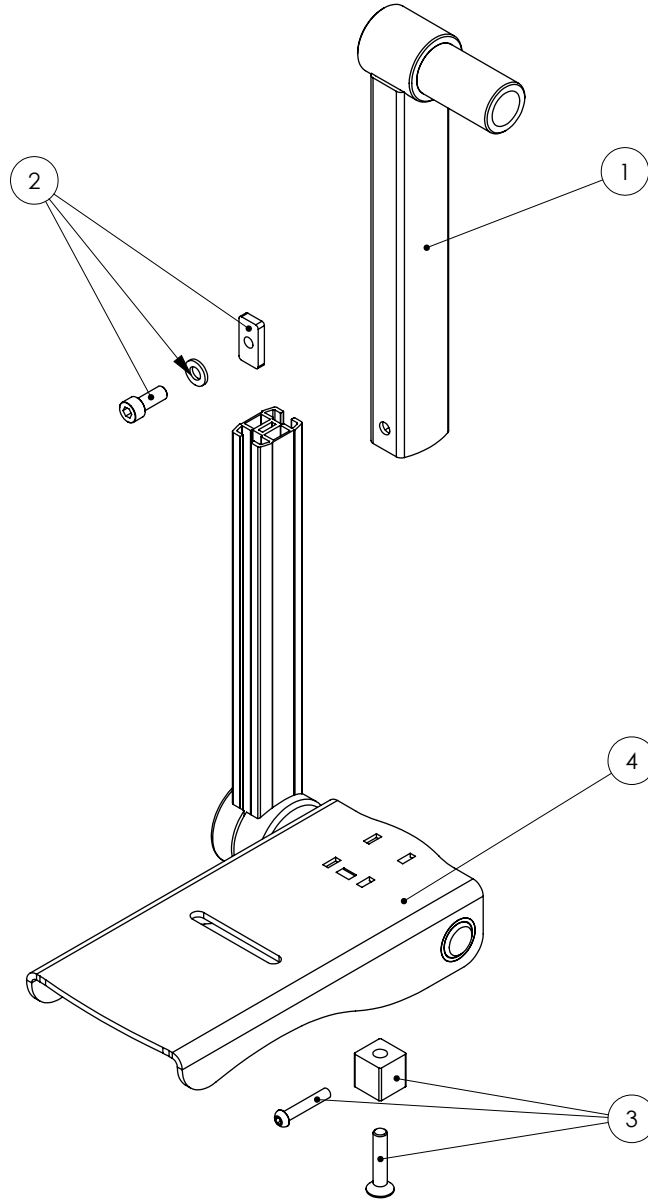
15 - Grey

Backrest Assembly



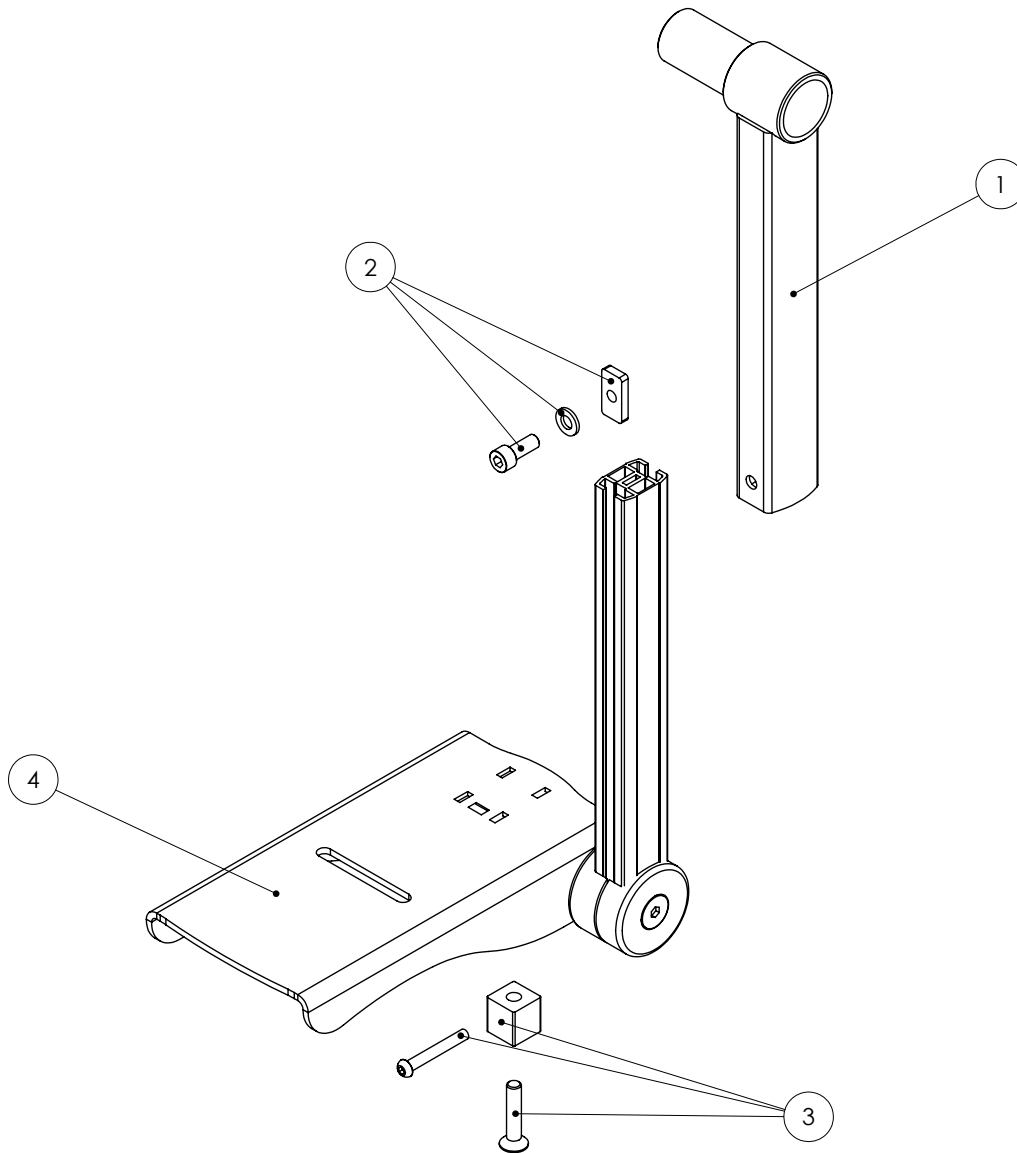
| Pos. | Leckey Code | Description | Qty |
|------|-------------|--------------------------|-----|
| 1 | 161-1000 | Headrest Attachment Kit | 1 |
| 2 | 161-1001 | Camlock Attachment Kit | 1 |
| 3 | 161-1002 | Backrest Attachment Kit | 1 |
| 4 | 161-1003 | Shoulder Wing Kit (Pair) | 1 |

Foot Support Assembly (LH)



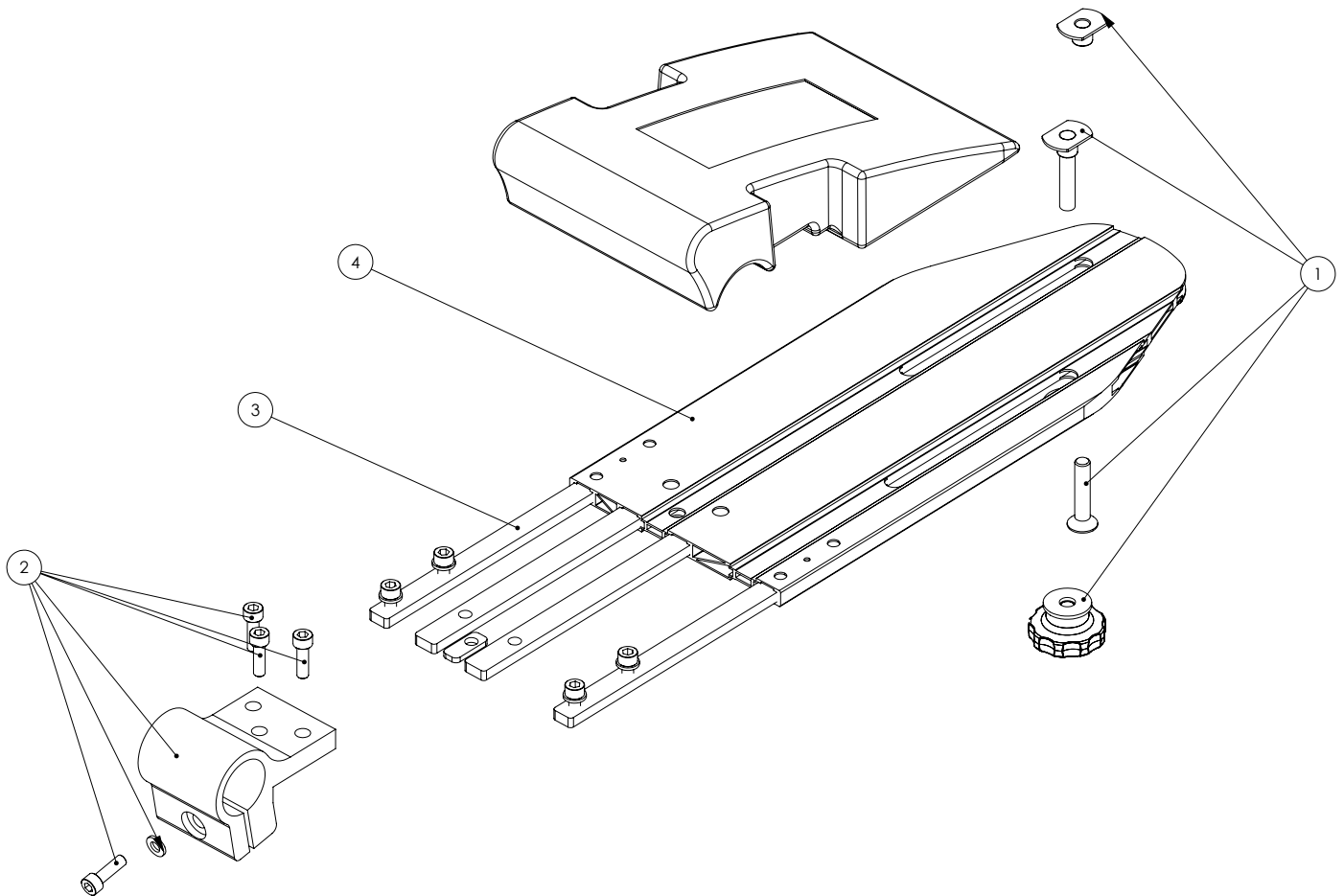
| Pos. | Leckey Code | Description | Qty |
|------|-------------|----------------------------|-----|
| 1 | 133-654 | Calf Support Outer LH | 1 |
| 2 | 161-1004 | Calf Height Adjustment Kit | 1 |
| 3 | 161-1005 | Angle Adjustment Kit | 1 |
| 4 | 161-1006 | Footplate Replacement Kit | 1 |

Foot Support Assembly (RH)



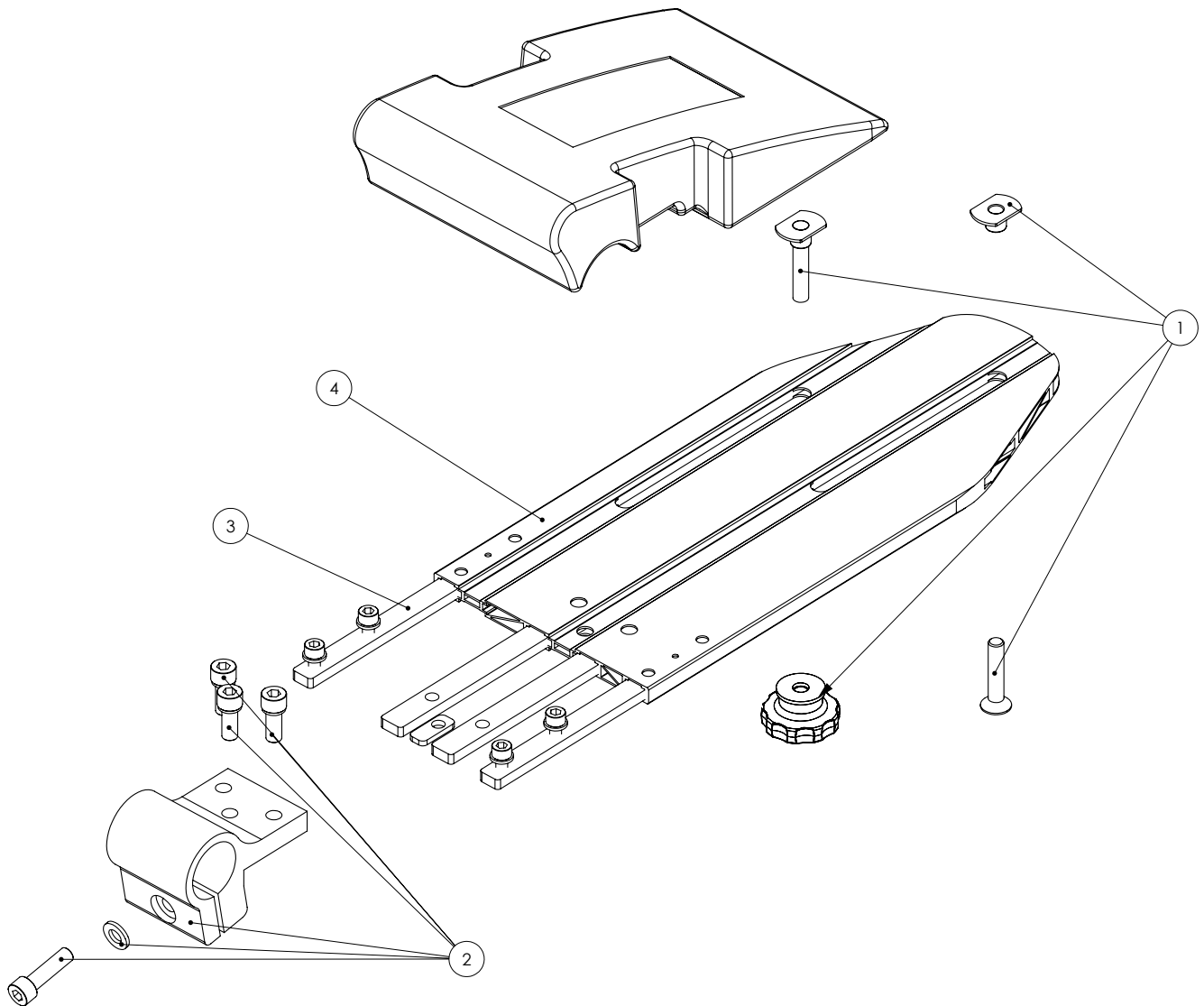
| Pos. | Leckey Code | Description | Qty |
|------|-------------|----------------------------|-----|
| 1 | 133-654 | Calf Support Outer LH | 1 |
| 2 | 161-1004 | Calf Height Adjustment Kit | 1 |
| 3 | 161-1005 | Angle Adjustment Kit | 1 |
| 4 | 161-1006 | Footplate Replacement Kit | 1 |

Abduction Assembly (LH)



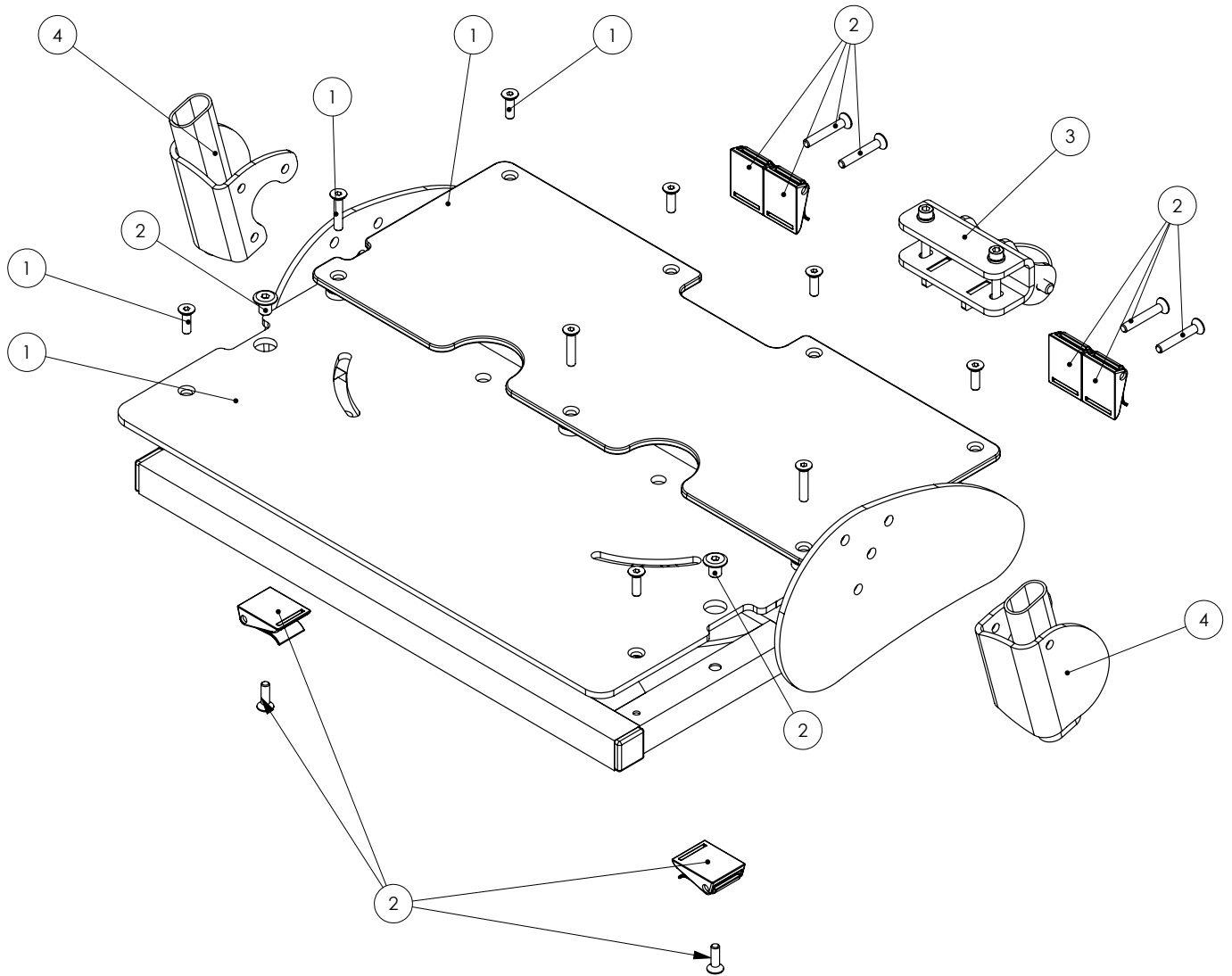
| Pos. | Leckey Code | Description | Qty |
|------|-------------|---------------------------------|-----|
| 1 | 161-1007 | Abduction Adjustment Kit | 1 |
| 2 | 161-1008 | Calf Support Clamp Kit | 1 |
| 3 | 161-1009 | Flat Headrest Laterals & Covers | 1 |
| 4 | 139-210 | Femoral Guide LH | 1 |

Abduction Assembly (RH)



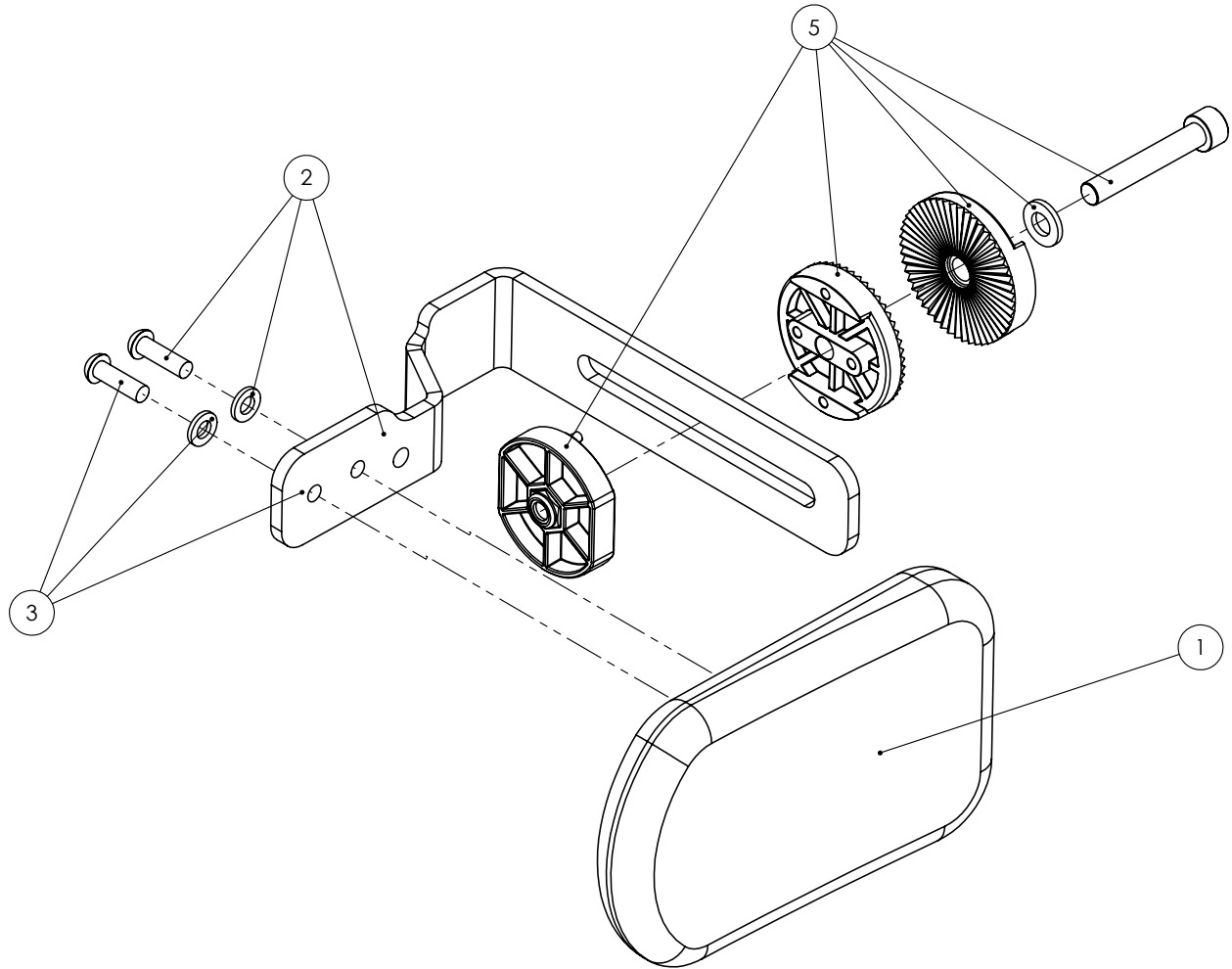
| Pos. | Leckey Code | Description | Qty |
|------|-------------|---------------------------|-----|
| 1 | 161-1007 | Abduction Adjustment Kit | 1 |
| 2 | 161-1008 | Calf Support Clamp Kit | 1 |
| 3 | 161-1009 | Femoral Strengthening Kit | 1 |
| 4 | 139-210 | Femoral Guide LH | 1 |

Seatbase Assembly



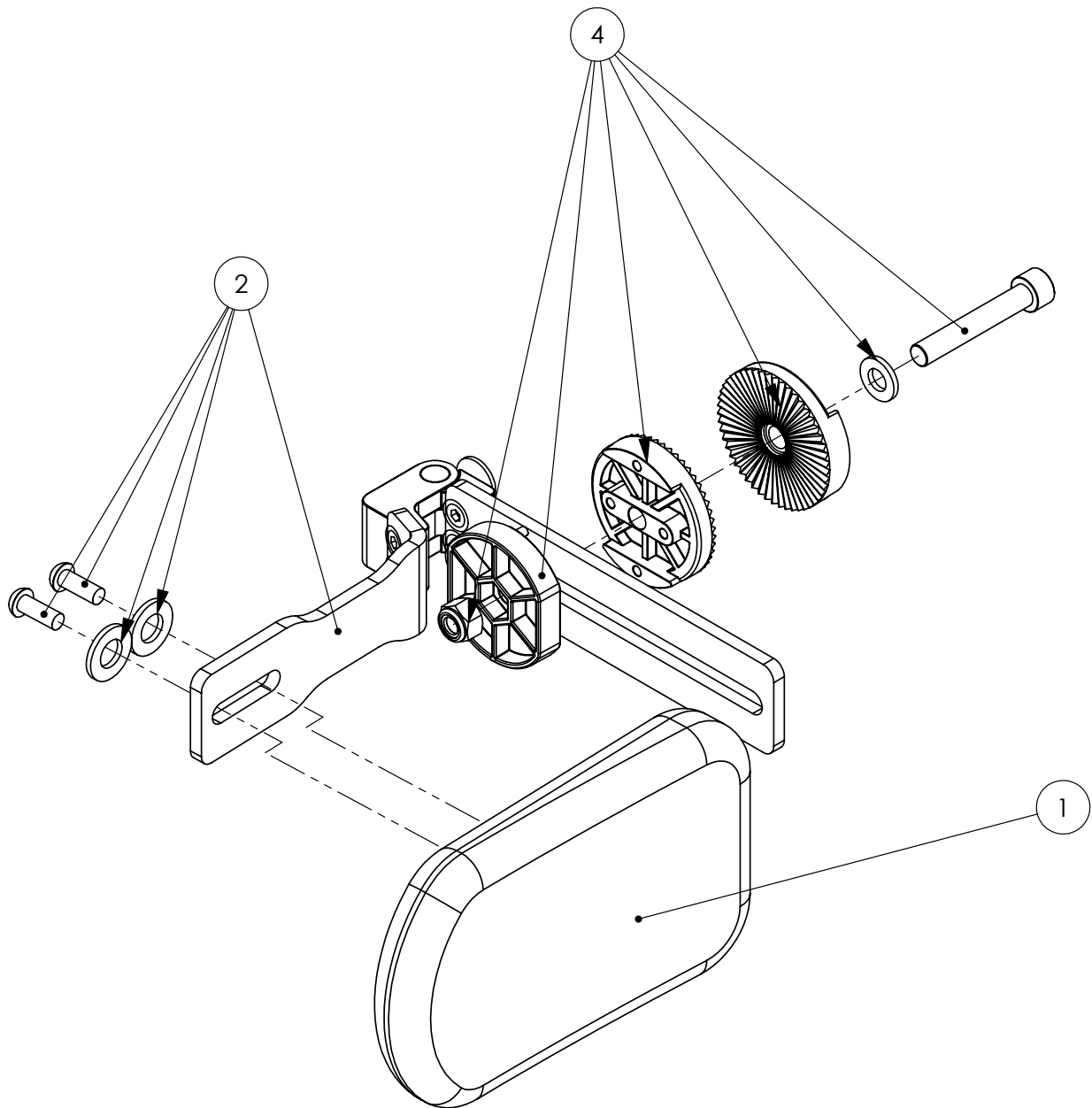
| Pos. | Leckey Code | Description | Qty |
|------|-------------|---|-----|
| 1 | 161-1057 | ABS Replacement Kit | 1 |
| 2 | 161-1058 | Camlock Attachment Kit | 1 |
| 3 | 161-1059 | Rear Lug Replacement Kit | 1 |
| 4 | 161-1060 | Armrest Receiver Replacement Kit (Pair) | 1 |

Fixed Lateral Assembly



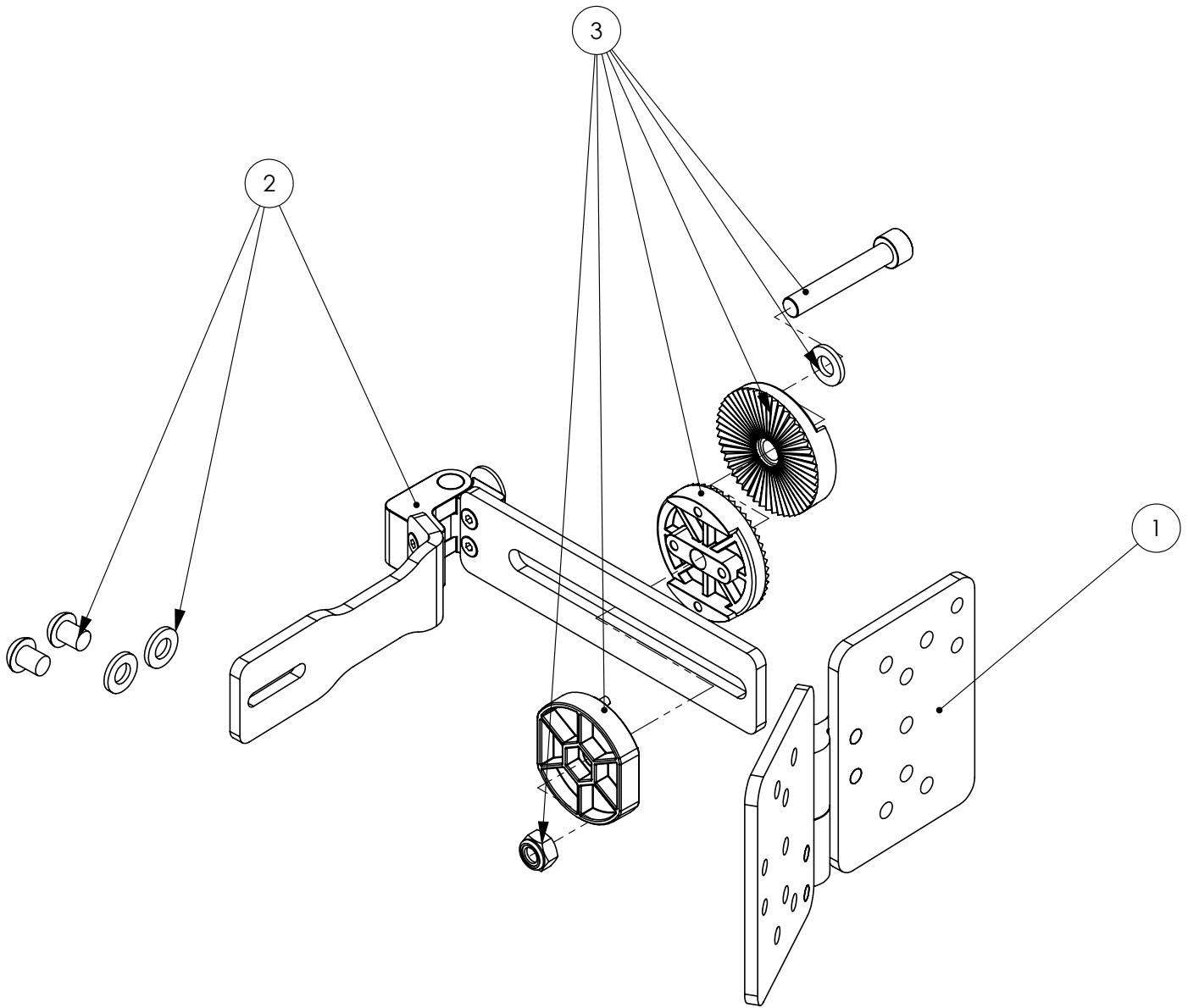
| Pos. | Leckey Code | Description | Qty |
|------|-------------|------------------------------------|-----|
| 1 | 161-1014 | Lateral Assembly (Single) | 1 |
| 2 | 161-1015 | Lateral Bracket & Screw Kit LH | 1 |
| 3 | 161-1016 | Lateral Bracket & Screw Kit RH | 1 |
| 4 | 161-1017 | Harness Buckle Attachment (Single) | 1 |
| 5 | 161-1018 | Angle Lock Assembly (Single) | 1 |
| 6 | 151-3750-05 | Lateral Covers (Pair) | 1 |

Flip Away Lateral Assembly



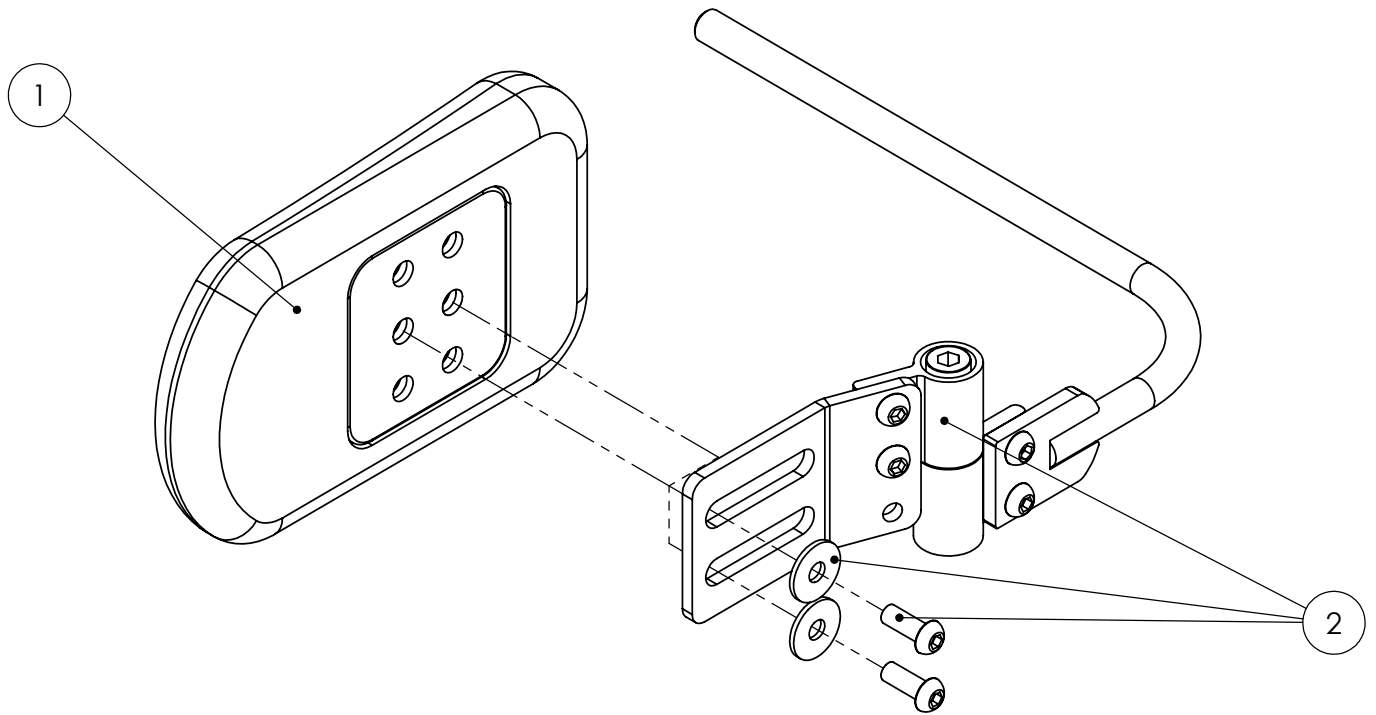
| Pos. | Leckey Code | Description | Qty |
|------|-------------|--------------------------------------|-----|
| 1 | 161-1014 | Lateral Assembly (Single) | 1 |
| 2 | 161-1021 | Lateral Bracket & Screw Kit (Single) | 1 |
| 3 | 161-1017 | Harness Buckle Attachment (Single) | 1 |
| 4 | 161-1018 | Angle Lock Assembly (Single) | 1 |
| 5 | 151-3750-05 | Lateral Covers (Pair) | 1 |

Complex Lateral Assembly



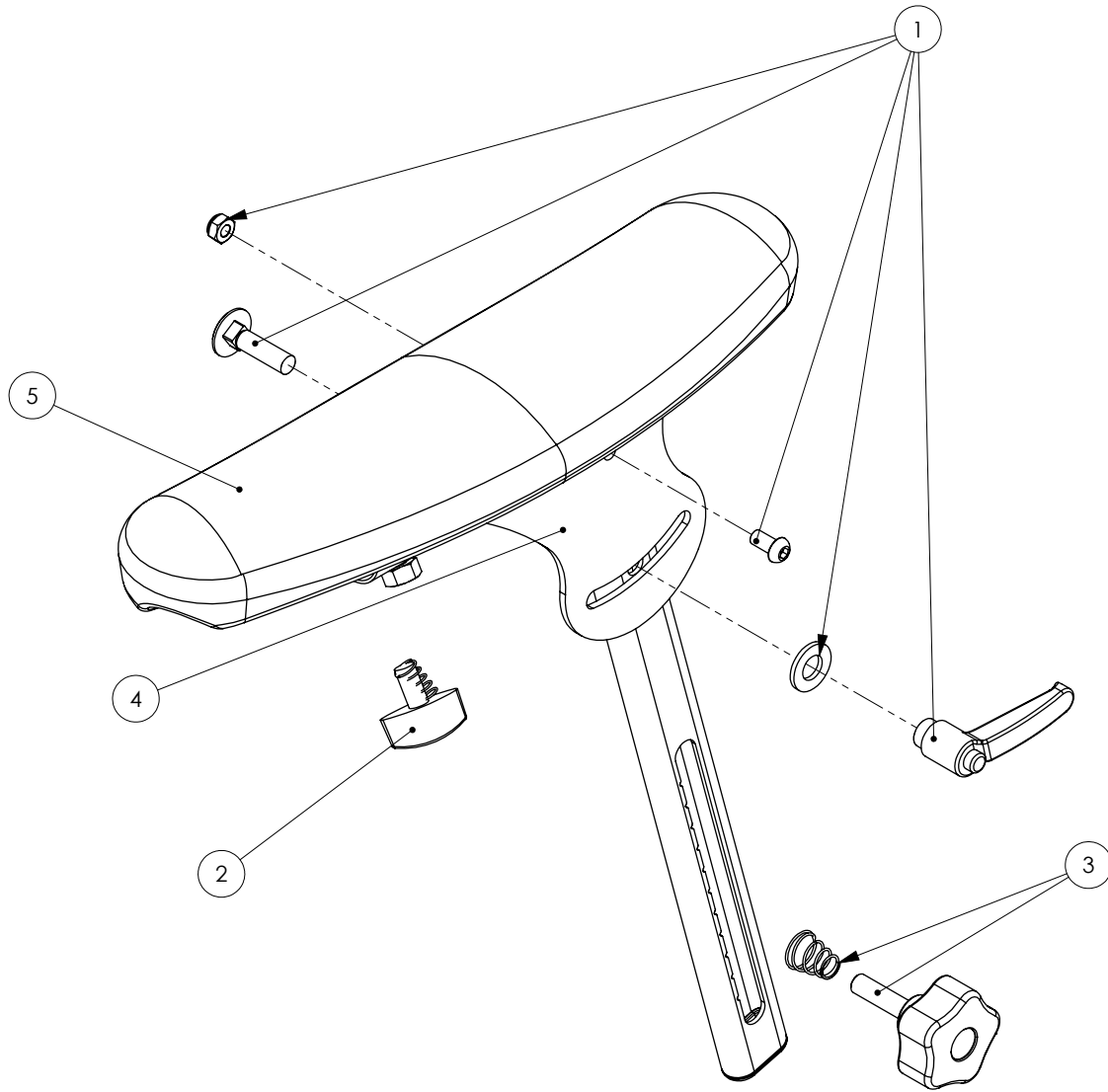
| Pos. | Leckey Code | Description | Qty |
|------|-------------|--------------------------------------|-----|
| 1 | 161-1020 | Complex Lateral Assembly (Single) | 1 |
| 2 | 161-1021 | Lateral Bracket & Screw Kit (Single) | 1 |
| 3 | 161-1018 | Angle Lock Assembly (Single) | 1 |
| 4 | 133-791 | Lateral Covers (Pair) | 1 |

Side Pad Assembly



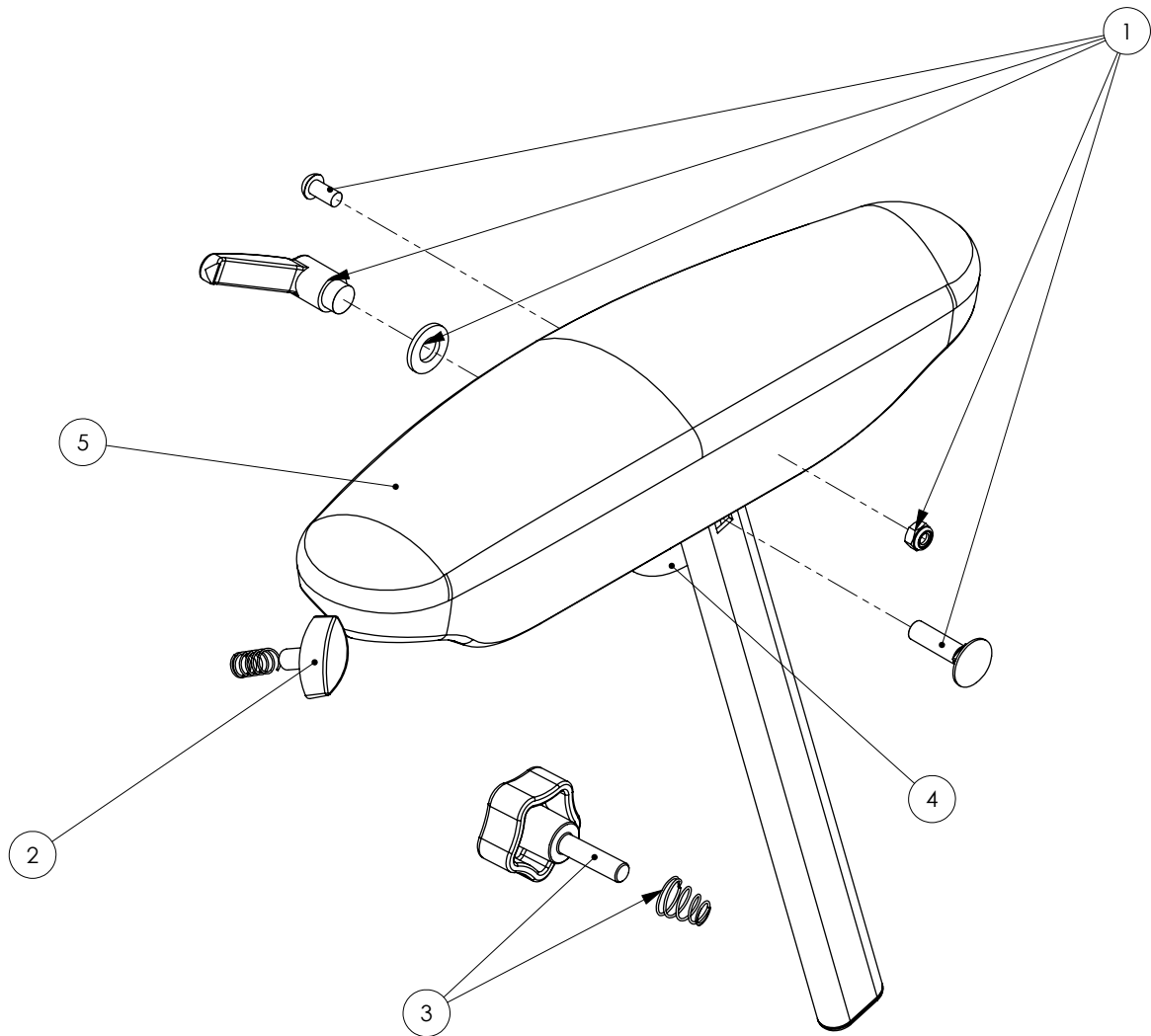
| Pos. | Leckey Code | Description | Qty |
|------|-------------|---------------------------------------|-----|
| 1 | 161-1014 | Lateral Assembly (Single) | 1 |
| 2 | 161-1022 | Side Pad Bracket & Screw Kit (Single) | 1 |
| 3 | 151-3750-05 | Lateral Covers (Pair) | 1 |

Armrest Assembly (LH)



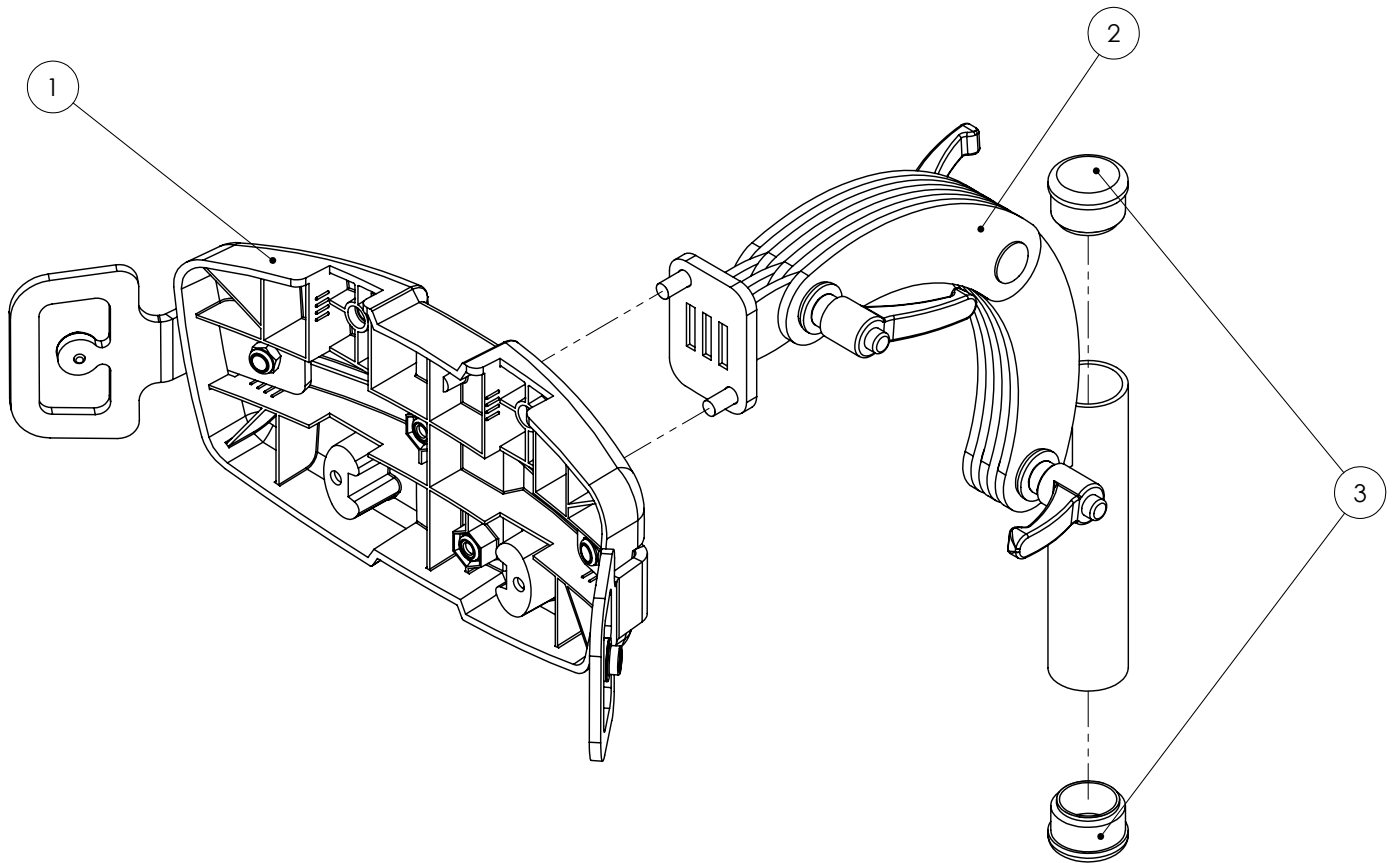
| Pos. | Leckey Code | Description | Qty |
|------|-------------|--------------------------|-----|
| 1 | 161-1023 | Armrest Adjustment Kit | 1 |
| 2 | 161-1024 | Tray to Armrest Wing Nut | 1 |
| 3 | 161-1025 | Armrest Lock Kit | 1 |
| 4 | 161-1026 | Armrest Frame Kit LH | 1 |
| 5 | 161-1027 | Armrest PU Kit | 1 |

Armrest Assembly (RH)



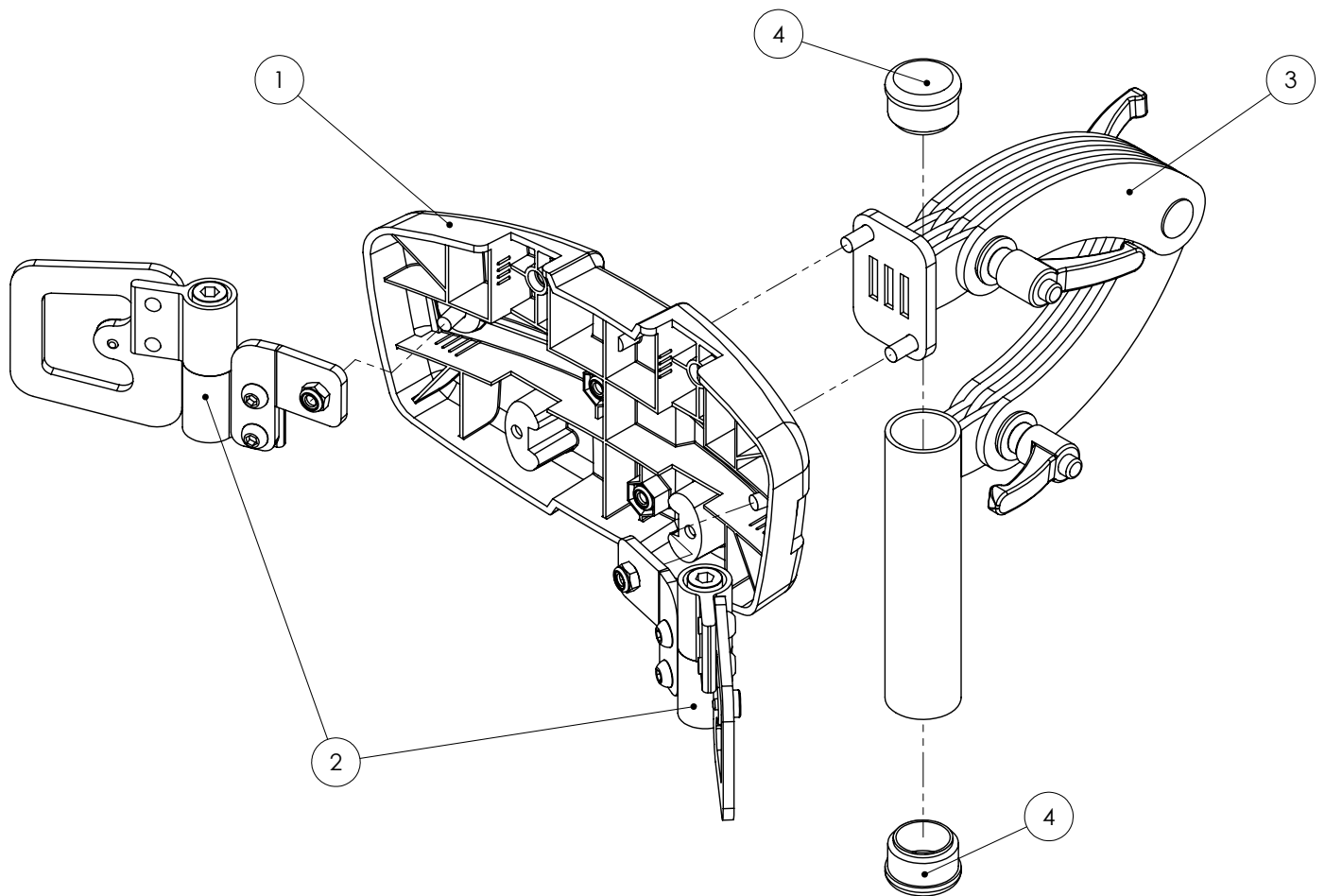
| Pos. | Leckey Code | Description | Qty |
|------|-------------|--------------------------|-----|
| 1 | 161-1023 | Armrest Adjustment Kit | 1 |
| 2 | 161-1024 | Tray to Armrest Wing Nut | 1 |
| 3 | 161-1025 | Armrest Lock Kit | 1 |
| 4 | 161-1028 | Armrest Frame Kit RH | 1 |
| 5 | 161-1027 | Armrest PU Kit | 1 |

Mygo S1 & 2 Style Headrest Assembly



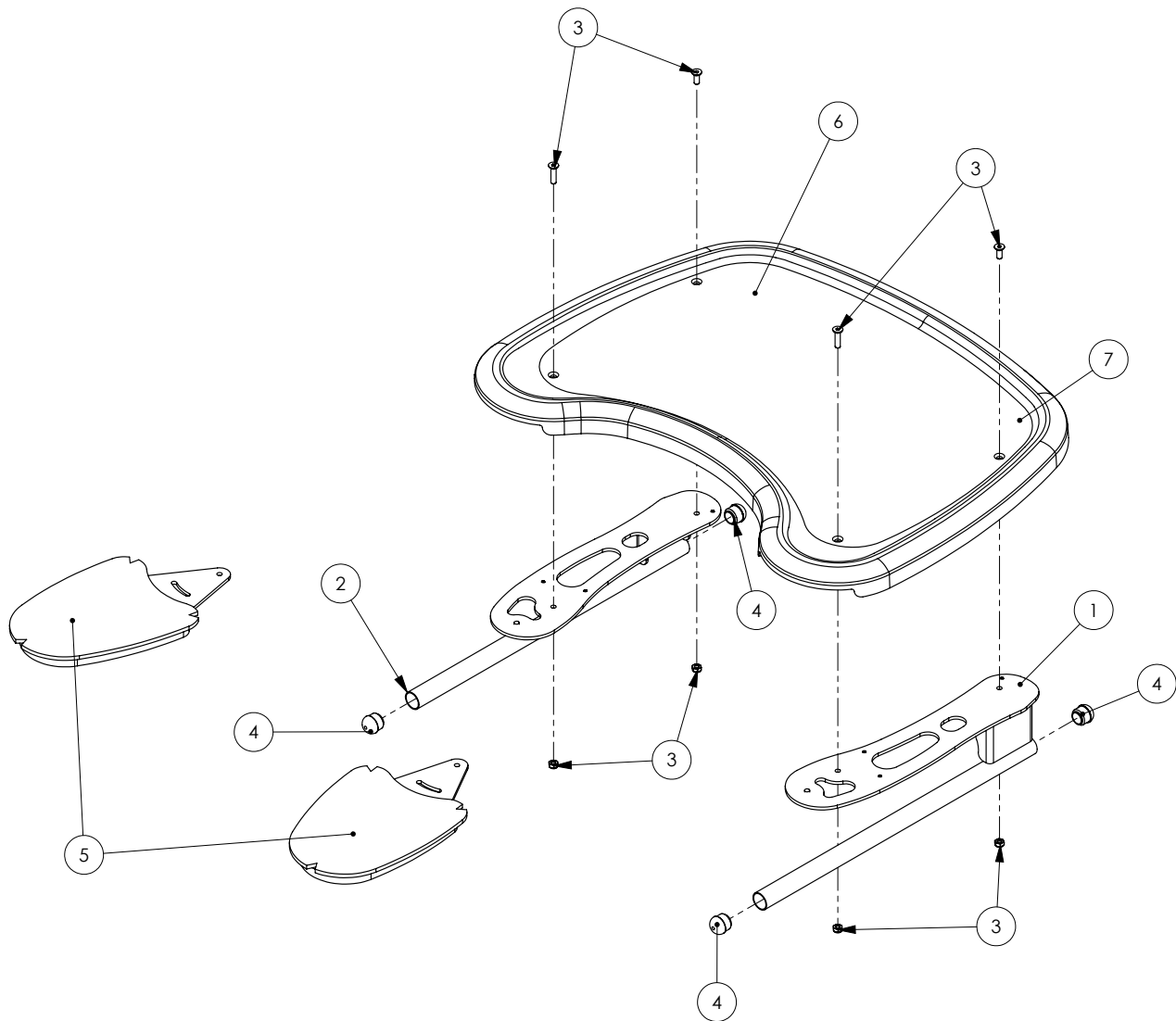
| Pos. | Leckey Code | Description | Qty |
|------|-------------|-------------------------------------|-----|
| 1 | 161-1029 | Contoured Headrest (Hardware Only) | 1 |
| 2 | 161-1030 | Headrest Post & Adjustment Assembly | 1 |
| 3 | 161-1031 | Round Tube Inserts | 1 |
| 4 | 137-800-05 | Contoured Headrest Cushion | 1 |

Large Headrest with Adjustable Wings Assembly



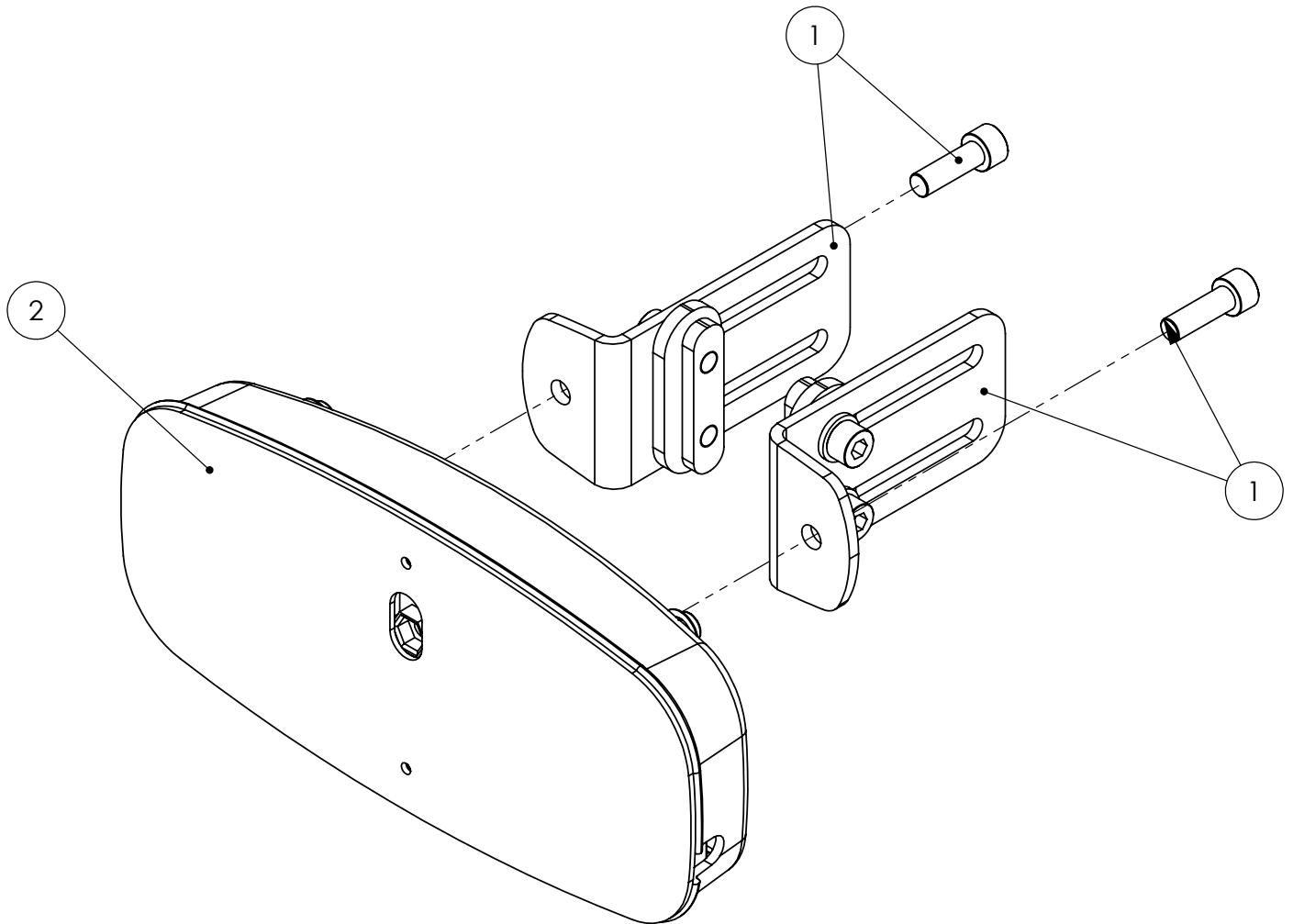
| Pos. | Leckey Code | Description | Qty |
|------|-------------|-------------------------------------|-----|
| 1 | 161-1032 | Contoured Headrest (Hardware Only) | 1 |
| 2 | 161-1033 | Large Headrest Lateral Assembly | 1 |
| 3 | 161-1030 | Headrest Post & Adjustment Assembly | 1 |
| 4 | 161-1031 | Round Tube Inserts | 1 |
| 5 | 161-966 | Contoured Headrest Cushion | 1 |

Tray Assembly (Black or Clear)



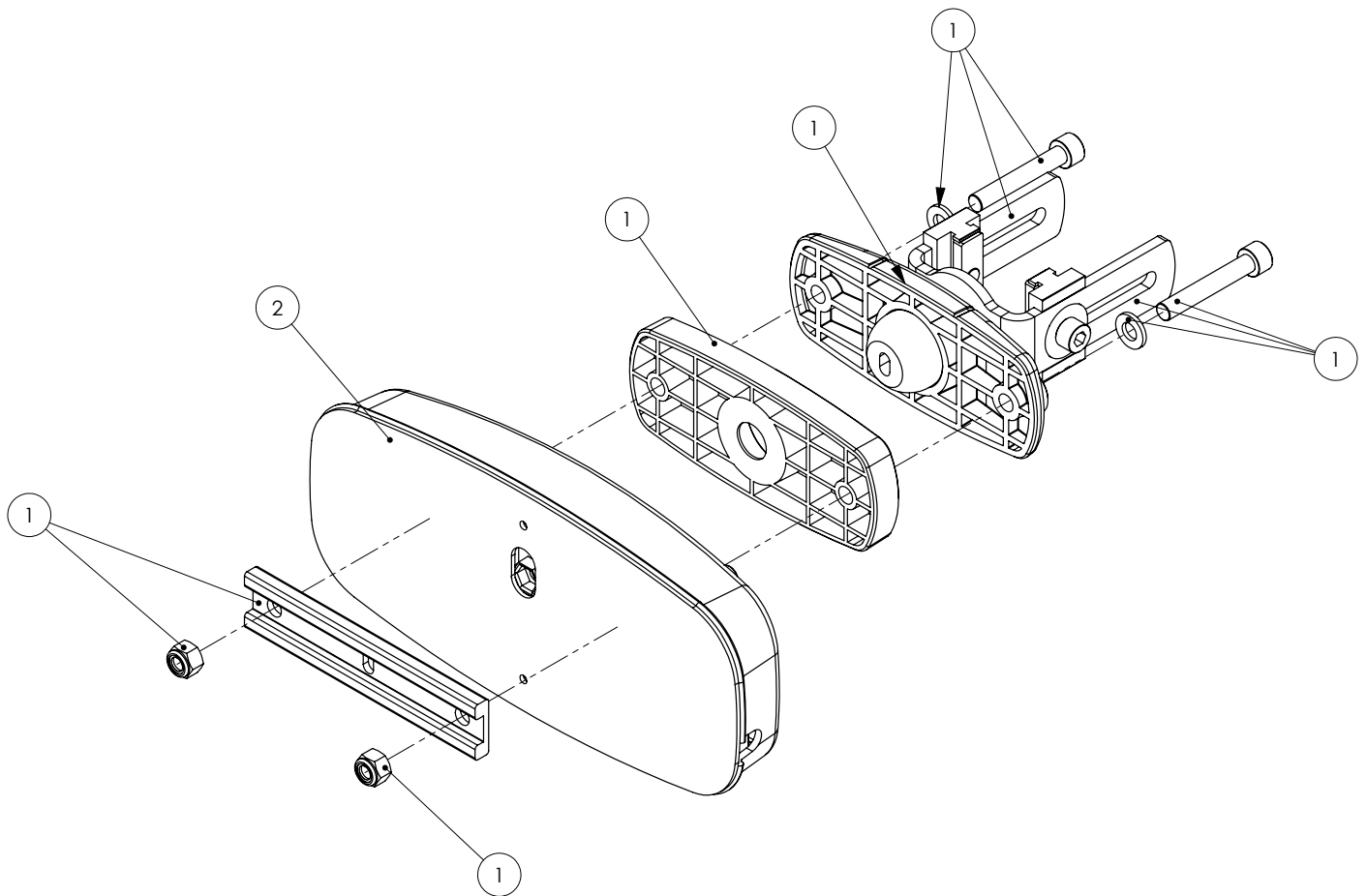
| Pos. | Leckey Code | Description | Qty |
|------|-------------|----------------------|-----|
| 1 | 161-1034 | Tray Bar Assembly RH | 1 |
| 2 | 161-1035 | Tray Bar Assembly LH | 1 |
| 3 | 161-1036 | Tray Bar Screw Kit | 1 |
| 4 | 161-1037 | Round Tube Insert | 1 |
| 5 | 161-1038 | Elbow Pad Kit | 1 |
| 6 | 133-196 | Tray- Black | 1 |
| 7 | 133-195 | Tray- Clear | 1 |

Standard Sacral Pad And Cover



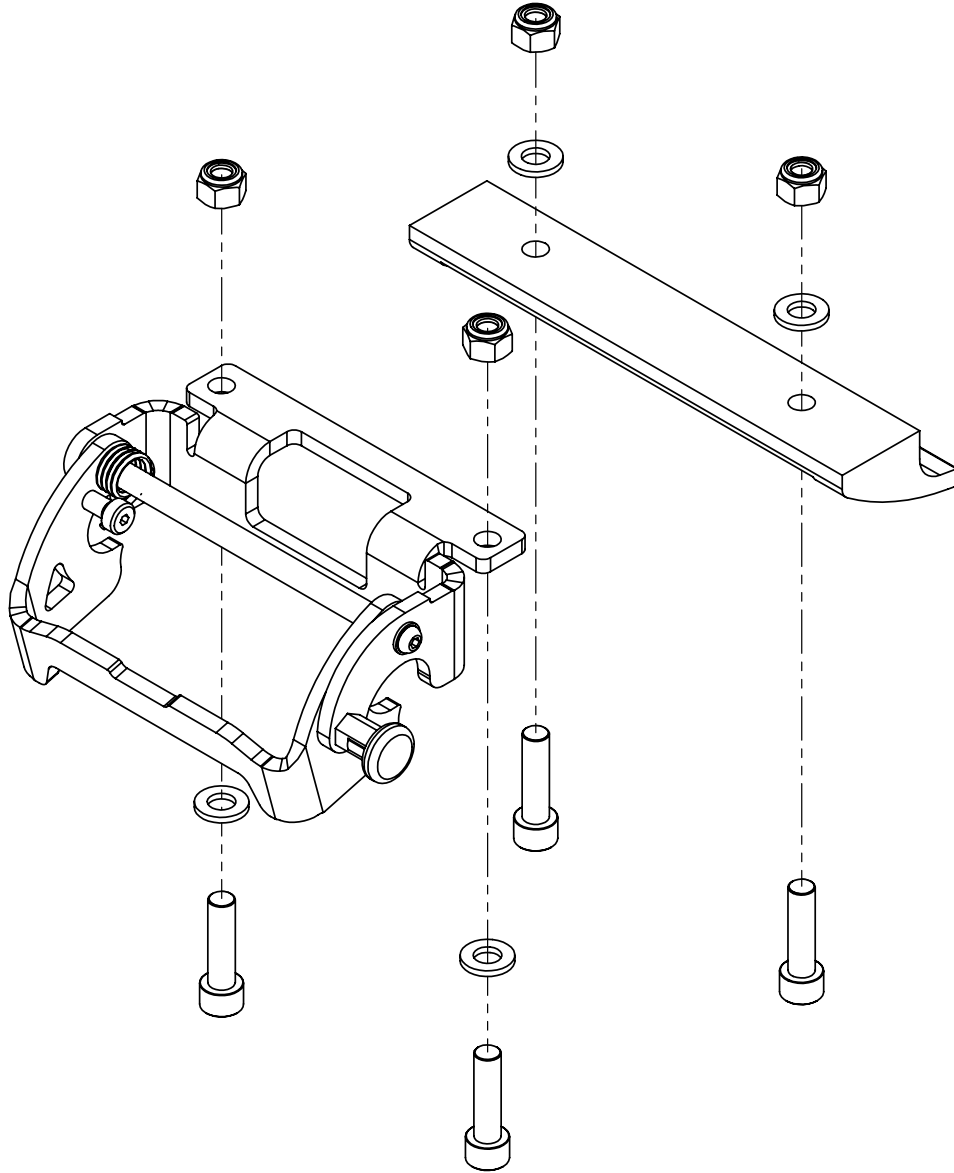
| Pos. | Leckey Code | Description | Qty |
|------|-------------|---------------------------------|-----|
| 1 | 161-1039 | Sacral Attachment Assembly | 1 |
| 2 | 161-1040 | Sacral Assembly (Hardware Only) | 1 |
| 3 | 161-971 | Sacral Pad Cover | 1 |

Angle Adjustable Sacral Assembly



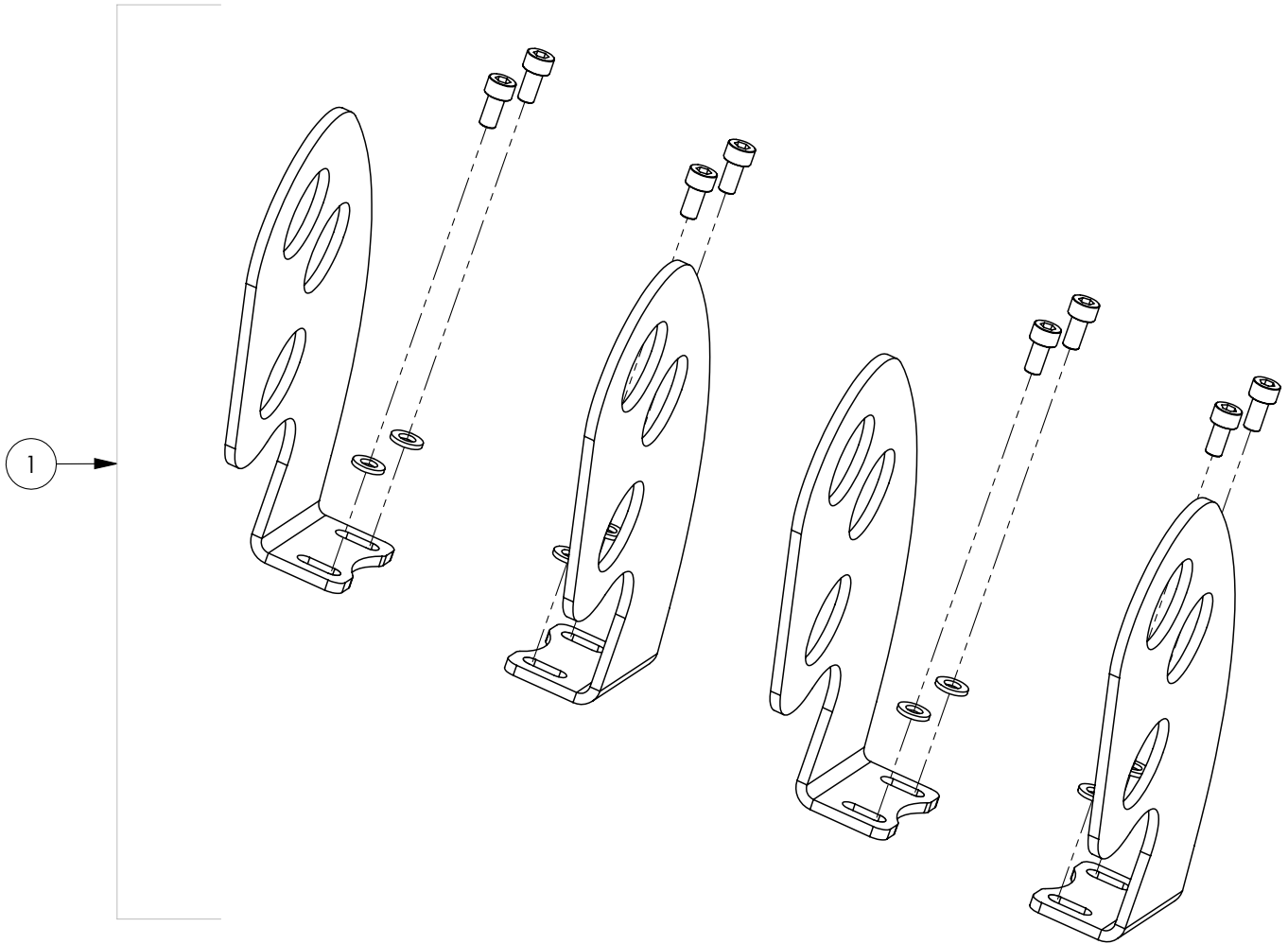
| Pos. | Leckey Code | Description | Qty |
|------|-------------|---------------------------------|-----|
| 1 | 161-1041 | Sacral Attachment Assembly | 1 |
| 2 | 161-1040 | Sacral Assembly (Hardware Only) | 1 |
| 3 | 161-971 | Sacral Pad Cover | 1 |

Interface Assembly



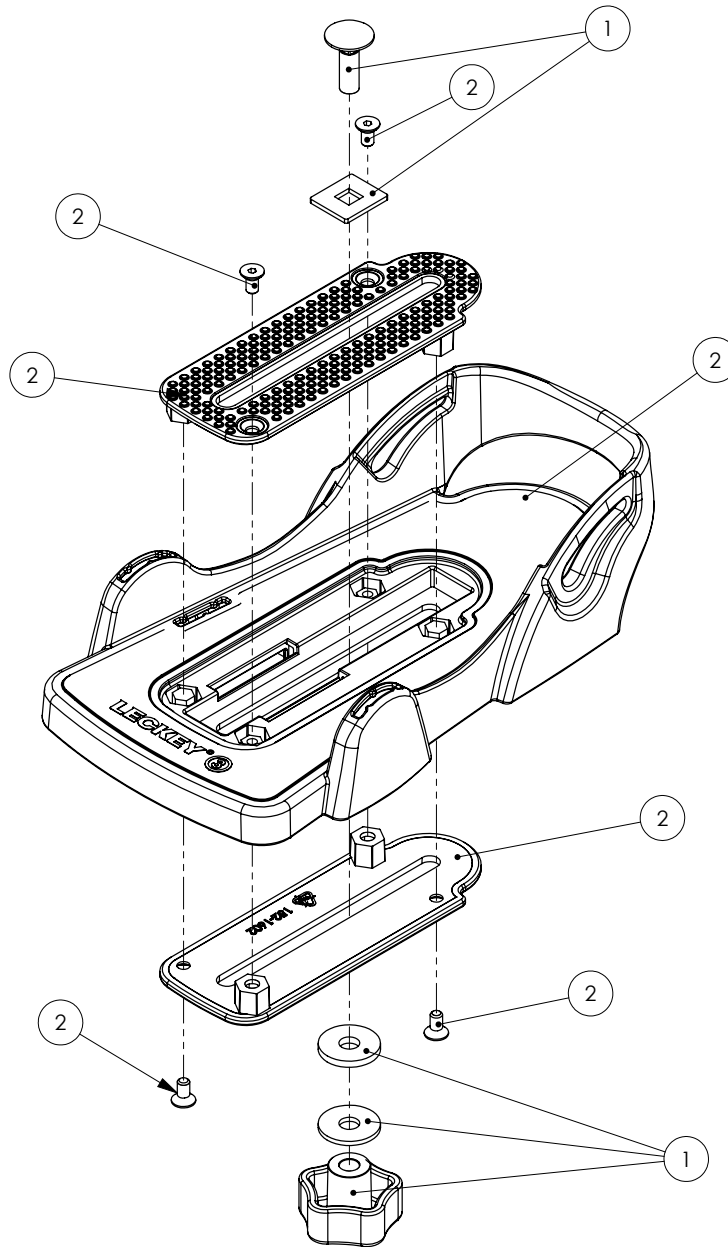
| Pos. | Leckey Code | Description | Qty |
|------|-------------|---------------------------|-----|
| 1 | 161-668 | Interface Replacement Kit | 1 |

Large Femoral Gables



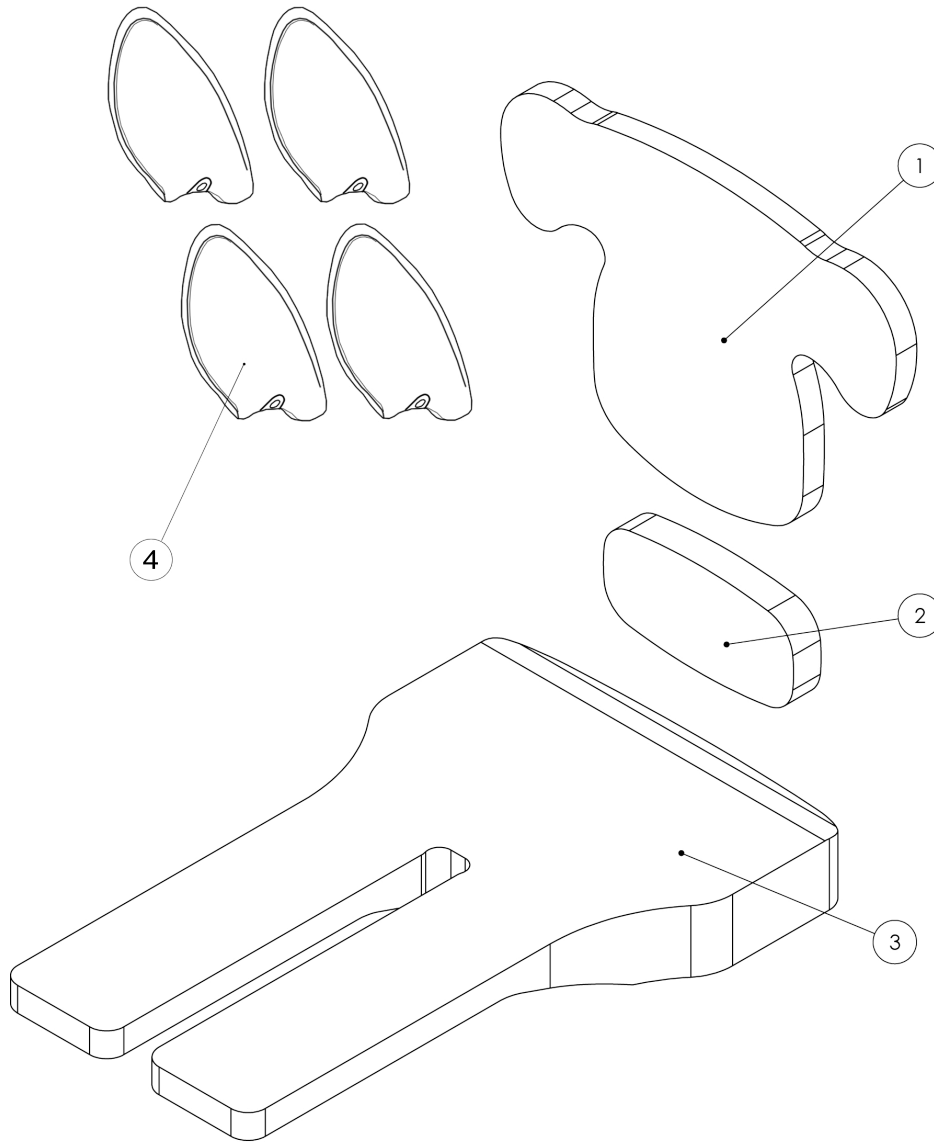
| Pos. | Leckey Code | Description | Qty |
|------|-------------|---|-----|
| 1 | 161-1042 | Large Femoral Replacement Kit (Hardware Only) | 1 |
| 2 | 161-965 | Large Femoral Cover Set | 1 |

Sandal Assembly



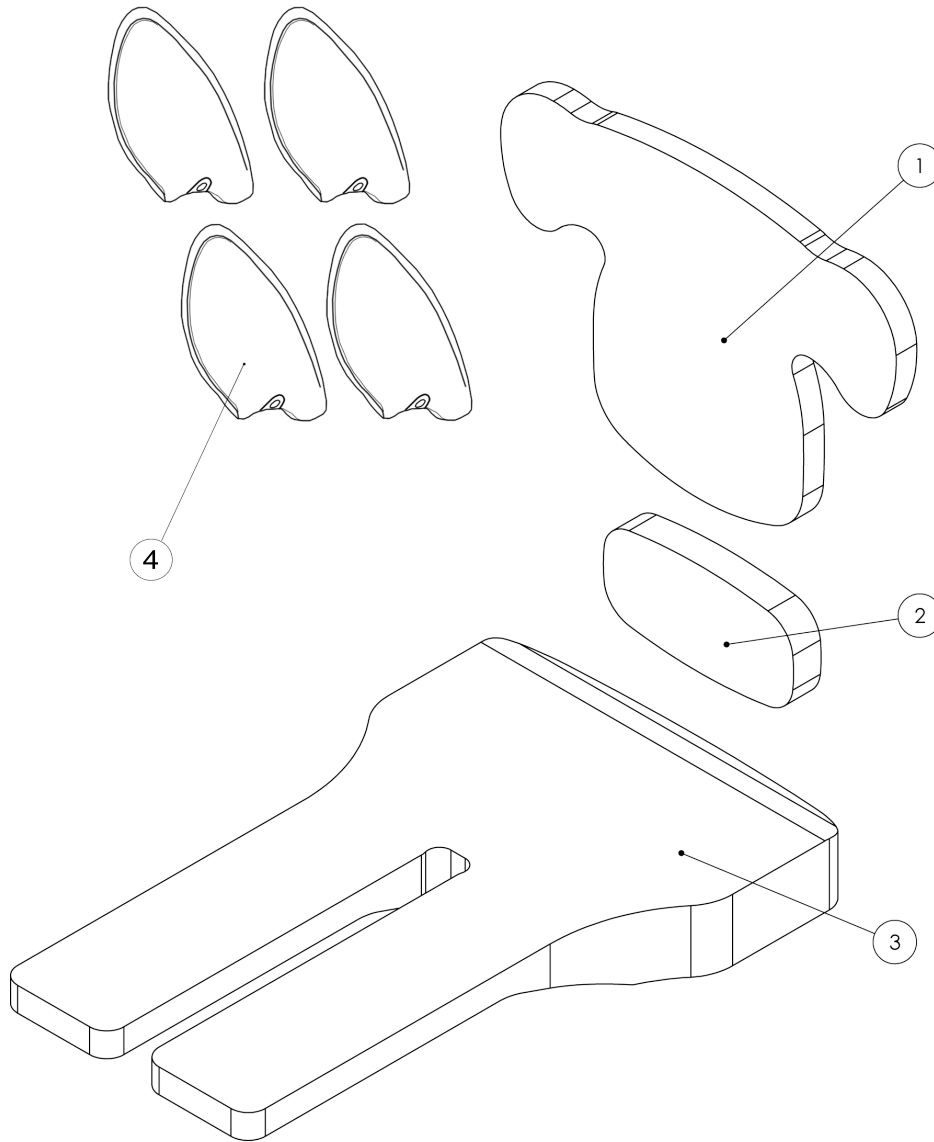
| Pos. | Leckey Code | Description | Qty |
|------|-------------|------------------------------|-----|
| 1 | 161-1043 | Sandal Adjustment Kit | 1 |
| 2 | 161-1044 | Sandal Replacement Kit | 1 |
| 3 | 161-1045 | Sandal Strap Replacement Kit | 1 |

Standard Cushion Set



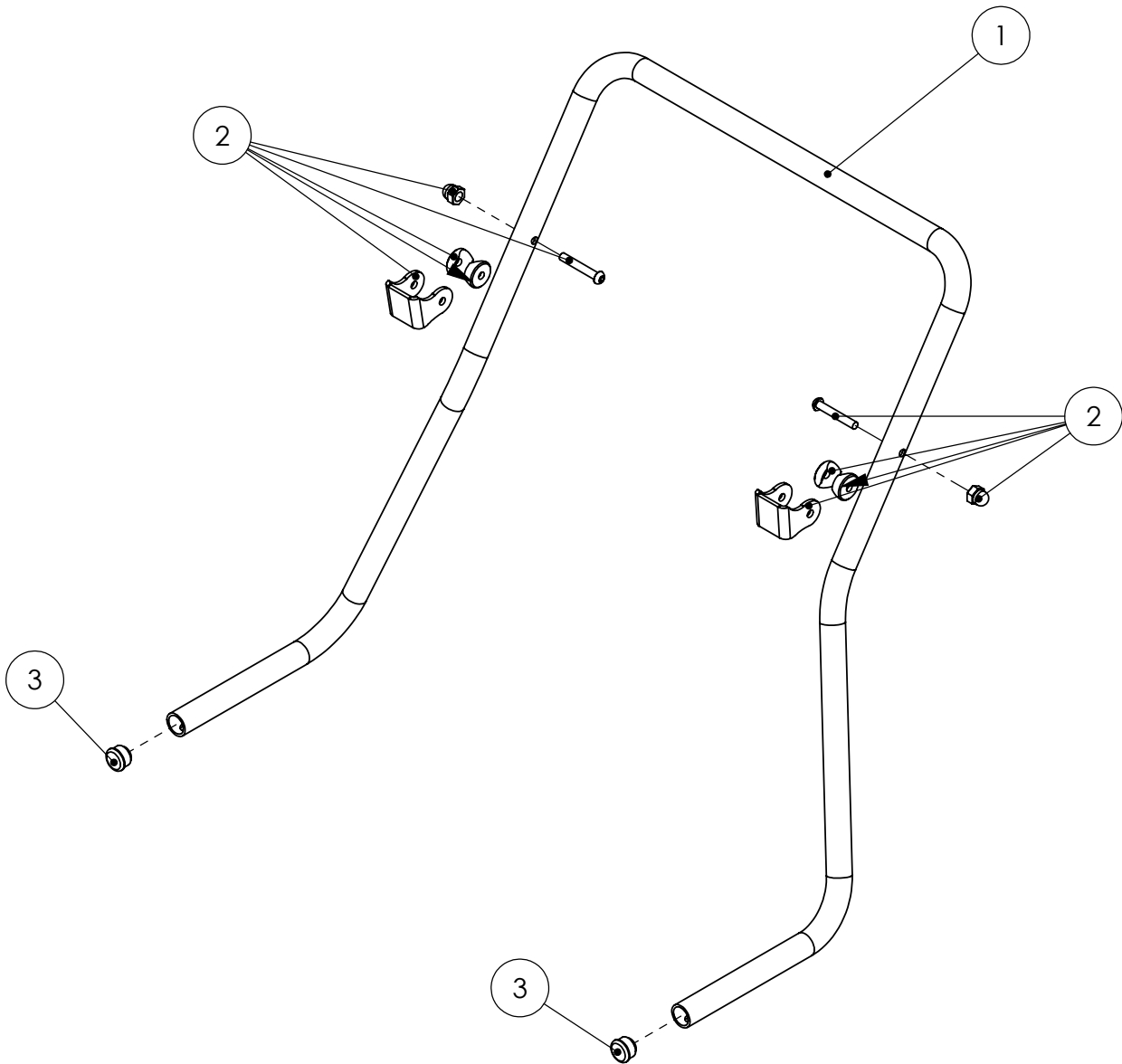
| Pos. | Leckey Code | Description | Qty |
|------|-------------|---|-----|
| 1 | 161-970-XX | Backrest Upholstery Kit | 1 |
| 2 | 161-971 | Sacral Upholstery Kit | 1 |
| 3 | 161-969-XX | Seat base Upholstery Kit (Standard Cushion) | 1 |
| 4 | 161-989 | Femoral Cover Set (4 of) | 1 |

Memory Foam Cushion Set



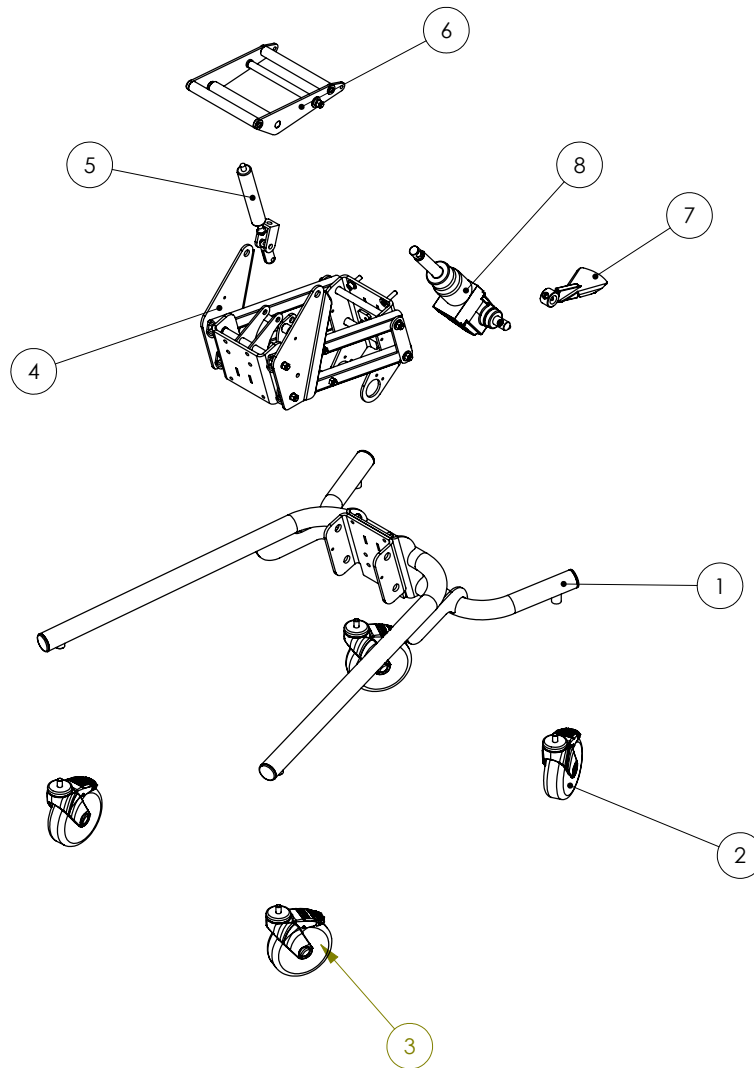
| Pos. | Leckey Code | Description | Qty |
|------|-------------|--|-----|
| 1 | 161-970-XX | Backrest Upholstery Kit | 1 |
| 2 | 161-971 | Sacral Upholstery Kit | 1 |
| 3 | 161-1046-XX | Seat base Upholstery Kit (Memory Foam Cushion) | 1 |
| 4 | 161-989 | Femoral Cover Set (4 of) | 1 |

Handle Bar Assembly



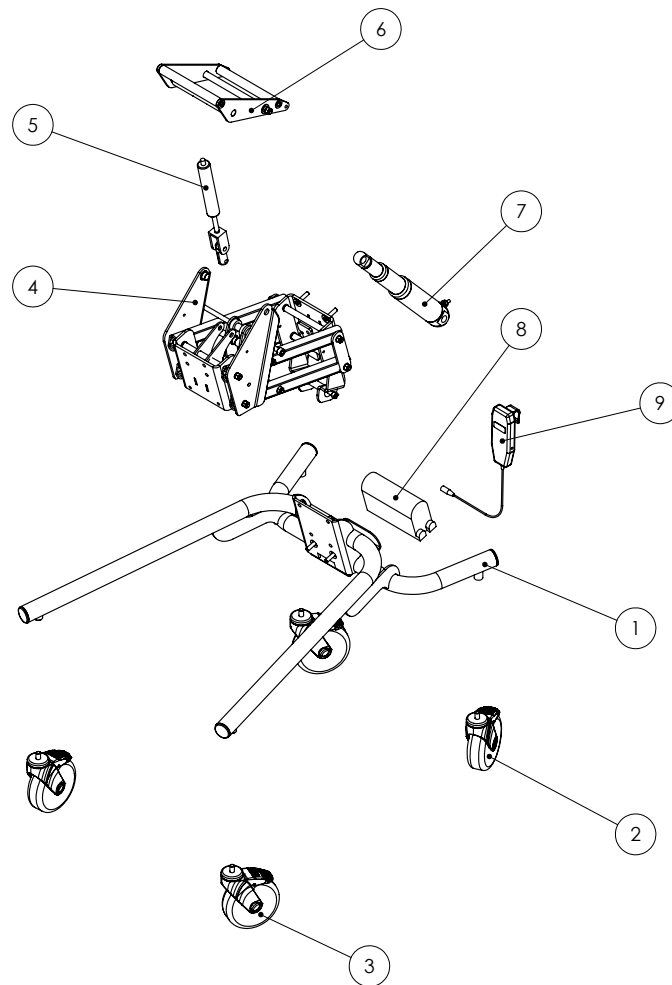
| Pos. | Leckey Code | Description | Qty |
|------|-------------|-----------------------------------|-----|
| 1 | 161-1050 | Handle Bar | 1 |
| 2 | 161-1051 | Handle Bar Hook Assembly (Single) | 1 |
| 3 | 161-1052 | Handle Bar Tube Inserts (Pair) | 1 |

Hydraulic Chassis



| Pos. | Leckey Code | Description | Qty |
|------|-------------|----------------------------|-----|
| 1 | 151-3838 | Chassis Assembly | 1 |
| 2 | IA31 | 5" Castor | 2 |
| 3 | IA62 | 5" Caster-Directional Lock | 2 |
| 4 | 151-3839 | Hi-Lo Assembly | 1 |
| 5 | 133-2100 | Tilt Gas Shock | 1 |
| 6 | 161-1047 | Interface | 1 |
| 7 | 133-2102 | Pedal | 1 |
| 8 | 133-2098 | Hydraulic Actuator | 1 |
| 9 | 161-1011 | Cable | 1 |
| 10 | 161-1010 | Release Lever | 1 |

Power Chassis



| Pos. | Leckey Code | Description | Qty |
|------|-------------|--|-----|
| 1 | 151-3838 | Chassis Assembly | 1 |
| 2 | IA31 | 5" Castor | 2 |
| 3 | IA62 | 5" Caster-Directional Lock | 2 |
| 4 | 151-3839 | Hi-Lo Assembly | 1 |
| 5 | 133-2100 | Tilt gas shock | 1 |
| 6 | 161-1047 | Interface | 1 |
| 7 | 161-1054 | Power Actuator | 1 |
| 8 | 161-1055 | Control Box & Battery (Charger Included) | 1 |
| 9 | 161-1056 | Handset | 1 |
| 10 | 161-1011 | Cable | 1 |
| 11 | 161-1010 | Release Lever | 1 |