

LECKEY^o

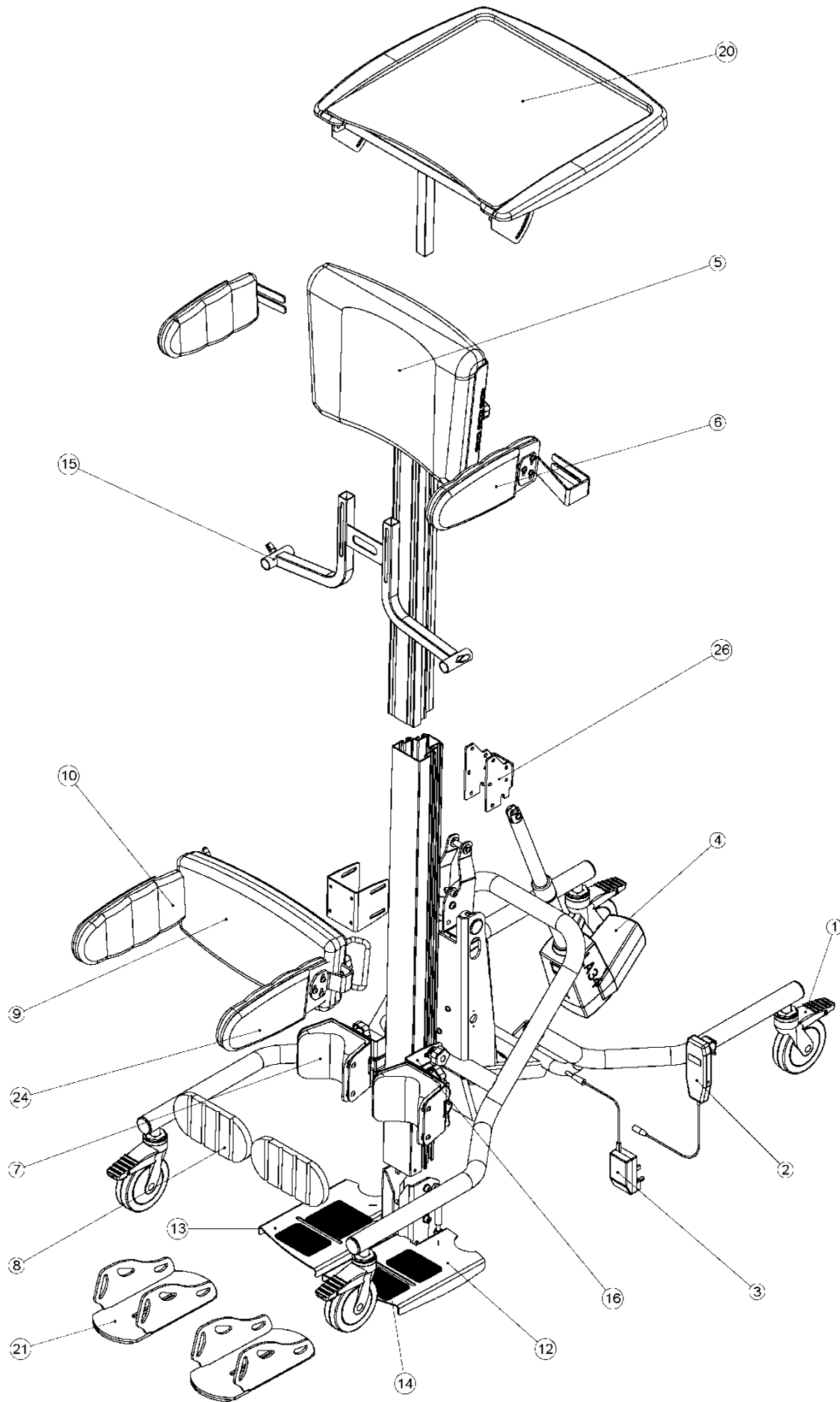
HORIZON STANDER Spare Parts Catalogue



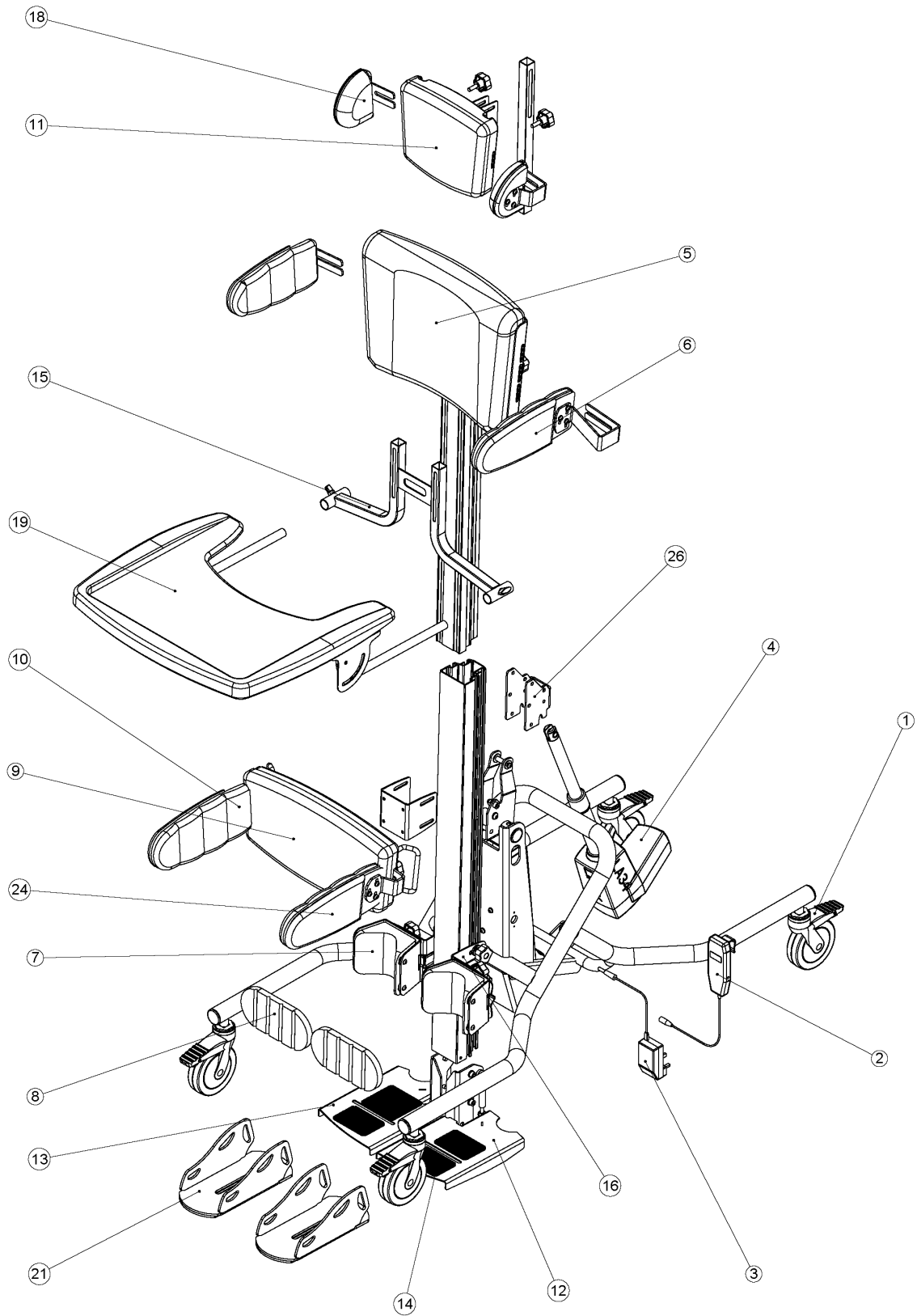
CONTENTS

02	Prone Assembly Diagram
03	Supine Assembly Diagram
04-05	Spare Parts Table

Prone Assembly Diagram



Supine Assembly Diagram



Pos	Leckey Code	Description	Qty	Compatible with		
				Size 1	Size 2	Size 3
1	IA13	Castor Size 1	1	✓		
1	IA31	Castor Size 2	1		✓	✓
2	SI154	Hand Set	1	✓	✓	✓
3	SI118	Charger UK	1	✓	✓	✓
3	SI125	Charger EUR	1	✓	✓	✓
3	SI126	Charger USA/JAPAN	1	✓	✓	✓
3	SI127	Charger AUS	1	✓	✓	✓
4	SI152	Actuator	1	✓	✓	✓
5	101-1932-XX	Chest Pad Complete Size 1	1	✓	✓	✓
5	101-2932-XXX	Chest Pad Complete Size 2 & 3	1	✓	✓	✓
6	101-1902-XX	Single Flexible Lateral Support with Chest Bracket (Left) Size 1	1	✓	✓	✓
6	101-1903-XX	Single Flexible Lateral Support with Chest Bracket (Right) Size 1	1	✓	✓	✓
6	101-2902-XX	Single Flexible Lateral Support with Chest Bracket (Left) Size 2	1	✓	✓	✓
6	101-2903-XX	Single Flexible Lateral Support with Chest Bracket (Right) Size 2	1	✓	✓	✓
6	101-3902-XXX	Single Flexible Lateral Support with Chest Bracket (Left) Size 3	1	✓	✓	✓
6	101-3903-XXX	Single Flexible Lateral Support with Chest Bracket (Right) Size 3	1	✓	✓	✓
7	101-1603-XX	Standard Size 1 Knee Assembly	1	✓	✓	✓
7	101-2603-XXX	Standard Size 2&3 Knee Assembly	1	✓	✓	✓
7	101-1604-XX	Medium Extended Size 1 Knee Assembly	1	✓	✓	✓
7	101-2604-XXX	Medium Extended Size 2&3 Knee Assembly	1	✓	✓	✓
7	101-1605-XX	Long Extended Size 1 Knee Assembly	1	✓	✓	✓
7	101-2605-XXX	Long Extended Size 2&3 Knee Assembly	1	✓	✓	✓
8	101-1640-XX	Front Knee Support Pad Size 1	1	✓		
8	101-2640-XXX	Front Knee Support Pad Size 2&3	1		✓	✓
9	101-1662-XX	Hip Pad Complete Size 1	1	✓	✓	✓
9	101-2662-XX	Hip Pad Complete Size 2	1	✓	✓	✓
9	101-3662-XXX	Hip Pad Complete Size 3	1	✓	✓	✓
10	101-1926-XX	Hip Lateral Support Assembly Complete Size 1	1	✓	✓	
10	101-2926-XX	Hip Lateral Support Assembly Complete Size 2	1	✓	✓	
10	101-3926-XXX	Hip Lateral Support Assembly Complete Size 3	2			✓
11	LHZ/1/118-XX	Supine Headsupport Size 1	1	✓	✓	✓
11	LHZ/2/118-XXX	Supine Headsupport Size 2 & 3	1	✓	✓	✓
12	101-1696	Standard Footplate Complete Size 1 (Left)	1	✓	✓	✓
12	101-2696	Standard Footplate Complete Size 2 (Left)	1	✓	✓	✓
13	101-1697	Standard Footplate Complete Size 1 (Right)	1	✓	✓	✓
13	101-2697	Standard Footplate Complete Size 2 (Right)	1	✓	✓	✓
14	101-1925	Footplate Rubber Mat (Set of 2) Size 1 & 2	1	✓	✓	✓
15	101-1617	Tray Height Adjustment Bracket Assembly Size 1	1	✓		

15	101-2617	Tray Height Adjustment Bracket Assembly Size 2 & 3	1		✓	✓
16	101-2223	Standard Knee Adjustment Bracket	1	✓	✓	✓
17	SI153	CBJ Control Box	1	✓	✓	✓
18	101-1912-XXX	Single Head Support Laterals Size 1-3	1	✓	✓	✓
19	LHZ/1/143	Horizon Supine Stander Tray Complete Size 1	1	✓		
19	LHZ/2/143	Horizon Supine Stander Tray Complete Size 2 & 3	1	✓	✓	✓
20	LHZ/1/158	Horizon Prone Stander Tray Complete Size 1	1	✓		
20	LHZ/2/158	Horizon Prone Stander Tray Complete Size 2 & 3	1	✓	✓	✓
21	RAS-4-1905	Abs Sandal Complete Size 1	1	✓	✓	✓
21	RAS-4-2905	Abs Sandal Complete Size 2 (LHZ/1 Standard)	1	✓	✓	✓
21	RAS-4-3905	Abs Sandal Complete Size 3 (LHZ/2 Standard)	1	✓	✓	✓
21	RAS-4-4905	Abs Sandal Complete Size 4 (LHZ/3 Standard)	1	✓	✓	✓
22	LHZ/1/181	Horizon Supine Stander Pelvic Belt Size 1	1	✓	✓	✓
22	LHZ/2/181	Horizon Supine Stander Pelvic Belt Size 2 (LHZ/1 Standard)	1	✓	✓	✓
22	LHZ/3/181	Horizon Supine Stander Pelvic Belt Size 3 (LHZ/2 Standard)	1		✓	✓
23	LHZ/1/182	Horizon Prone Stander Pelvic Belt Size 1	1	✓	✓	✓
23	LHZ/2/182	Horizon Prone Stander Pelvic Belt Size 2 (LHZ/1 Standard)	1	✓	✓	✓
23	LHZ/3/182	Horizon Prone Stander Pelvic Belt Size 3 (LHZ/2 Standard)	1		✓	✓
24	101-1732-XX	Single Flexible Lateral Support with Hip Bracket (Left) Size 1	1	✓	✓	
24	101-1733-XX	Single Flexible Lateral Support with Hip Bracket (Right) Size 1	1	✓	✓	
24	101-2732-XX	Single Flexible Lateral Support with Hip Bracket (Left) Size 2	1	✓	✓	
24	101-2733-XX	Single Flexible Lateral Support with Hip Bracket (Right) Size 2	1	✓	✓	
24	101-3732-XXX	Single Flexible Lateral Support with Hip Bracket (Left) Size 3	1			✓
24	101-3733-XXX	Single Flexible Lateral Support with Hip Bracket (Right) Size 3	1			✓
25	SI155	Horizon Replacement Battery	1	✓	✓	✓
26	101-2077	Spine Pivot Bracket	1	✓	✓	✓
27	LHZ Care Kit	Horizon Care Kit	1	✓	✓	✓