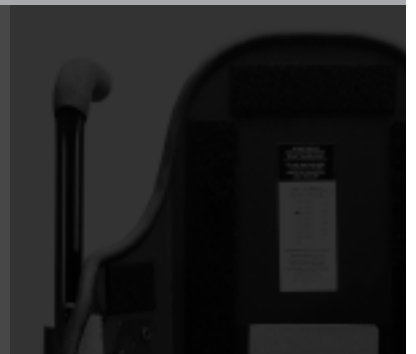


J2 Deep Contour Back

Jay® J2 Deep Contour Back

Owner's Manual

JAY®



 **SUNRISE
MEDICAL**
www.sunrisemedical.com

Improving People's Lives

Sunrise Medical recommends that a clinician such as a doctor or therapist experienced in seating and positioning be consulted to determine if a J2 Back is appropriate. Backs should only be installed by an authorized Sunrise Medical supplier.

THE JAY J2 DEEP CONTOUR BACK - 2300 SERIES MODELS

The Jay J2 Deep Contour Back is designed to provide the important benefits of a proper back support for a wide variety of users. It is designed to provide simple, comfortable and effective lateral support to help maximize function and increase sitting tolerance. In addition, it is light-weight, durable and easy to use.

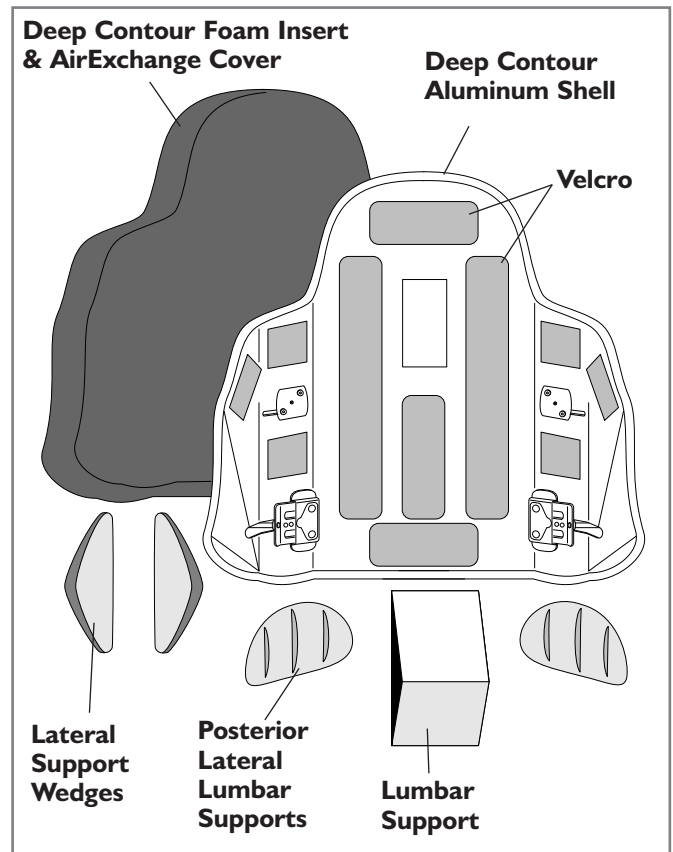
Maximum user weight: 250 lbs. (113 kg).

CAUTION

Installing a back support on a wheelchair may affect the center of gravity of the wheelchair and may cause the wheelchair to tip backwards potentially resulting in injury.

Always assess for the potential need for anti-tippers or amputee axle adapter brackets to be added to the wheelchair to help increase stability.

J2 DEEP CONTOUR BACK AND ACCESSORIES



MAINTENANCE AND CLEANING

MAINTENANCE AND TORQUE SPECIFICATIONS

Sunrise recommends that all fasteners be checked for wear, such as loose bolts or broken components every 6 months. Loose fasteners should be retightened according to the installation instructions. All fasteners should be tightened to 2.3 N-m (20 in-lbs). Contact your authorized Sunrise Medical supplier immediately to replace any broken components. Do not continue to use the system after identifying loose or broken components.

EASY CLEANING

To Clean Back Cover

Pull the foam insert away from Back shell. Unzip, and remove the foam. If applicable, remove lateral support wedges, turn cover inside out and zip it closed to avoid snagging. Machine wash in warm water. Dry in dryer on medium heat.

NOTE- Do not dry clean covers or use industrial washers and dryers to clean cover. Do not steam autoclave. Do not bleach.

After cleaning, insert the back into the cover and zip closed. The "Top" label on the cover should be at the top, rear of the foam. Ensure that the cover fits properly by aligning the seams with the edge of the foam.

Place foam insert on shell. Ensure that "Top" label on cover is at the top of the Back shell. Press into the Back shell, matching the Velcro® strips on the cover with the Velcro® strips on the shell. Insert the lateral support wedges into the lateral support pockets as necessary.

To Clean Back Shell

Shell may be wiped clean with soap and water. No other maintenance should be required.

DETERMINING COMPATIBILITY

Wheelchair Types

The J2 Back is designed to be compatible with most wheelchairs with the following exceptions:

Wheelchairs that are angularly adjustable, recline or tilt and result in a back angle greater than 60 degrees from the vertical should not be used.

WARNING

Use with these types of wheelchairs may cause the back to accidentally disconnect from the wheelchair resulting in a fall and the potential for serious injury.

The J2 Back has not been tested for use as seating in a motor vehicle. As a result the performance of the back in combination with wheelchairs that are labeled for transit use when used as a seat in a motor vehicle is unknown. Sunrise Medical recommends that users not occupy a wheelchair in a motor vehicle when using the J2 Back.

WARNING

Using a J2 Back as seating in a motor vehicle may cause the back to accidentally disconnect from the wheelchair resulting in a fall and the potential for serious injury.

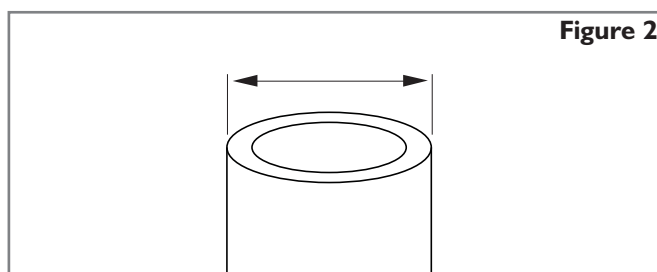
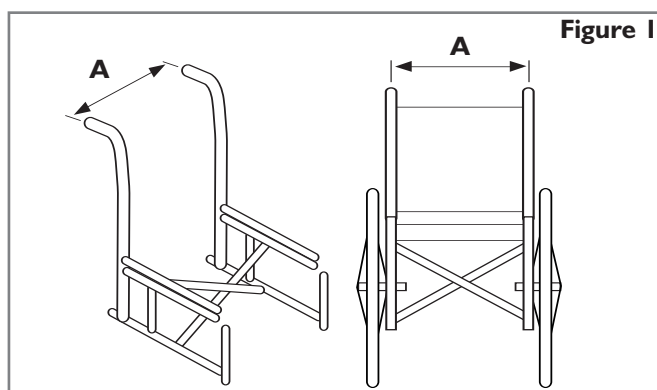
Wheelchair Dimensions

The J2 Back is designed to replace the wheelchair's sling upholstery. The mounting hardware system is designed for tubular back canes. Prior to installation determine if the wheelchair used has compatible back canes. Start by checking the table below to see if the back canes are a correct width.

Next check that the back canes are a compatible diameter. The strap style back mounting hardware may be used on back canes from 0.62 to 1.1 inches (16mm to 28mm) in diameter. (Fig. 2)

If you cannot determine that the back canes are compatible please contact your authorized Sunrise Medical provider or Sunrise Medical customer service.

Back Model Number	Width of back canes from center to center of the tubes (Fig. 1-A)			
	Minimum width		Maximum width	
	inch	cm	inch	cm
2314K	12.3	34.2	13.5	37.4
2315K	13.3	35.2	14.5	38.4
2316K	14.3	36.2	15.5	39.4
2317K	15.3	37.2	16.5	40.4
2318K	16.3	38.2	17.5	41.4
2319K	17.3	39.2	18.5	42.4
2320K	18.3	40.2	19.5	43.4



FITTING THE J2 DEEP CONTOUR BACK TO THE WHEELCHAIR

The J2 Deep Contour Back was designed to fit on almost any wheelchair design. It has 6 different top hook options and 3 bottom pin options which allow it to be installed on various width wheelchairs. This capability enhances the fit of the Back to the body and the fit of the Back to the wheelchair. Long and short hooks are used to help increase or decrease recline. Short hooks are used in conjunction with back posts that have a bend in them. Long hooks are used with straight back posts. Additionally, there are short and long 1/2" and 1" (1.2 and 2.5 cm) offset hooks. The off-set hooks make it possible to install a narrower back on a wider wheelchair.

See the matrix below for appropriate back to chair guidelines. Also, 1/2" and 1" (1.2 and 2.5 cm) extended bottom pins are available to accommodate installation on a wider wheelchair. Consult your Medical Equipment Supplier for help in ordering and installing optional hardware or call Jay Customer Service for more information. 1-800-648-8282.

NOTE- The widest and narrowest settings are accomplished by adjusting the top adjusters and bottom pins. The short and long hook options do not affect any width adjustment dimensions.

CAUTION- Do not use the off-set hook & pins to mount the J2 Deep Contour Back to a wheelchair wider than 20" (50cm). This may cause the back to fail as it is not designed to accommodate chairs with user weight ratings exceeding 250 lbs (113kg).

HOOK & PIN APPLICATION MATRIX

Part #	Size	Narrowest Setting	Widest Setting	1/2" (1.2cm) off-set Hook & Pin	1"(2.5cm) off-set Hook & Pin
2314	14" wide (35cm)	13" (33cm)	14.5" (37cm)	15.5" (39cm)	16.5" (42cm)
2315	15" wide (38cm)	14" (35cm)	15.5" (39cm)	16.5" (42cm)	17.5" (44cm)
2316	16" wide (40cm)	15" (38cm)	16.5" (42cm)	17.5" (44cm)	18.5" (47cm)
2317	17" wide (43cm)	16" (40cm)	17.5" (44cm)	18.5" (47cm)	19.5" (49cm)
2318	18" wide (45cm)	17" (43cm)	18.5" (47cm)	19.5" (49cm)	20.5" (52cm)
2319	19" wide (48cm)	18" (45cm)	19.5" (49cm)	20.5" (52cm)	N/A
2320	20" wide (50cm)	19" (48cm)	20.5" (52cm)	N/A	N/A

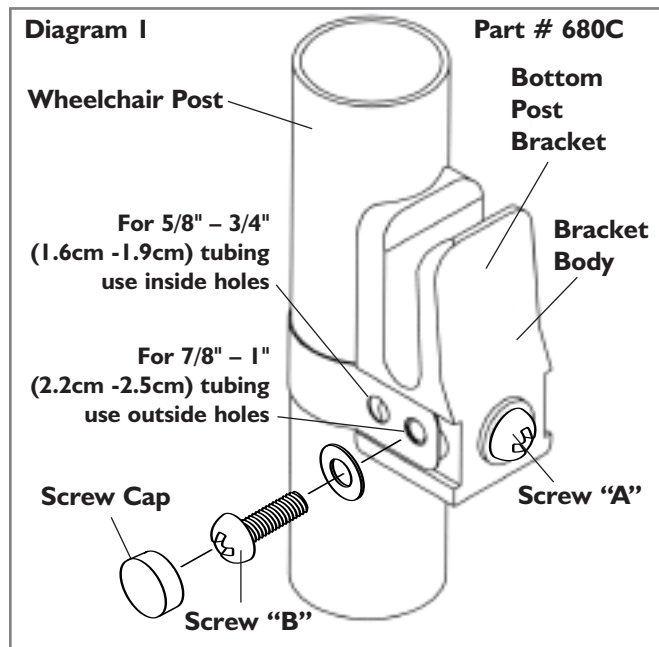
INSTALLATION AND ADJUSTMENT

INSTALLING THE DEEP CONTOUR BACK

The J2 Deep Contour Back is designed to replace the wheelchair's sling upholstery. The initial installation should be done without the foam insert in the Back shell. Tighten all fasteners to 20 in.-lbs. (2.3 N.m) using a Phillips No. 2 screwdriver.

Installing the bottom Universal Post Bracket hardware

1. Remove the upholstery from the back of the wheelchair.
2. Attach one bottom universal post bracket to the bottom of each back post of the wheelchair. (Diagram I)
 - a) The universal hardware is designed to fit on 5/8", 3/4", 7/8" and 1" (1.6, 1.9, 2.2 and 2.5 cm) diameter back post tubing. (The bracket comes assembled to attach to 7/8" or 1" {2.2 or 2.5 cm} tubing.) Check diagram I to determine which strap hole is appropriate for the installation. Wrap the strap around the wheelchair post. Screw "A" may have to be loosened to align the strap hole with the barrel nut located inside the post bracket body. Place a washer on screw "B" and insert the screw through the appropriate hole in the strap.
 - b) Tighten screw "B" into the barrel nut through the side of the post bracket body. Tighten the opposite screw if necessary.
 - c) Snap the screw caps over both screw heads.
 - d) To adjust the height of the bracket, loosen screw "A" until the bracket slides freely on the back post. Once the proper height of the back is determined, tighten the screw. All future adjustments of the back height are done with screw "A".



INSTALLING AND ADJUSTING THE DEEP CONTOUR BACK

Installing the Deep Contour Back.

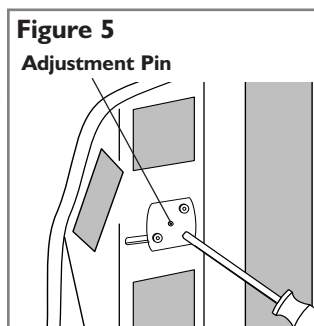
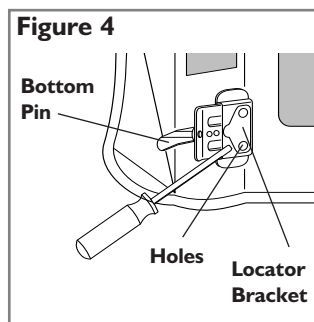
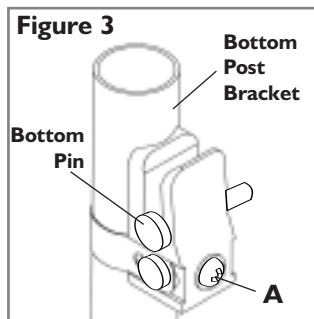
Place the J2 Deep Contour Back in the wheelchair so that the bottom pins slide into the the bottom Universal Post Bracket hardware receivers. The Back's top hooks should rest against the wheelchair back posts. The bottom pin head should extend past the outside edge of the post bracket receiver (Fig. 3). The Deep Contour Back may require some simple adjustments. If the bottom pin head does not extend past or extends too far, adjust the bottom width as instructed in "Adjusting the bottom width".

Adjusting the bottom width

1. Remove the Back from the wheelchair.
2. Using a screwdriver tip, lift tab on Back's bottom pin locator bracket
3. The pin should slide in or out of the locator bracket to adjust the Back's Hardware width.
4. Center the Back on the wheelchair by exposing an equal number of holes (Fig. 4) on each locator bracket.

Adjusting the top width

1. Using a screwdriver tip, depress the silver pin (Fig. 5) in the adjustment hole on the inside of the Back Shell adjacent to the top hook hardware.
2. The top hook assembly can now slide into a wider or narrower pin location. Center the Back on the wheelchair by placing the pin in the same location on each side of the Back.



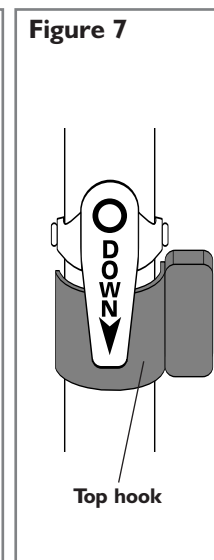
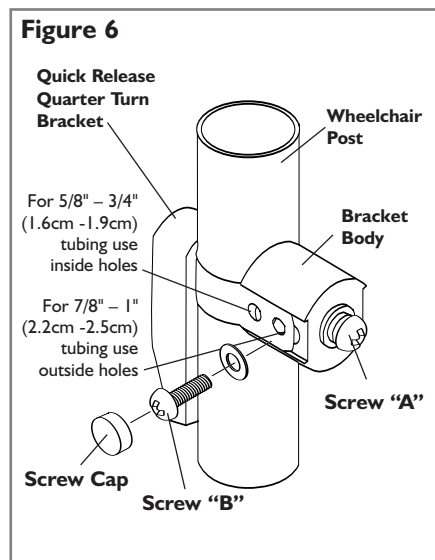
INSTALLING THE TOP QUICK-RELEASE QUARTER TURN BRACKET HARDWARE

1. Attach one top quick-release quarter turn bracket to each upright post of the wheelchair.
 - a. The top quick-release quarter turn bracket is designed to fit on 5/8", 3/4", 7/8" and 1" (1.6, 1.9, 2.2 and 2.5 cm) diameter back post tubing. (The bracket comes assembled to attach to 7/8" or 1" (2.2 or 2.5cm) tubing) Check diagram 1 to determine which strap hole is appropriate for the installation. Wrap the strap around the wheelchair post. Screw "A" may have to be loosened to align the strap hole with the barrel nut located inside the bracket body. Place a washer on screw "B" and insert the screw through the appropriate hole in the strap.
 - b. Tighten screw "B" (to 2.3 N-m (20 in-lbs)) into the barrel nut through the side of the bracket body. Tighten the opposite screw if necessary.
 - c. Snap the screw caps over both screw heads.
 - d. To adjust the height of the bracket, loosen screw "A" until the bracket slides freely on the back post. Once the proper height of the back is determined, tighten the screw firmly to 2.3 N-m (20 in-lbs). All future adjustments of the back height are done with screw "A".
 - e. Always turn the quick-release quarter turn bracket to the "DOWN" position (Fig. 7) to secure the top hook in place.

CAUTION- The top quick-release quarter turn brackets must be in their downward position when the back is in use. Improper use may cause the back to unexpectedly detach from the wheelchair.

CAUTION- Do not use J2 Deep Contour Back to push or lift wheelchair. Improper use may cause the back to unexpectedly detach from the wheelchair.

NOTE- The back is properly secured when the bottom pins are resting in the lower post brackets and the upper quick-release quarter turn brackets are installed above the back support's top hook brackets with the quick release mechanism pointing down.

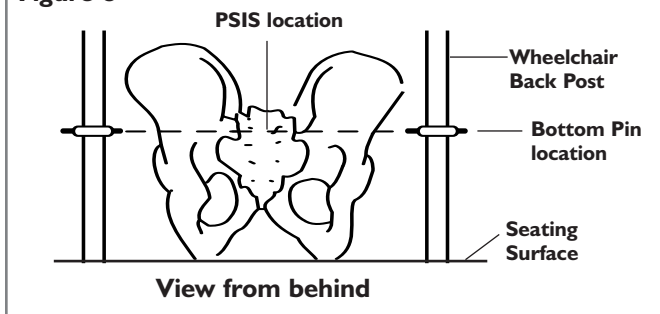


FITTING THE J2 DEEP CONTOUR BACK TO THE USER

Fitting the Back Height

1. When the Back is properly adjusted, the top hooks should rest against the wheelchair back posts.
2. Re-install the Deep Contour Back foam insert.
3. Position the user's hips to the back of the wheelchair.
4. Adjust the back height, with the top and bottom hardware loose enough to slide on the back posts. The Back is designed to be fit at a height that supports the pelvis in its optimal position. In doing so, the recline feature may be incorporated without affecting pelvic position. Typically, for the user with little or no posterior pelvic tilt, or a flexible posterior pelvic tilt, the Deep Contour Back is positioned so that the bottom pins on the Back shell (Fig. 8) are at a height that strikes a level line across the PSIS (the PSIS is near the top, rear and central area of the pelvis (Fig. 8) or the S1-S2 level of the spine. At this point, when the Back is reclined to open up the seat to back angle, the pelvis is supported in the neutral position. This helps keep weight off the coccyx (tail bone) and maintain a stable pelvis.
5. Once the proper height has been established, tighten screws "A" on the top and bottom hardware.

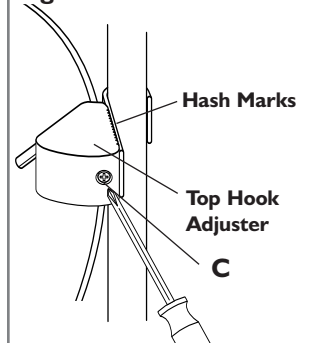
Figure 8



Adjusting the Back Angle

To recline the Deep Contour Back, simply turn screw "C" located at the back of the top hook adjusters (Fig. 9) at the rear of the Back. Turning the screw clockwise will make the Back more vertical. Turning the screw counter clockwise will recline the Back. Hash marks on the side of the adjuster blocks help ensure that the Back is evenly adjusted.

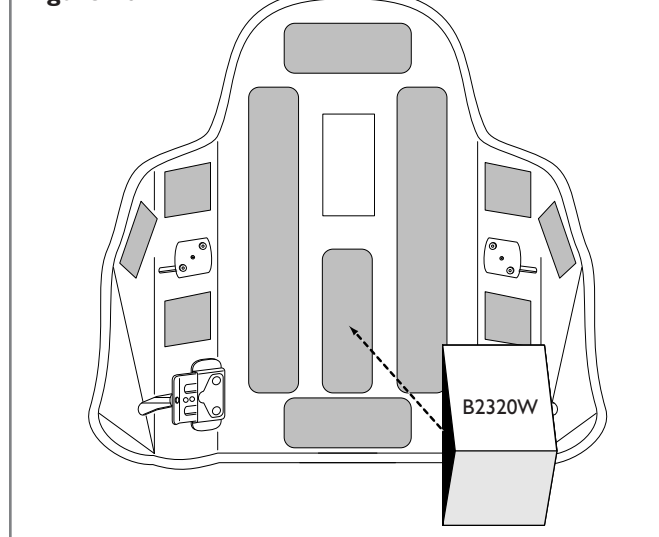
Figure 9



Assessing for additional lumbar support

1. Detach the Back foam insert from the Back shell. The lumbar support Velcros directly to the Back shell behind the foam insert.
2. Attach the lumbar support to the Back shell with the part number (B2320W) on top, facing up (Fig. 10).
3. Re-attach the Deep Contour foam insert. Adjust as necessary.

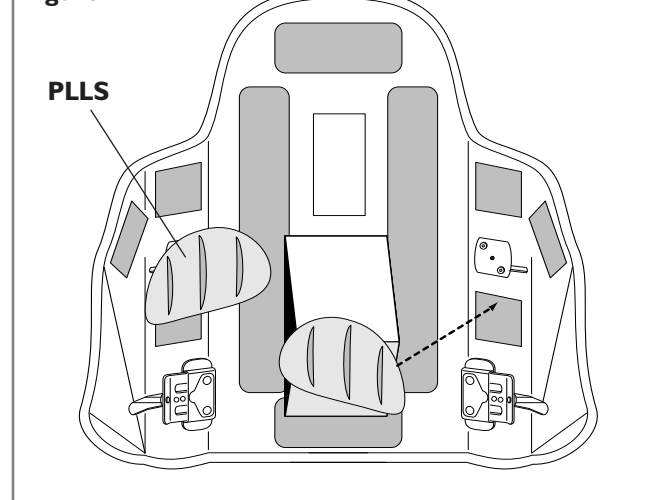
Figure 10



Assessing for Posterior Lateral Lumbar Support

1. The PLLS, Posterior Lateral Lumbar Supports, are a set of additional supports that Velcro to the Back shell adjacent and on each side of the lumbar support. The PLLS is designed to provide increased pelvic stability lateral of the lumbar sacral spine area. The PLLS accessories may be moved horizontally or vertically on the Back shell to accommodate a variety of body shapes and sizes. The additional stability helps keep the pelvis centrally located in the wheelchair and enhances the Back foam contour, resulting in a more intimate fit of the Back to the body.
2. Detach the Deep Contour Back foam from the Back shell. Attach the PLLS accessories (Fig. 11) as necessary.
3. Re-attach the Back foam.

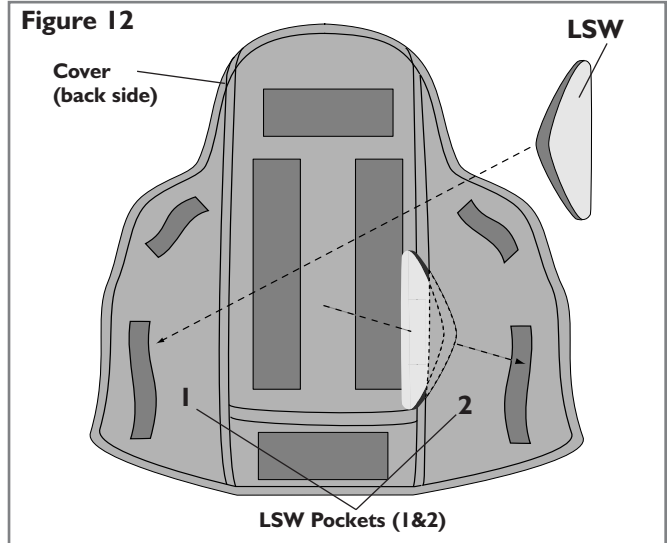
Figure 11



Assessing for additional lateral trunk support

1. The LSW, Lateral Support Wedge, is a set of additional supports that Velcro® inside of pockets sewn into the Back cover behind the lateral walls of the Deep Contour foam insert. LSW sets are appropriate when the user's trunk is substantially narrower than the width of the Deep Contour Back. The LSW's fit between the back foam at the lateral wall and the inside of the Back shell. The LSW's help narrow the back width to help increase trunk stability.
2. Detach the Back foam insert from the Back shell.
3. Locate the pockets (see illustration 1 & 2 of Figure 12) in the cover at the lateral walls of the cushion.
4. Insert the left support into the left pocket (Fig. 12) and the right support into the right pocket.
5. Re-attach the Deep Contour foam insert. Adjust as necessary.

NOTE- *When the Deep Contour Back is fully assembled, no accessories are visible. It is very easy to re-assess and adjust the fitting because the cover never has to be removed from the foam insert. The user never needs to move from the wheelchair.*



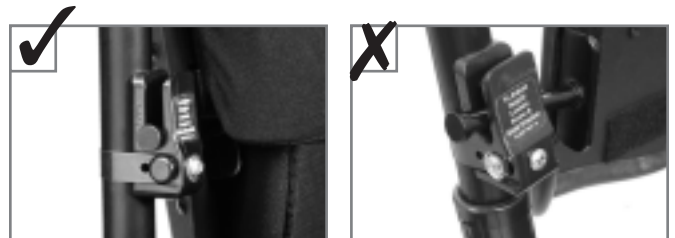
REMOVAL AND REPLACEMENT

REMOVAL AND REPLACEMENT

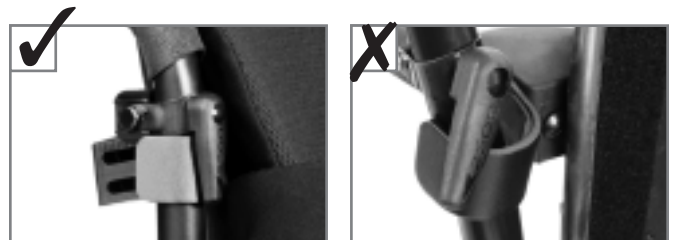
Following installation and adjustment, the J2 Deep Contour Back can be easily removed from the wheelchair if necessary. Simply rotate the top quick release quarter turn brackets away from the top hooks and lift the Back up and out of the wheelchair. To re-install the Back, lower the Back bottom pins into the bottom Universal Post Bracket receivers and rest the top hooks against the wheelchair back posts. Rotate the quick release brackets into the "Down" position. When installed correctly, the quick release bracket should cover the top hook. The Back angle will not change when removed and re-installed on the wheelchair.

Proper reattachment after removal

Check to make sure the pin attached to the backrest is resting completely at the bottom of the slotted receptacle attached to the wheelchair back cane.



Check to make sure that the quarter fastener attached to the wheelchair back cane is turned downward in its locked position.



24 MONTH LIMITED WARRANTY

Each Jay J2 Deep Contour Back is carefully inspected and tested to provide peak performance. Every Jay J2 Deep Contour Back is guaranteed to be free from defects in materials and workmanship for a period of 24 months from the date of purchase, provided normal use. Should a defect in materials or workmanship occur within 24 months from the original date of purchase, Sunrise Medical will, at its option, repair or replace it without charge. This warranty does not apply to punctures, tears or burns, nor to the back's removable cover.

Claims and repairs should be processed through the nearest authorized supplier. Except for express warranties made herein, all other warranties, including implied warranties of merchantability and warranties of fitness for a particular purpose are excluded. There are not warranties which extend beyond the description on the face hereof. Remedies for breach of express warranties herein are limited to repair or replacement of the goods. In no event shall damages for breach of any warranty include any consequential damages or exceed the cost of non-conforming goods sold.

Sunrise Medical Inc.
7477 East Dry Creek Parkway
Longmont, Colorado 80503
USA
(800) 333-4000
In Canada (800) 263-3390
www.sunrisemedical.com



www.sunrisemedical.com

©2006 Sunrise Medical Inc. 9.06
XT2305 Rev. B